



US00D441991S

(12) **United States Design Patent**
Fan

(10) **Patent No.:** **US D441,991 S**

(45) **Date of Patent:** **** May 15, 2001**

(54) **COMPUTER TABLE**

6,003,452 * 12/1999 Moore 108/92

(75) Inventor: **Te-Sheng Fan**, Kaohsiung Hsien (TW)

OTHER PUBLICATIONS

(73) Assignee: **Jyi Lin Furniture Corporation**,
Kaohsiung Hsien (TW)

Fidelity, 1983, p. 52, computer table at lower left.*

(**) Term: **14 Years**

* cited by examiner

(21) Appl. No.: **29/129,009**

Primary Examiner—Janice E. Seeger

(74) *Attorney, Agent, or Firm*—Trop, Pruner & Hu, P.C.

(22) Filed: **Sep. 1, 2000**

(57) **CLAIM**

(51) **LOC (7) Cl.** **06-03**

The ornamental design for computer table, as shown and described.

(52) **U.S. Cl.** **D6/477; D6/474; D6/482;**
D6/486

DESCRIPTION

(58) **Field of Search** D6/422–428, 480–489,
D6/495–499, 474, 477; 312/194–196, 208.1;
108/50.01, 50.02, 153.1, 156, 157.1, 161;
248/188, 188.1, 188.7

FIG. 1 is a perspective view of computer table showing my new design;

FIG. 2 is a front elevational view thereof;

FIG. 3 is a rear elevational view thereof;

FIG. 4 is a left side elevational view thereof;

FIG. 5 is a right side elevational view thereof;

FIG. 6 is a bottom plan view thereof;

FIG. 7 is a top plan view thereof; and,

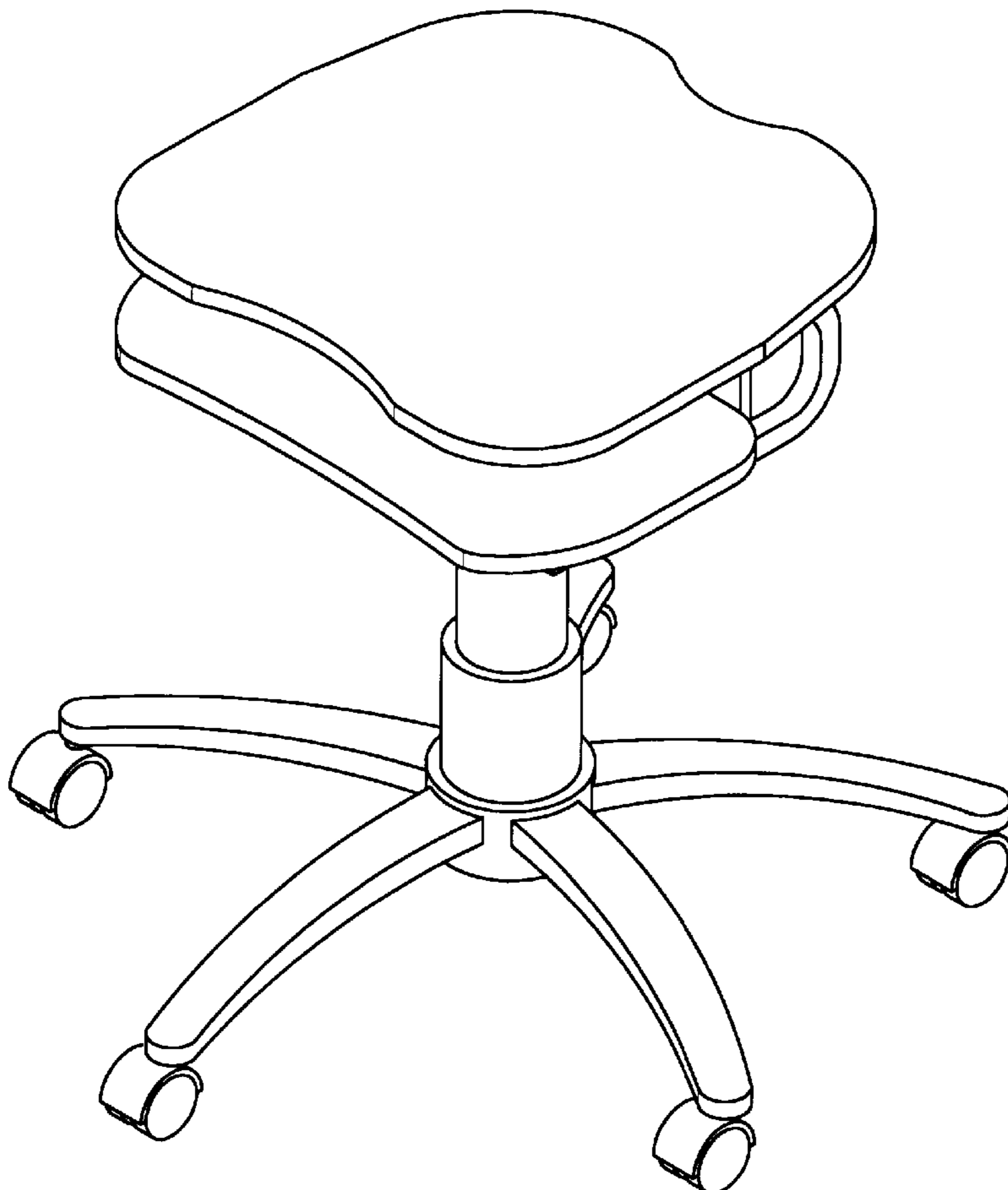
FIG. 8 is another perspective view in use.

(56) **References Cited**

U.S. PATENT DOCUMENTS

- D. 280,478 * 9/1985 Stephens D6/477
- D. 301,414 * 6/1989 Maltese D6/420
- D. 344,420 * 2/1994 Rodriguez D6/474
- D. 396,576 * 8/1998 Moore D6/422

1 Claim, 5 Drawing Sheets



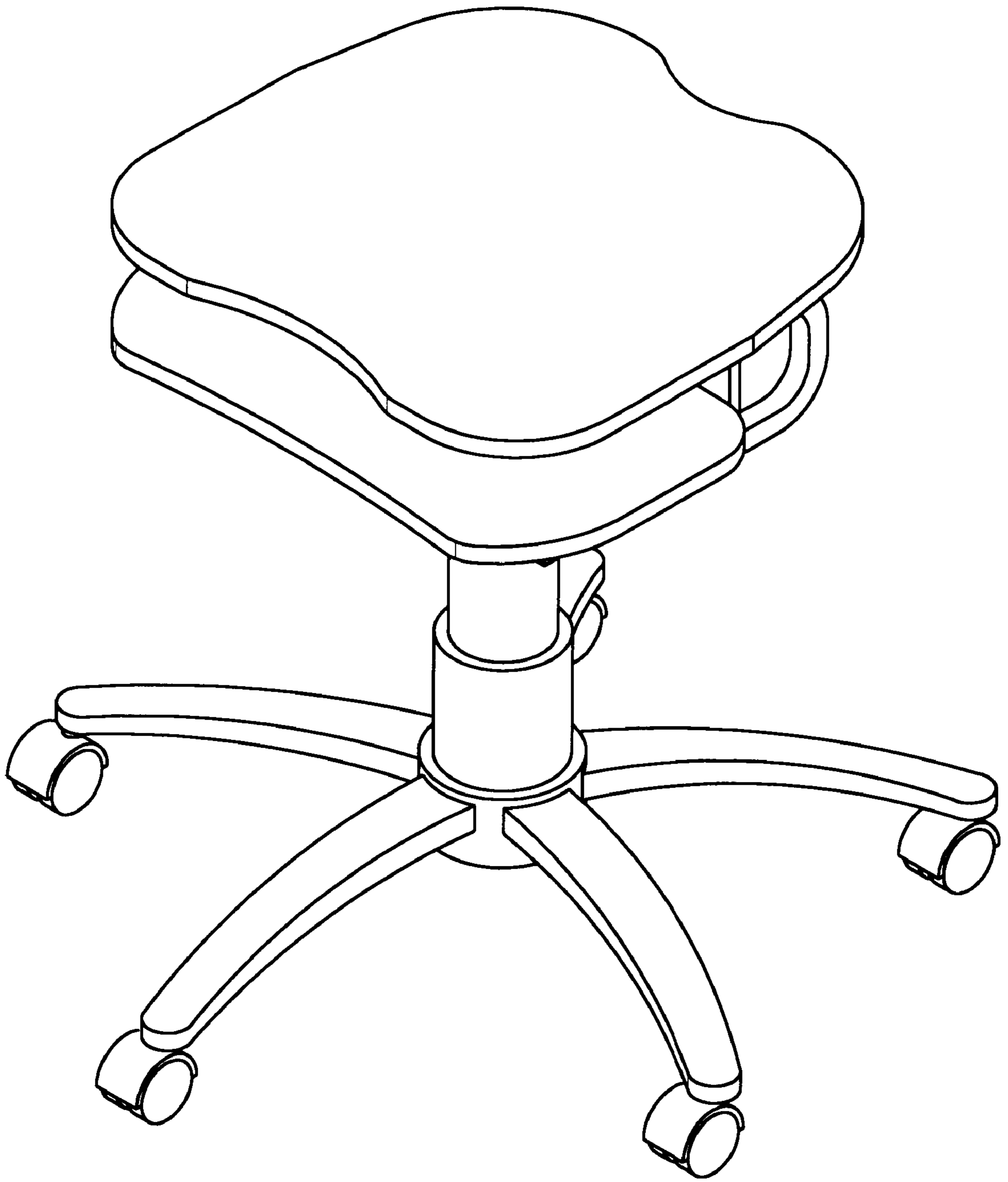


FIG. 1

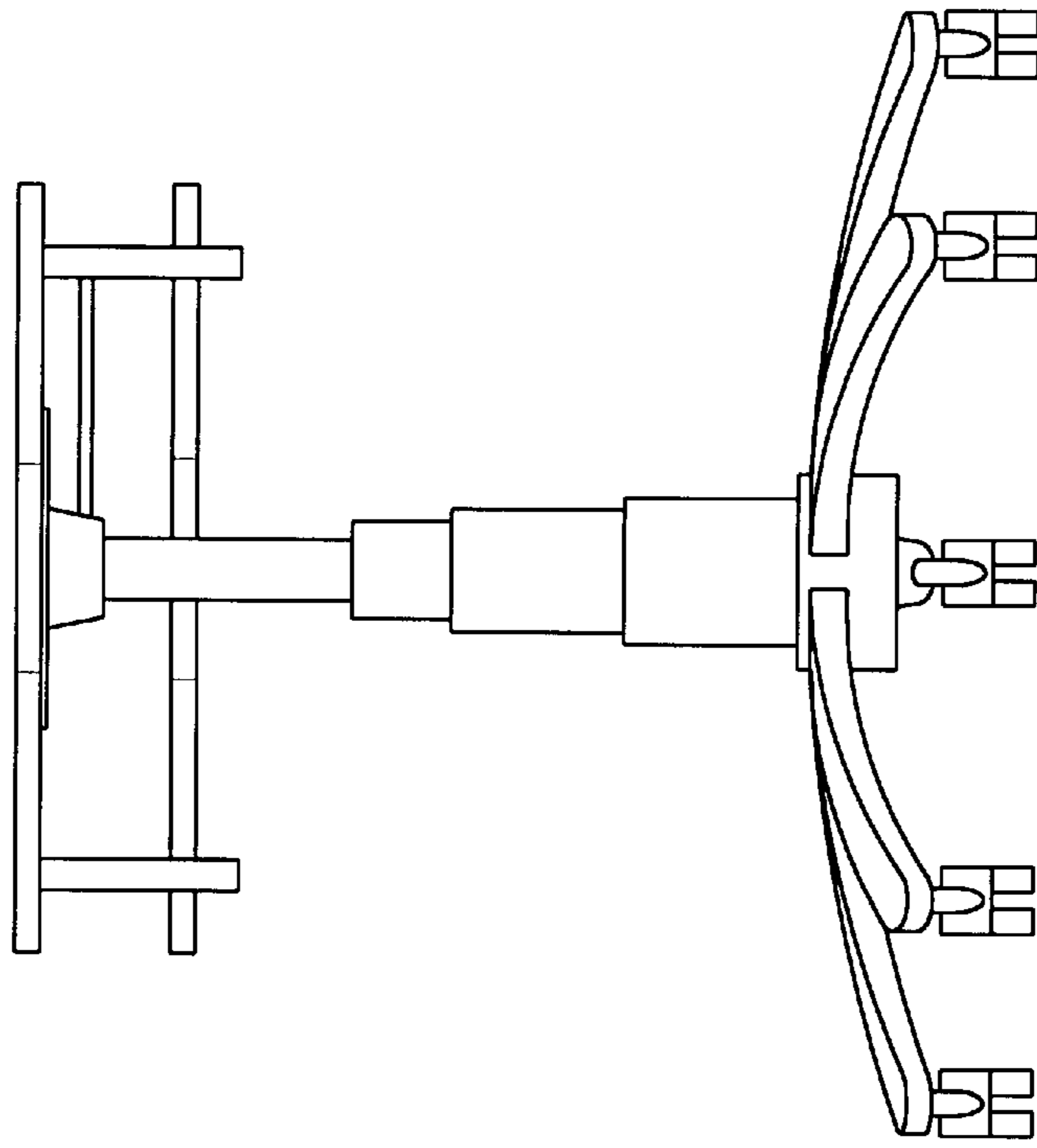


FIG. 3

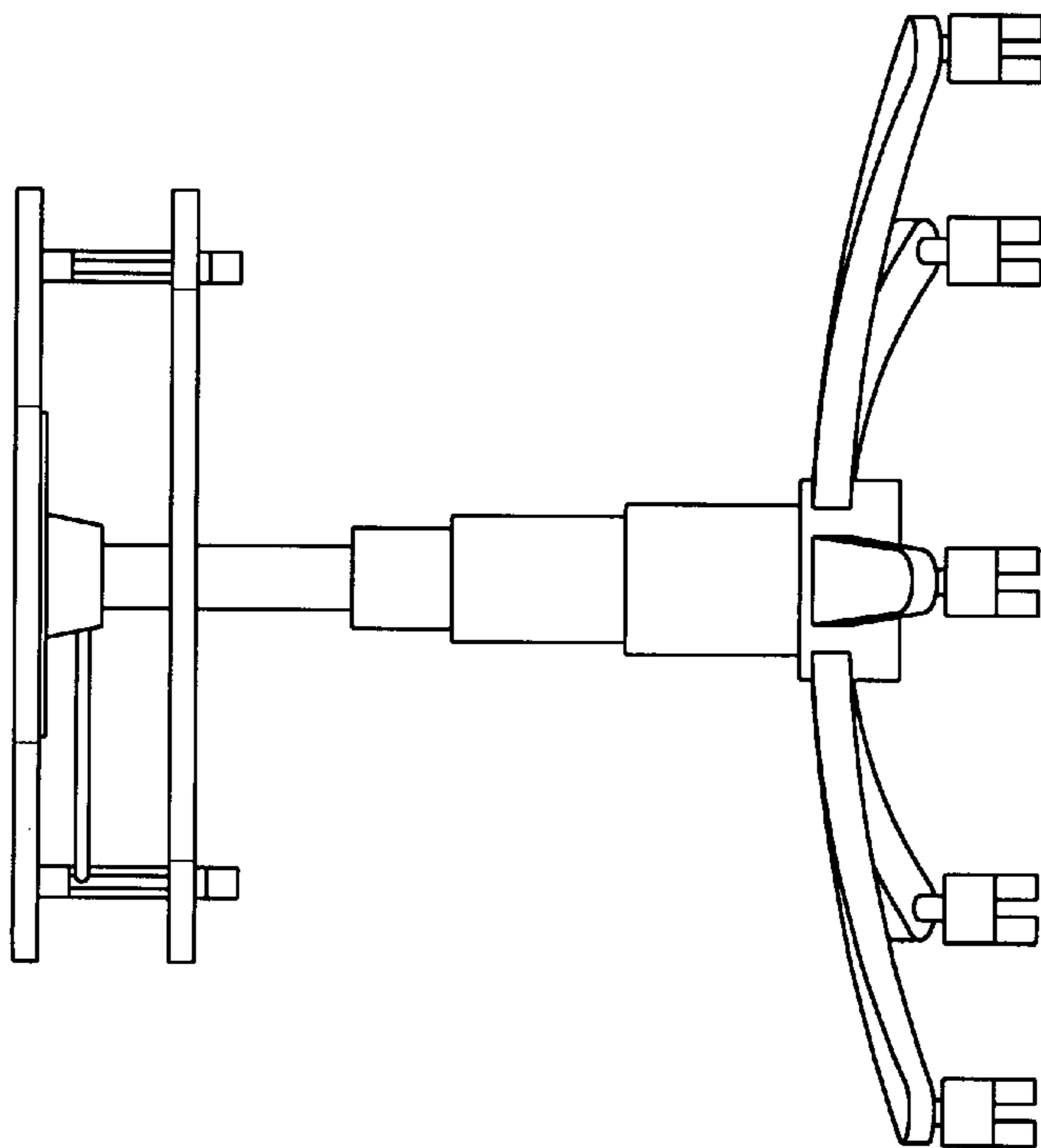


FIG. 2

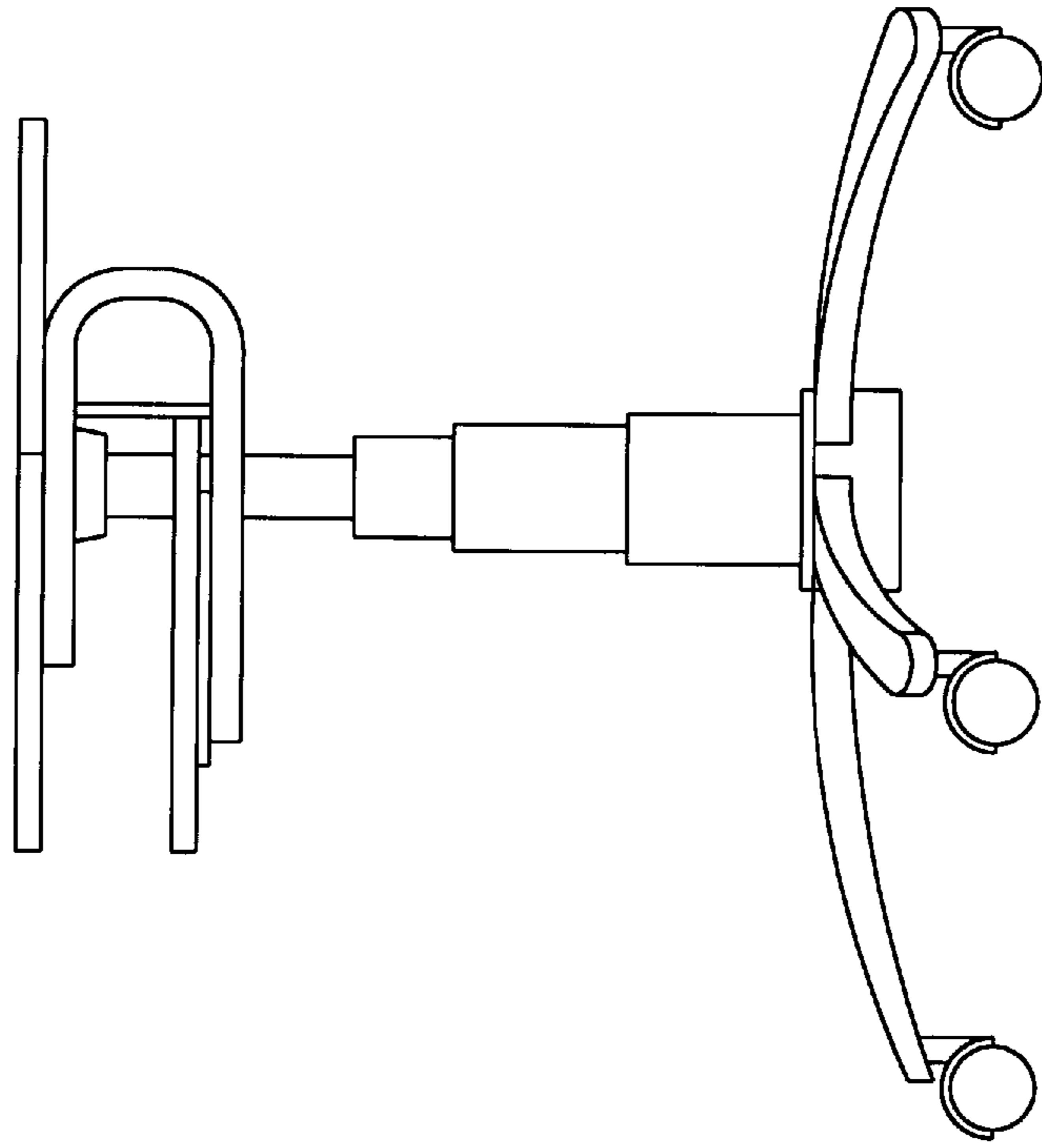


FIG. 5

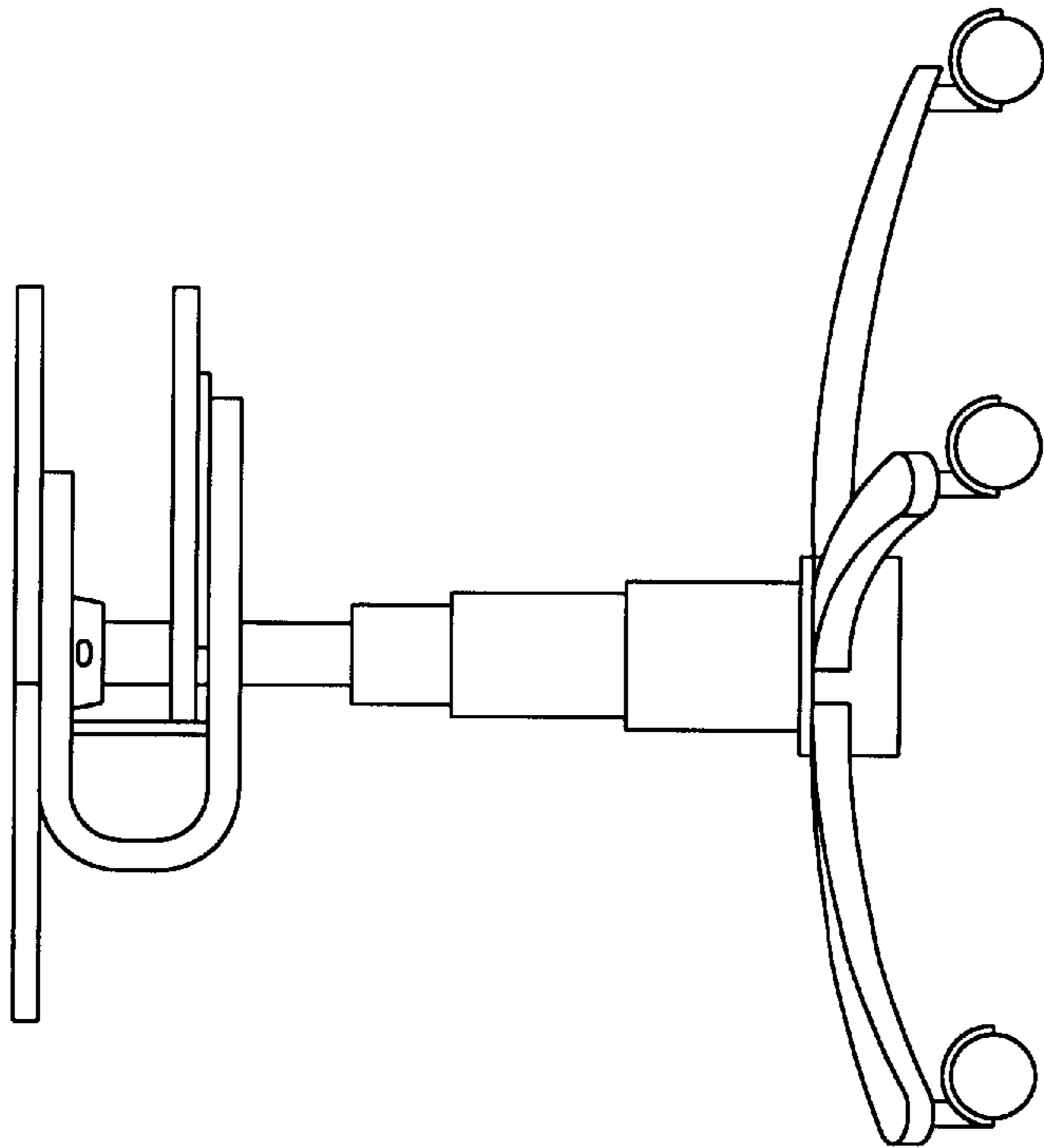


FIG. 4

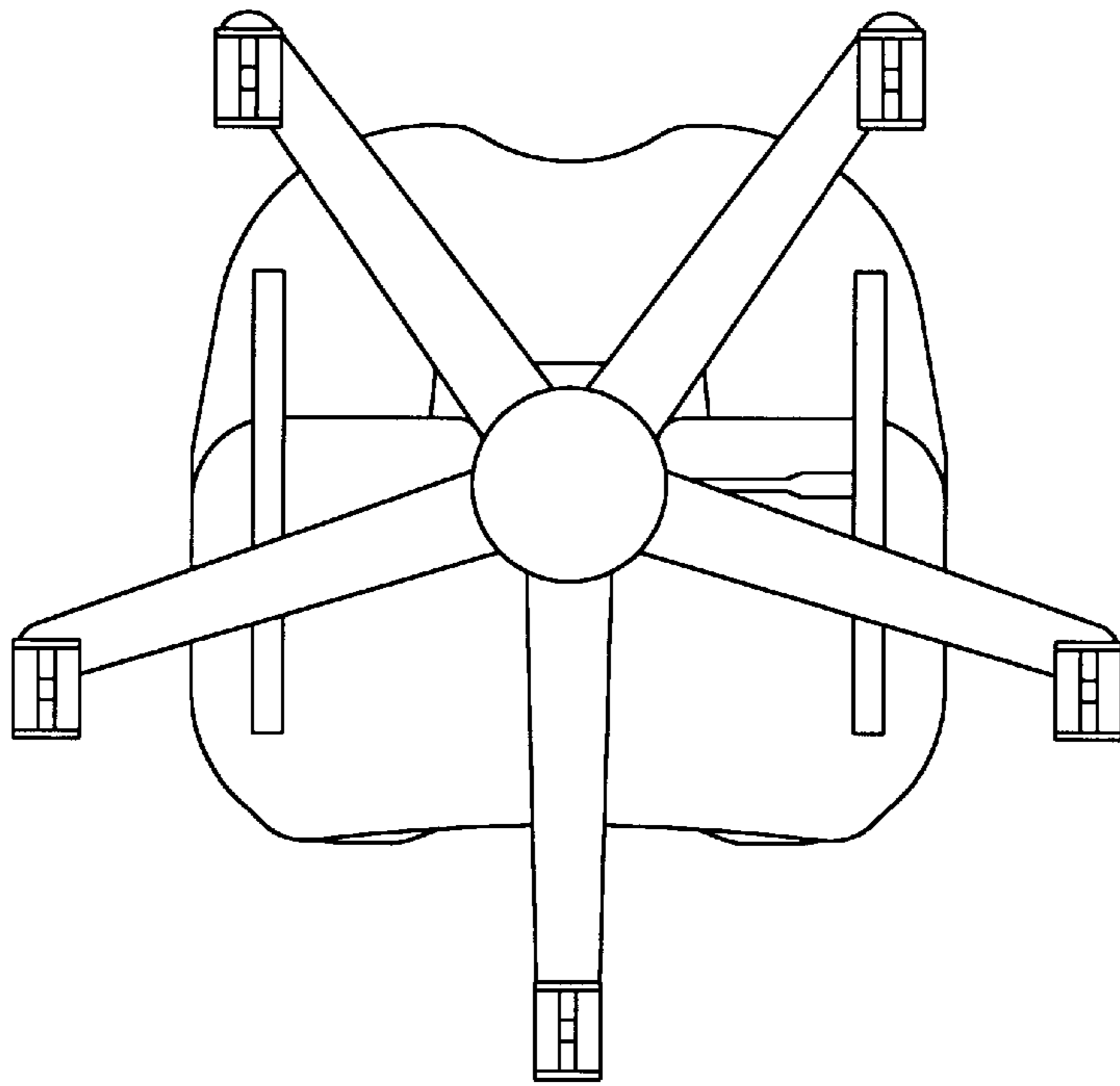


FIG. 6

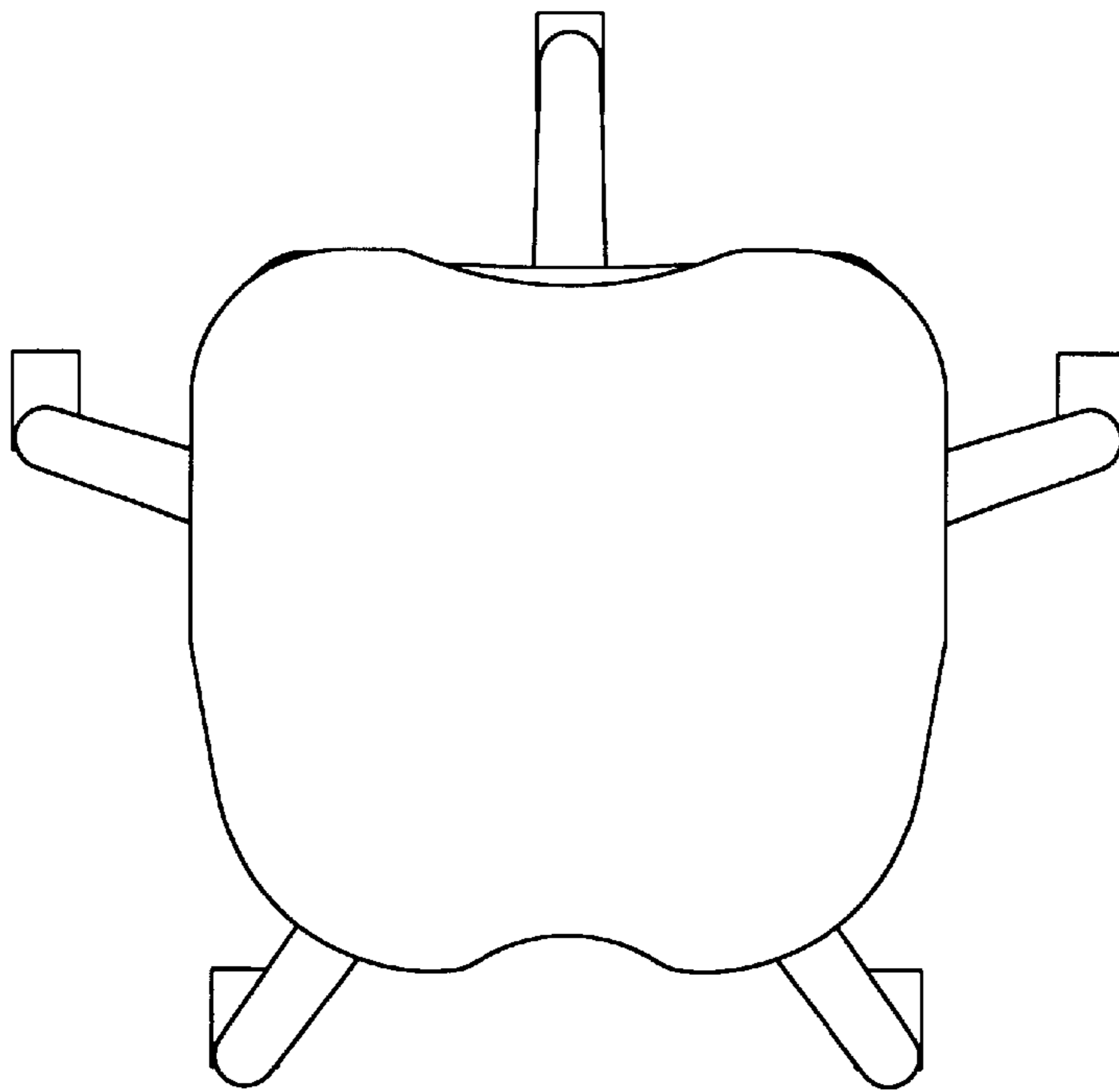


FIG. 7

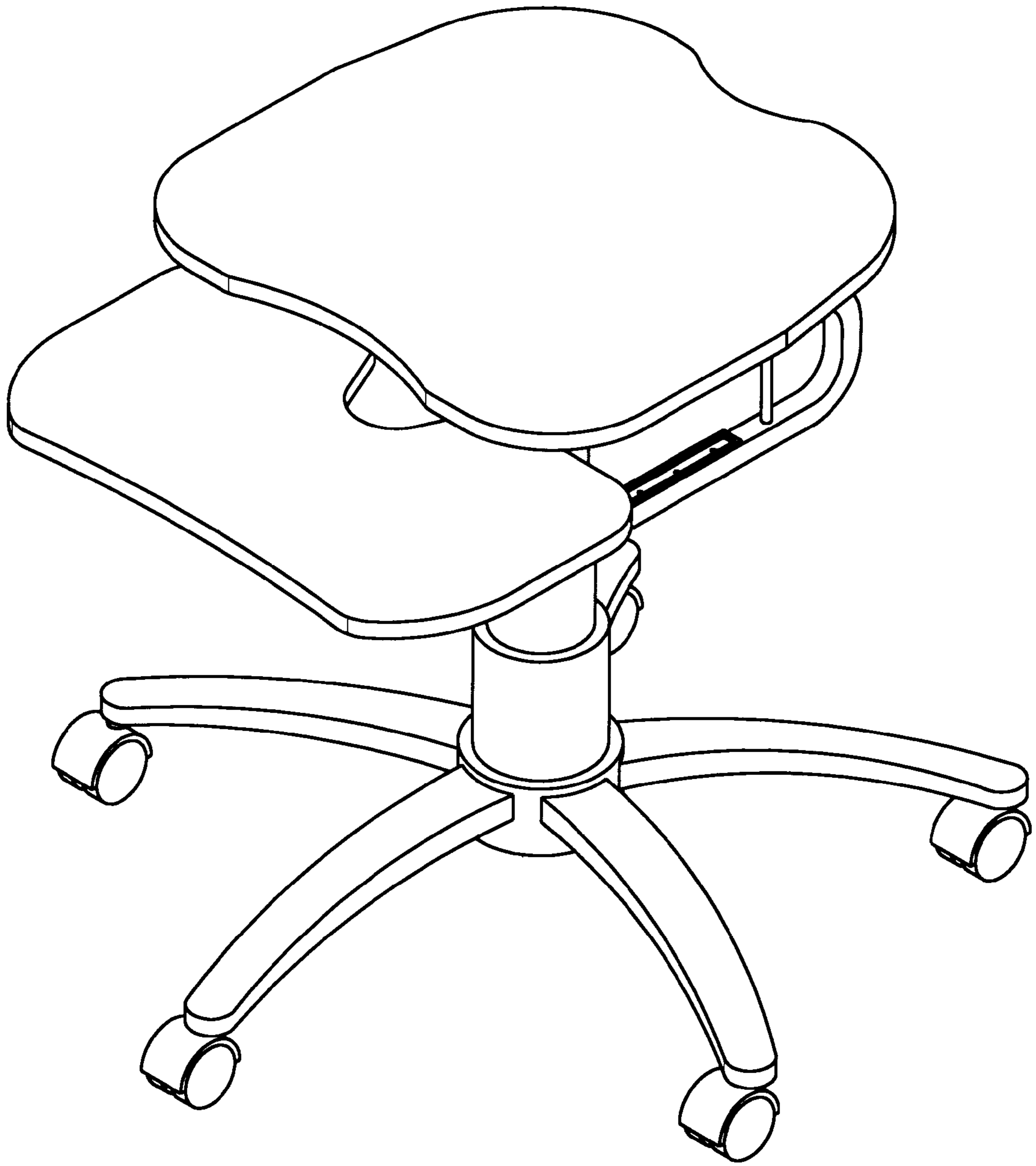


FIG. 8