



US00D441976S

(12) **United States Design Patent**
Cramer

(10) **Patent No.:** **US D441,976 S**

(45) **Date of Patent:** **** May 15, 2001**

(54) **CHAIR**

(75) Inventor: **Daniel E. Cramer**, Golden Valley, MN
(US)

(73) Assignee: **HON Technology Inc.**, Muscatine, IA
(US)

(**) Term: **14 Years**

(21) Appl. No.: **29/105,813**

(22) Filed: **Jun. 3, 1999**

(51) **LOC (7) Cl.** **06-01**

(52) **U.S. Cl.** **D6/380; D6/374**

(58) **Field of Search** D6/334, 335, 374,
D6/375, 376, 379, 380, 500, 501, 502;
297/445.1, 446.1

(56) **References Cited**

U.S. PATENT DOCUMENTS

D. 186,658	*	11/1959	Spilman	D6/374
D. 208,976	*	10/1967	Moeckl	D6/374
D. 352,183	*	11/1994	Sheridan	D6/374
D. 359,177	*	6/1995	Bartlmae	D6/380

D. 395,177 * 6/1998 Dammerman et al. D6/380

D. 397,880 * 9/1998 Saul D6/380

D. 398,457 * 9/1998 Maly D6/380

* cited by examiner

Primary Examiner—Gary D. Watson

(74) *Attorney, Agent, or Firm*—Jones, Day, Reavis & Pogue

(57) **CLAIM**

The ornamental design for a chair, as shown and described.

DESCRIPTION

FIG. 1 is a left, front perspective view of a chair showing my new design;

FIG. 2 is a left, rear perspective view thereof;

FIG. 3 is a right side view, the opposite side view being a mirror image thereof;

FIG. 4 is a front view thereof;

FIG. 5 is a top view thereof; and,

FIG. 6 is a rear view thereof.

The broken line showing is for environmental purposes only and does not form a part of the design.

1 Claim, 2 Drawing Sheets

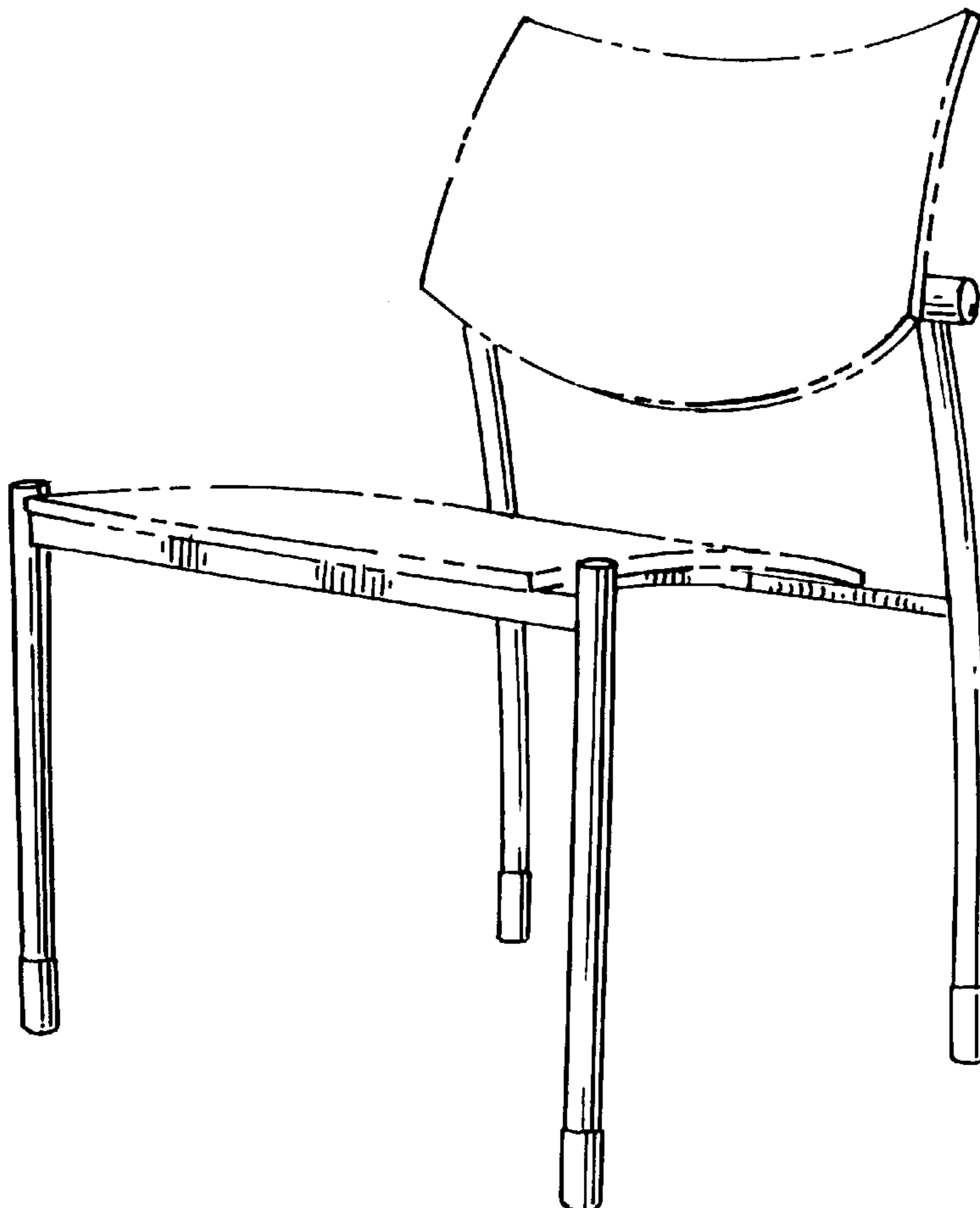


FIG. 1

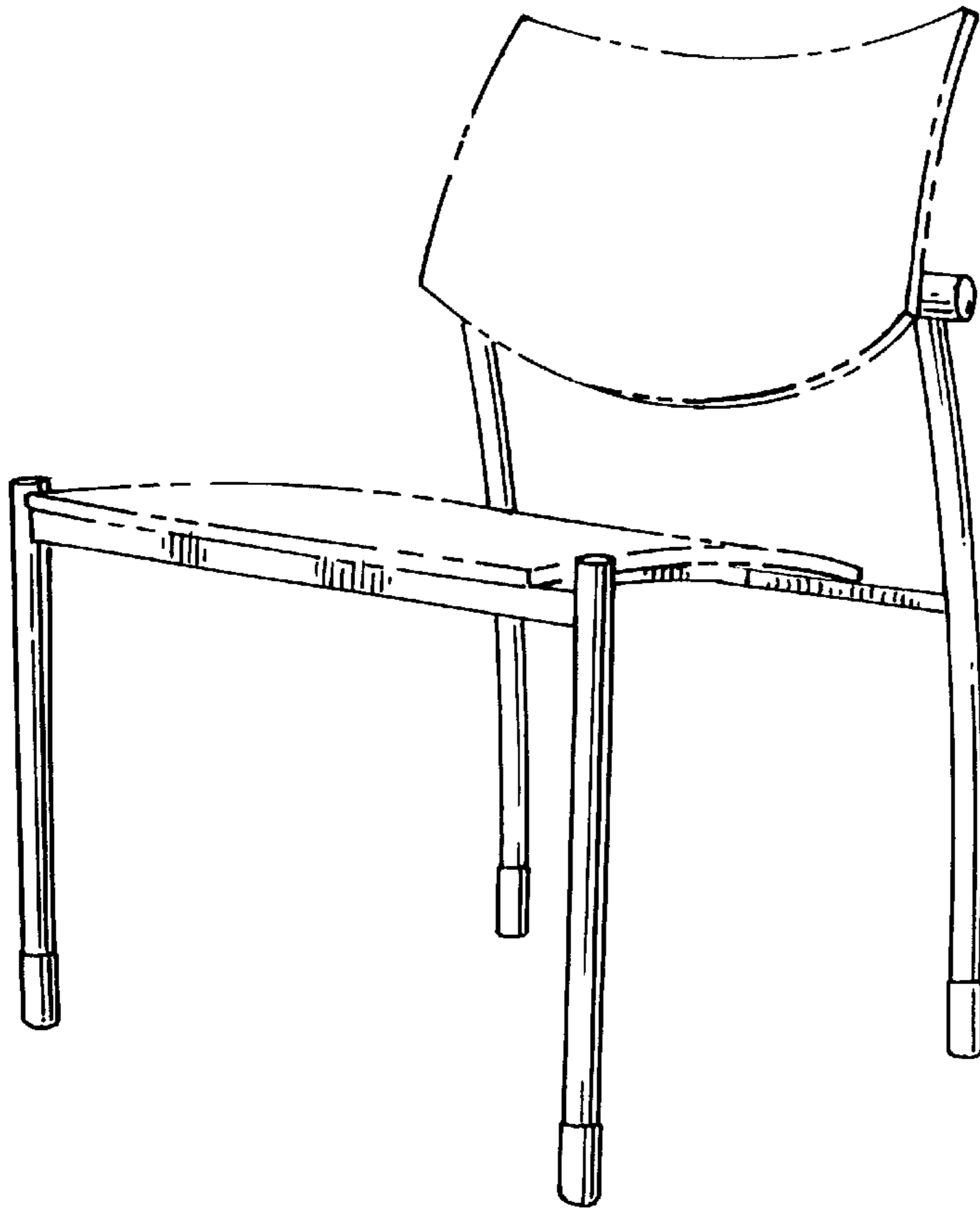


FIG. 2

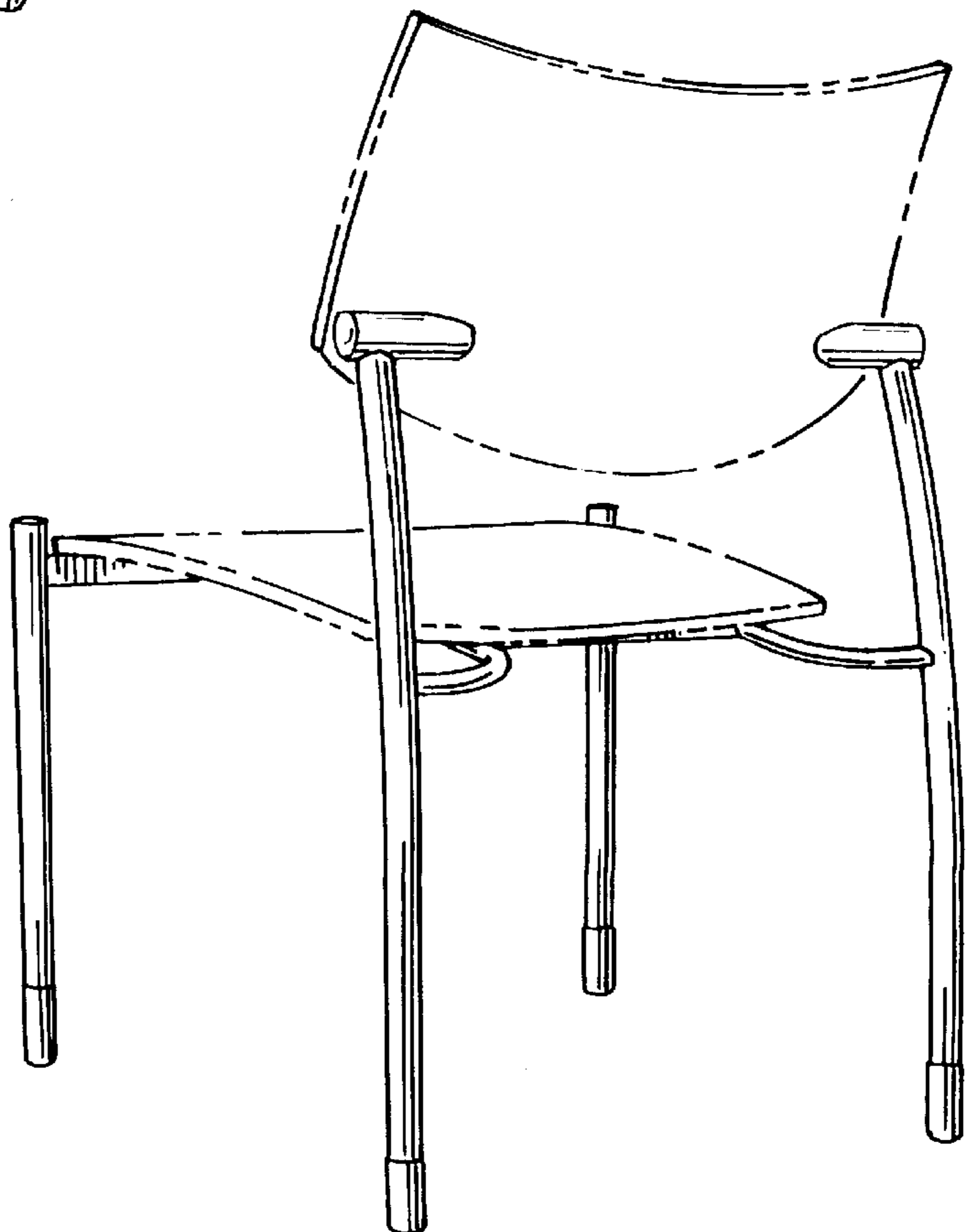


FIG. 3

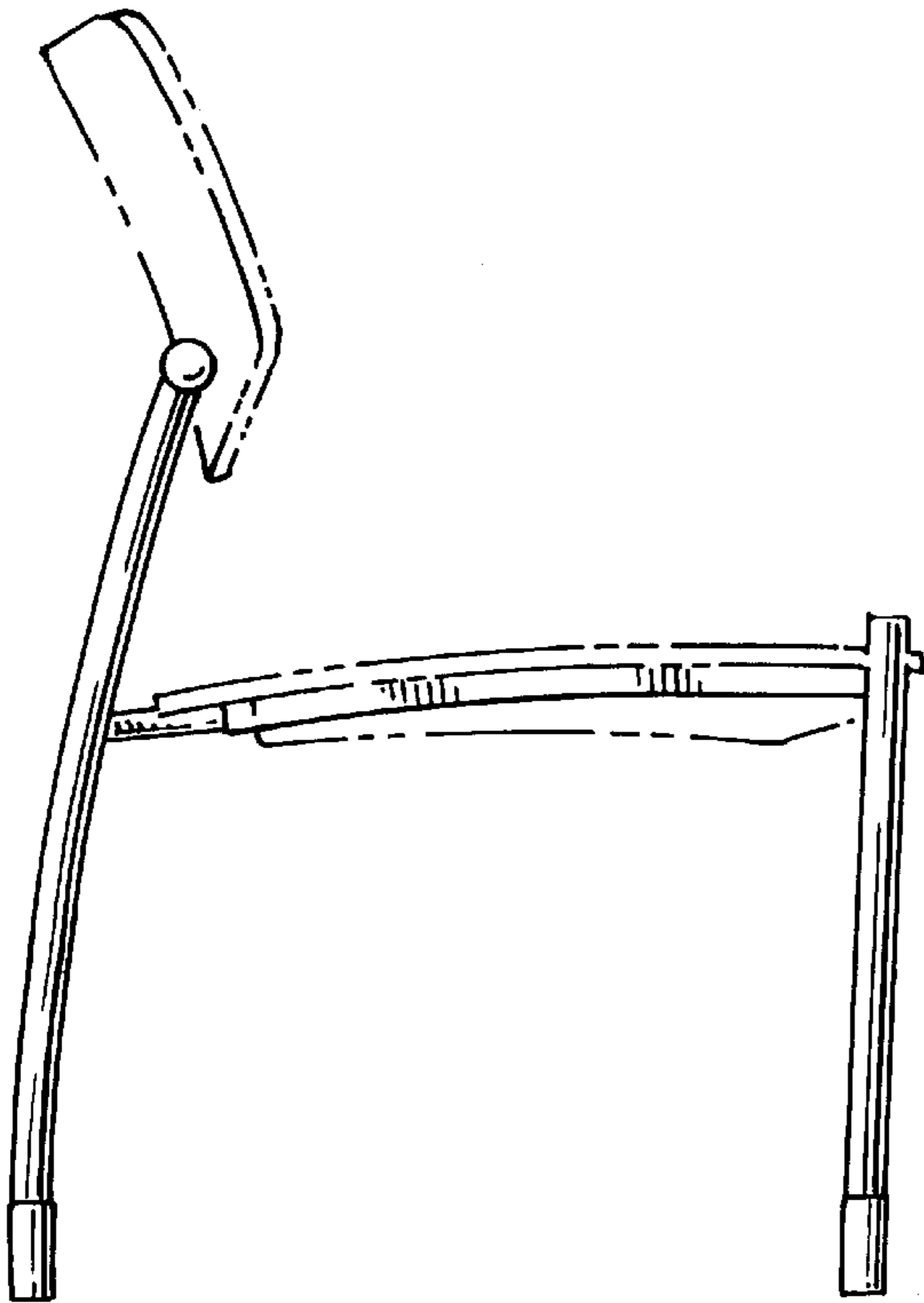


FIG. 4

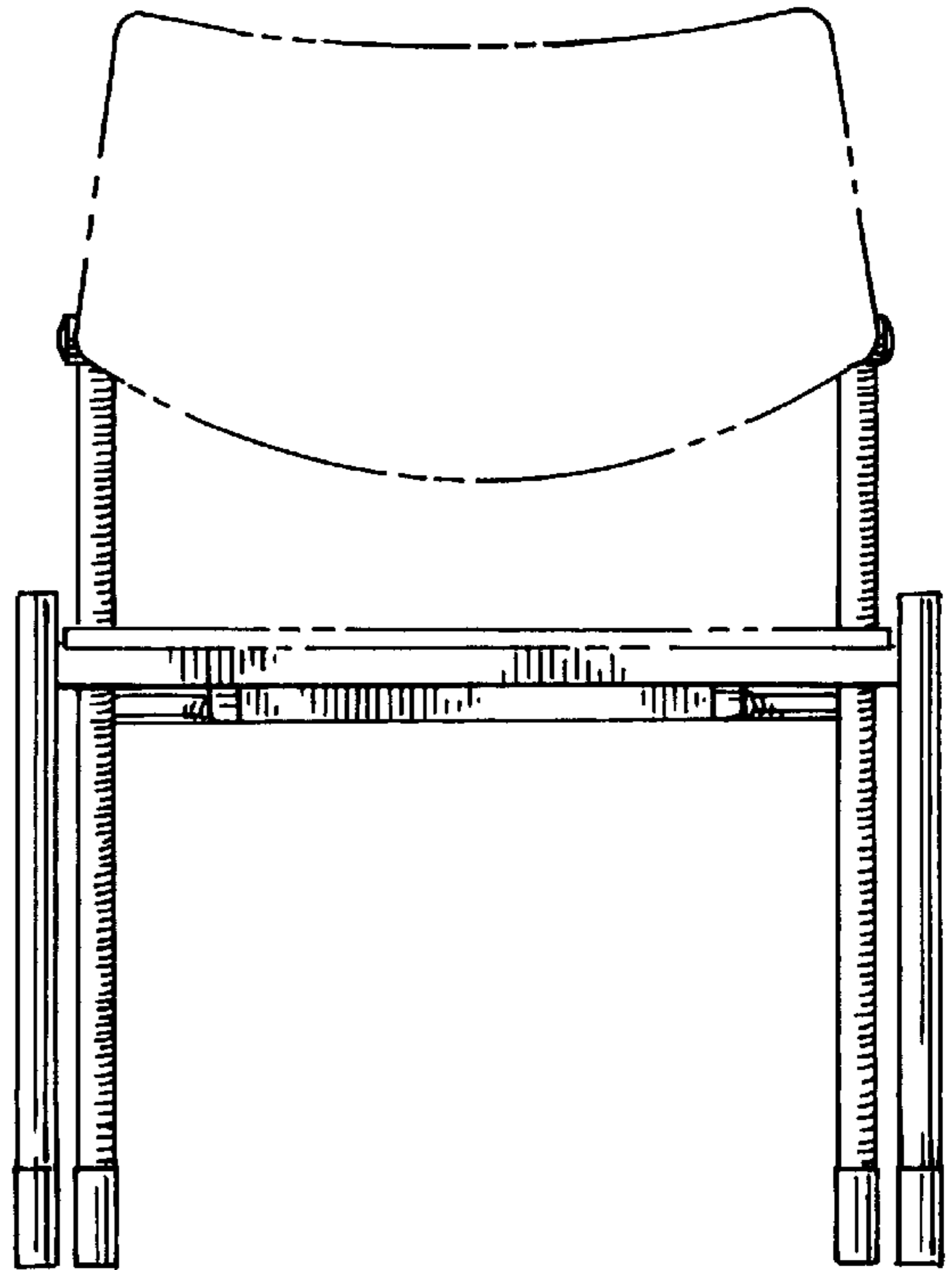


FIG. 5

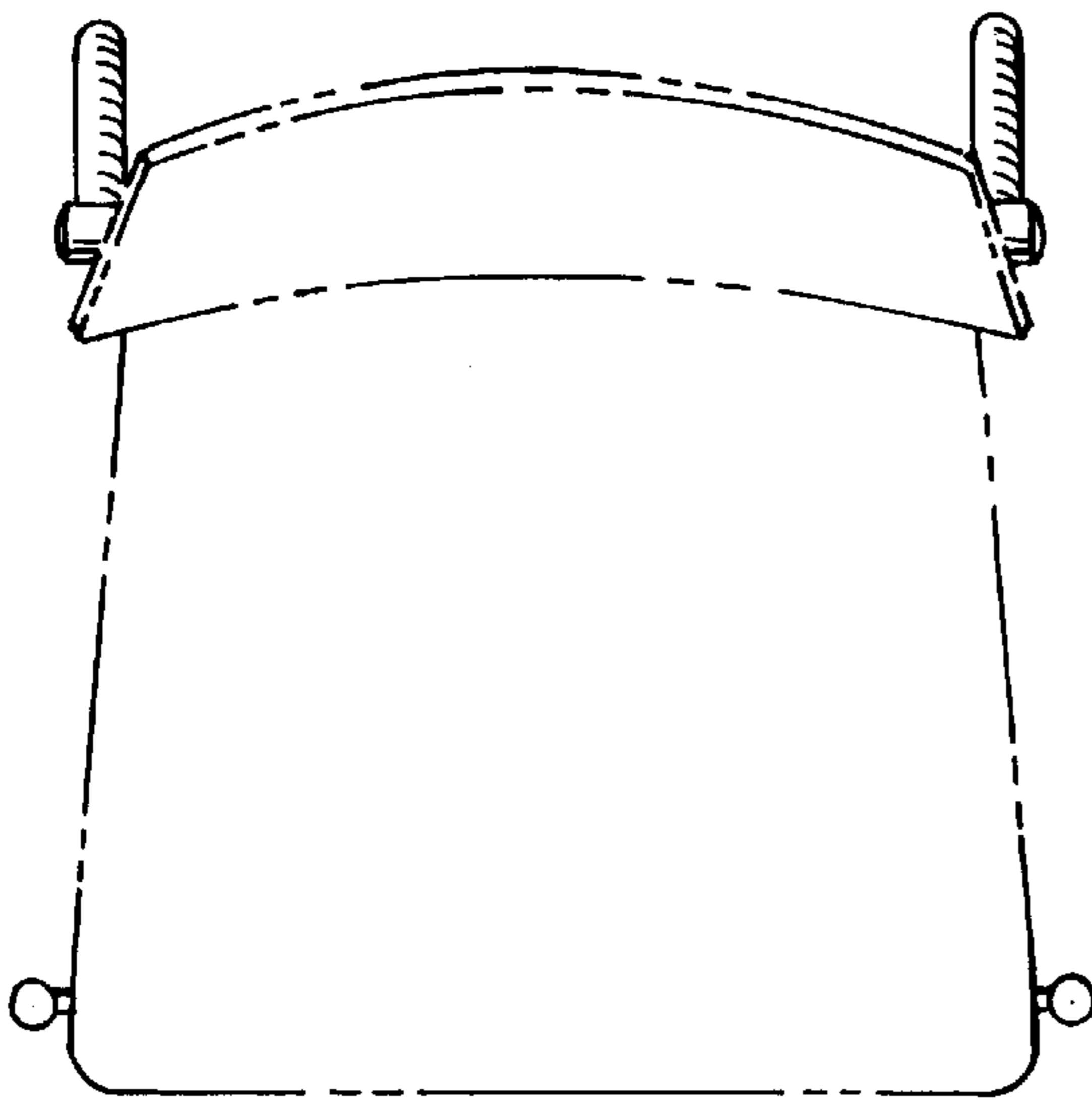


FIG. 6

