



US00D441972S

(12) **United States Design Patent**  
**Mitjans**

(10) **Patent No.:** **US D441,972 S**

(45) **Date of Patent:** **\*\* May 15, 2001**

(54) **ARMCHAIRS SEATING UNIT**  
(75) **Inventor:** **José Figueras Mitjans**, Llica d'Amunt  
(ES)

5,375,914 \* 12/1994 Donelly ..... 297/335  
5,700,052 \* 12/1997 Yamazaki ..... 297/217.3  
5,829,836 \* 11/1998 Schumacher et al. .... 297/335

(73) **Assignee:** **Figueras International Seating, S.A.**,  
Llica d'Amunt (ES)

**OTHER PUBLICATIONS**

Cantilevered End, Model 2410-04F, p. 5, American Desk  
Auditorium Seating, 1973.\*

(\*\*) **Term:** **14 Years**

\* cited by examiner

(21) **Appl. No.:** **29/113,290**

*Primary Examiner*—Doris V. Coles

(22) **Filed:** **Nov. 3, 1999**

*Assistant Examiner*—Mimosa De

(30) **Foreign Application Priority Data**

(74) *Attorney, Agent, or Firm*—Nath & Associates PLLC;  
Gary M. Nath; Harold L. Novick

May 3, 1999 (ES) ..... 145386

(57) **CLAIM**

(51) **LOC (7) Cl.** ..... **06-01**

The ornamental design for an armchairs seating unit, as  
shown and described.

(52) **U.S. Cl.** ..... **D6/368**

(58) **Field of Search** ..... D6/334, 335, 356,  
D6/367, 368, 381, 500, 501, 502; 297/232,  
335, 217.3

**DESCRIPTION**

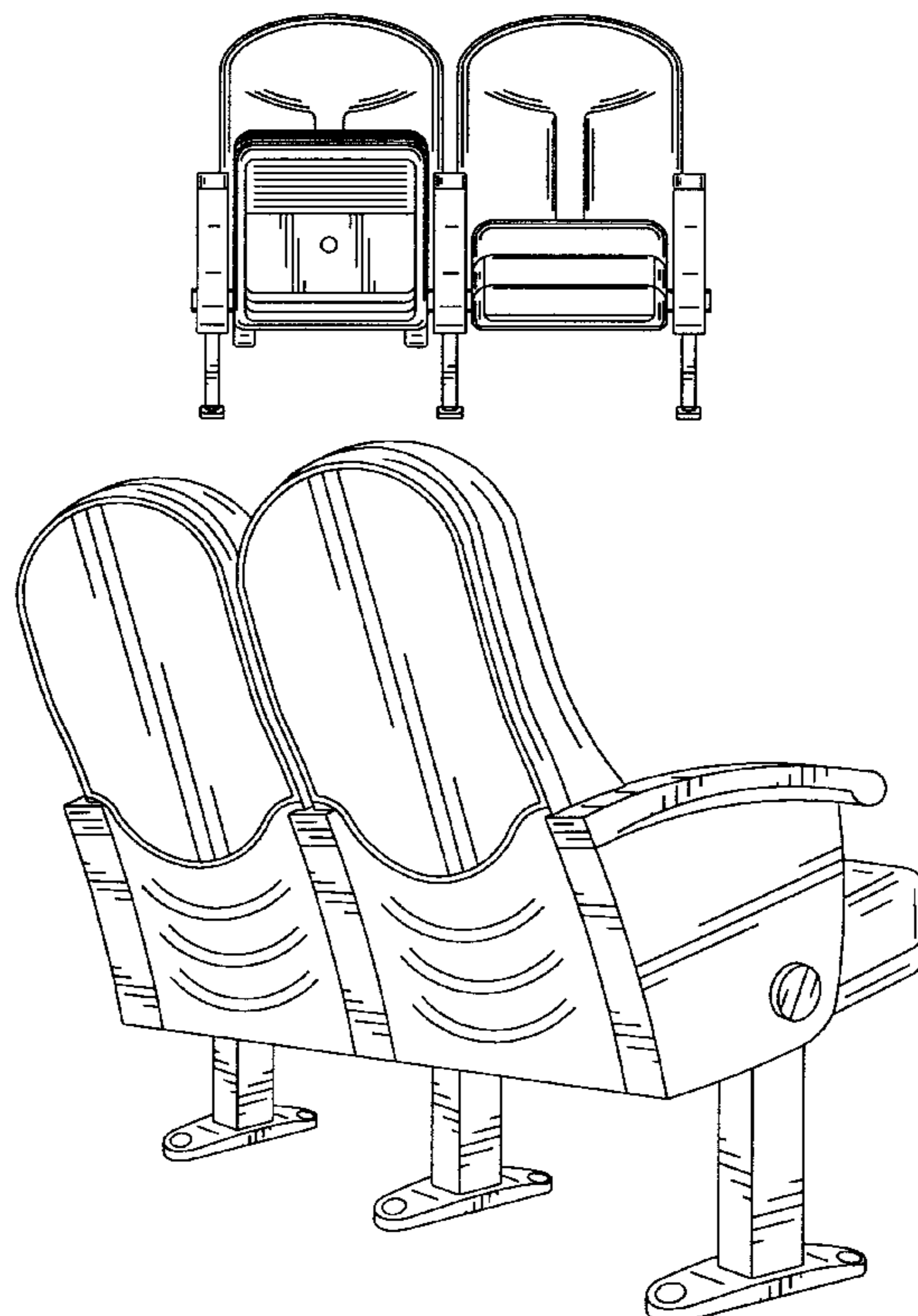
(56) **References Cited**

**U.S. PATENT DOCUMENTS**

D. 127,888 \* 6/1941 Gedris ..... D6/502  
D. 252,482 \* 7/1979 Blodee ..... D6/365  
D. 352,400 \* 11/1994 Yamazaki ..... D6/334  
D. 381,537 \* 7/1997 Washburn et al. .... D6/501  
D. 396,967 \* 8/1998 Yamazaki ..... D6/381  
D. 423,836 \* 5/2000 Bergin ..... D6/501  
D. 428,276 \* 7/2000 Mitjans ..... D6/356  
2,365,570 \* 12/1944 Lee ..... 297/342  
3,287,060 \* 11/1966 Thompson ..... 297/342

FIG. 1 is a front view of the armchairs seating unit, showing  
one seat in an alternate position;  
FIG. 2 is a left side view of the armchairs module;  
FIG. 3 is a right side view of the armchairs module;  
FIG. 4 is a back view of the armchairs module;  
FIG. 5 is a top view of the armchairs module;  
FIG. 6 is a bottom view of the armchairs module;  
FIG. 7 is an enlarged front perspective view of the armchairs  
module, showing one seat in an alternate position; and,  
FIG. 8 is an enlarged back perspective view of the armchairs  
module.

**1 Claim, 3 Drawing Sheets**



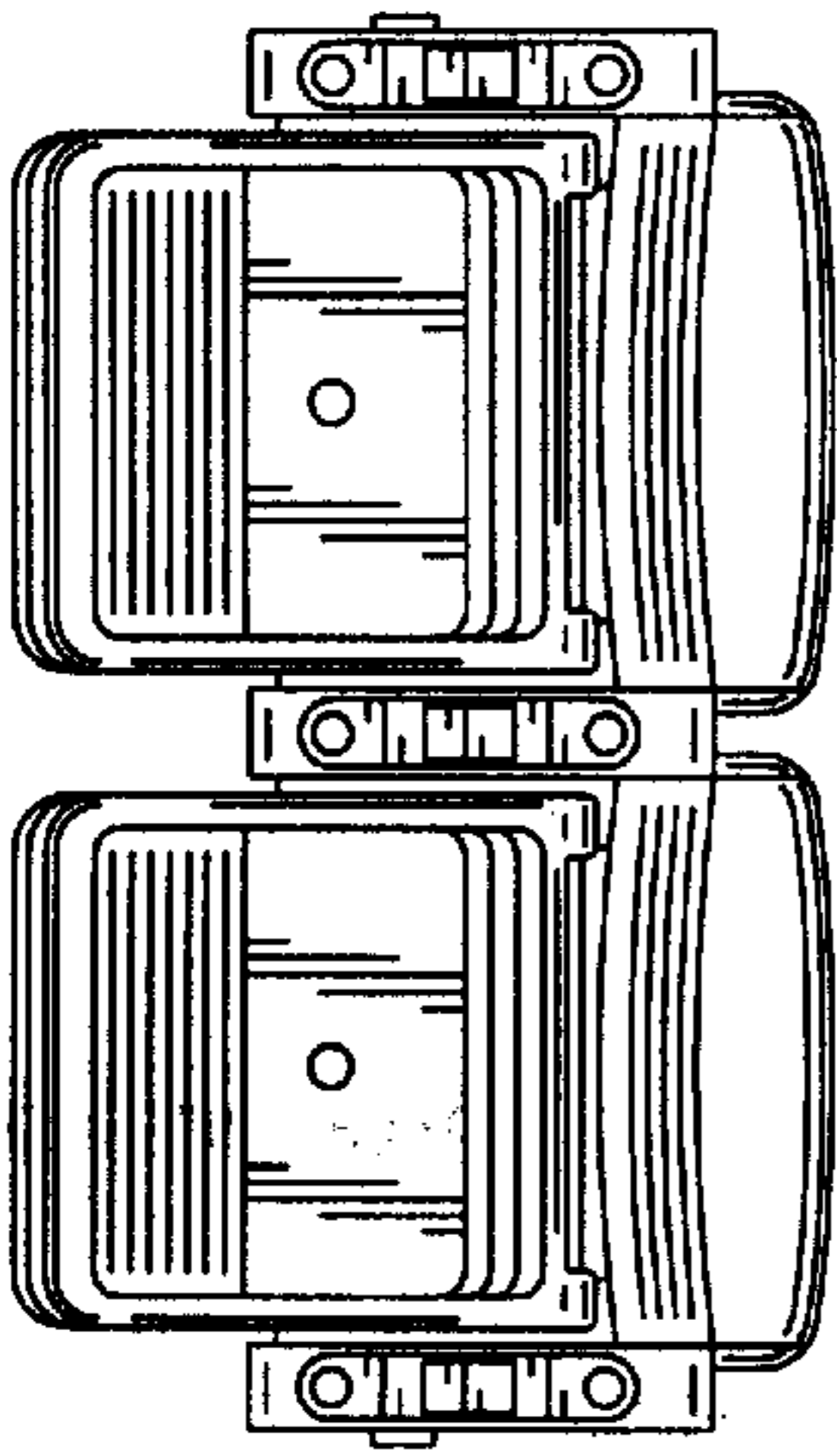


FIG. 6

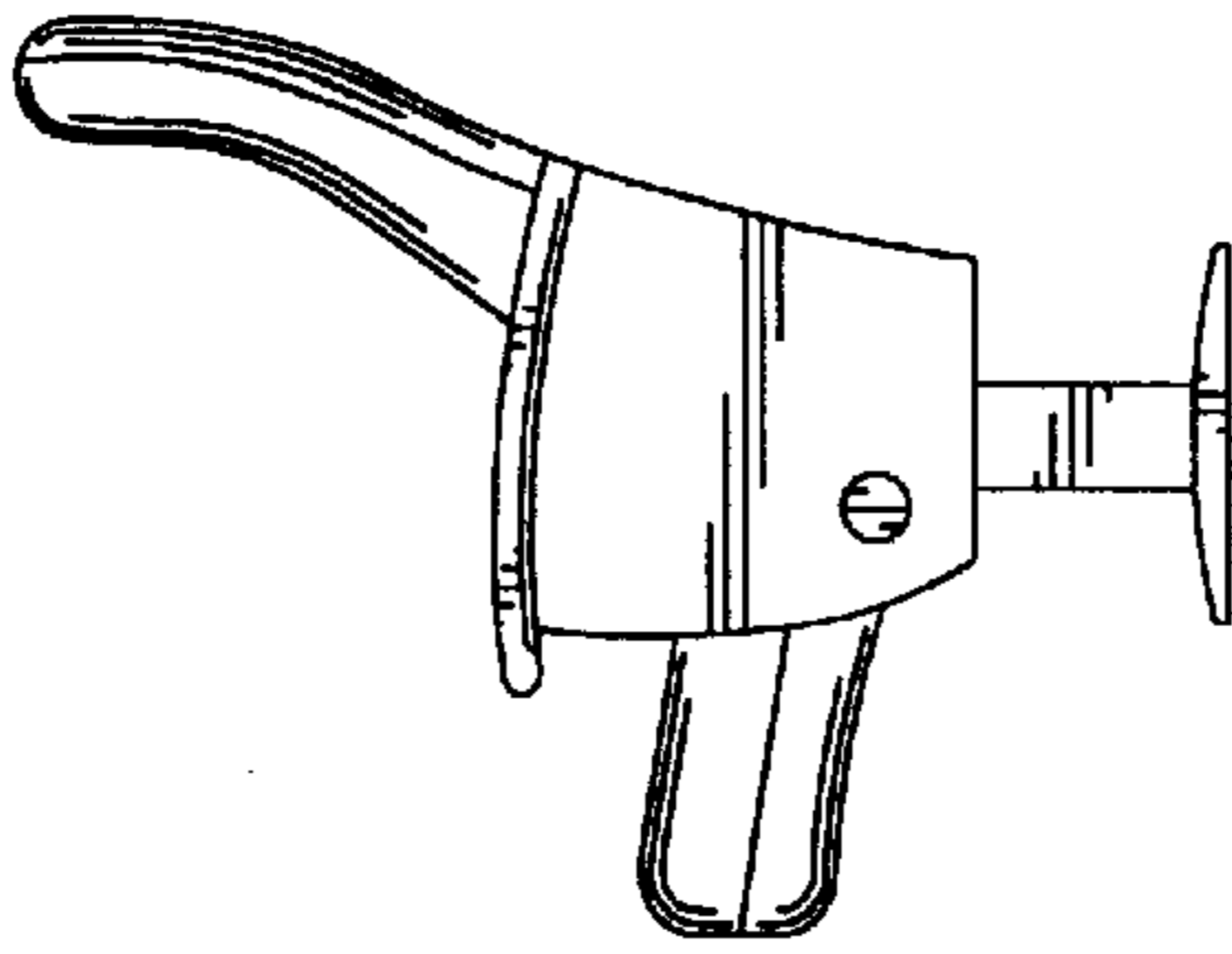


FIG. 3

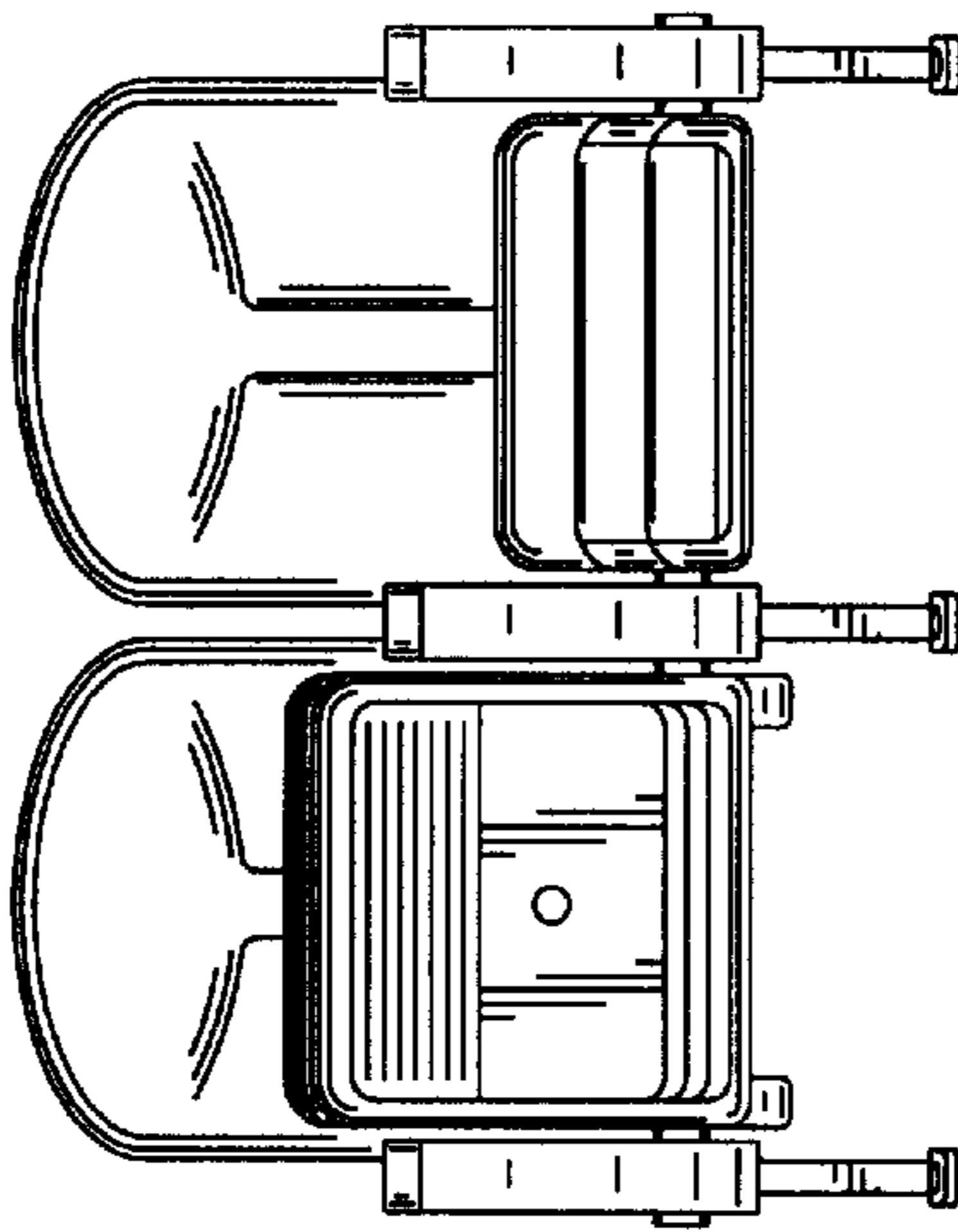


FIG. 1

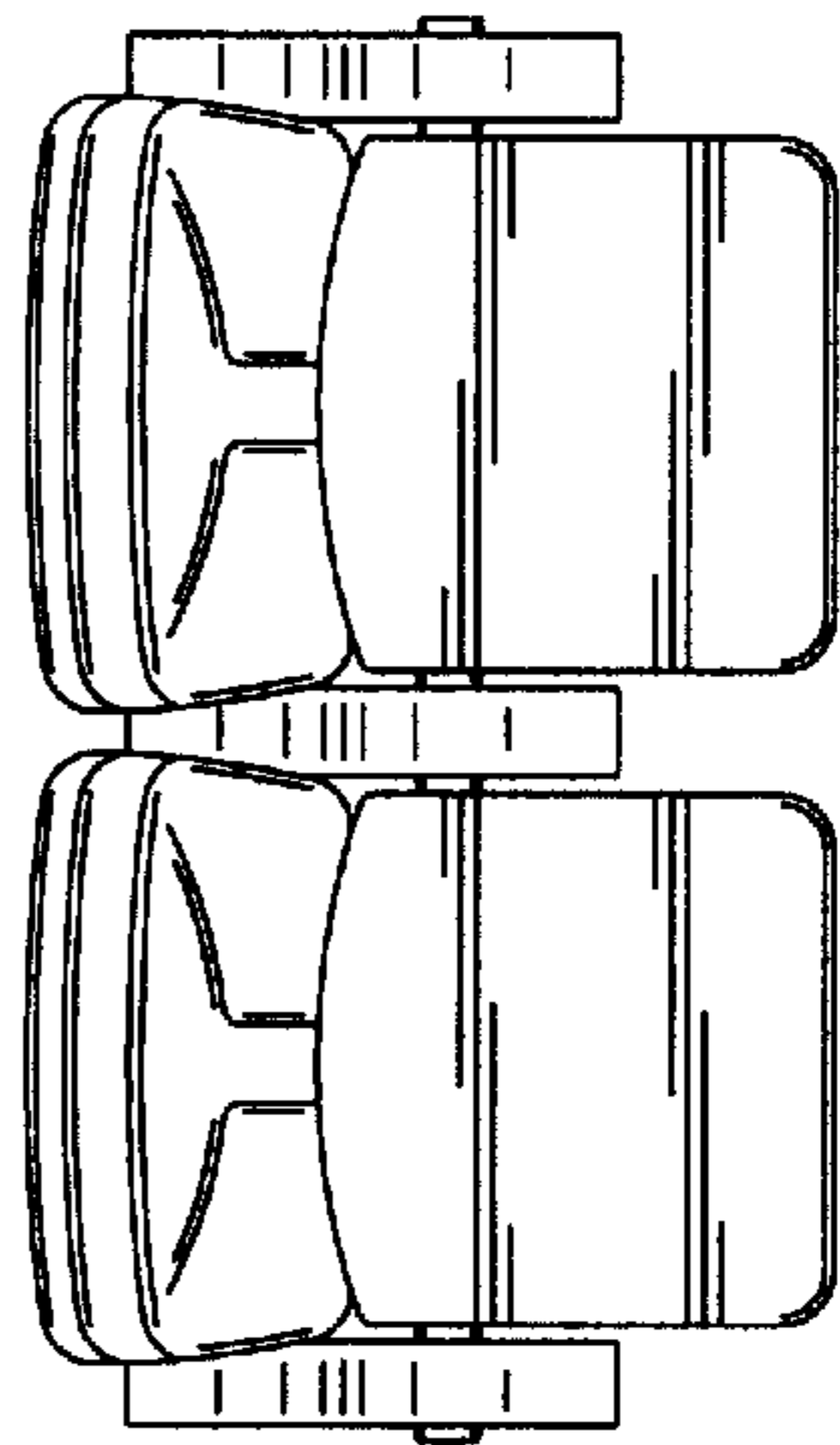


FIG. 5

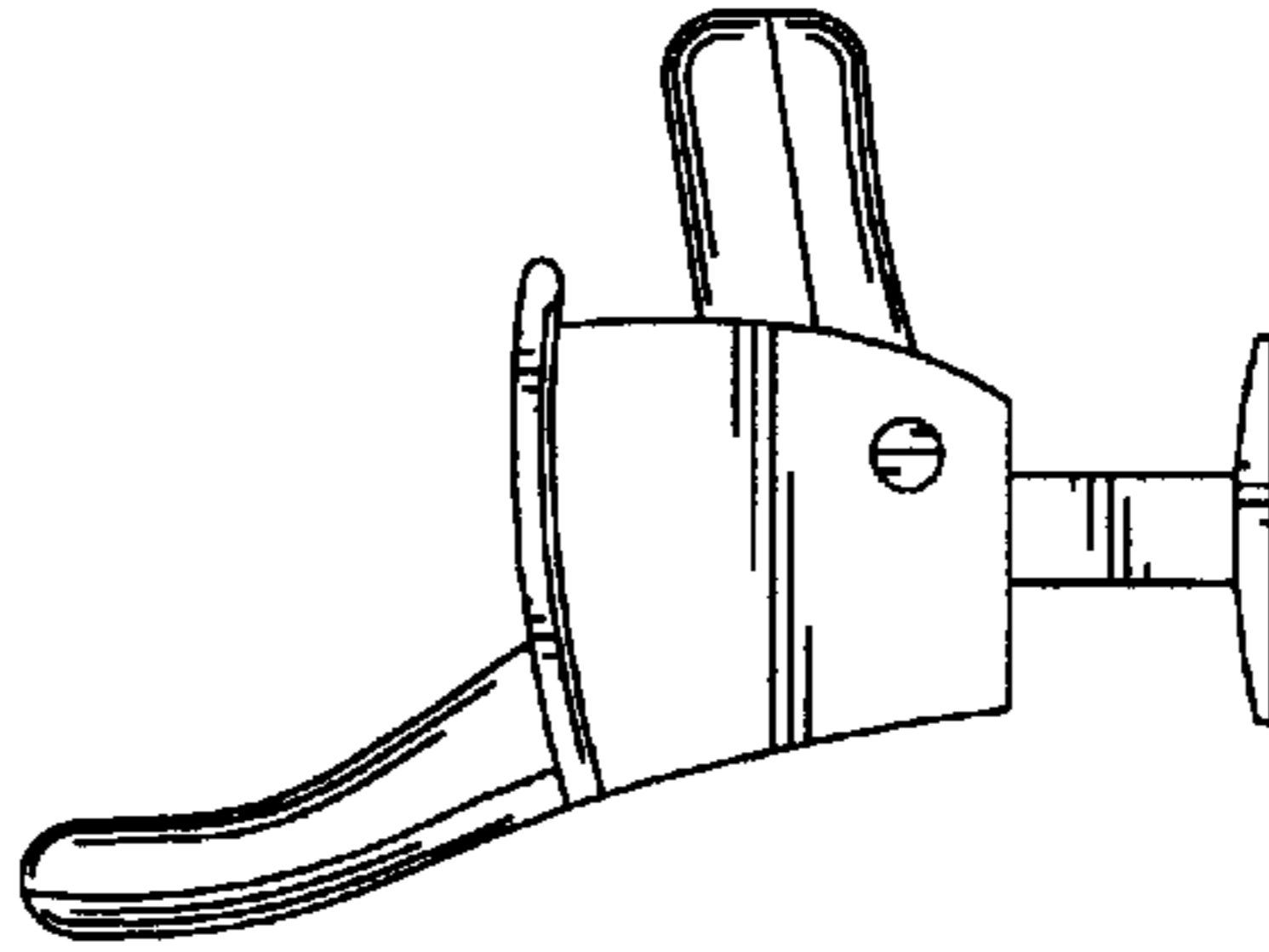


FIG. 2

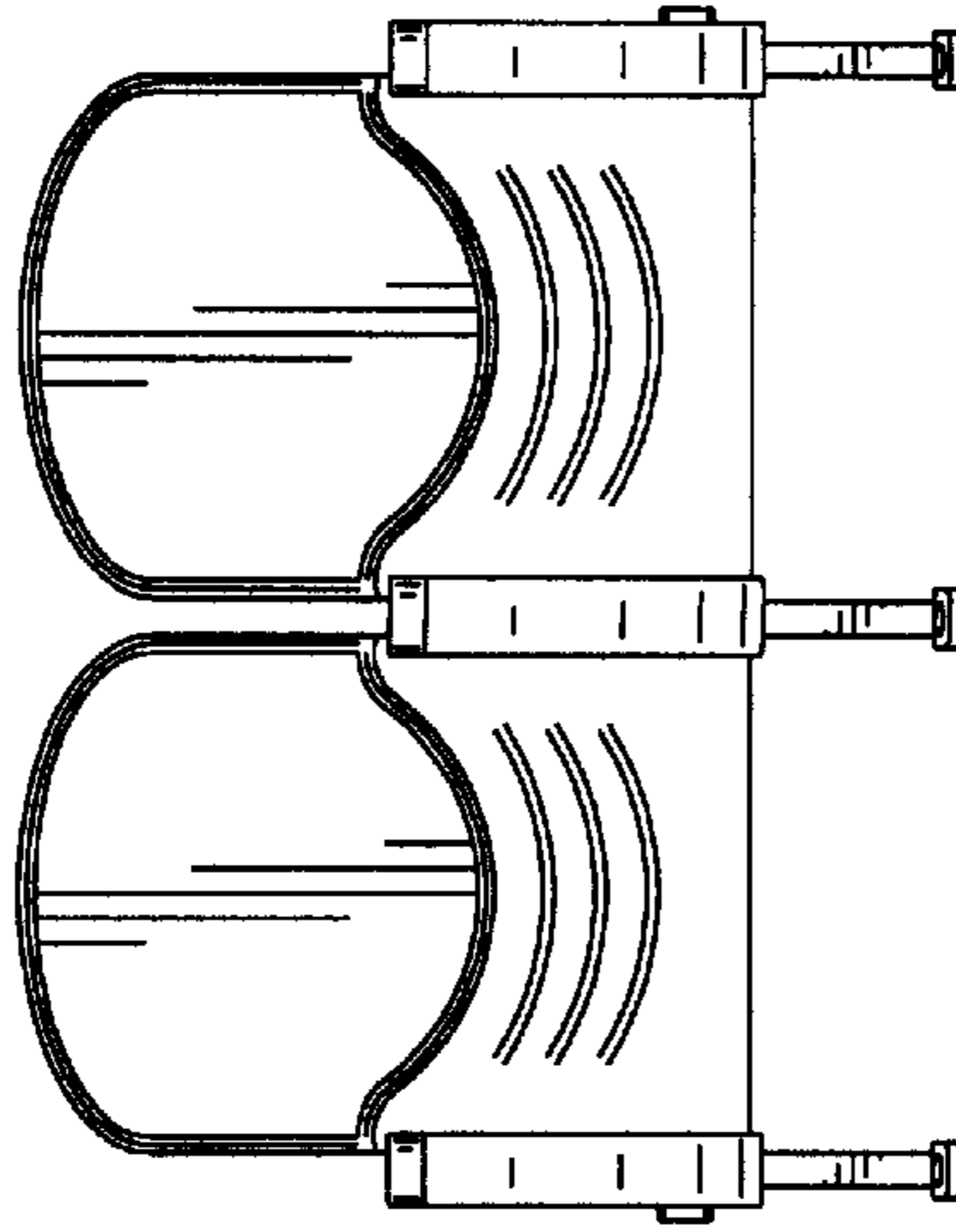


FIG. 4

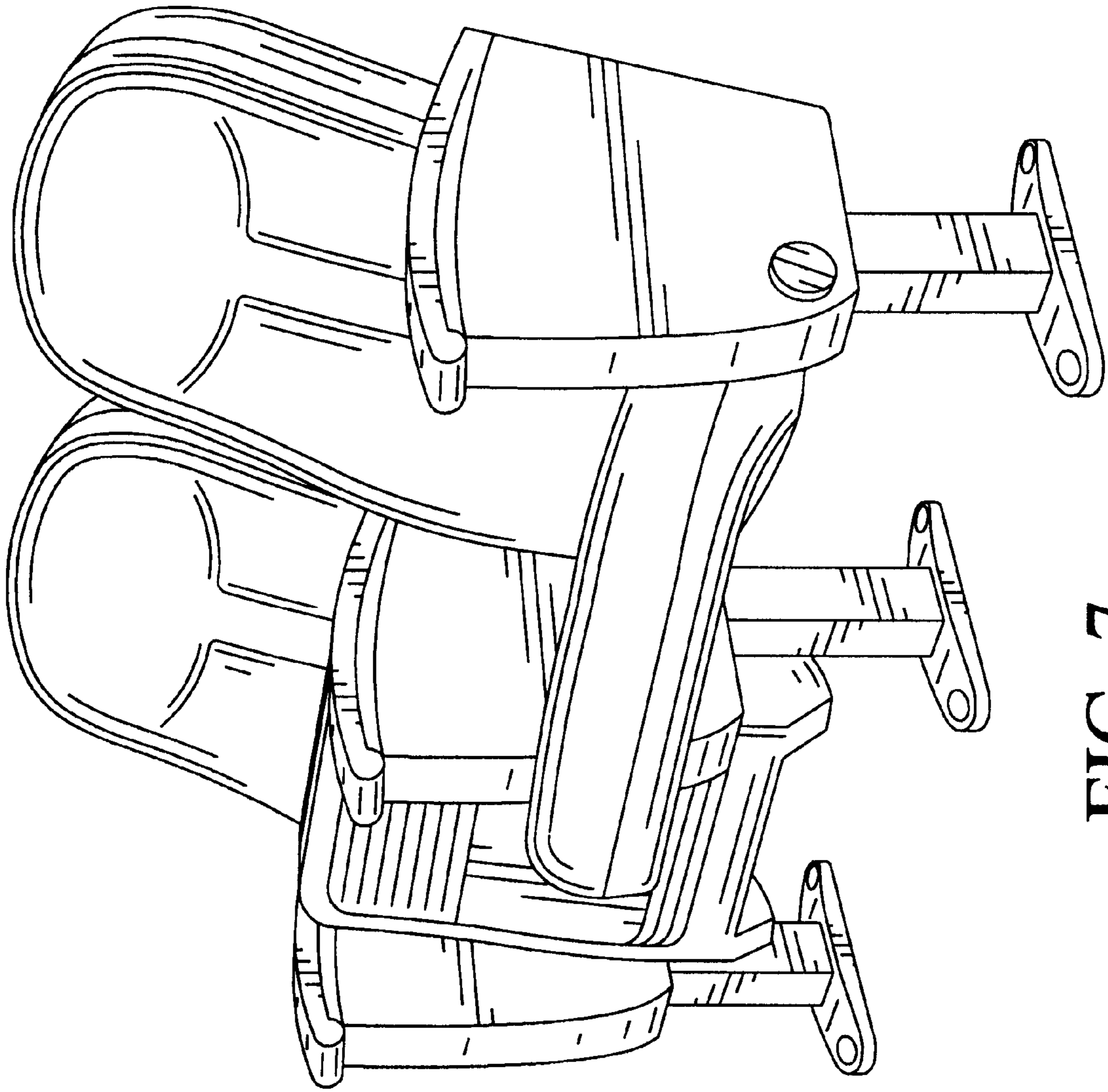


FIG. 7

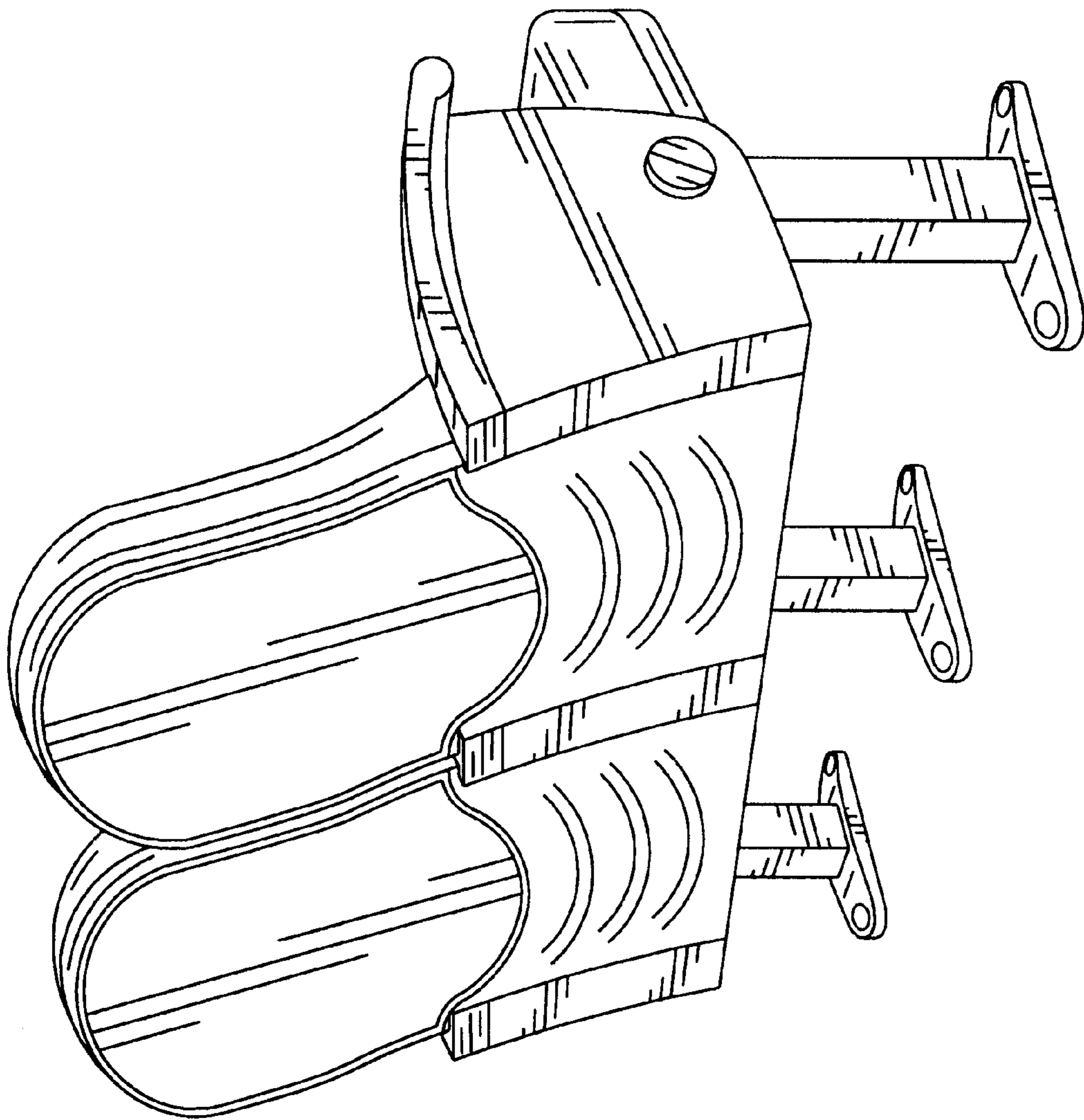


FIG. 8