



US00D441969S

(12) **United States Design Patent**
Ranspach

(10) **Patent No.:** **US D441,969 S**

(45) **Date of Patent:** **** May 15, 2001**

(54) **DRAWING HORSE AND DRAFTING TABLE**

2,696,415 12/1954 Himelson .

2,901,124 8/1959 Gingher et al. .

(76) Inventor: **Ernest J. Ranspach**, 434 NE. 8th St.,
Boca Raton, FL (US) 33432

4,921,302 5/1990 Godwin 397/170

(**) Term: **14 Years**

OTHER PUBLICATIONS

(21) Appl. No.: **29/133,557**

Artroom Equipment Catalog 1997 illustration of drawing horse, Copyright 1997, James Howard Co. (2pgs.).

(22) Filed: **Dec. 1, 2000**

Sax Catalog circa 1998 Art Horse p. 271 (1pg.).

High Smith Catalog circa 1998 Wilson Multimedia Workstation p. 11 (1pg.).

Related U.S. Application Data

Co-pending utility patent application No. 09/441,816 filed Nov. 17, 1999, is pending.

(62) Division of application No. 29/115,117, filed on Dec. 8, 1999, now Pat. No. Des. 435,975.

Primary Examiner—Doris V. Coles

Assistant Examiner—Mimosa De

(51) **LOC (7) Cl.** **06-01**

(74) *Attorney, Agent, or Firm*—Robert C. Kain, Jr.; Fleit Kain

(52) **U.S. Cl.** **D6/338**

(58) **Field of Search** D6/300, 335, 336,
D6/338, 340, 349, 367, 420; 108/6, 29,
157.1, 157.11, 163, 177; 297/135, 156,
170, 172, 173, 174, 124; D34/14, 21, 22

(57) **CLAIM**

The ornamental design for the drawing horse and drafting table, as shown.

(56) **References Cited**

DESCRIPTION

U.S. PATENT DOCUMENTS

D. 61,355	8/1922	Anderson .	
D. 140,281	2/1945	Weller et al. .	
D. 145,659	10/1946	Covington .	
D. 175,016	6/1955	Cote	D15/8
D. 182,061	2/1958	Cote	D15/8
D. 183,407	8/1958	Schaefer	D15/8
D. 241,324	9/1976	Wright	D12/29
D. 260,203	8/1981	Arnold	D6/17
D. 275,913	10/1984	Mulligan	D6/301
D. 310,603	9/1990	Keller	D6/349
D. 335,566	5/1993	Spriggs et al.	D34/14
D. 427,790	7/2000	Gargan	D6/338
647,527	4/1900	Schleuning .	
1,582,346	4/1926	Oster .	
1,951,960	3/1934	Anduaga .	
2,503,785	11/1950	Rocca .	
2,515,474	7/1950	Ryder .	

FIG. 1 is a right side perspective view of the drawing horse and drafting table.

FIG. 2 is a front elevational view of the drawing horse and drafting table shown in FIG. 1;

FIG. 3 is a right side view of the drawing horse and drafting table shown in FIG. 1;

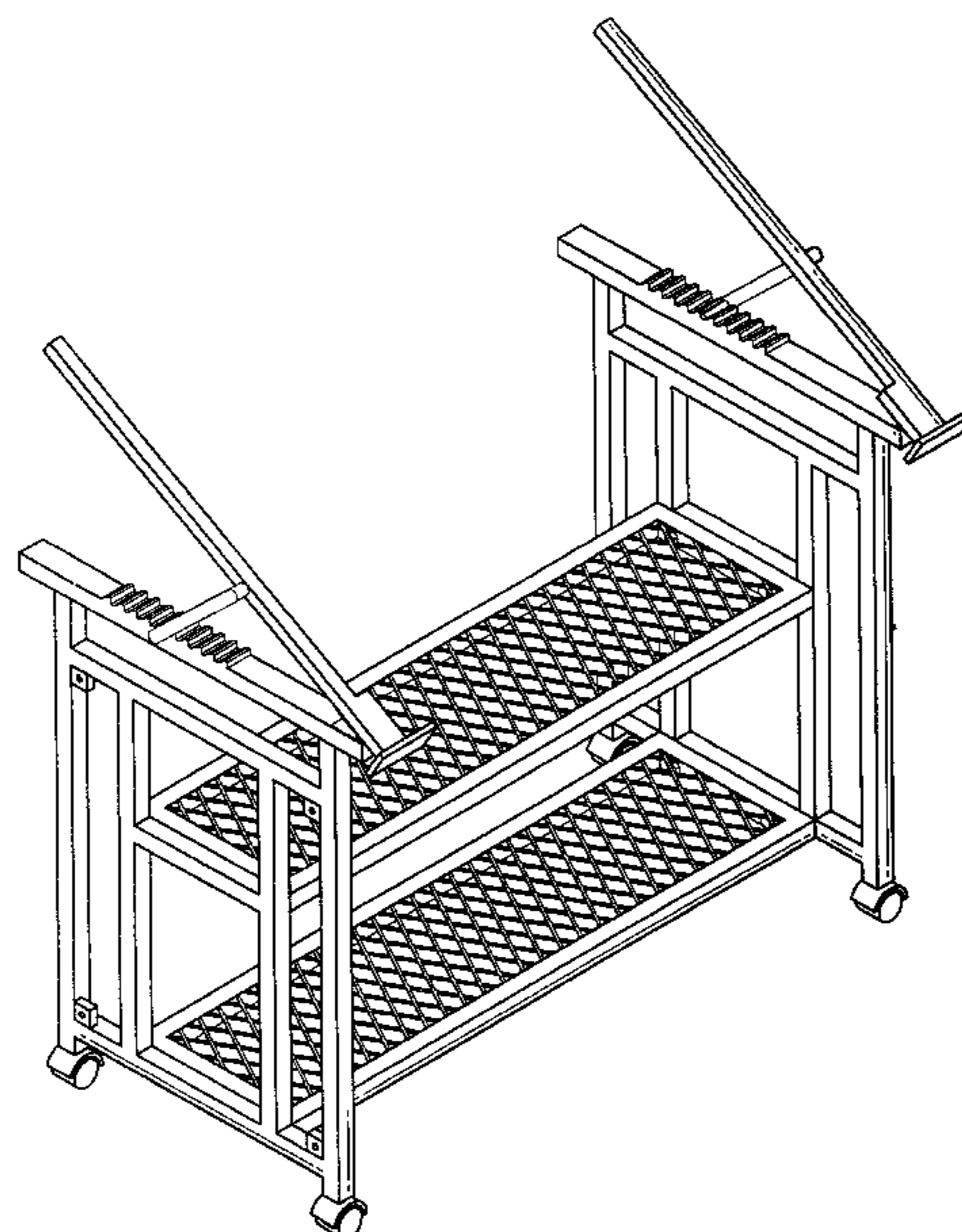
FIG. 4 is a left side view of the drawing horse and drafting table shown in FIG. 1;

FIG. 5 is a rear elevational view of the drawing horse and drafting table shown in FIG. 1;

FIG. 6 is a top view of the drawing horse and drafting table shown in FIG. 1; and,

FIG. 7 is a bottom view of the drawing horse and drafting table shown in FIG. 1.

1 Claim, 7 Drawing Sheets



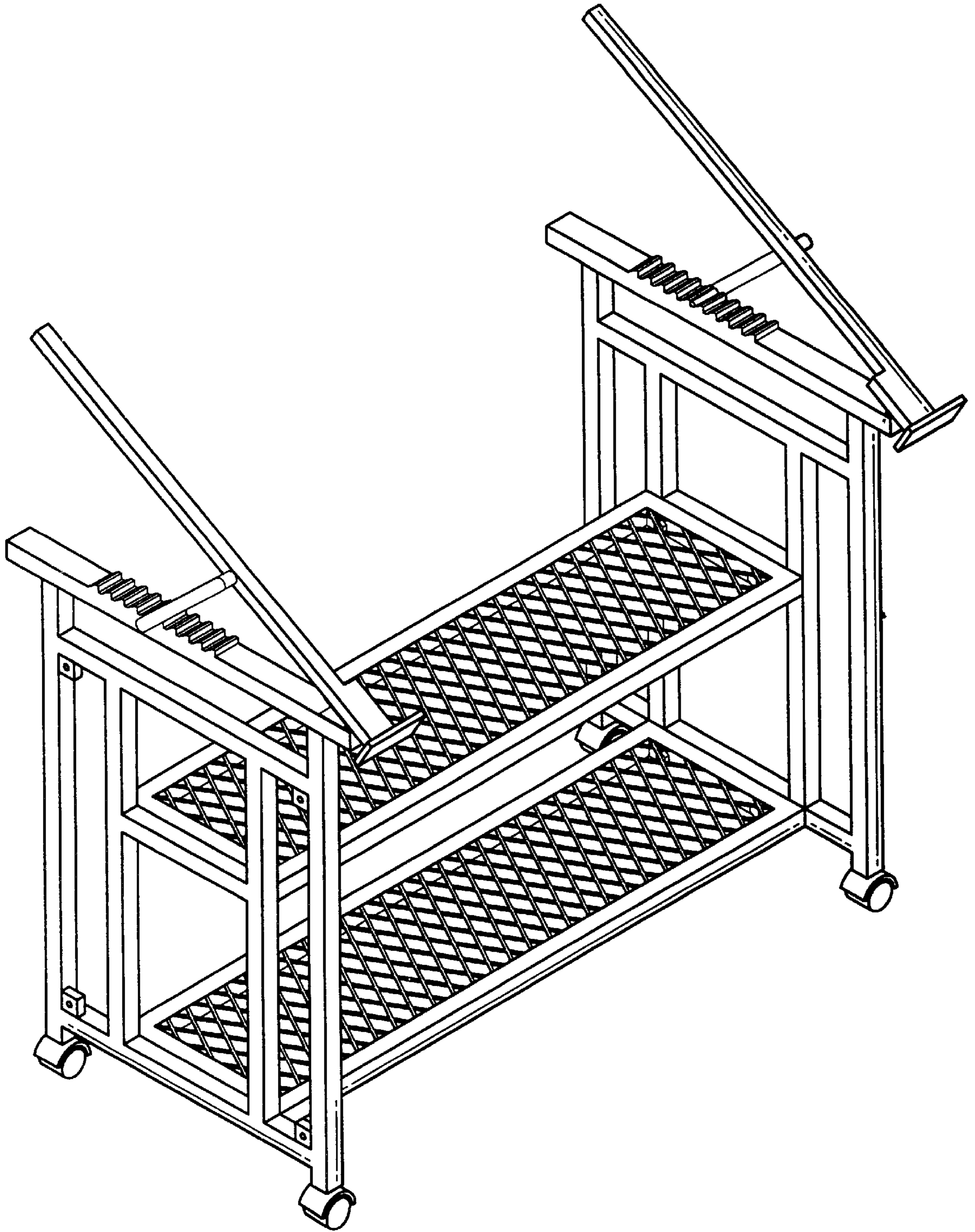


FIG. 1

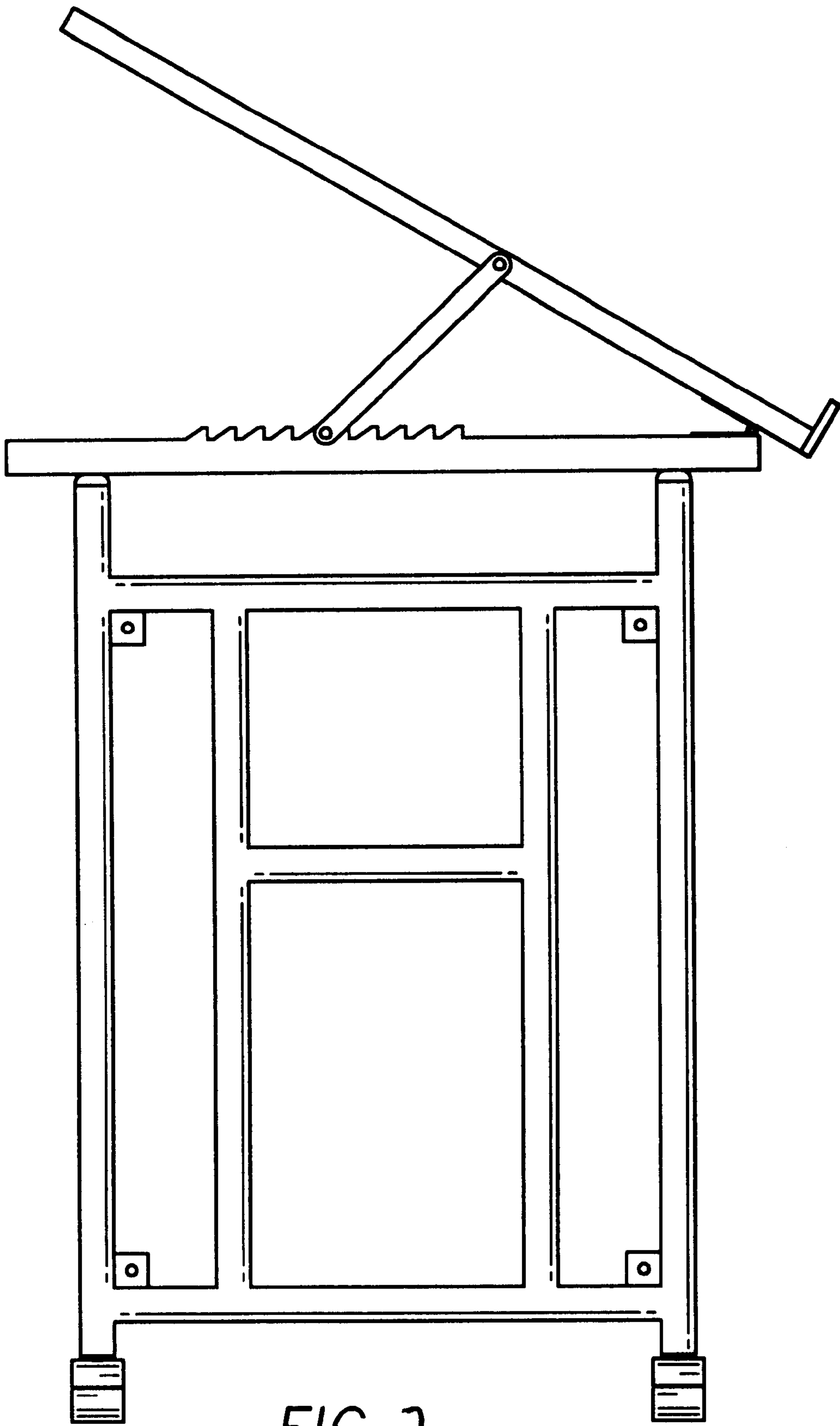


FIG. 2

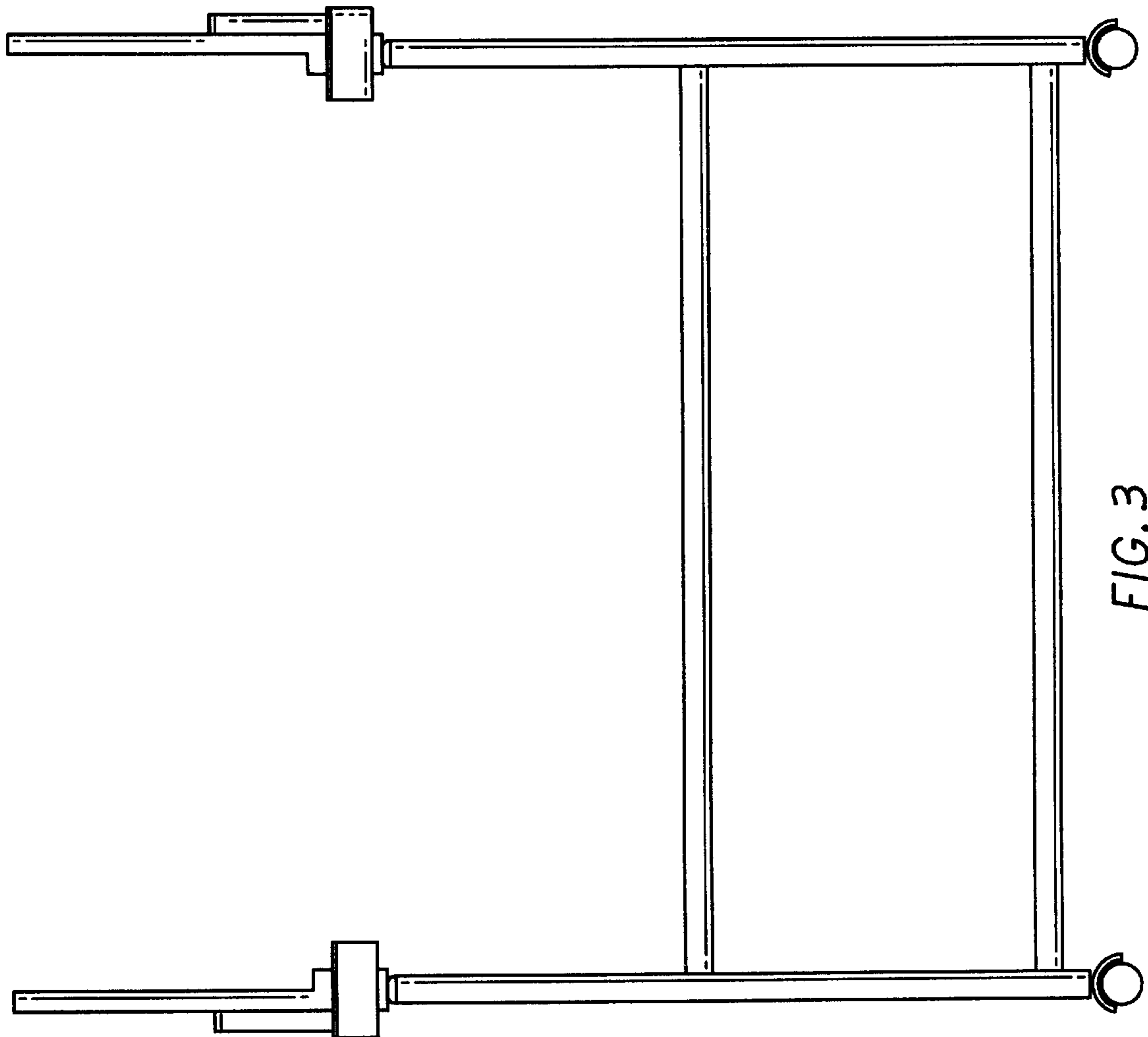


FIG. 3

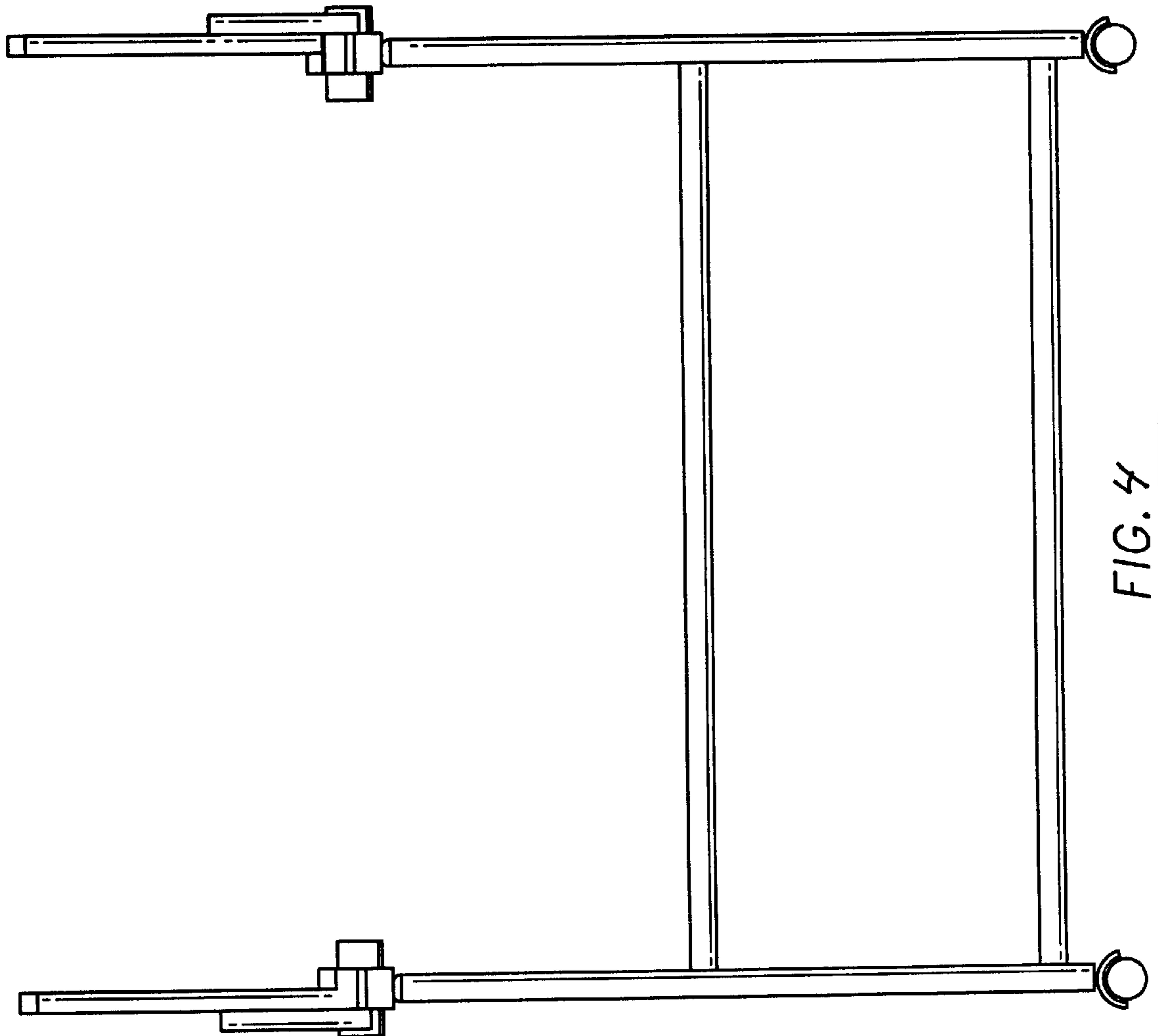


FIG. 4

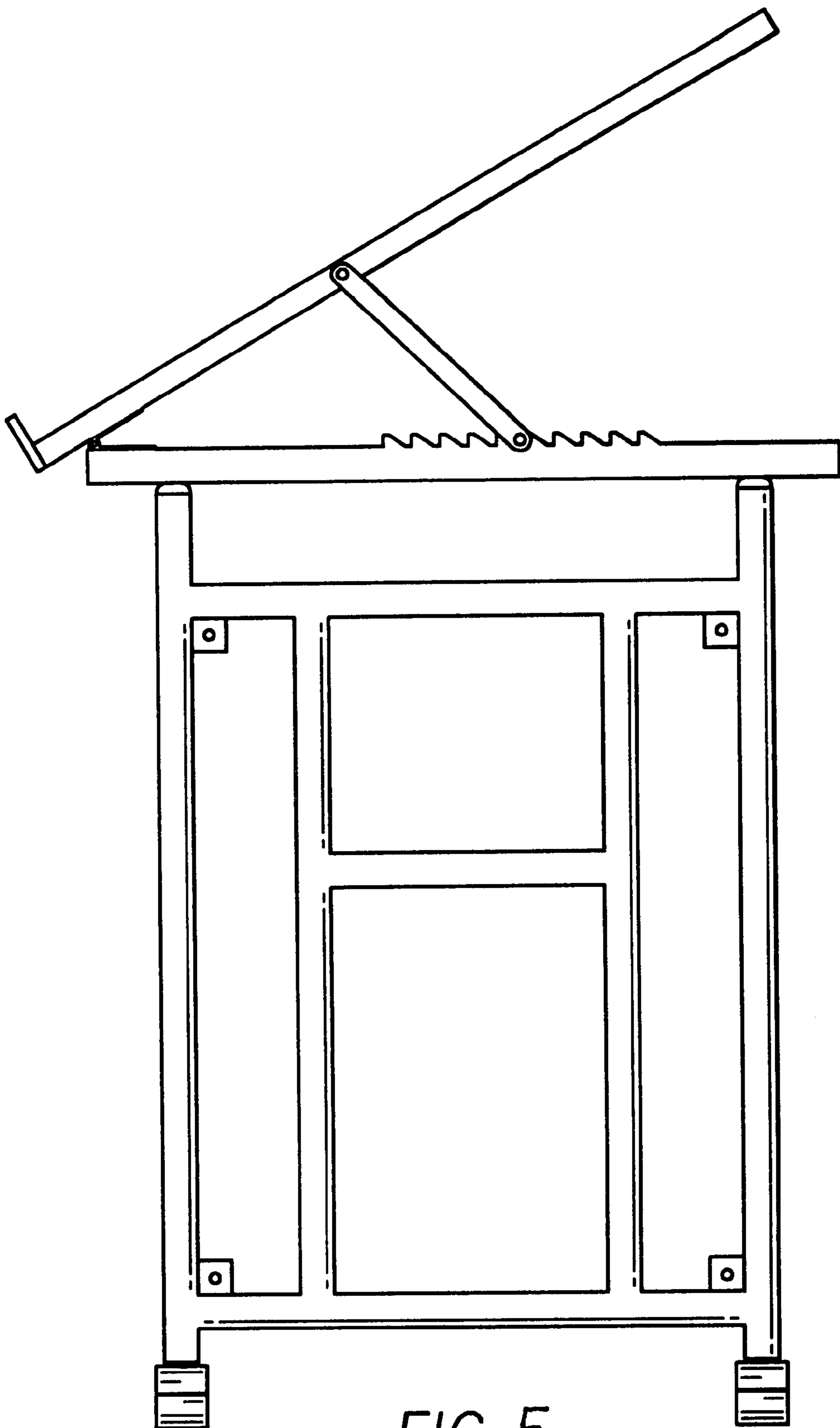


FIG. 5

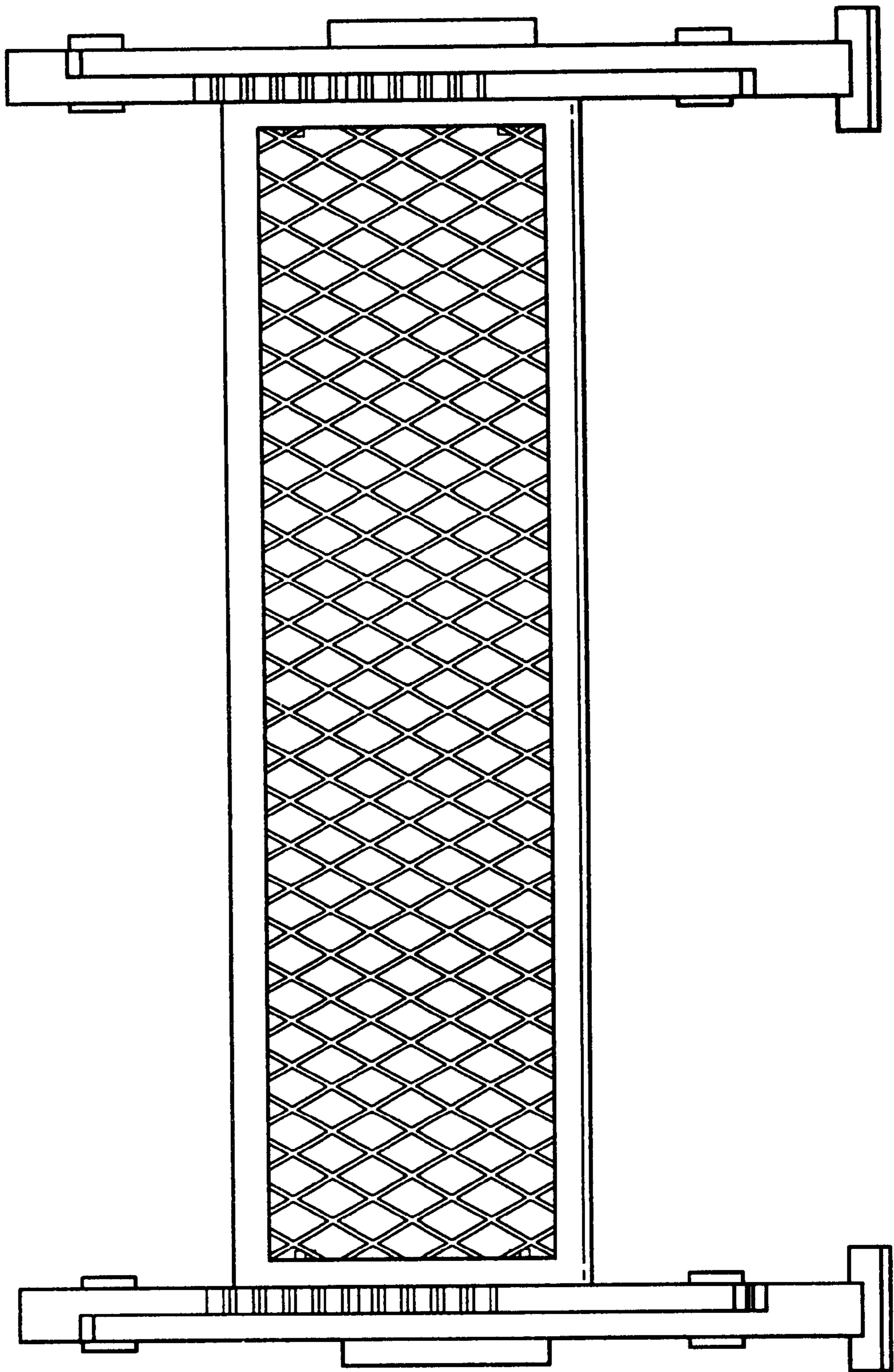


FIG. 6

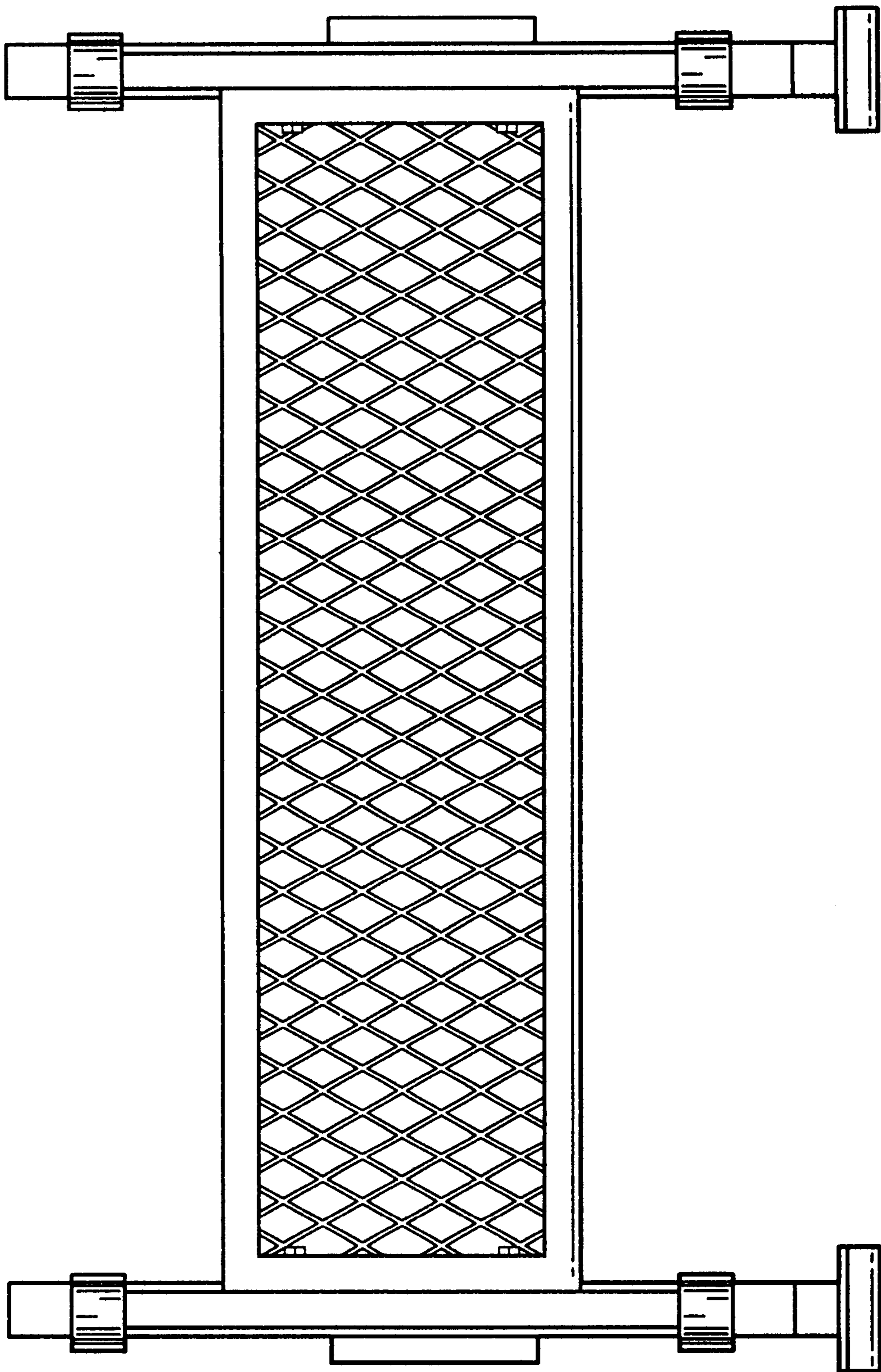


FIG. 7