



US00D441965S

(12) **United States Design Patent**  
**Lewis**

(10) **Patent No.:** **US D441,965 S**  
(45) **Date of Patent:** **\*\* May 15, 2001**

(54) **SET OF SURFACE PATTERNS FOR A TAPESTRY FOR A CHAIR**

**DESCRIPTION**

(76) **Inventor:** **Sally Sirkin Lewis**, 715 Canon Dr., Beverly Hills, CA (US) 90210

(\*\*) **Term:** **14 Years**

(21) **Appl. No.:** **29/120,304**

(22) **Filed:** **Mar. 17, 2000**

(51) **LOC (7) Cl.** ..... **05-06**

(52) **U.S. Cl.** ..... **D5/62**

(58) **Field of Search** ..... D5/20, 35, 55, D5/60, 61, 62, 99; 428/187, 542.2, 542.6, 904.4; D6/334, 379, 380, 500, 501, 502, 611

(56) **References Cited**

**U.S. PATENT DOCUMENTS**

D. 50,887	6/1917	Godfrey .	
D. 51,109	8/1917	Hanson et al. .	
D. 51,320	10/1917	Nathan .	
D. 68,724	* 11/1925	Marwede .....	D5/62
D. 78,731	6/1929	Danzer .	
D. 88,196	* 11/1932	Willheim .....	D5/62
D. 88,528	12/1932	George .	
D. 88,693	* 12/1932	Villani .....	D5/62
D. 88,826	* 12/1932	Roberson .....	D5/62
D. 89,266	2/1933	Schweizer .	
D. 89,357	* 2/1933	Rubinger .....	D5/62
D. 91,880	4/1934	Herrel .	
D. 96,016	* 6/1935	Bruine .....	D5/62
D. 100,433	* 7/1936	Martin .....	D5/62
D. 101,988	11/1936	Heim .	
D. 103,093	2/1937	Chiat .	
D. 105,961	* 9/1937	Mallinson .....	D5/62

(List continued on next page.)

*Primary Examiner*—Robert M. Spear  
(74) *Attorney, Agent, or Firm*—Finnegan, Henderson, Farabow, Garrett & Dunner, L.L.P.

(57) **CLAIM**

The ornamental design for set of surface patterns for a tapestry for a chair, as shown and described.

FIG. 1 is a front and side perspective view of my set of surface patterns for a tapestry for a chair according to a first embodiment;

FIG. 2 is a back and side perspective view of the set of surface patterns for a tapestry for a chair of FIG. 1;

FIG. 3 is a front view of the set of surface patterns for a tapestry for a chair of FIG. 1;

FIG. 4 is a top view of the set of surface patterns for a tapestry for a chair of FIG. 1;

FIG. 5 is a left side view of the set of surface patterns for a tapestry for a chair of FIG. 1;

FIG. 6 is a right side view of the set of surface patterns for a tapestry for a chair of FIG. 1;

FIG. 7 is a rear view of the set of surface patterns for a tapestry for a chair of FIG. 1;

FIG. 8 is a front and side perspective view of my set of surface patterns for a tapestry for a chair according to a second embodiment;

FIG. 9 is a back and side perspective view of the set of surface patterns for a tapestry for a chair of FIG. 8;

FIG. 10 is a front view of the set of surface patterns for a tapestry for a chair of FIG. 8;

FIG. 11 is a top view of the set of surface patterns for a tapestry for a chair of FIG. 8;

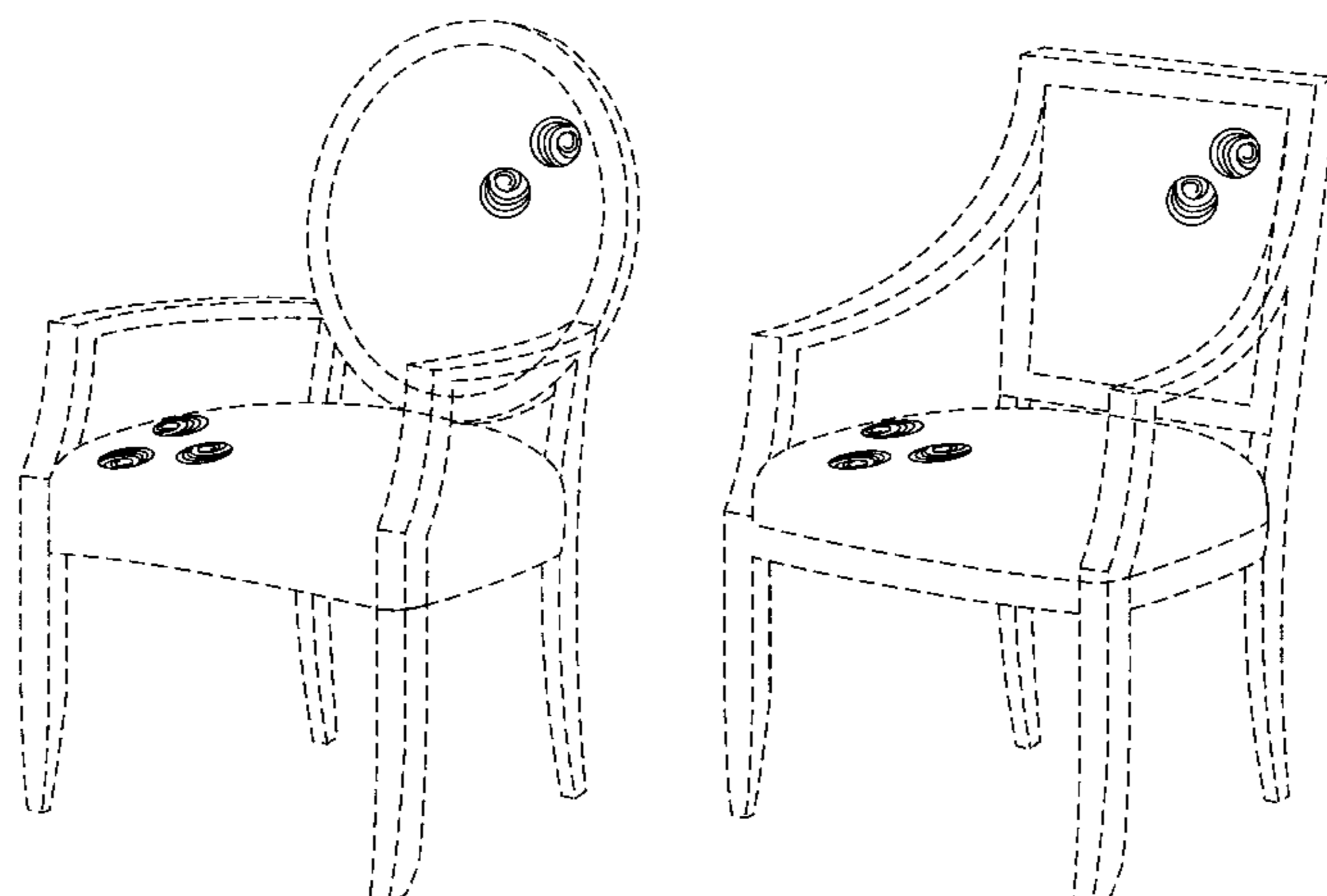
FIG. 12 is a left side view of the set of surface patterns for a tapestry for a chair of FIG. 8;

FIG. 13 is a right side view of the set of surface patterns for a tapestry for a chair of FIG. 8; and,

FIG. 14 is a rear view of the set of surface patterns for a tapestry for a chair of FIG. 8.

In the drawings, the broken lines adjacent to each pattern define the boundaries of the claimed patterns as well as the tapestry to which the patterns are applied; the broken line showings of a chair are for illustrative purposes only. The broken lines form no part of the claimed design.

**1 Claim, 14 Drawing Sheets**



# US D441,965 S

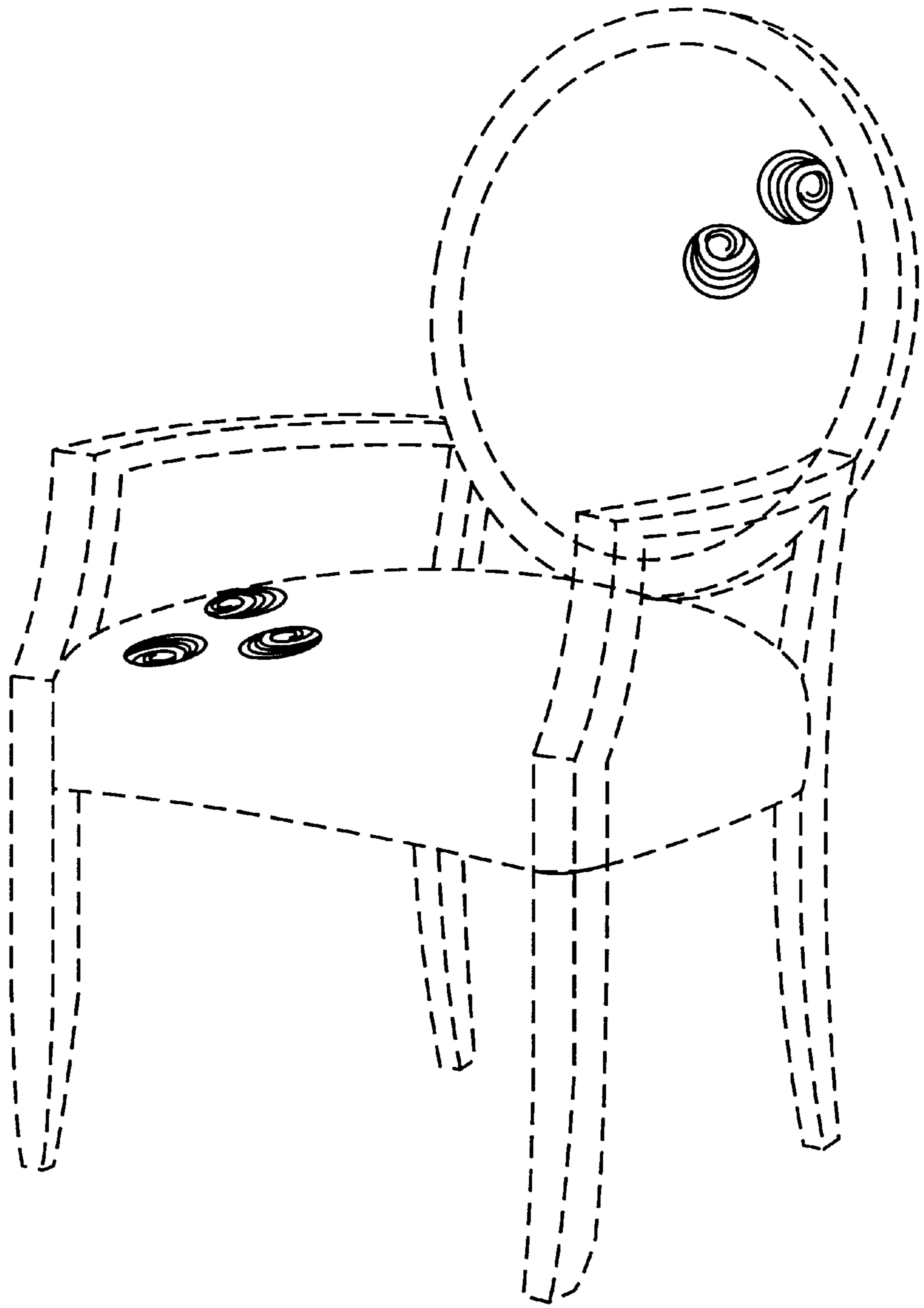
Page 2

---

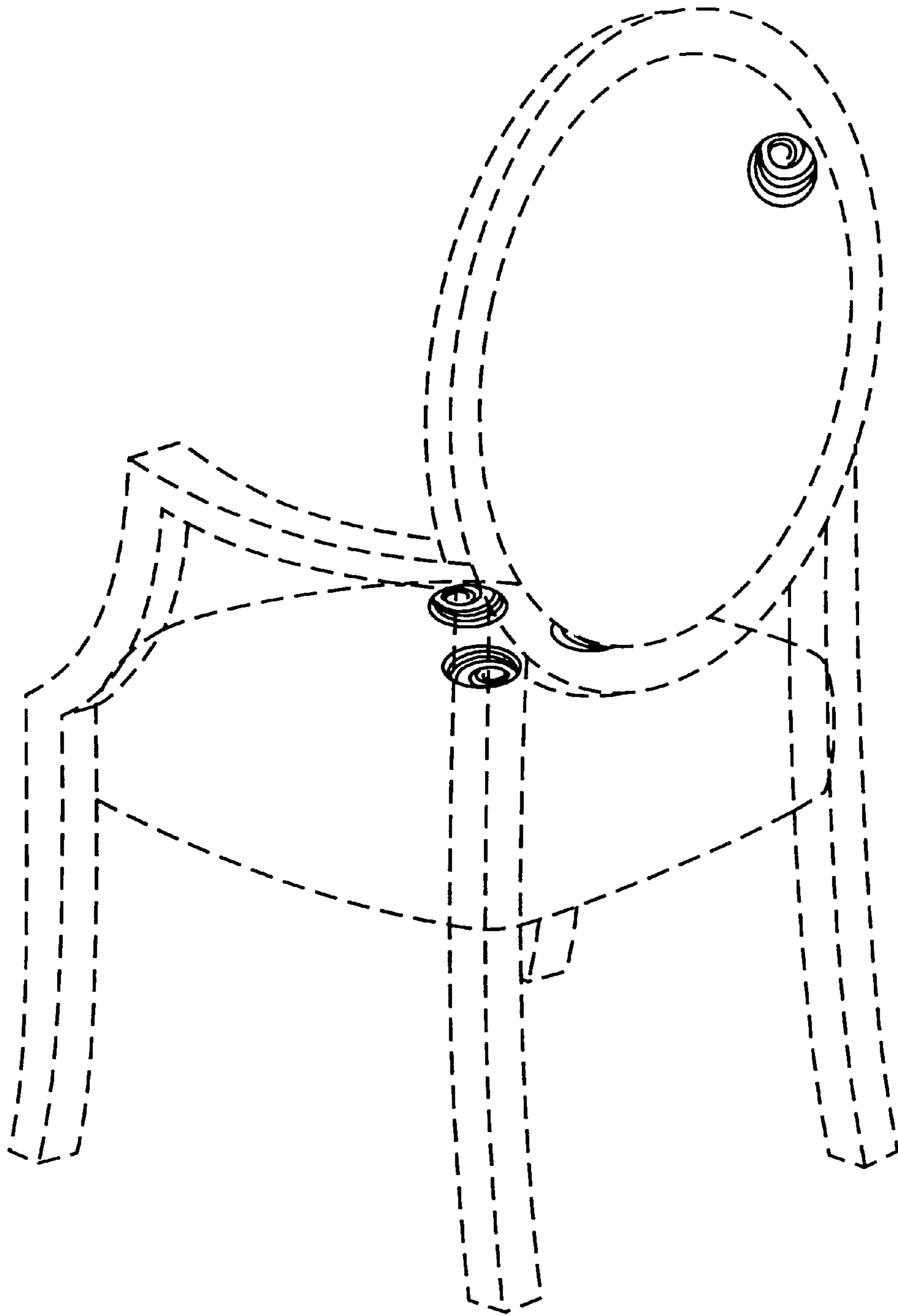
## U.S. PATENT DOCUMENTS

D. 109,423	4/1938	Salomon .	D. 186,259	9/1959	Howell .
D. 113,303	2/1939	Kornfeld .	D. 191,936	12/1961	McEwan .
D. 119,495	3/1940	Grivin .	D. 283,973	* 5/1986	Hougaard ..... D5/62
D. 121,041	6/1940	Orian .	D. 317,085	5/1991	Cerny .
D. 122,735	9/1940	Christen .	D. 342,629	* 12/1993	Tseng ..... D6/370
D. 125,471	2/1941	Hand .	D. 364,743	12/1995	Lewis .
D. 125,955	3/1941	Lebworth .	D. 373,253	* 9/1996	Maple ..... D6/370
D. 129,252	8/1941	Zavell .	D. 423,834	* 5/2000	Lewis ..... D6/500
D. 129,870	10/1941	Maisch .	D. 424,334	* 5/2000	Lewis ..... D6/500
D. 155,527	10/1949	Minger .	D. 424,335	* 5/2000	Lewis ..... D6/500
D. 168,703	* 1/1953	Odzer ..... D5/62	5,067,771	* 11/1991	Ellis ..... D6/500 X

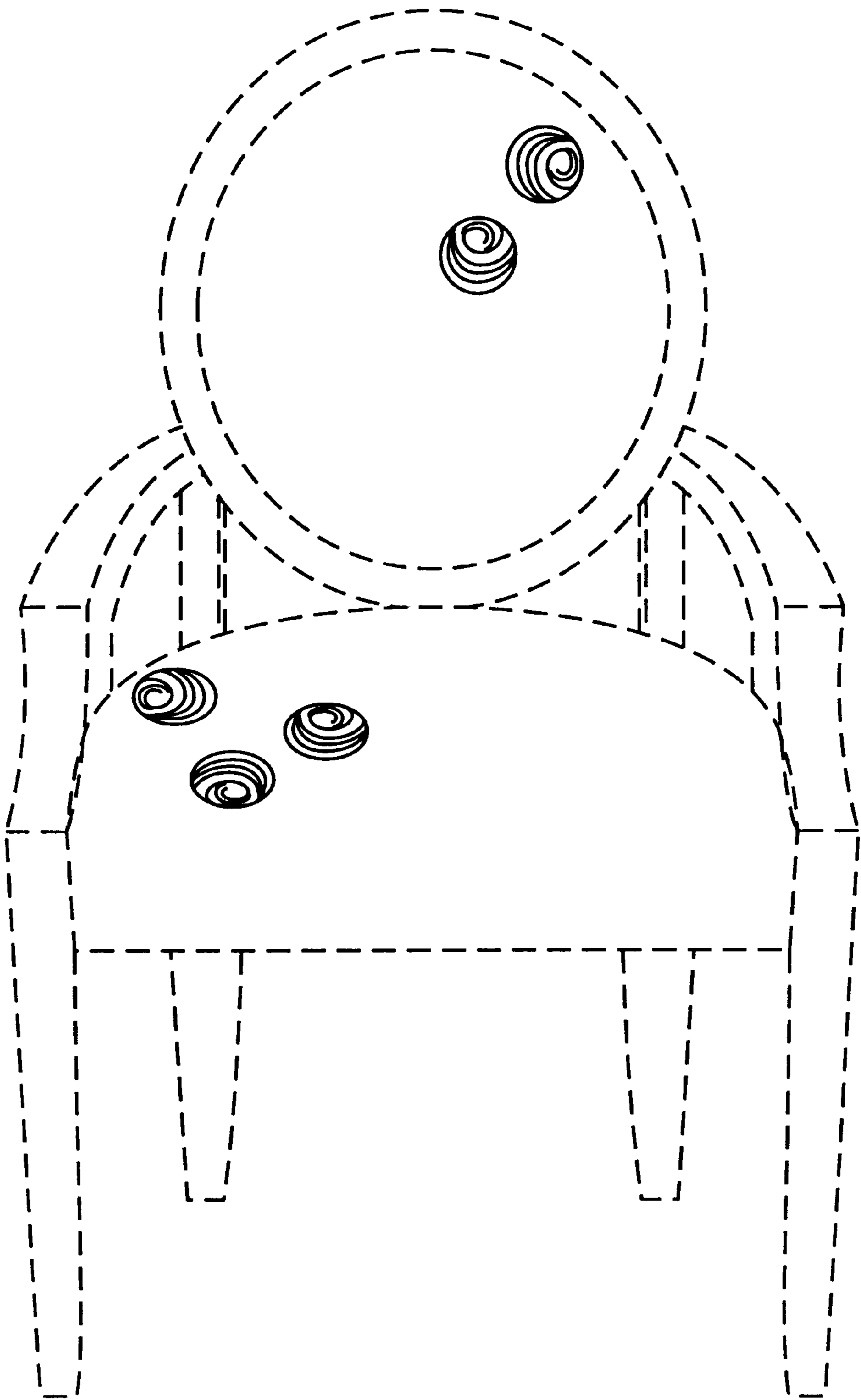
\* cited by examiner



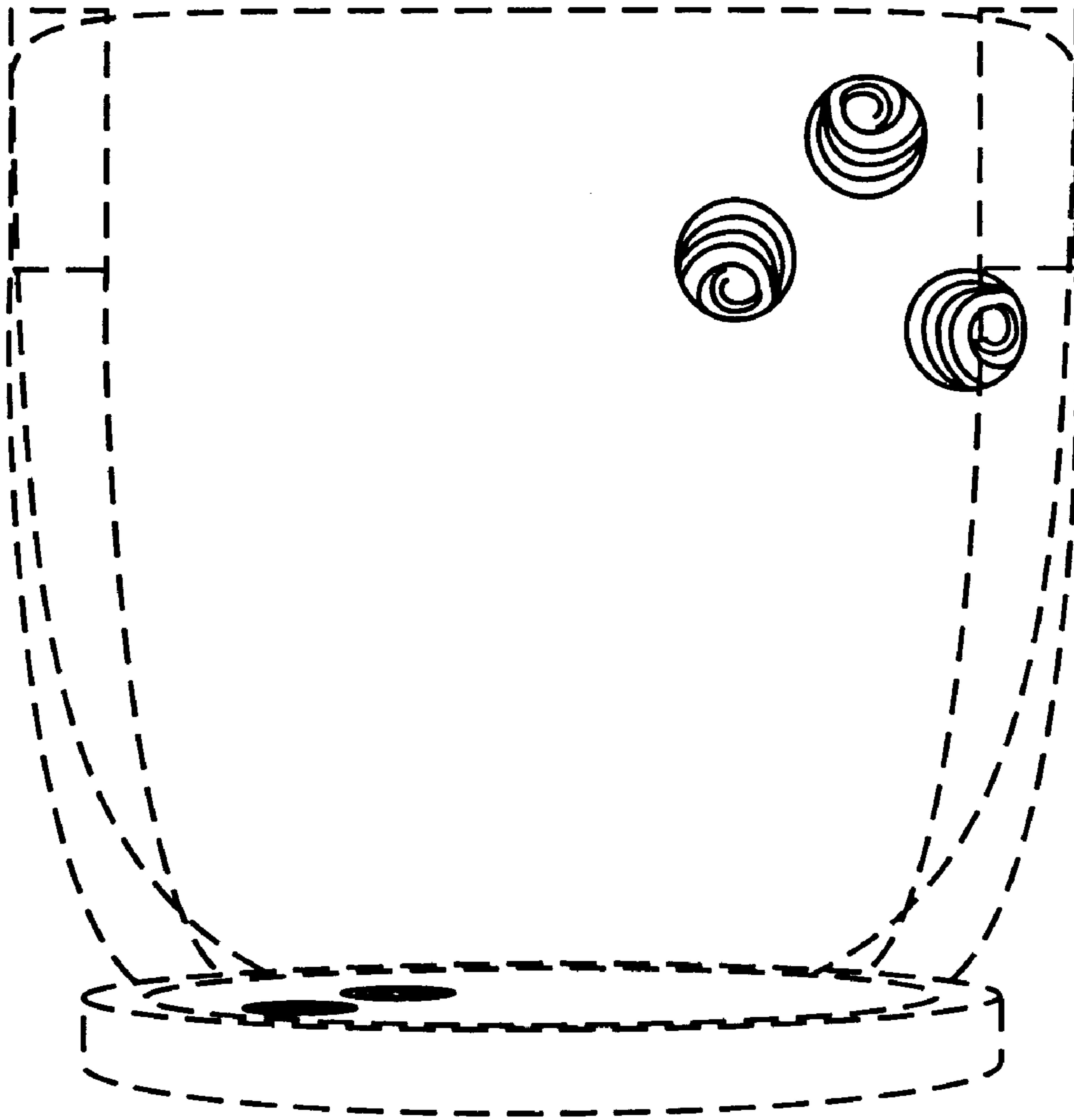
**FIG. 1**



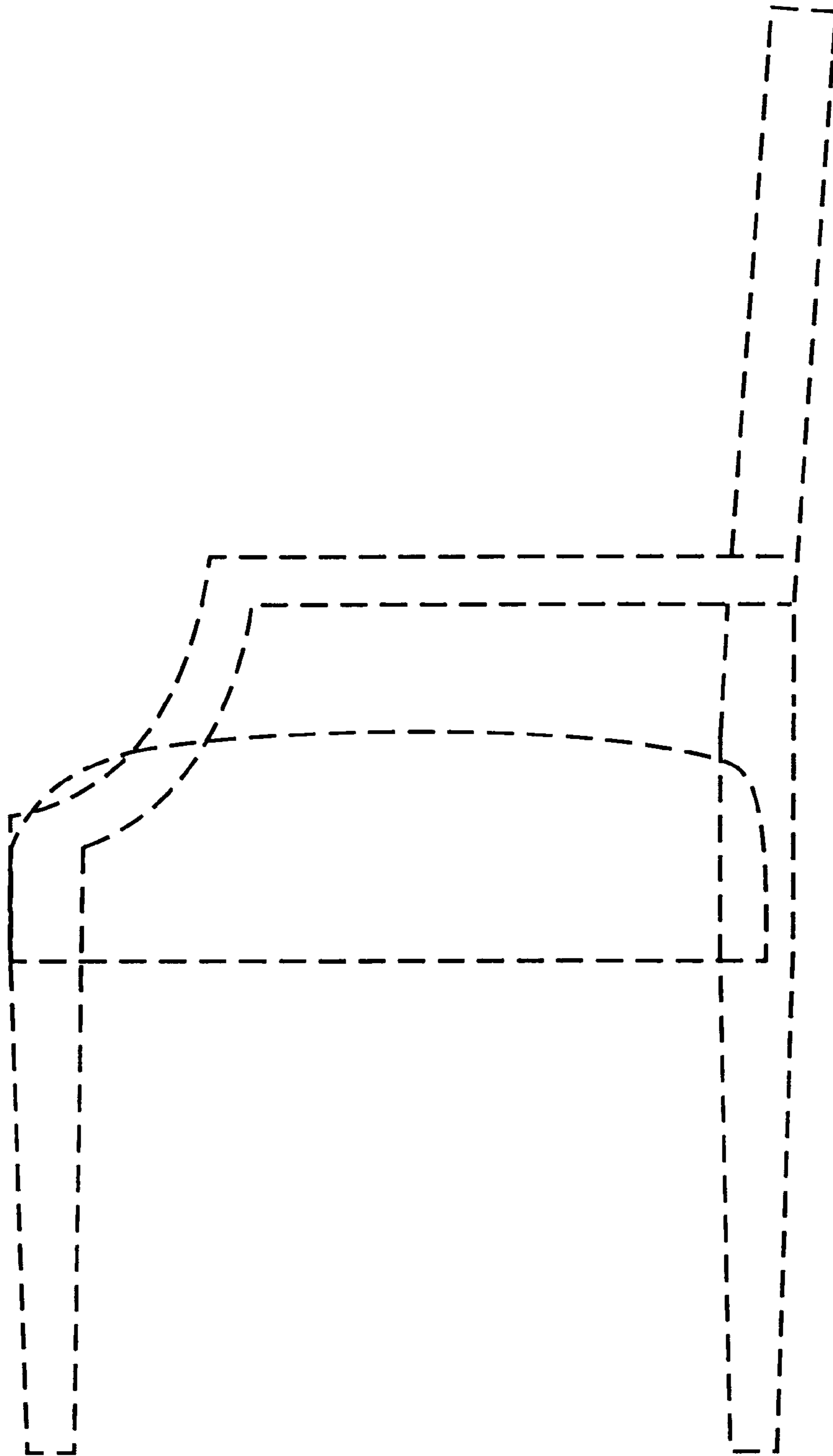
**FIG. 2**



**FIG. 3**

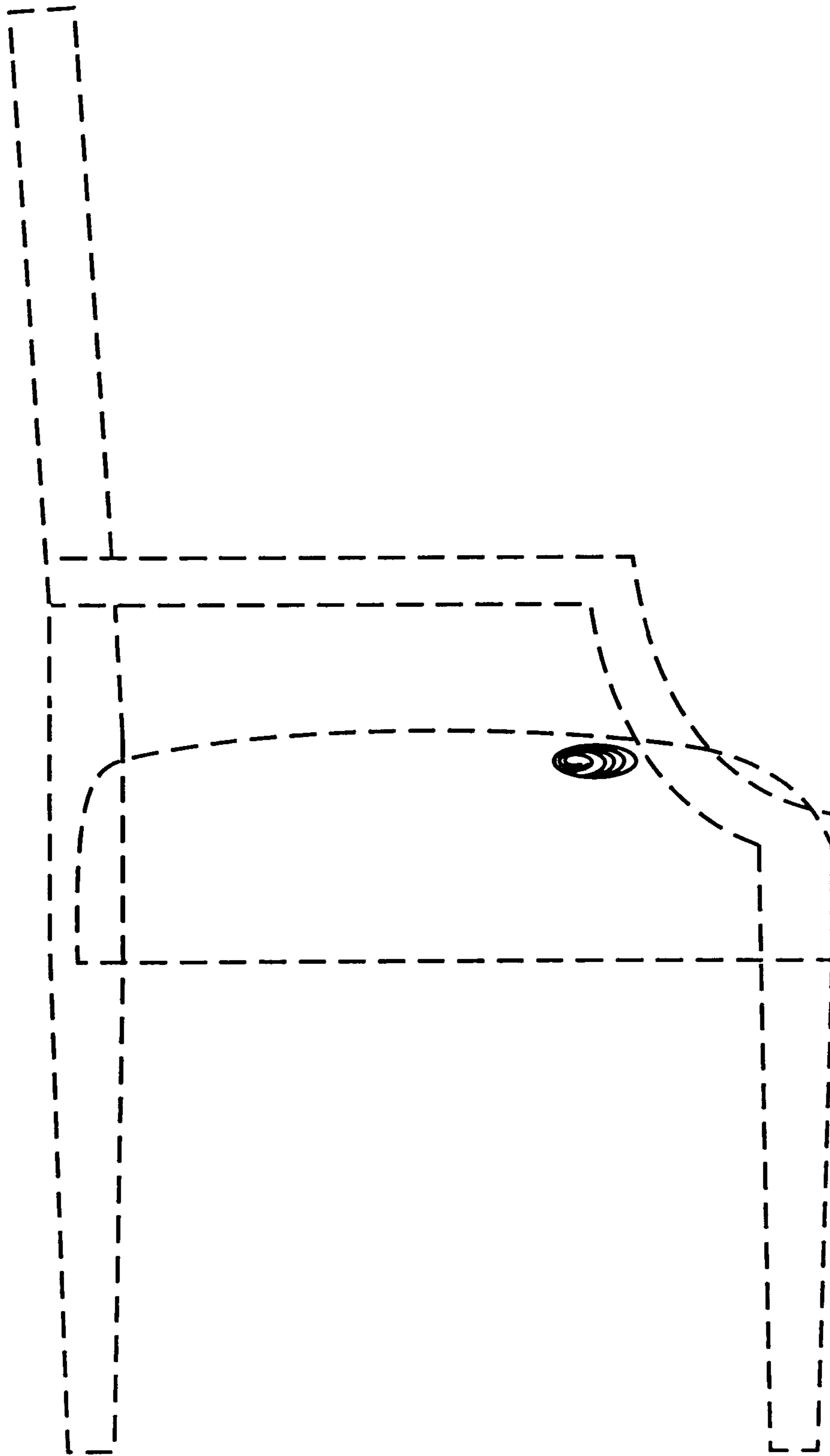


**FIG. 4**



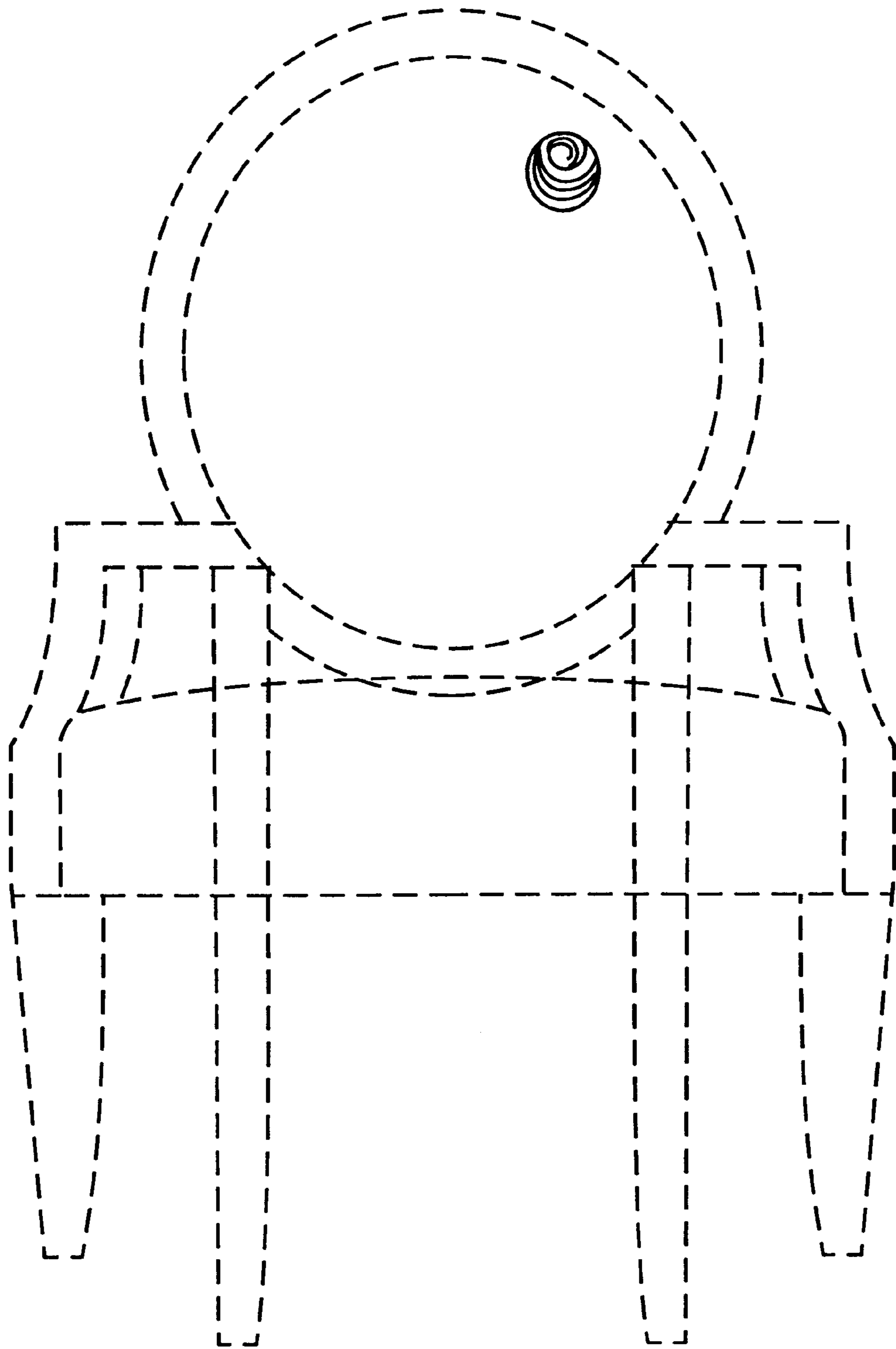
**FIG. 5**



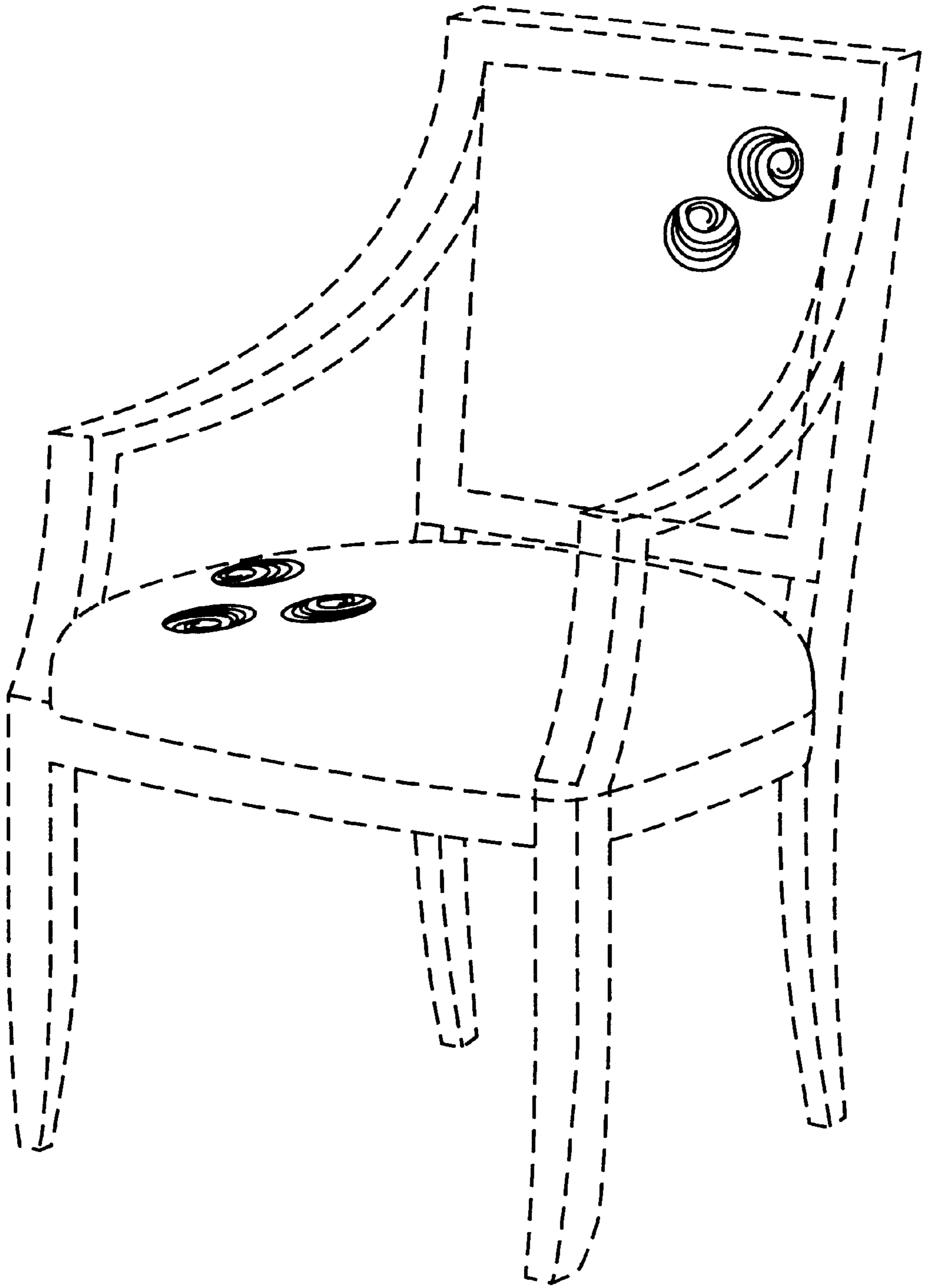


**FIG. 6**

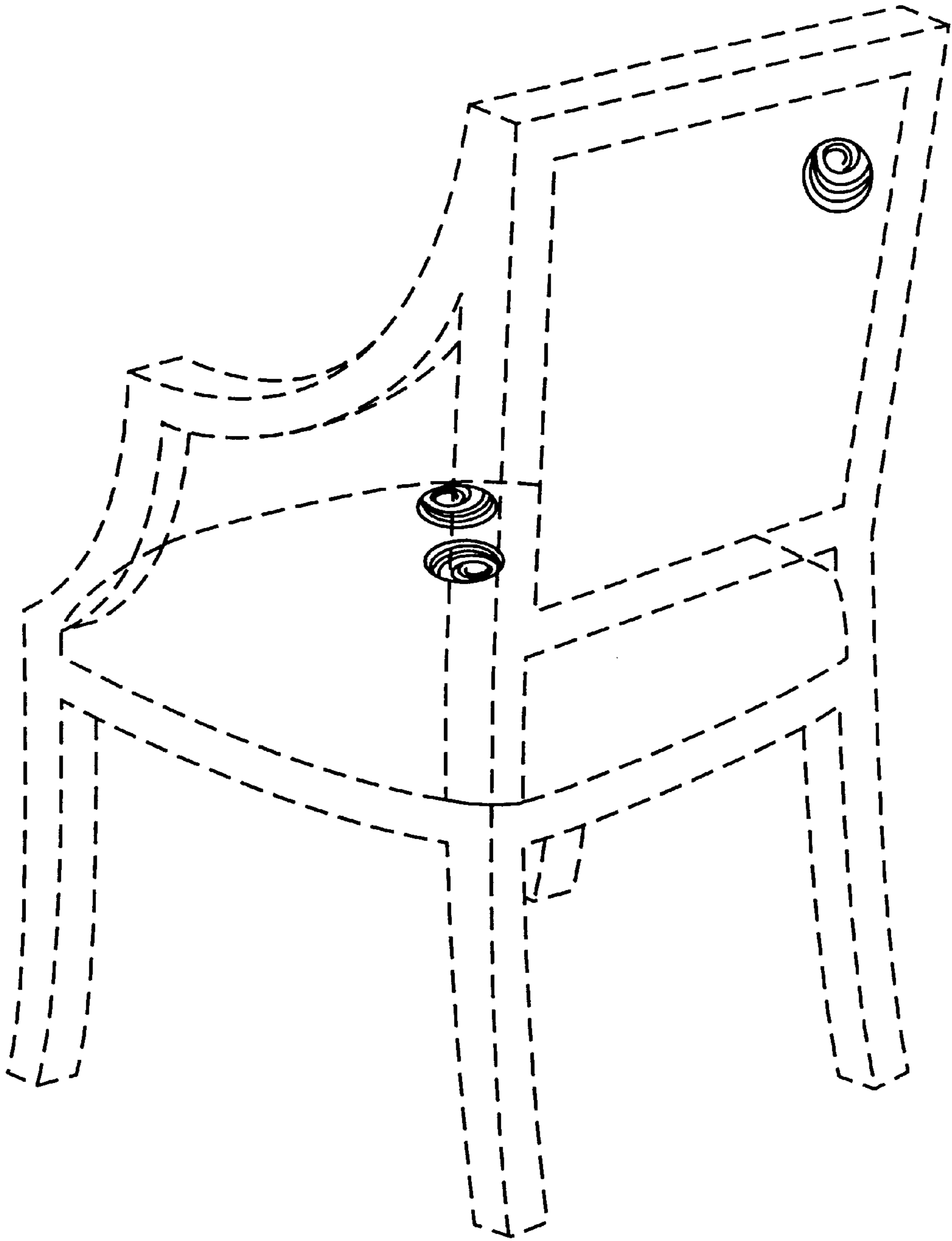




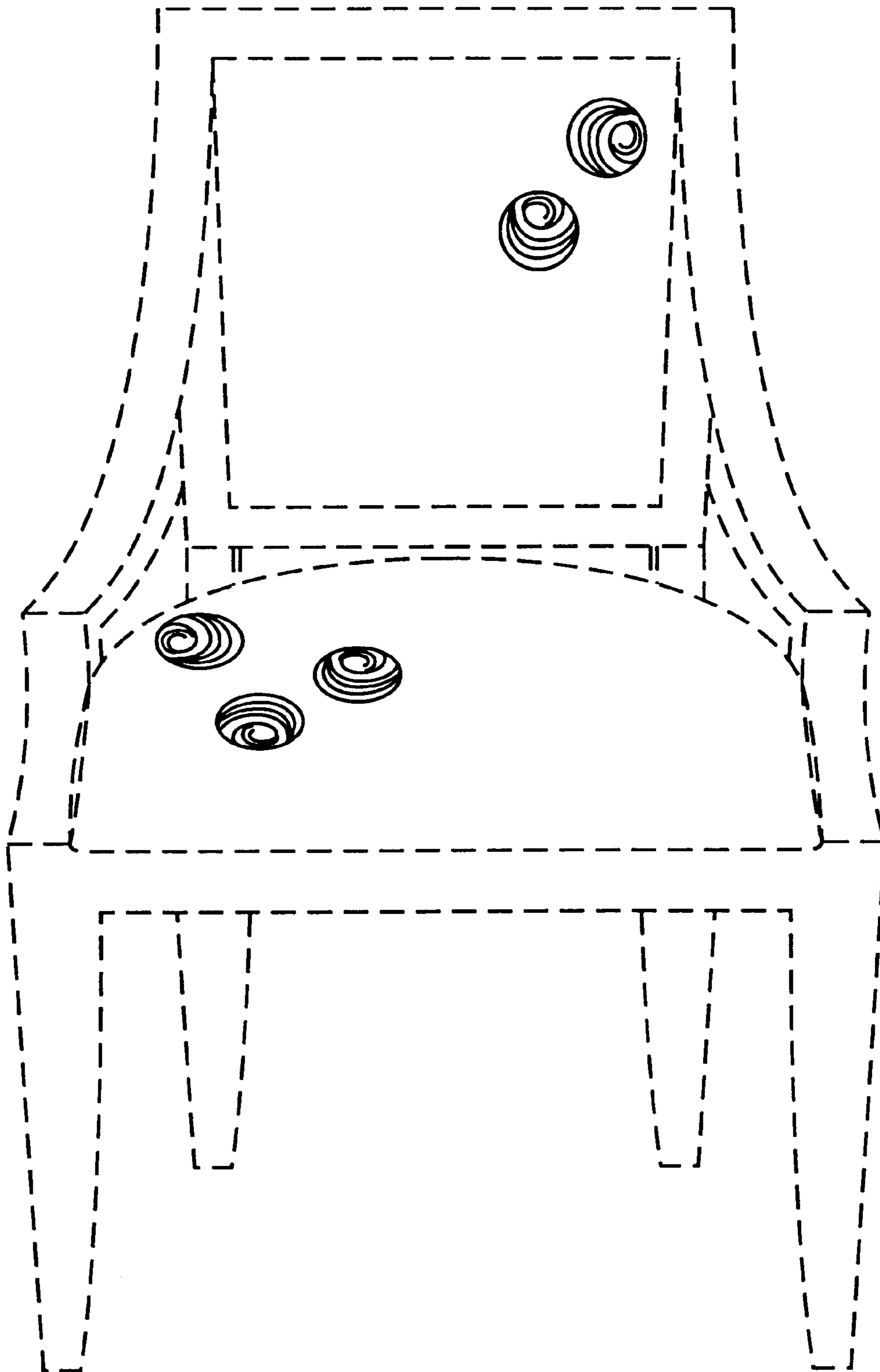
**FIG. 7**



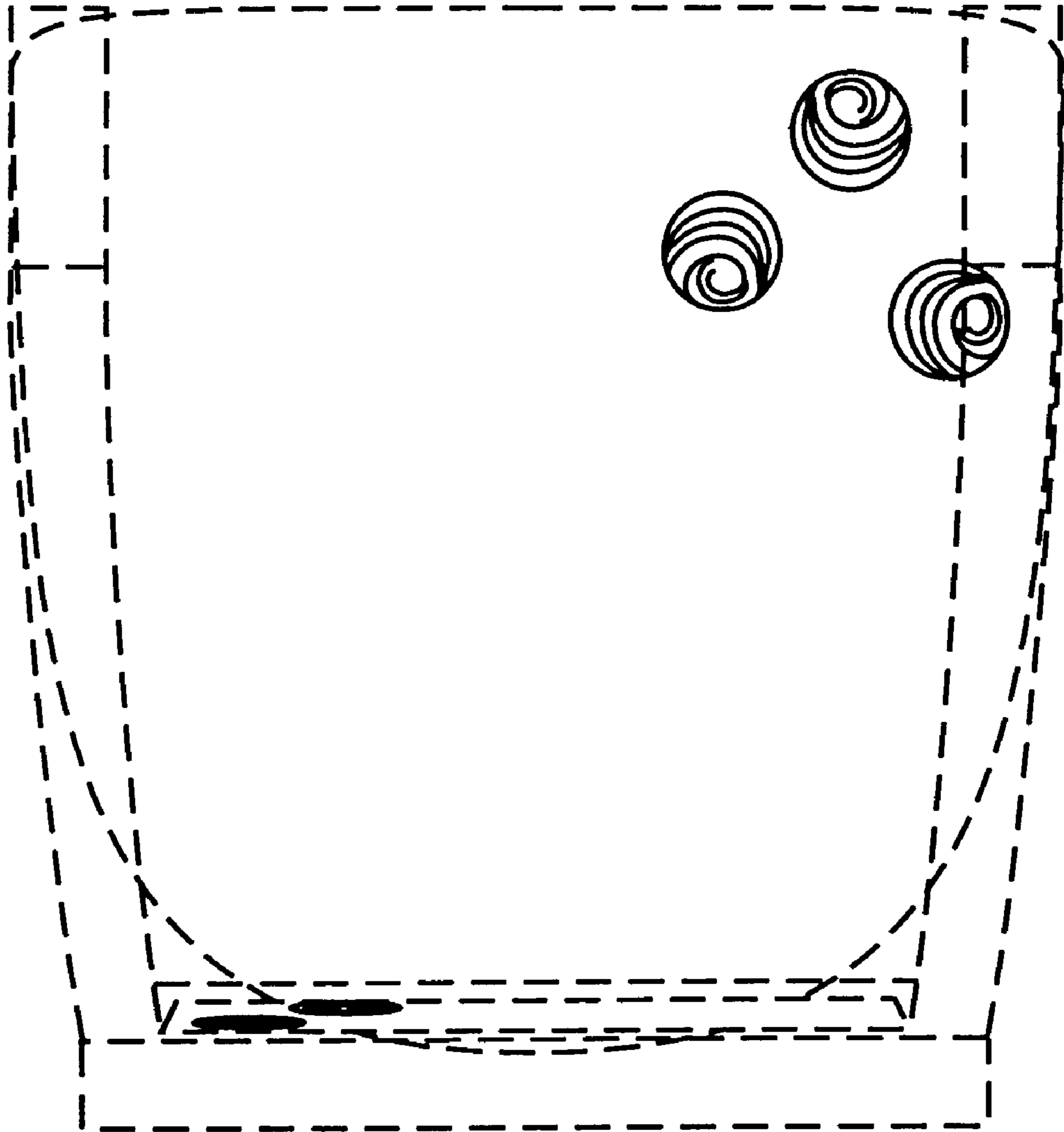
**FIG. 8**



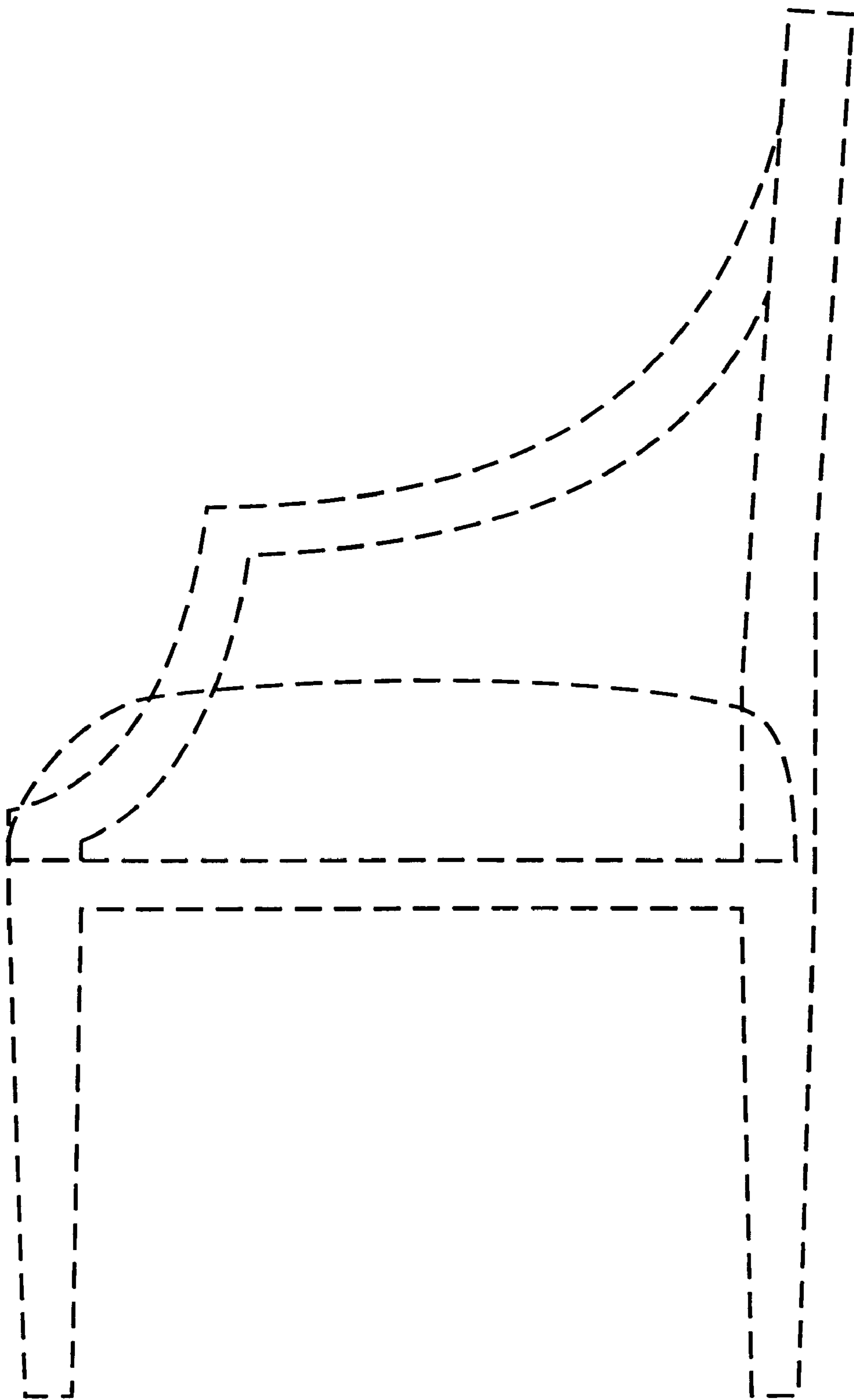
**FIG. 9**



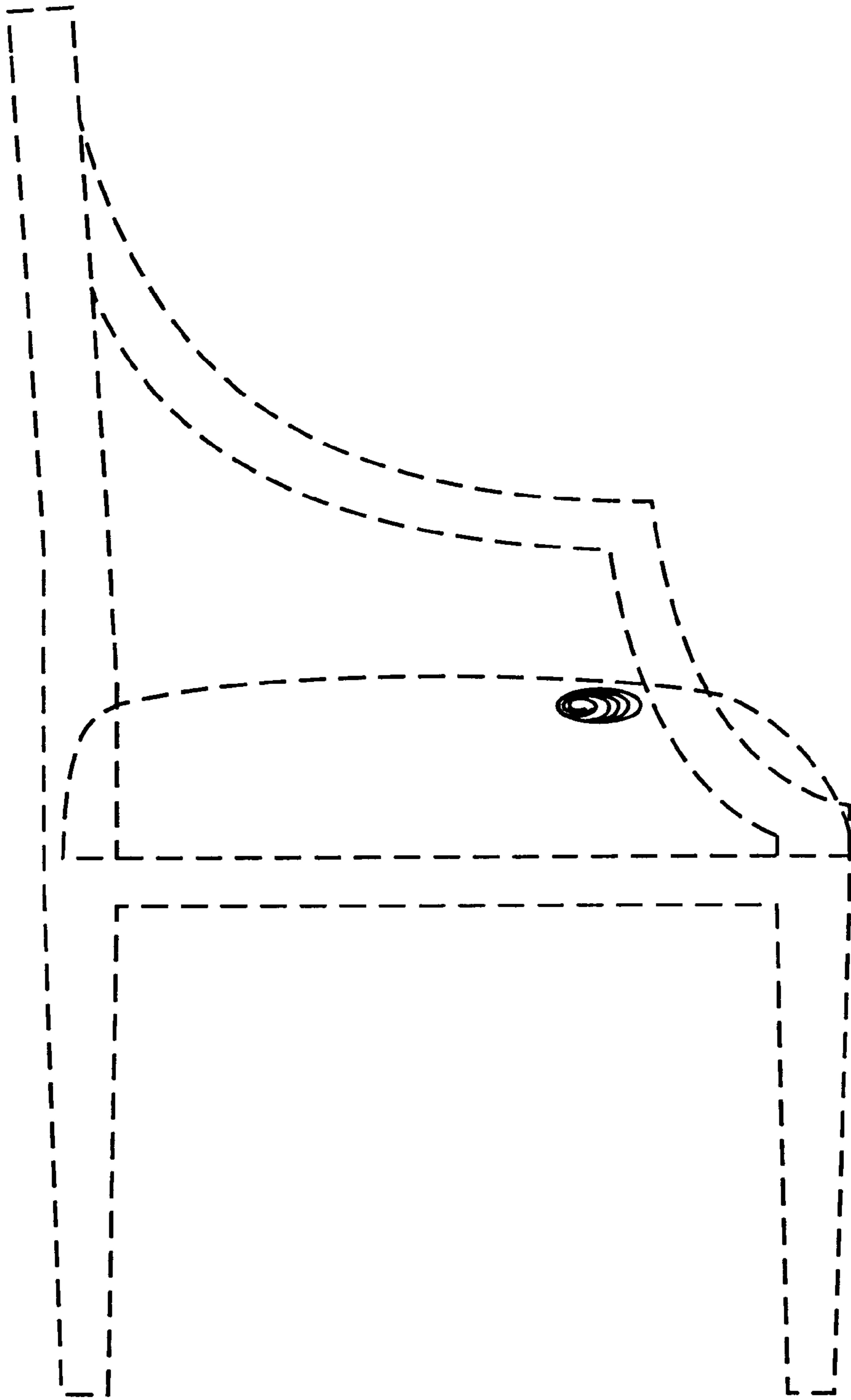
**FIG. 10**



**FIG. 11**

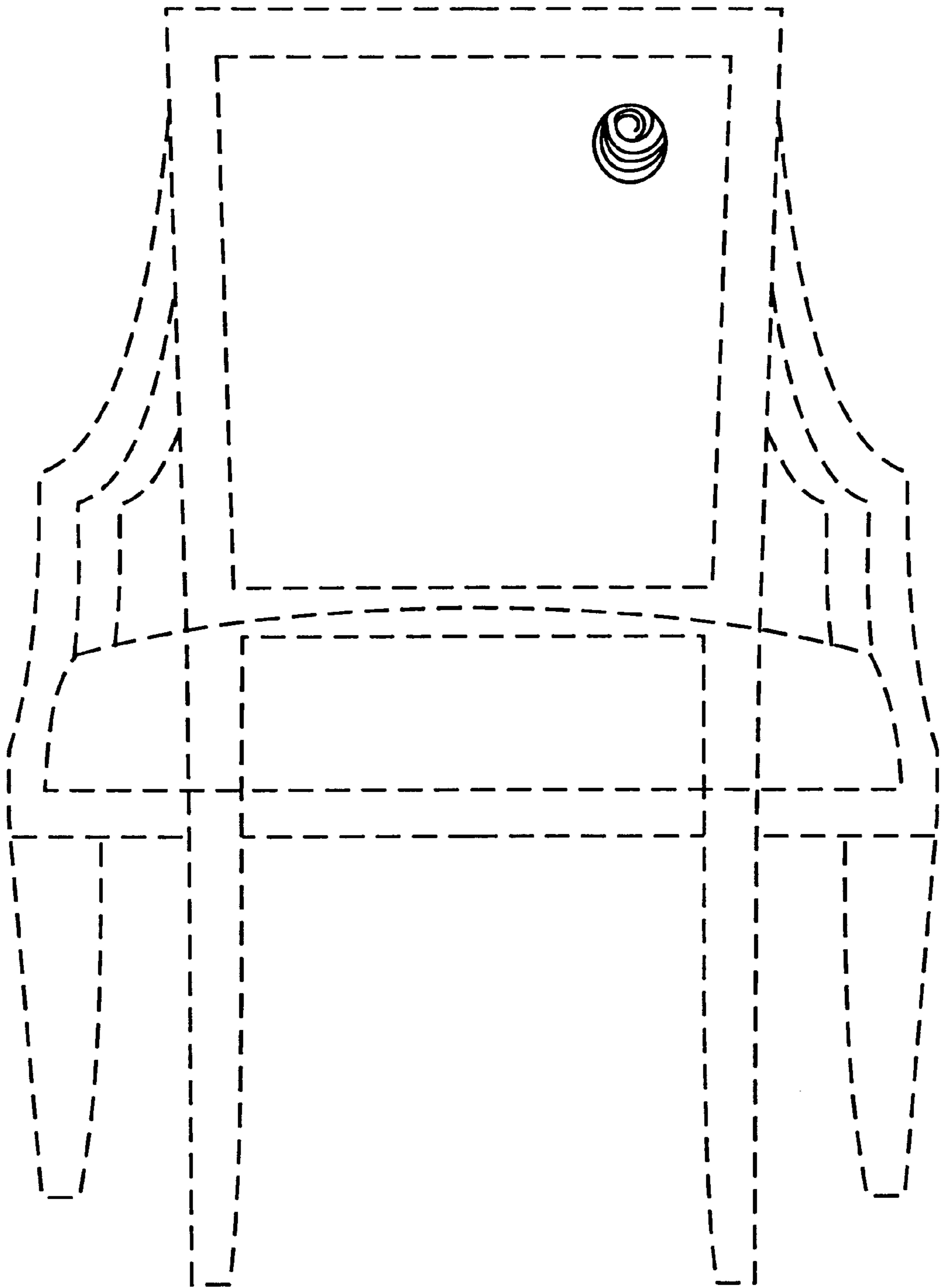


**FIG. 12**



**FIG. 13**





**FIG. 14**