



US00D441961S

(12) **United States Design Patent**  
**Gringer**

(10) **Patent No.:** **US D441,961 S**

(45) **Date of Patent:** **\*\* May 15, 2001**

(54) **FLAT BRUSH**

(75) **Inventor:** **Donald Gringer**, New York County,  
NY (US)

(73) **Assignee:** **Allway Tools, Inc.**, Bronx, NY (US)

(\*\*) **Term:** **14 Years**

(21) **Appl. No.:** **29/127,630**

(22) **Filed:** **Aug. 9, 2000**

(51) **LOC (7) Cl.** ..... **04-01**

(52) **U.S. Cl.** ..... **D4/130**

(58) **Field of Search** ..... D4/130, 132, 135,  
D4/138, 199; 15/159.1, 160, 171, 176.1,  
176.2, 186, 187, 191.1, 192, 193, 207.2

(56) **References Cited**

**U.S. PATENT DOCUMENTS**

D. 429,890 \* 8/2000 Tennant ..... D4/130  
2,432,264 \* 12/1947 Tyler ..... 15/159.1

**FOREIGN PATENT DOCUMENTS**

2432460 \* 1/1976 (DE) .

\* cited by examiner

*Primary Examiner*—Alan P. Douglas

*Assistant Examiner*—Lavone Tabor

(74) *Attorney, Agent, or Firm*—David M. Klein; Shearman  
& Sterling

(57) **CLAIM**

The ornamental design for a flat brush, as shown and described.

**DESCRIPTION**

FIG. 1 is a perspective view of the flat brush of the invention;

FIG. 2 is a top view of the flat brush shown in FIG. 1;

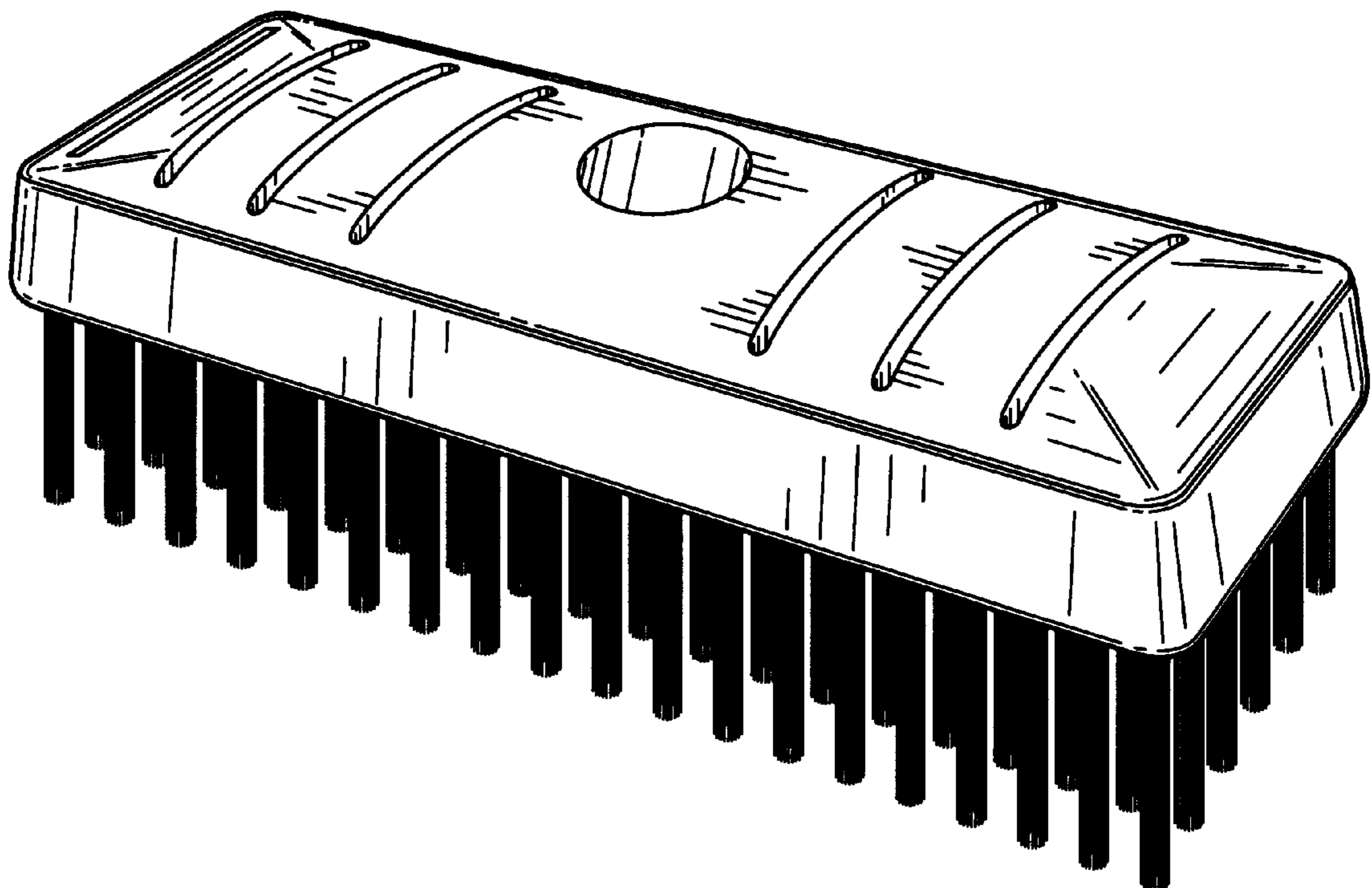
FIG. 3 is a bottom view of the flat brush shown in FIG. 1;

FIG. 4 is a left side view of the flat brush shown in FIG. 1, the right side view being a mirror image thereof;

FIG. 5 is a front view of the flat brush shown in FIG. 1; and,

FIG. 6 is a rear view of the flat brush shown in FIG. 1.

**1 Claim, 5 Drawing Sheets**



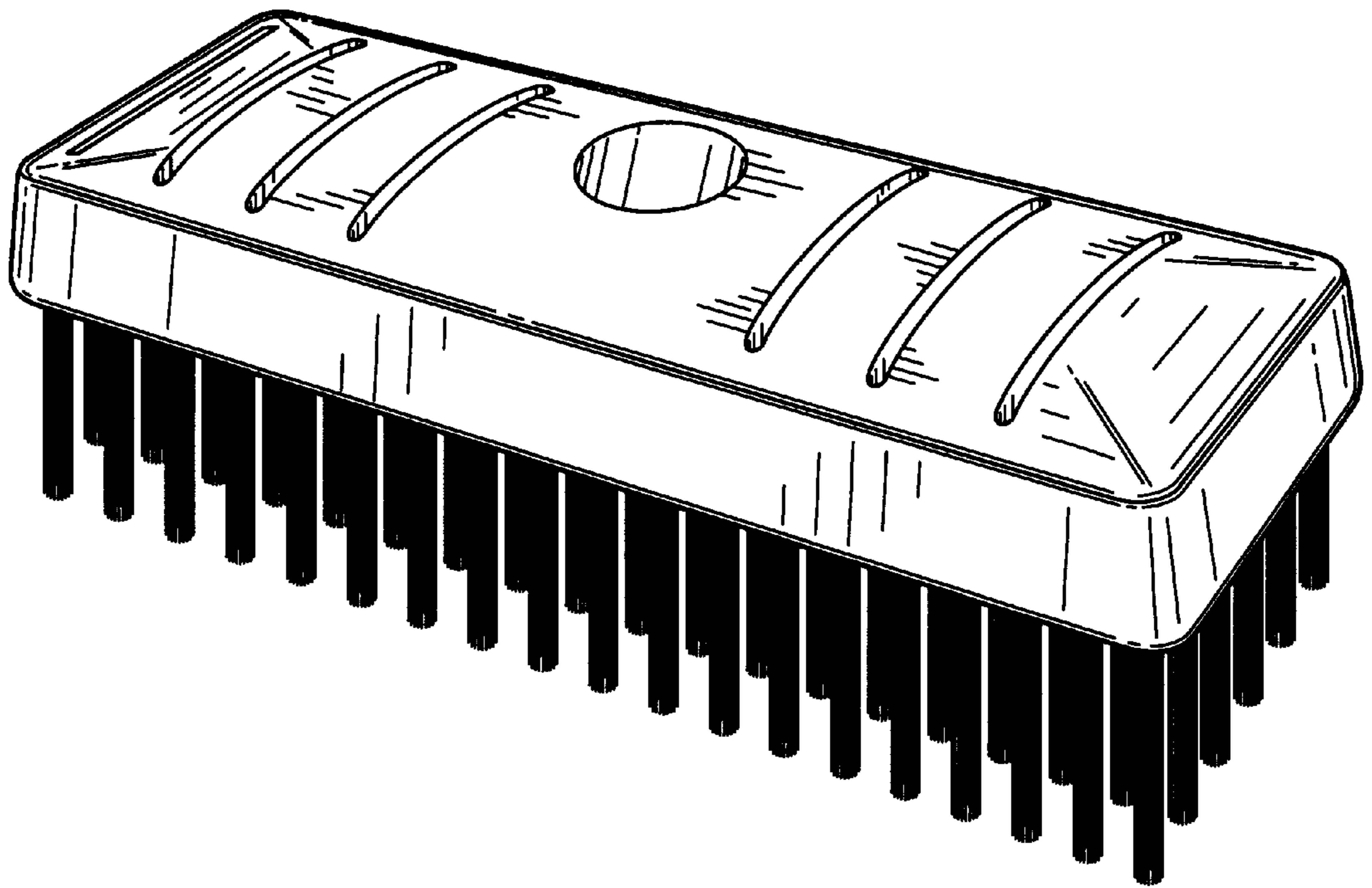


FIG. 1

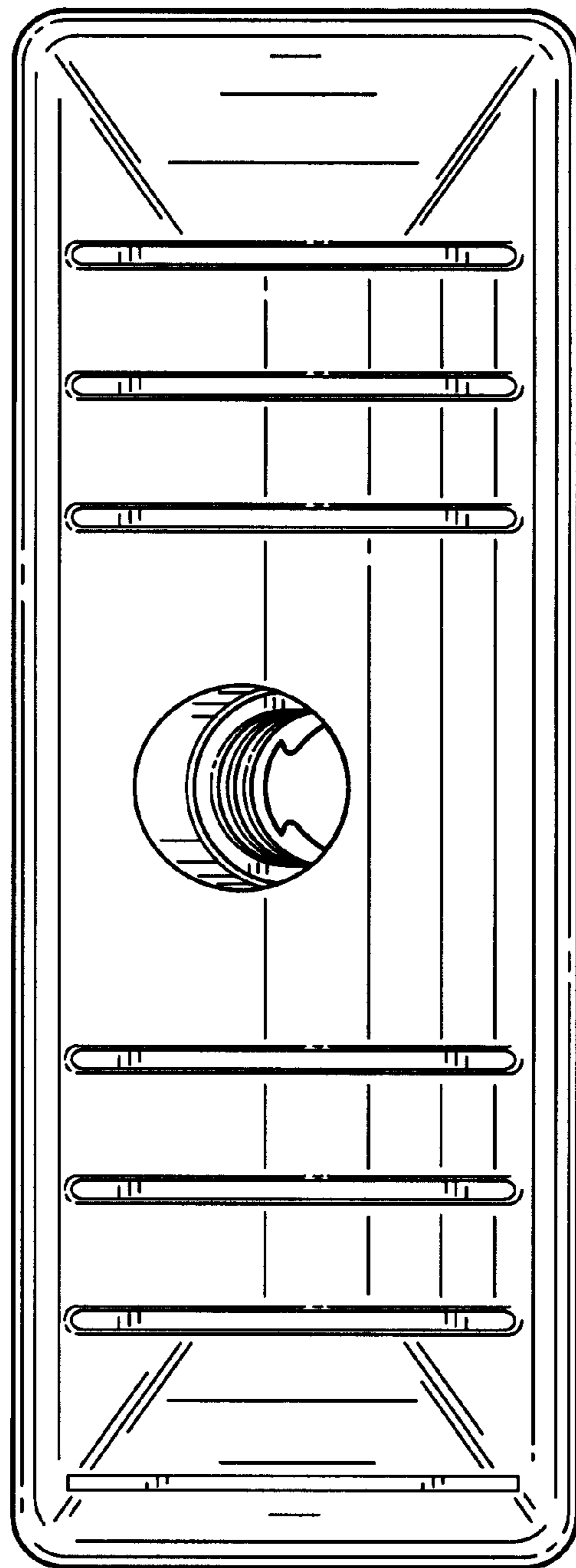


FIG. 2

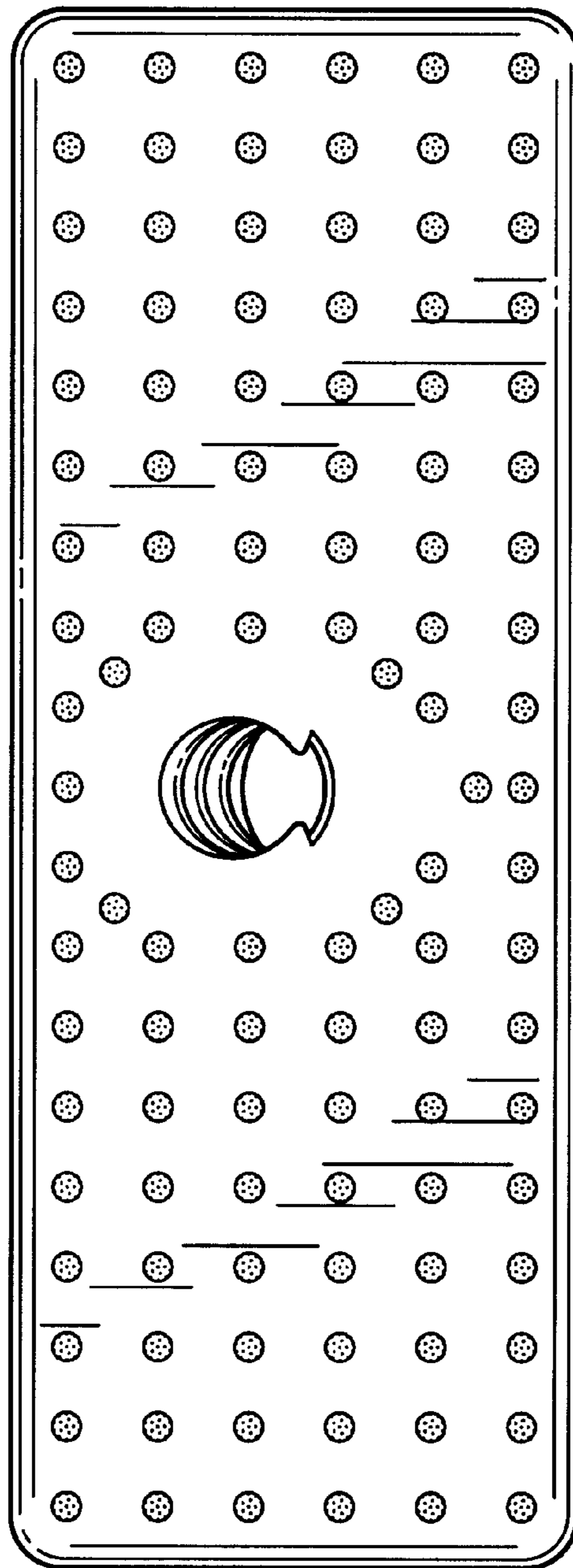


FIG. 3

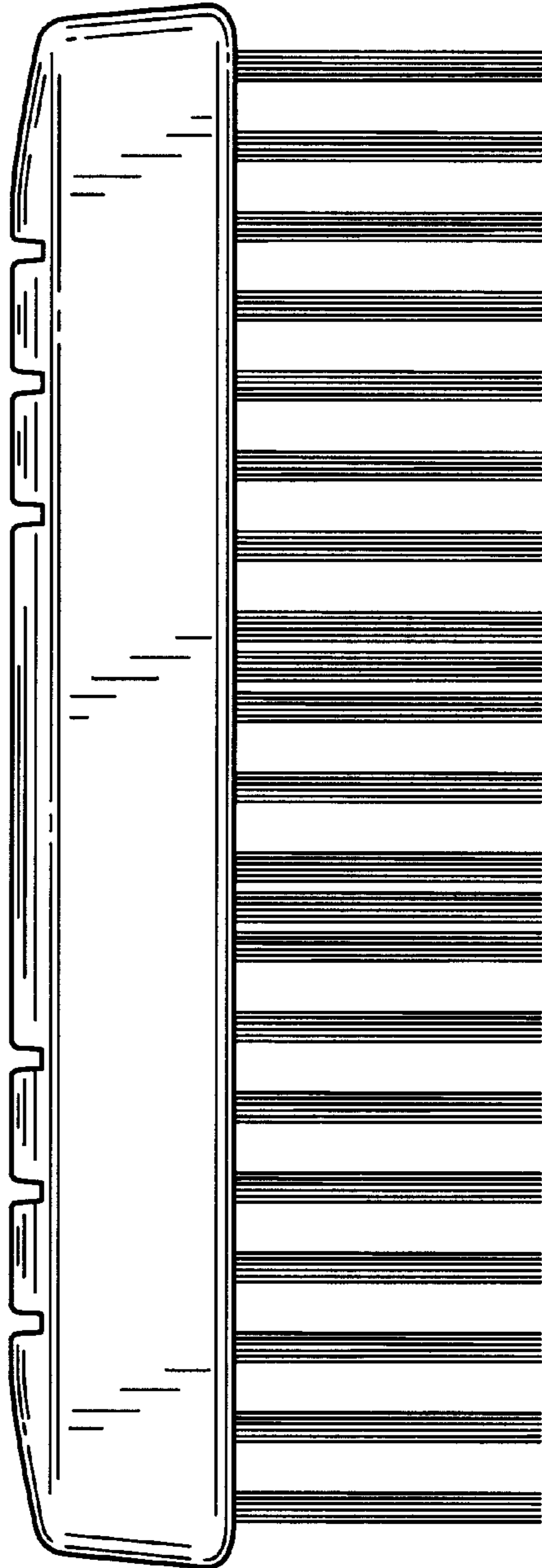


FIG. 4

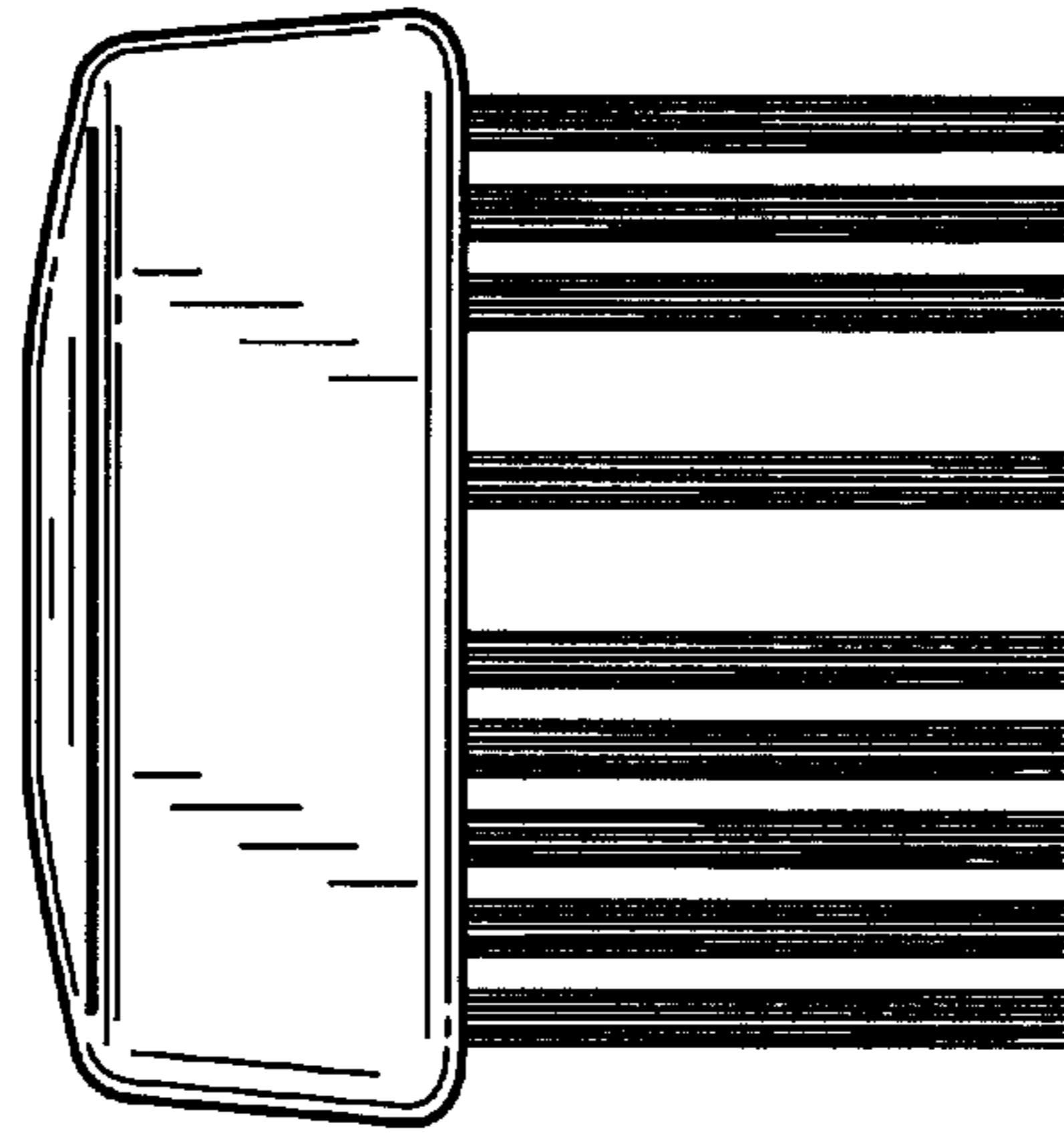


FIG. 5

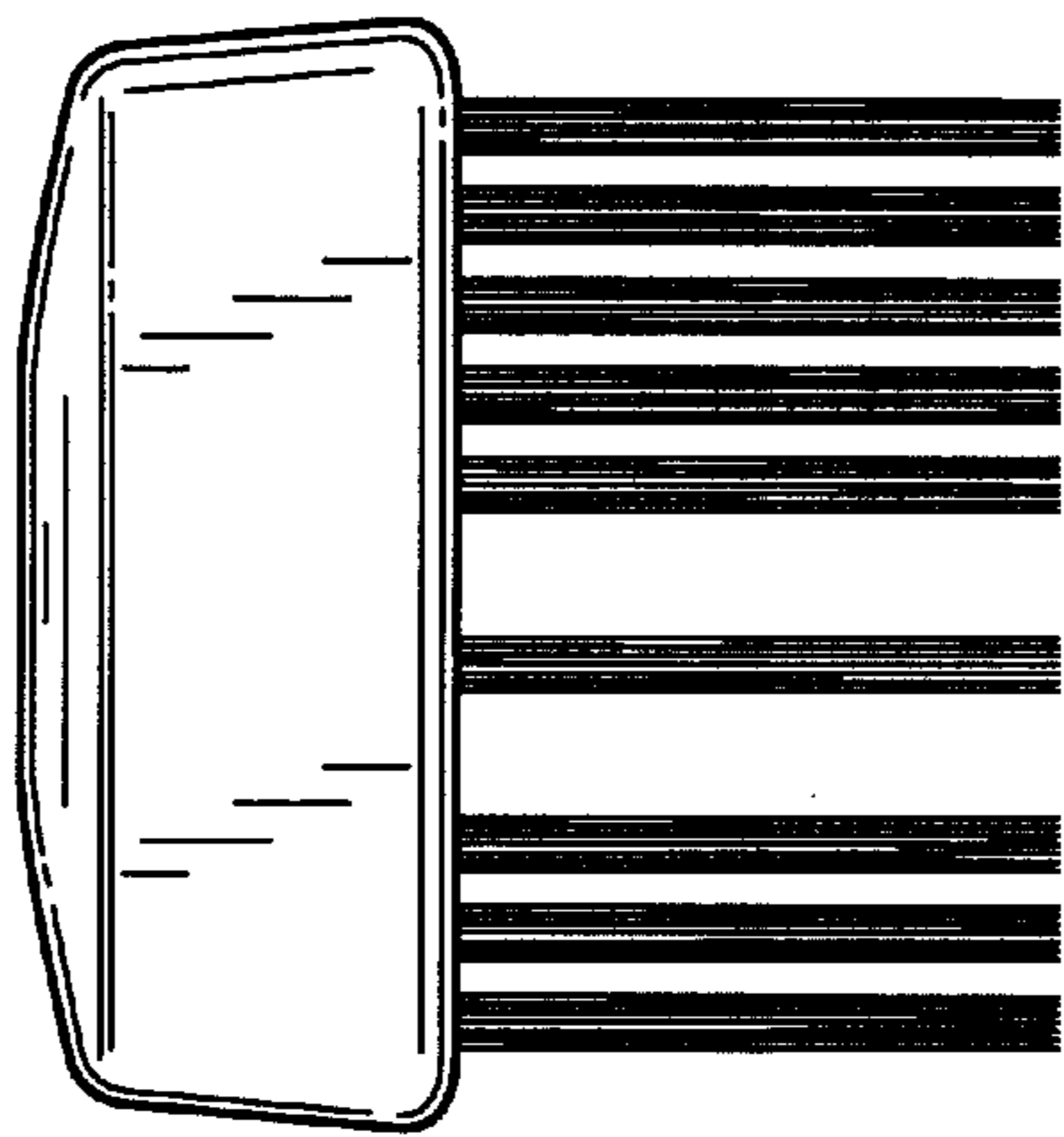


FIG. 6