



US00D441954S

(12) **United States Design Patent**
Parker

(10) **Patent No.:** **US D441,954 S**

(45) **Date of Patent:** **** May 15, 2001**

(54) **CASE**

(75) **Inventor:** **David H. Parker**, Torrance, CA (US)

(73) **Assignee:** **Pelican Products, Inc.**, Torrance, CA (US)

(**) **Term:** **14 Years**

(21) **Appl. No.:** **29/125,583**

(22) **Filed:** **Jun. 26, 2000**

(51) **LOC (7) Cl.** **03-01**

(52) **U.S. Cl.** **D3/279; D3/273**

(58) **Field of Search** D3/272, 273, 274,
D3/276, 279, 281, 282, 294, 905, 291;
206/372, 373; 190/18 A, 100, 110; D34/19

(56) **References Cited**

U.S. PATENT DOCUMENTS

D. 294,080	*	2/1988	Golia et al.	D3/272
D. 335,030	*	4/1993	Alfonso	D3/279
D. 339,227	*	9/1993	Fritze et al.	D3/279
D. 360,527	*	7/1995	Corney et al.	D3/279
D. 374,772	*	10/1996	Hotaling et al.	D3/279
D. 407,899	*	4/1999	Oakes et al.	D3/279

D. 411,662	*	6/1999	Carter	D3/279
D. 419,767	*	2/2000	Richardson et al.	D3/279
D. 419,768	*	2/2000	Richardson et al.	D3/294
D. 420,796	*	2/2000	Haddock et al.	D3/279

* cited by examiner

Primary Examiner—Philip S. Hyder

(74) *Attorney, Agent, or Firm*—Oppenheimer Wolff & Donnelly LLP

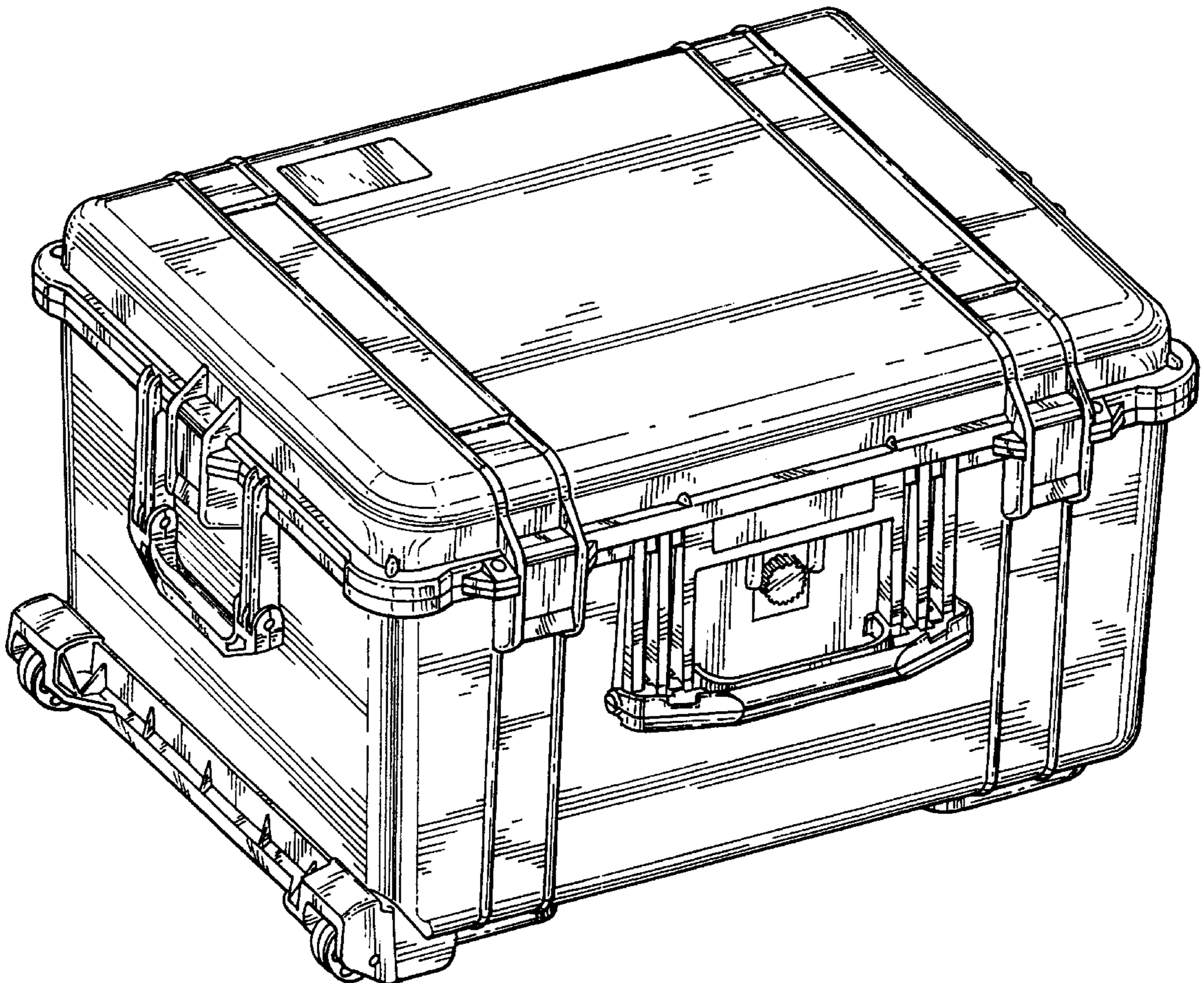
(57) **CLAIM**

The ornamental design for a case, as shown and described.

DESCRIPTION

FIG. 1 is a top perspective view of the case;
 FIG. 2 is an underneath perspective view of the case;
 FIG. 3 is an underneath perspective view of the case from one side with handle not extended;
 FIG. 4 is an underneath perspective view of the case from a position similar to FIG. 3 with handle not extended;
 FIG. 5 is an underneath perspective view of the case from one side with handle extended; and,
 FIG. 6 is an underneath perspective view of the case from a position similar to FIG. 5 with the handle extended.

1 Claim, 4 Drawing Sheets



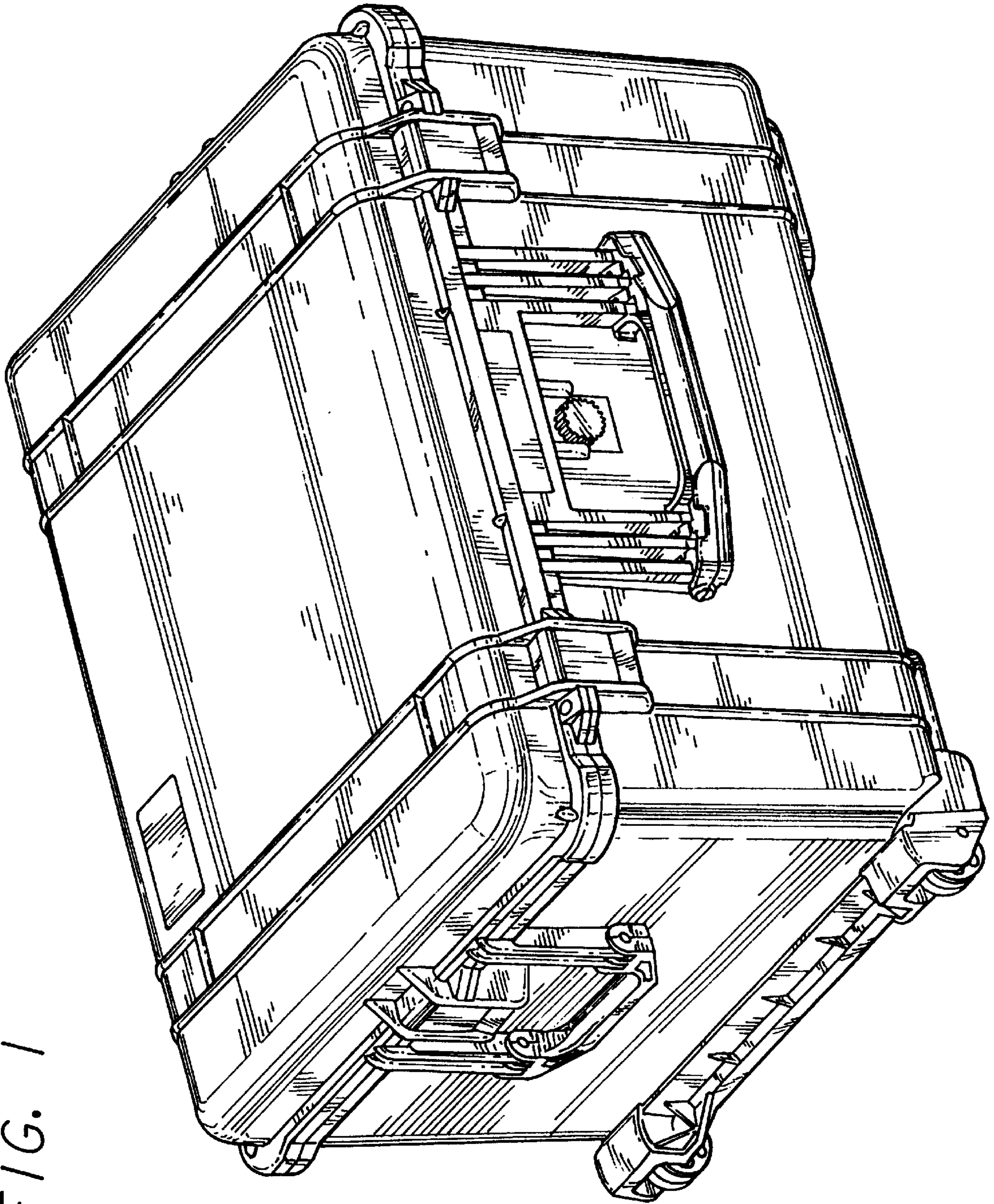


FIG. 1

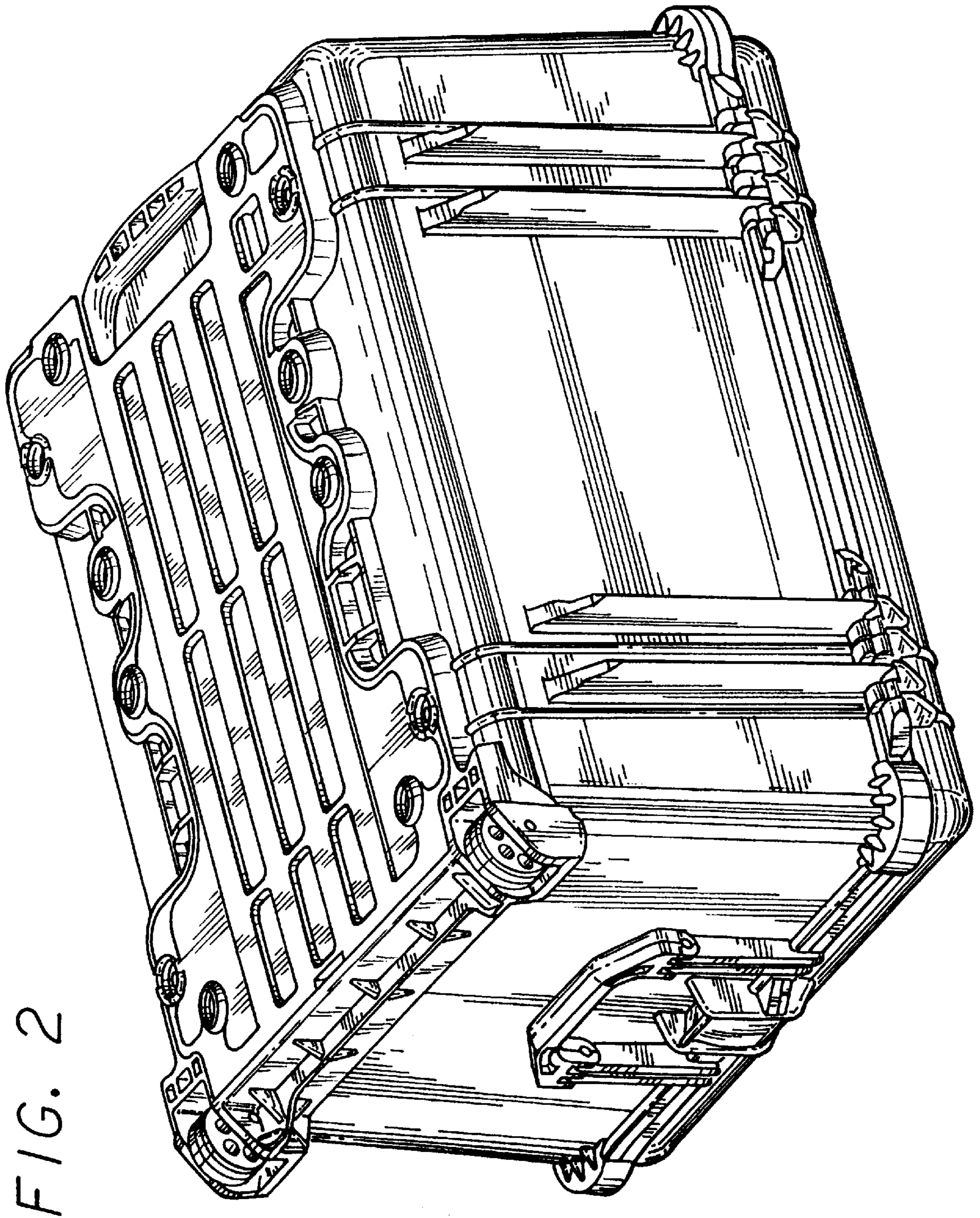


FIG. 2

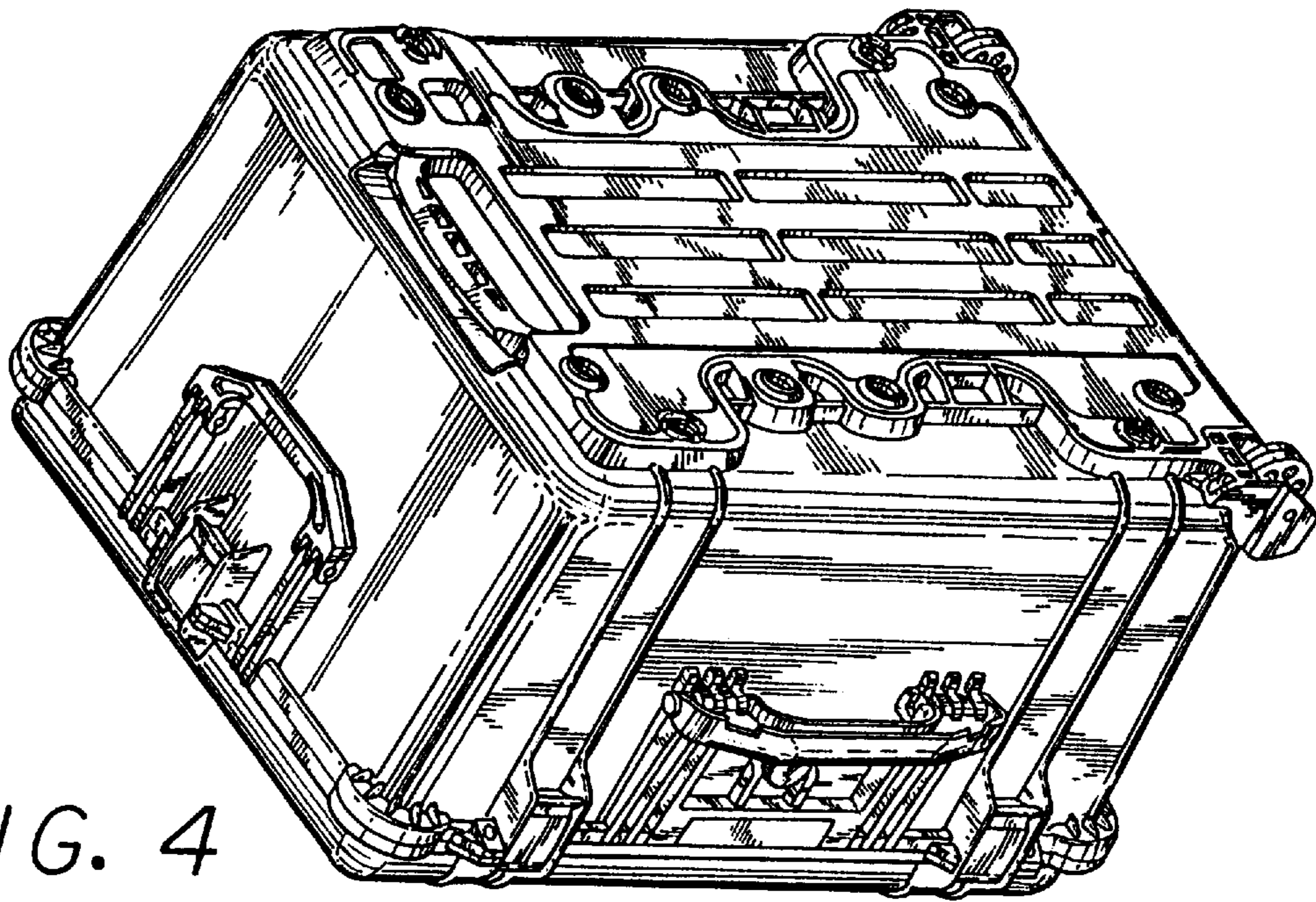


FIG. 4

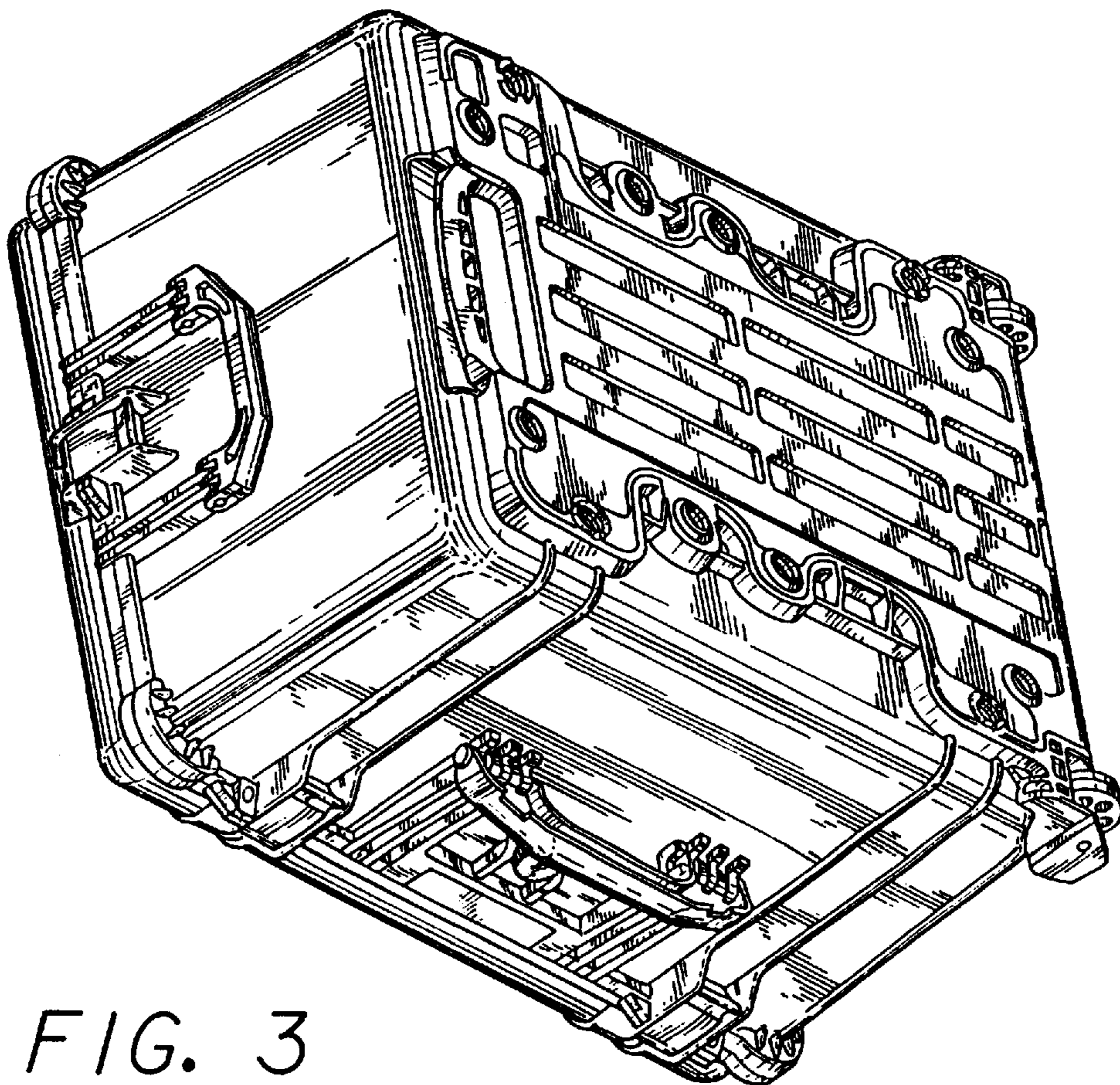


FIG. 3

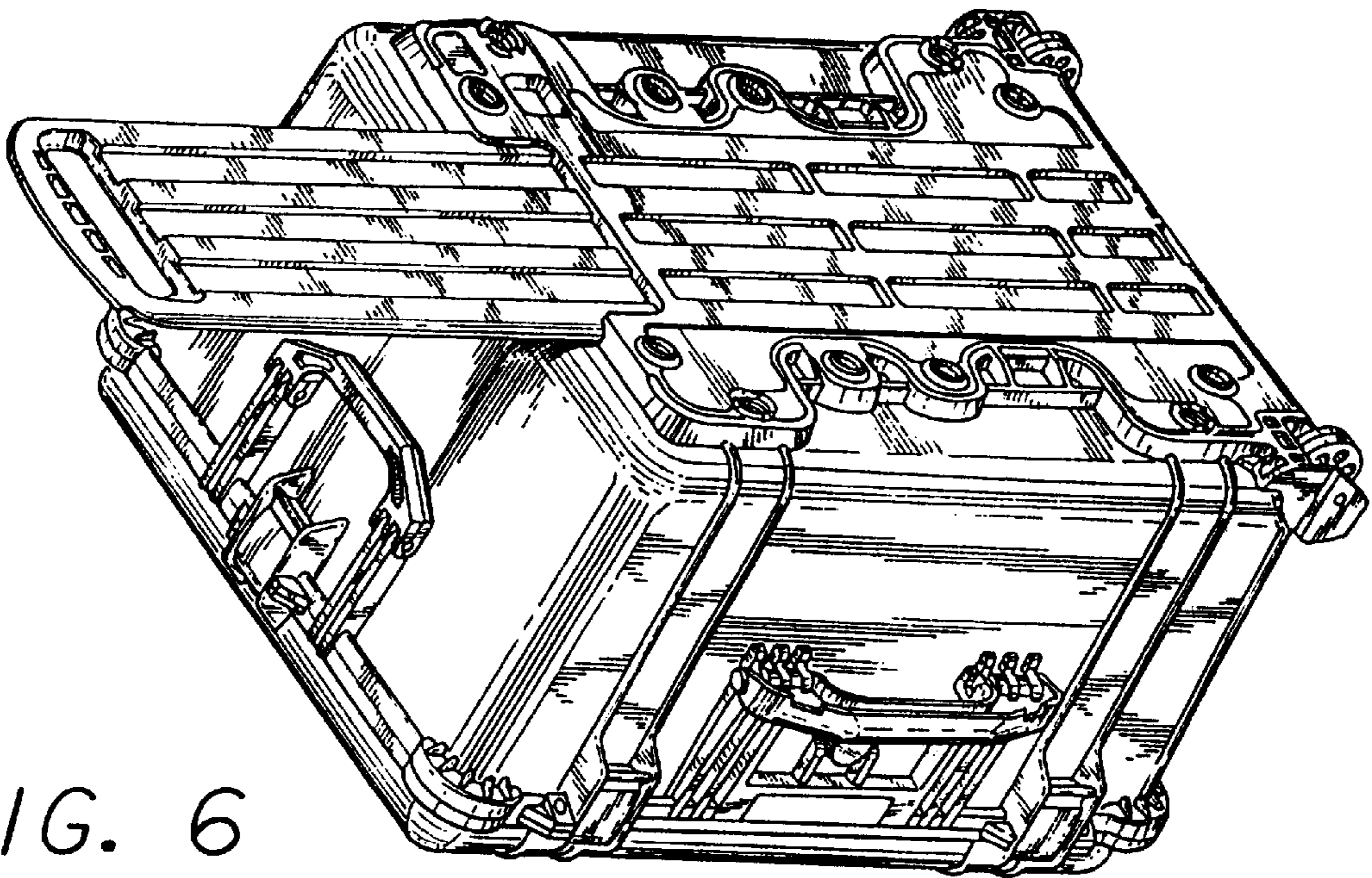


FIG. 6

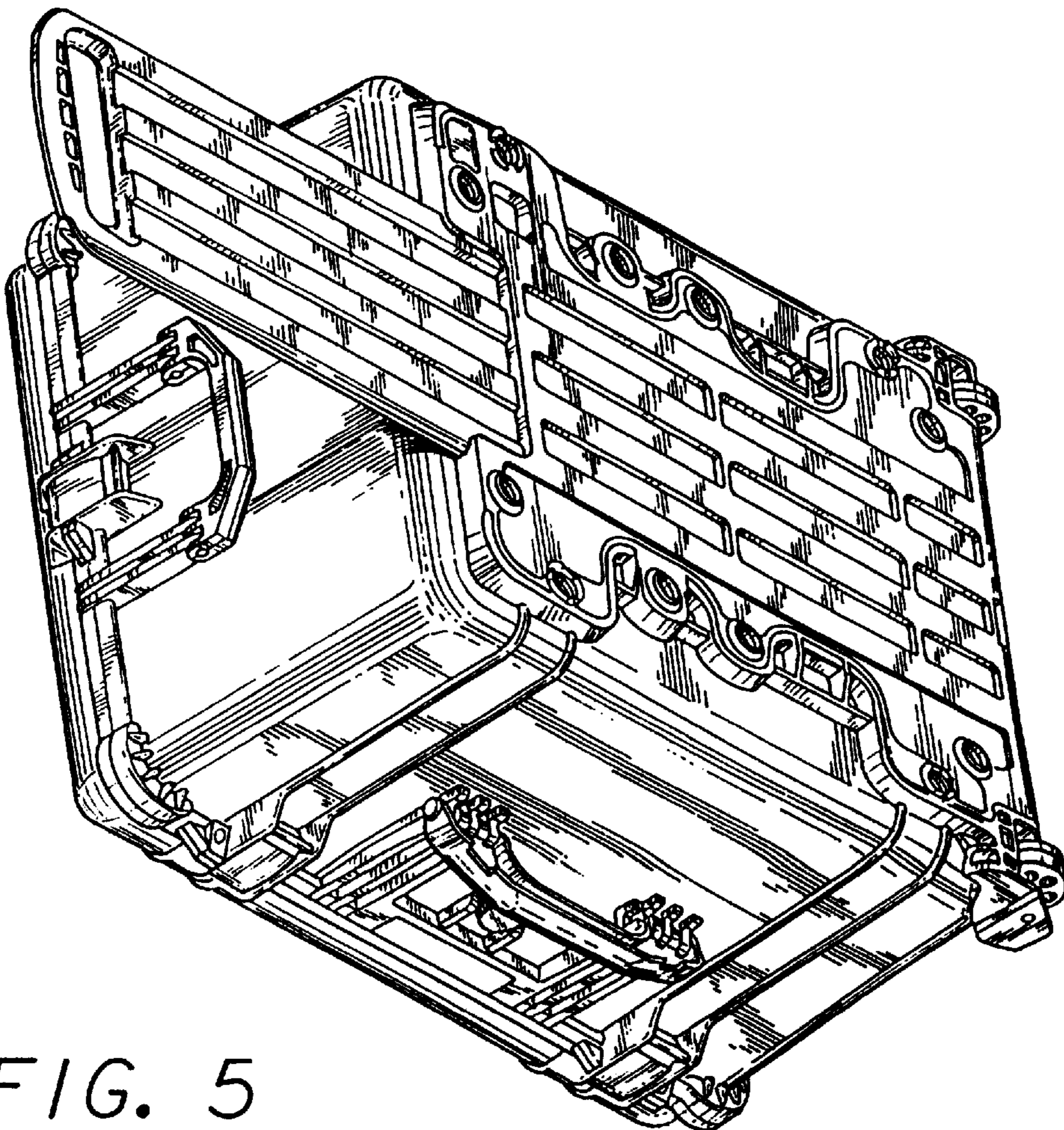


FIG. 5