



US00D441952S

(12) **United States Design Patent** (10) **Patent No.:** **US D441,952 S**
Packard et al. (45) **Date of Patent:** **** May 15, 2001**

(54) **OPENING TAB FOR A RECEPTACLE**

5,636,732 * 6/1997 Gilels 206/37
5,806,678 9/1998 Hakansson 206/438

(75) Inventors: **Joy A. Packard**, Somerset, WI (US);
Paul A. Martinson, Maplewood, MN (US)

* cited by examiner

(73) Assignee: **3M Innovative Properties Company**,
St. Paul, MN (US)

Primary Examiner—Louis S. Zarfaz
Assistant Examiner—Catherine R. Oliver
(74) *Attorney, Agent, or Firm*—Karl G. Hanson

(**) Term: **14 Years**

(57) **CLAIM**

(21) Appl. No.: **29/114,372**

The ornamental design for an opening tab for a receptacle,
as shown and described.

(22) Filed: **Nov. 22, 1999**

DESCRIPTION

(51) **LOC (7) Cl.** **03-01**

(52) **U.S. Cl.** **D3/215**

(58) **Field of Search** D3/215, 201, 203,
D3/205, 218, 225, 230, 266; D27/172,
189, 186, 188; 206/438, 37, 262, 249, 250;
D28/66; 225/44, 46, 51; D19/67, 68, 69

FIG. 1 is an upper perspective view of an opening tab for a
receptacle, showing the new design.

FIG. 2 is a lower perspective view thereof.

FIG. 3 is a rear elevational view thereof.

FIG. 4 is a left side elevational view thereof.

FIG. 5 is a right side elevational view thereof.

FIG. 6 is a top plan view thereof;

FIG. 7 is a front elevational view thereof; and,

FIG. 8 is a bottom plan view thereof.

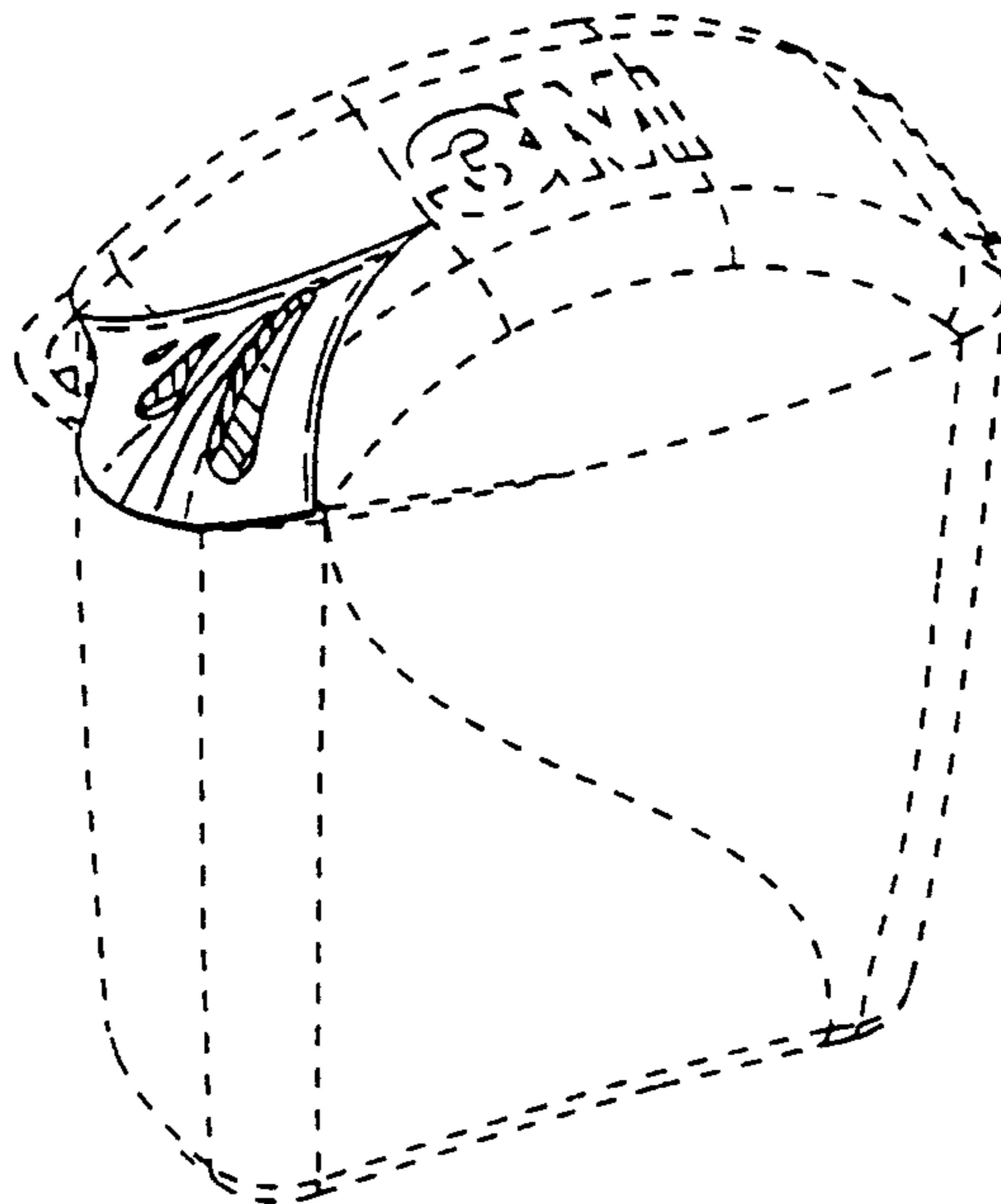
(56) **References Cited**

U.S. PATENT DOCUMENTS

- D. 245,818 * 9/1977 Persson D3/225
- D. 414,892 * 10/1999 Chen D27/188
- D. 417,237 * 11/1999 Packard D19/69
- D. 422,785 * 4/2000 Cavell D3/201
- 2,124,481 * 7/1938 Anderson 206/37
- 2,727,547 * 12/1955 Moon, 3rd 206/37
- 4,925,073 * 5/1990 Tarrson et al. 225/44

The broken lines shown in the drawings are for illustrative
purposes only and form no part of the claimed design. The
shading shown in the drawings is only provided to illustrate
the contour of the article; it is not indicative of any particular
texture.

1 Claim, 1 Drawing Sheet



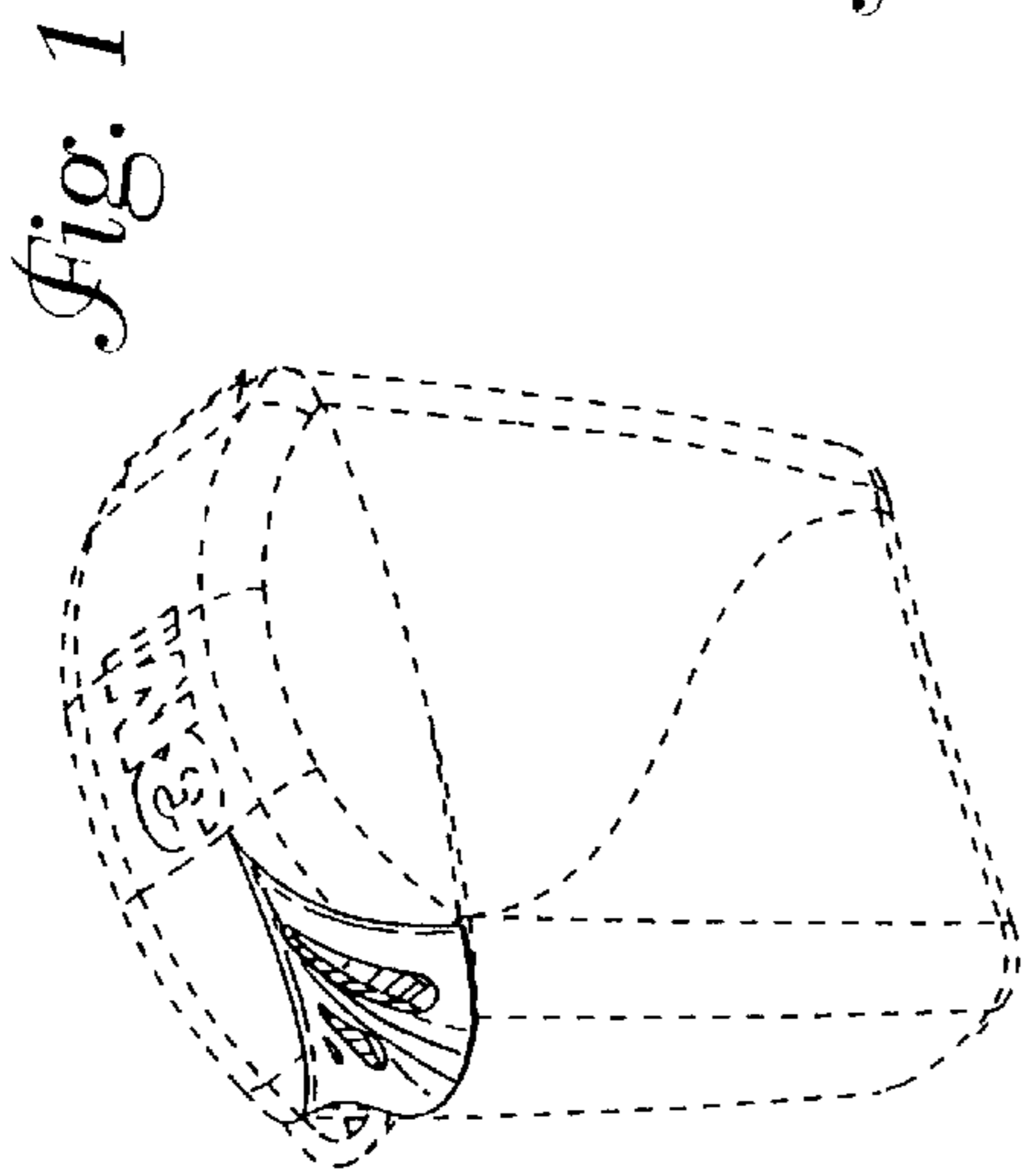


Fig. 1

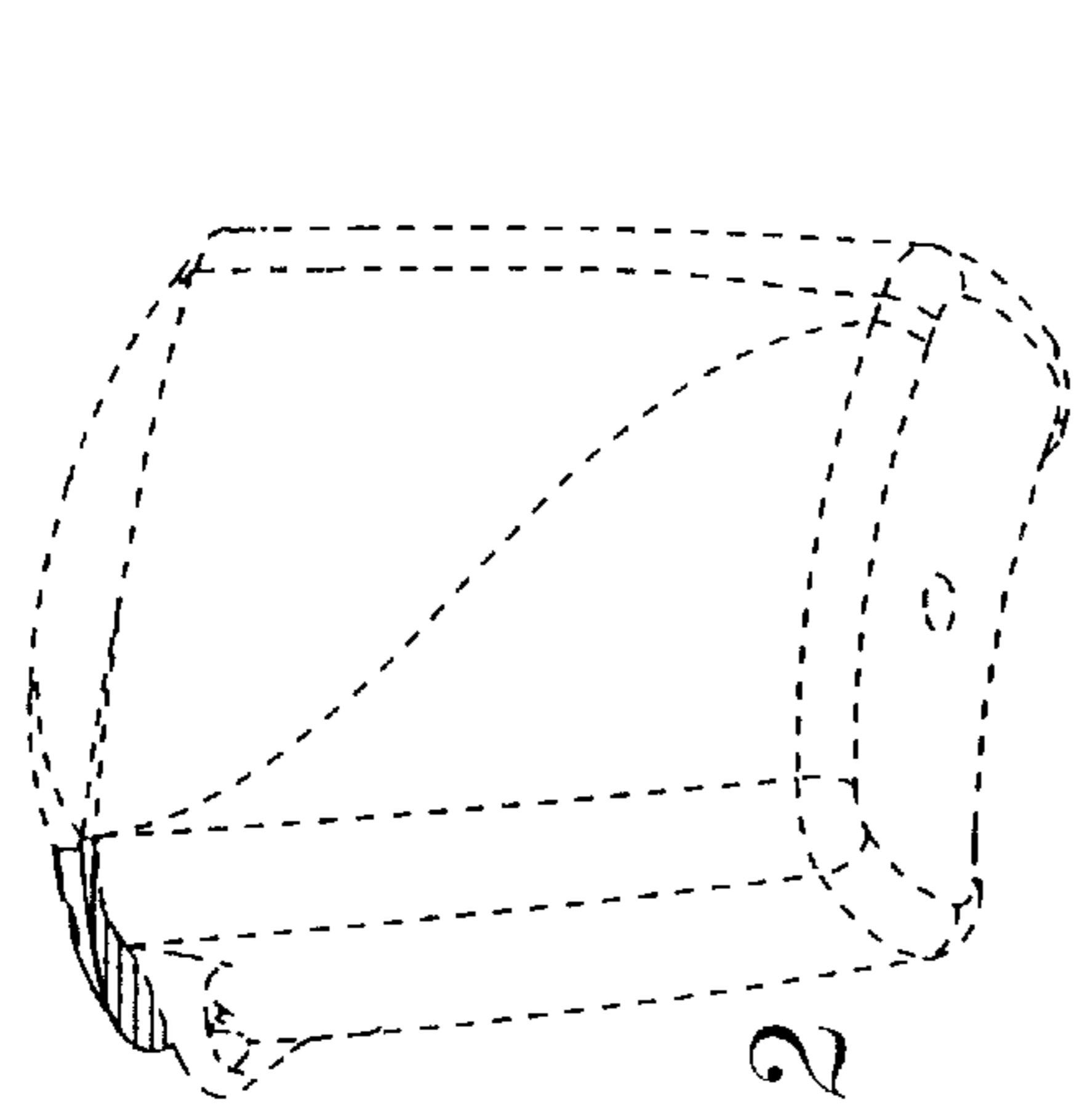


Fig. 2

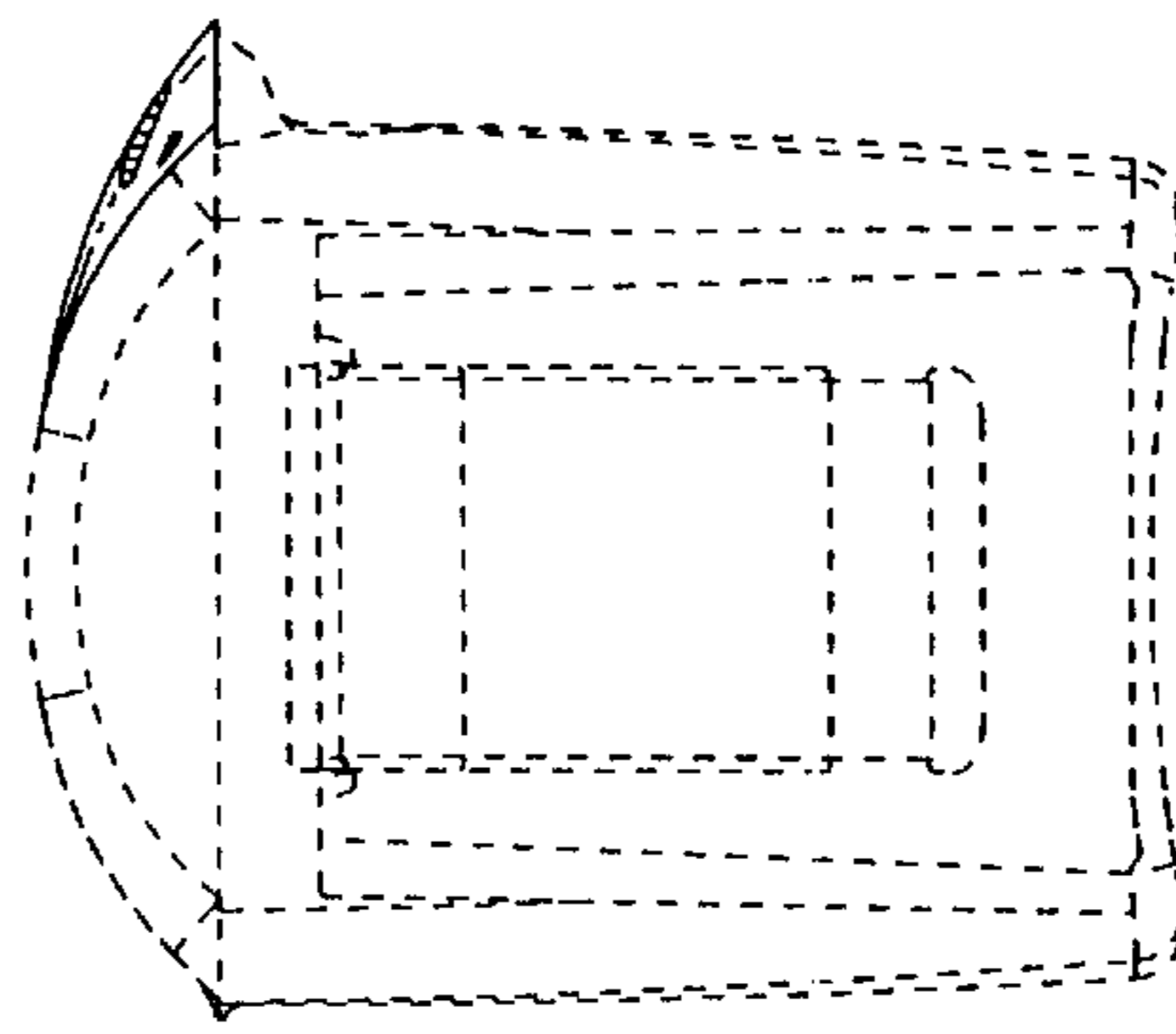


Fig. 3

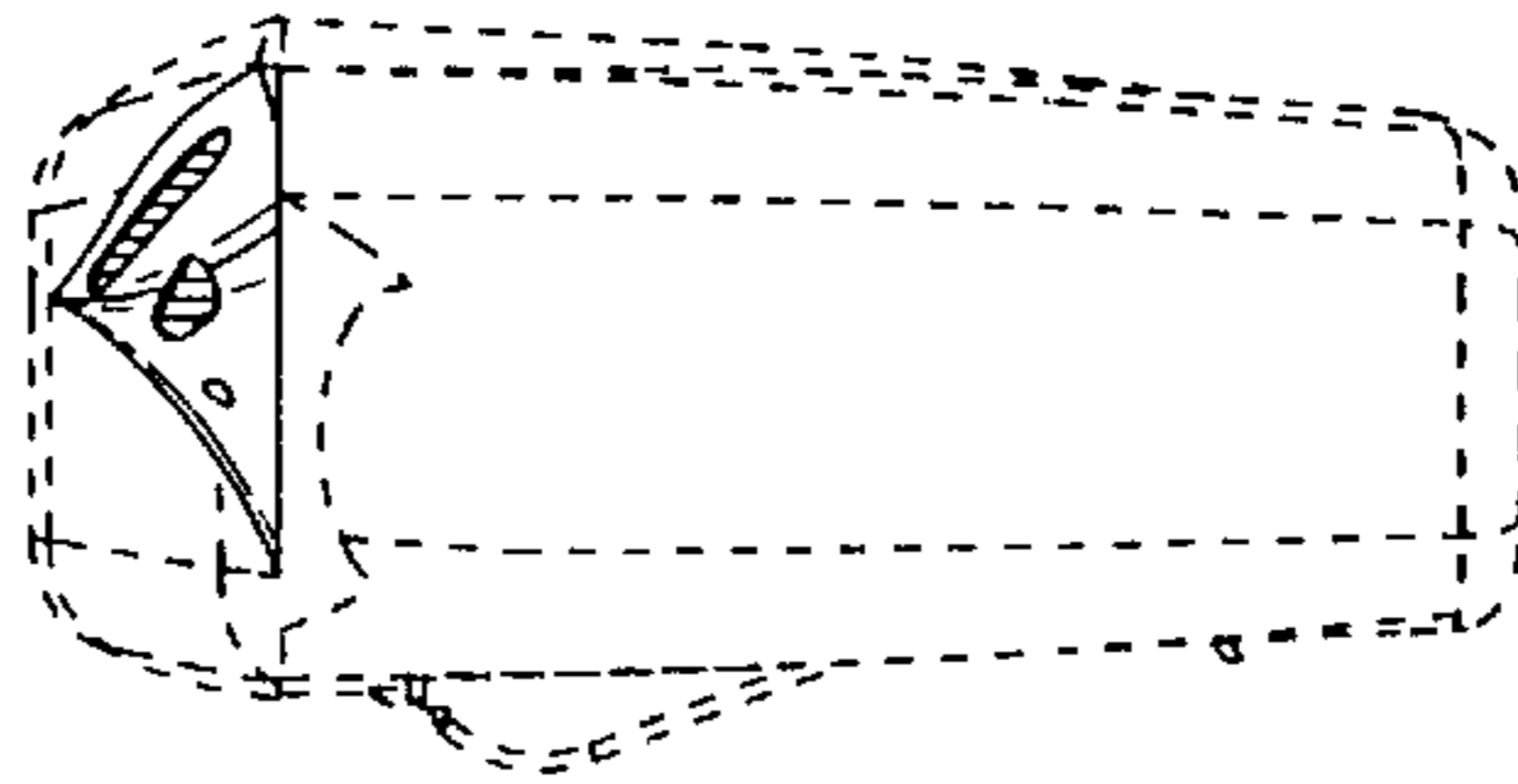


Fig. 4

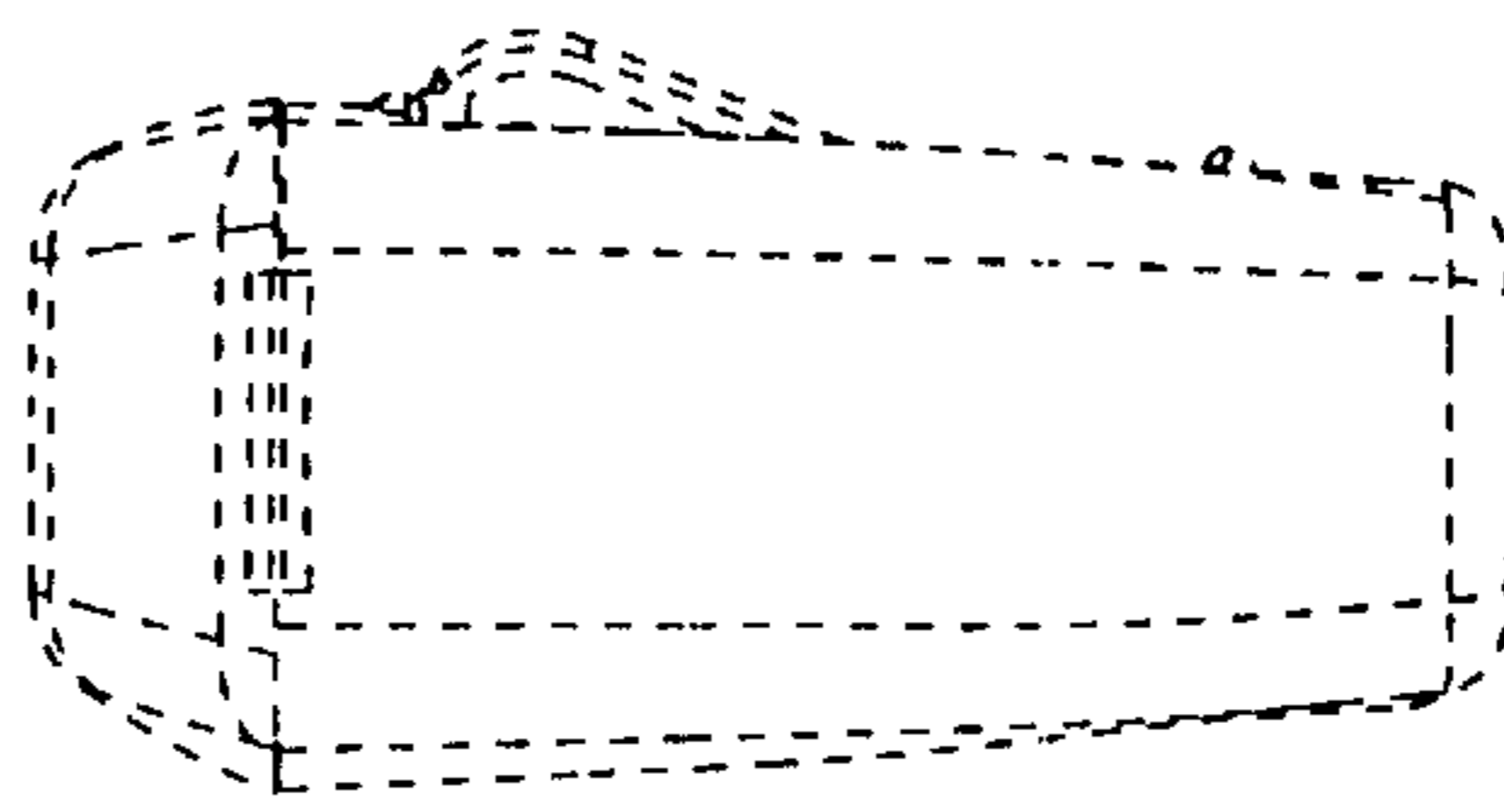


Fig. 5

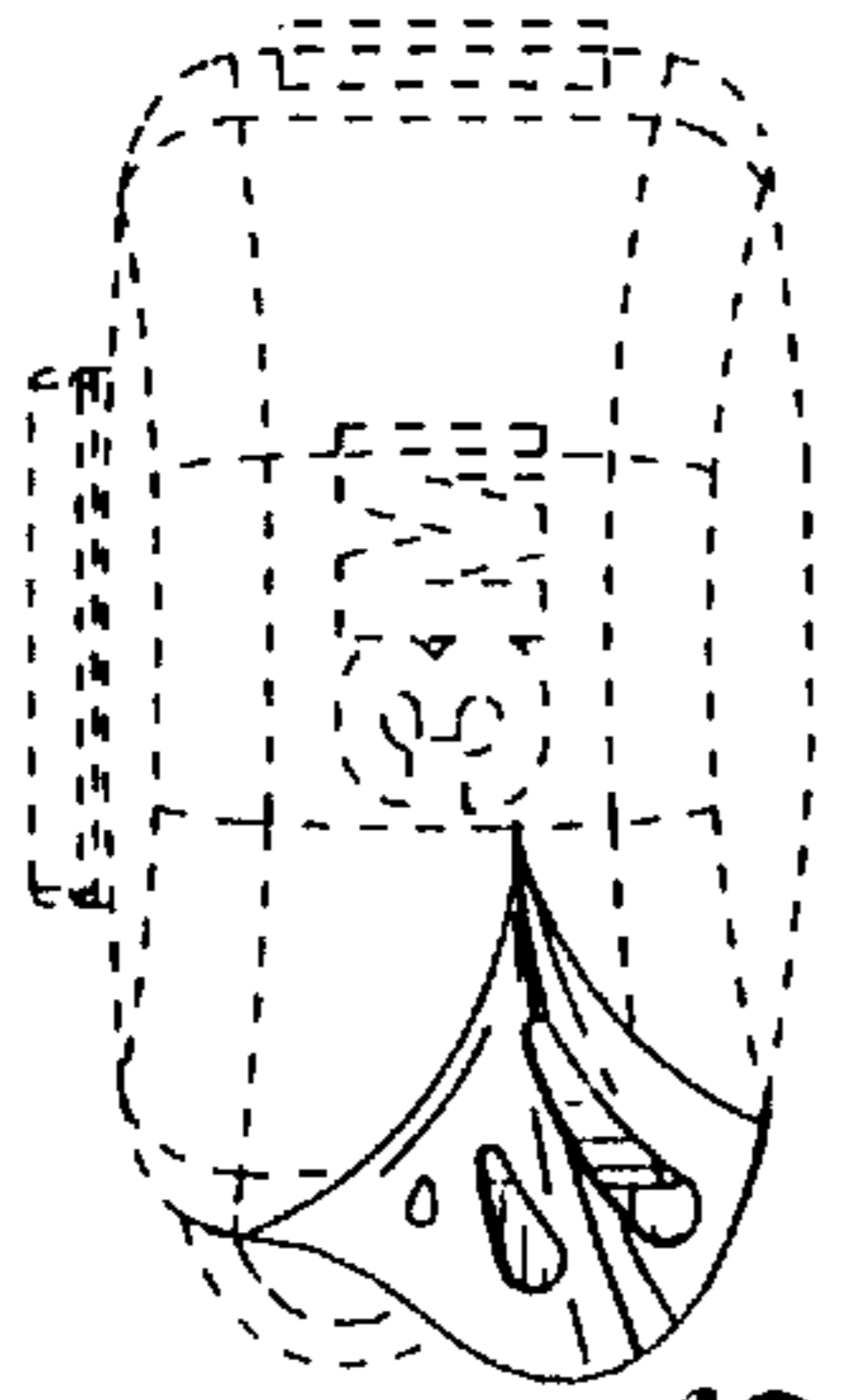


Fig. 6

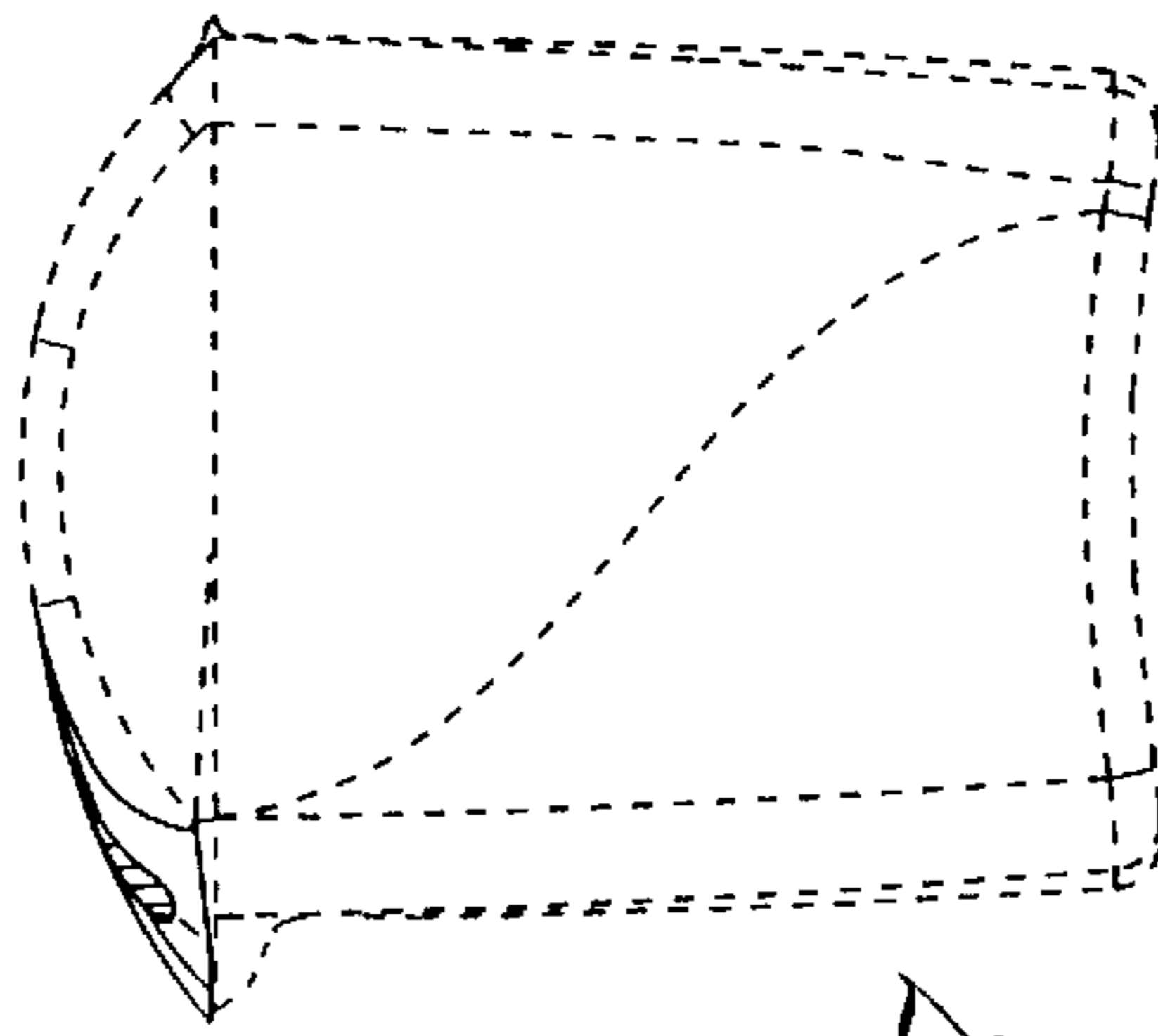


Fig. 7

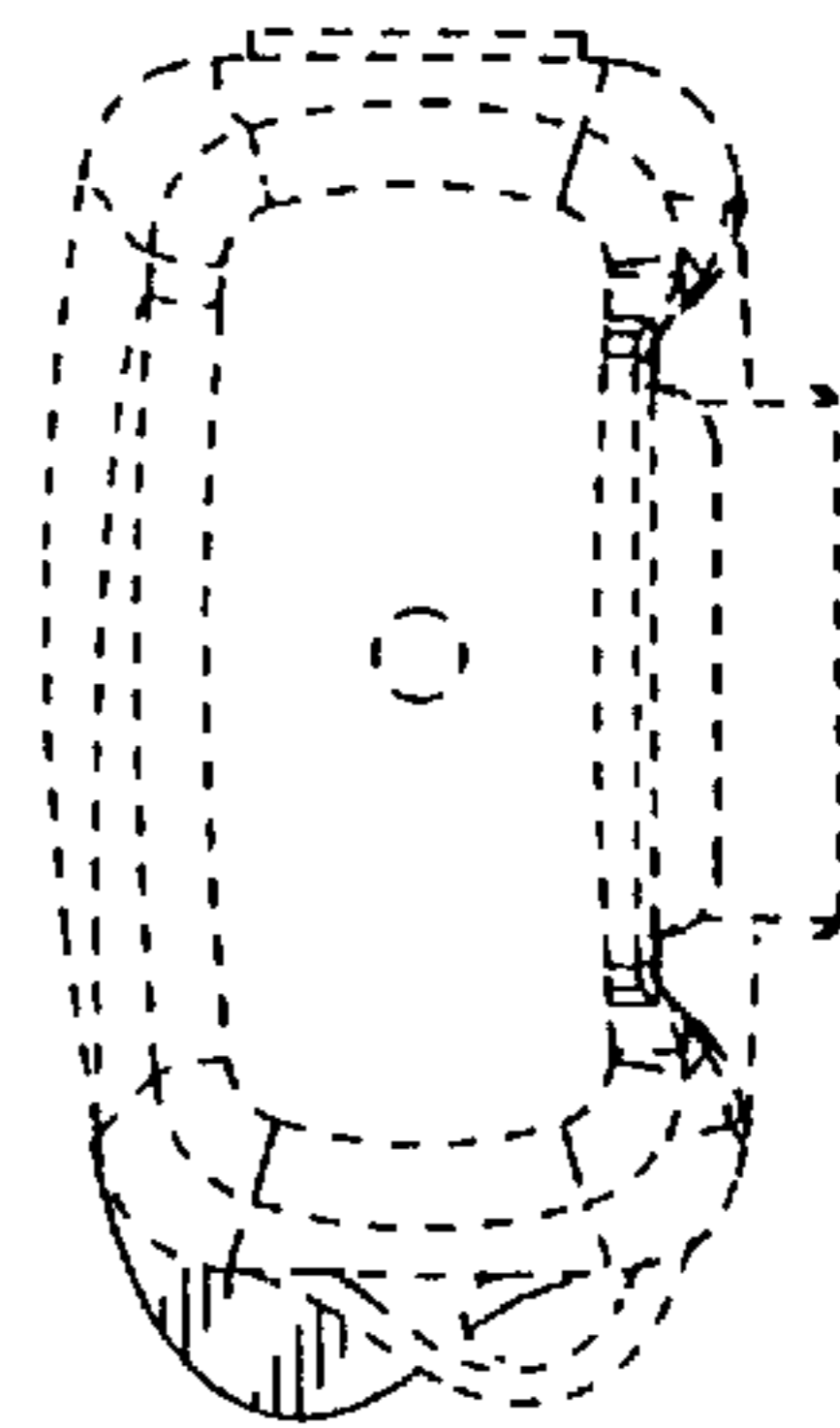


Fig. 8