



US00D441951S

(12) **United States Design Patent**
Cheng

(10) **Patent No.:** **US D441,951 S**

(45) **Date of Patent:** **** May 15, 2001**

(54) **PILL REMINDER**

(75) **Inventor:** **Kwok Fu Cheng, Kowloon (HK)**

(73) **Assignee:** **Prod-Art Company Limited, Kowloon (HK)**

(**) **Term:** **14 Years**

(21) **Appl. No.:** **29/129,331**

(22) **Filed:** **Sep. 13, 2000**

(51) **LOC (7) Cl.** **03-01**

(52) **U.S. Cl.** **D3/203**

(58) **Field of Search** **D3/203; D9/341, D9/345; 206/531, 534, 539, 459.1; 221/5, 88, 2**

(56) **References Cited**

U.S. PATENT DOCUMENTS

D. 337,725 * 7/1993 Bunin D9/341
4,662,537 * 5/1987 Wolf et al. 221/89

5,850,937 * 12/1998 Rauche 221/2
5,954,225 * 9/1999 Powe 221/2
6,021,902 * 2/2000 Wu 206/534

* cited by examiner

Primary Examiner—Antoine Duval Davis

(74) *Attorney, Agent, or Firm*—Rabin & Champagne, P.C.

(57) **CLAIM**

The ornamental design for a pill reminder, a shown and described.

DESCRIPTION

FIG. 1 is a front view of a pill reminder showing my new design;

FIG. 2 is a rear view thereof;

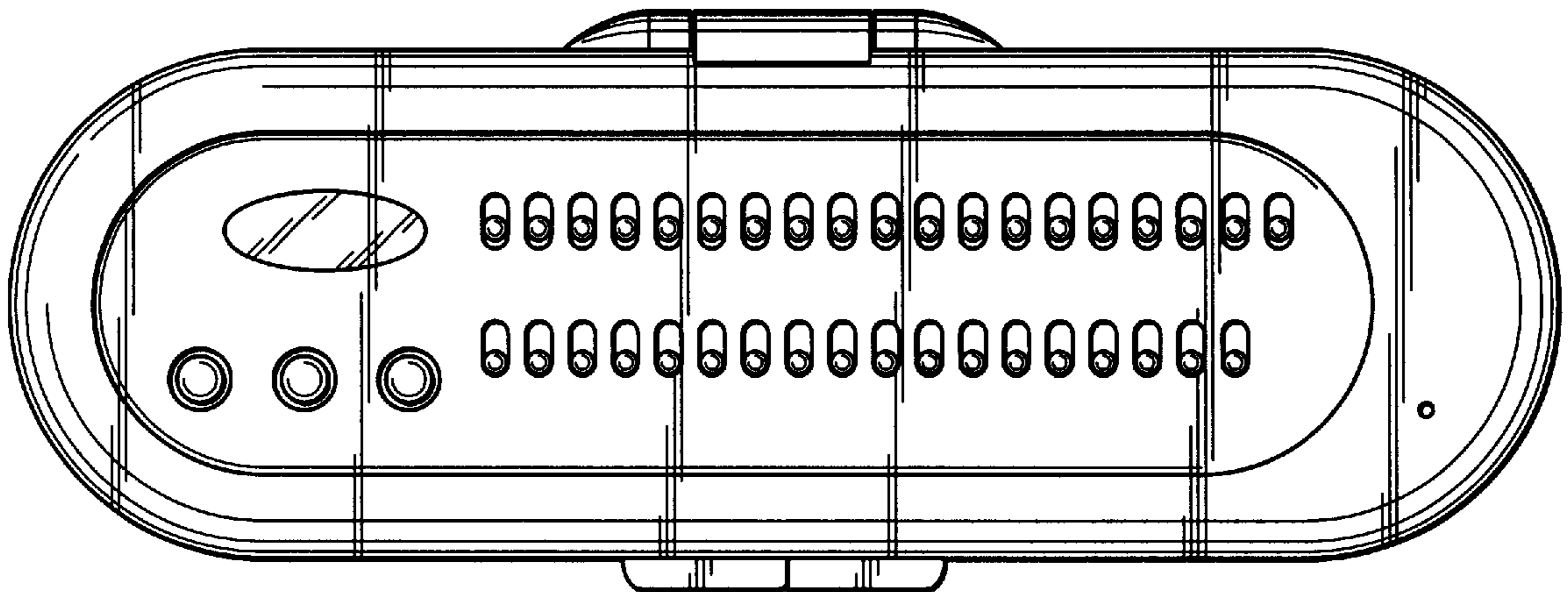
FIG. 3 is a top view thereof;

FIG. 4 is a bottom view thereof;

FIG. 5 is a left side view thereof; and,

FIG. 6 is a right side view thereof.

1 Claim, 2 Drawing Sheets



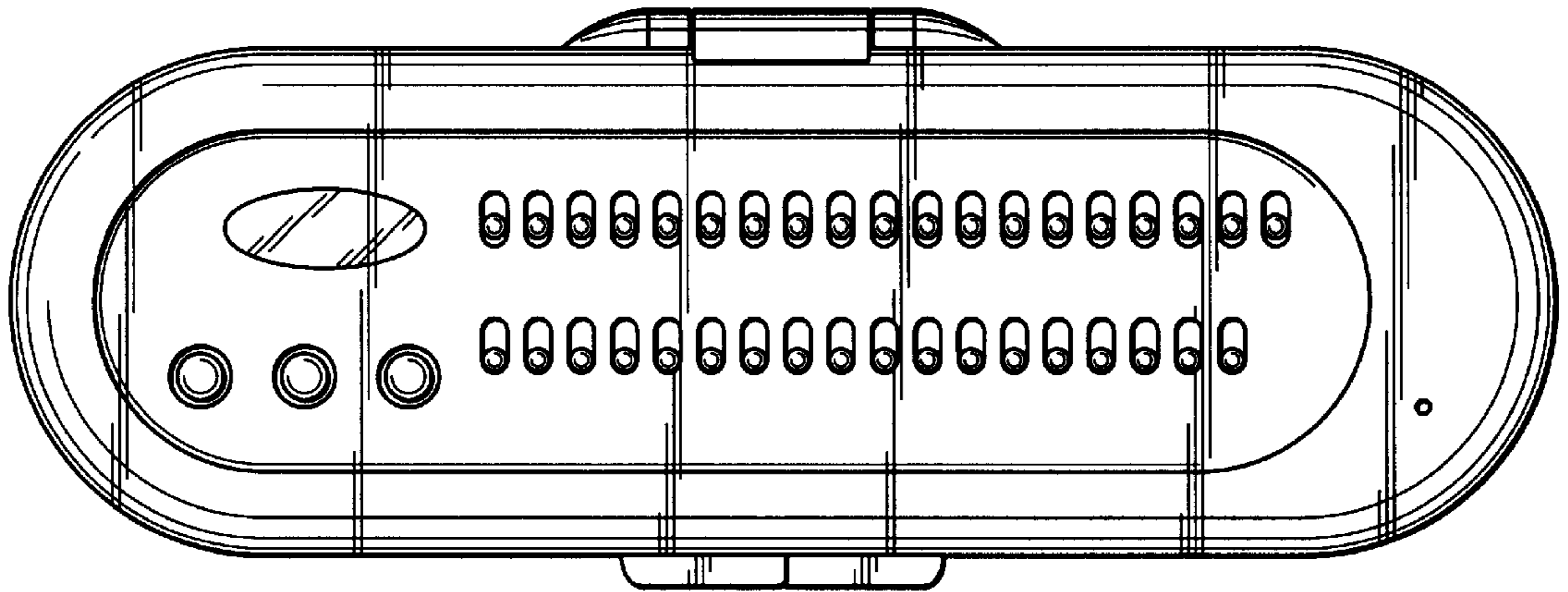


FIG. 1

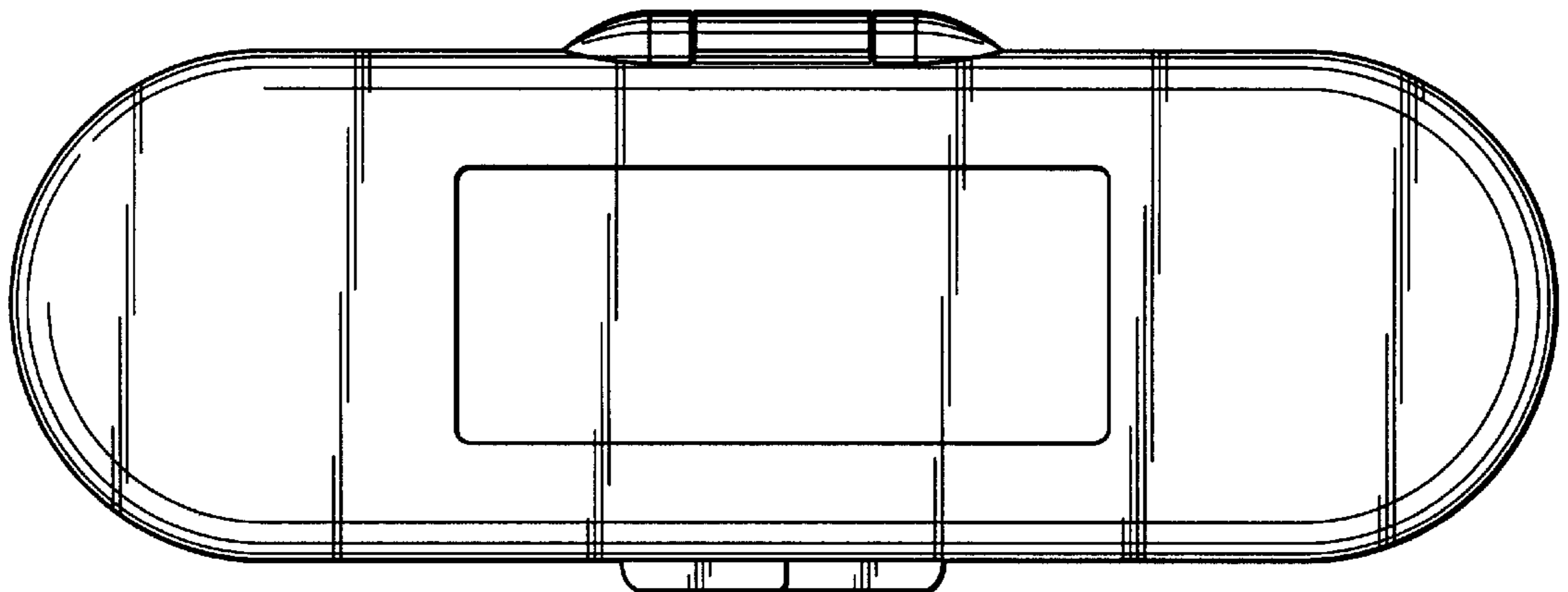


FIG. 2

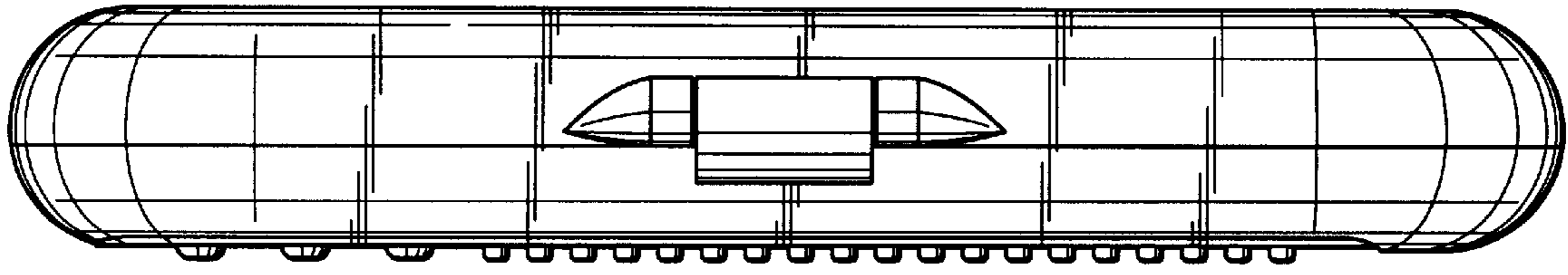


FIG. 3

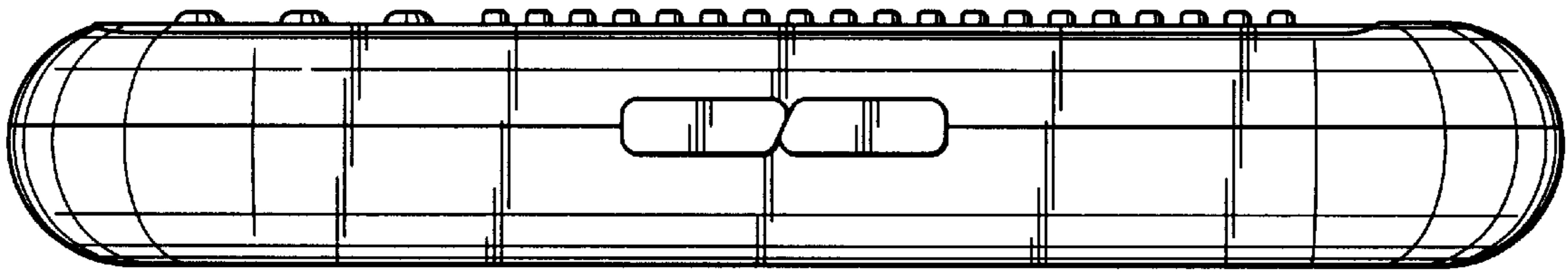


FIG. 4

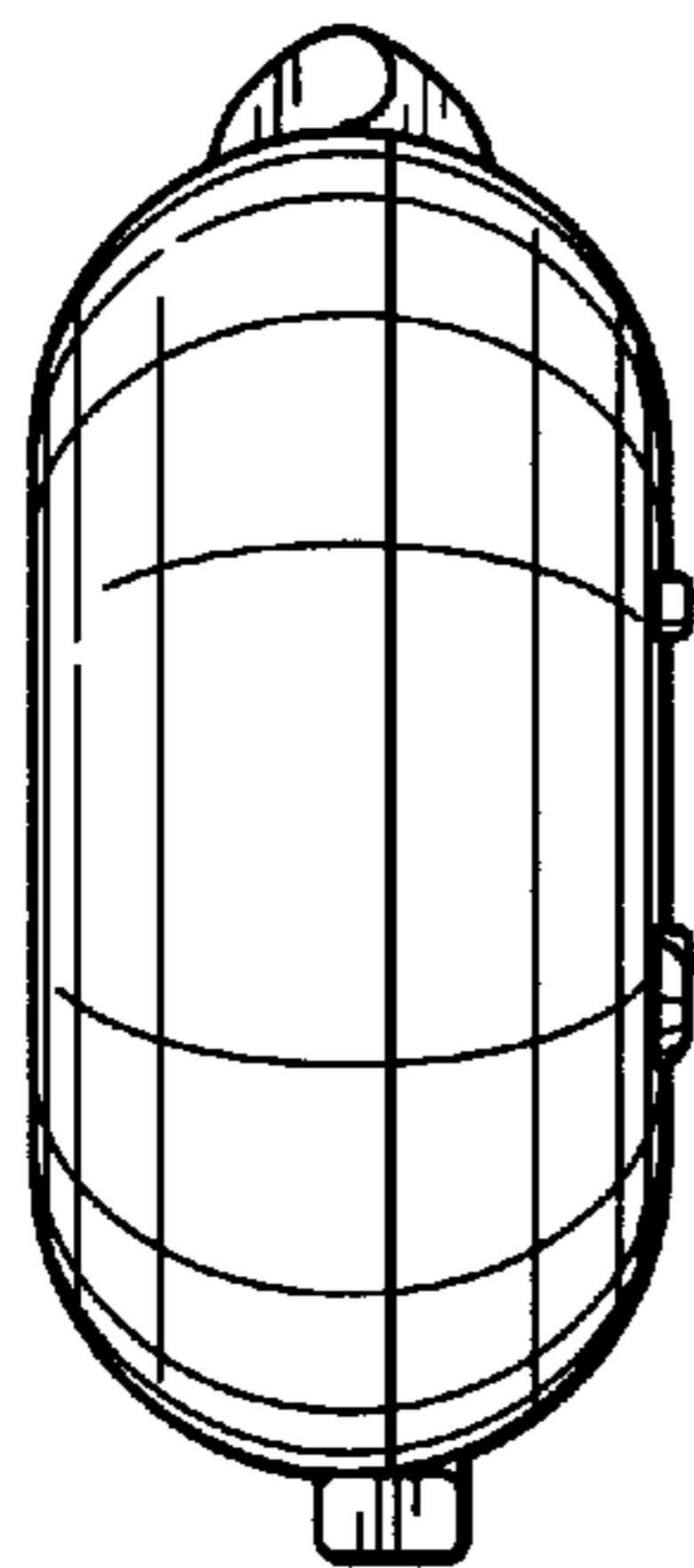


FIG. 5

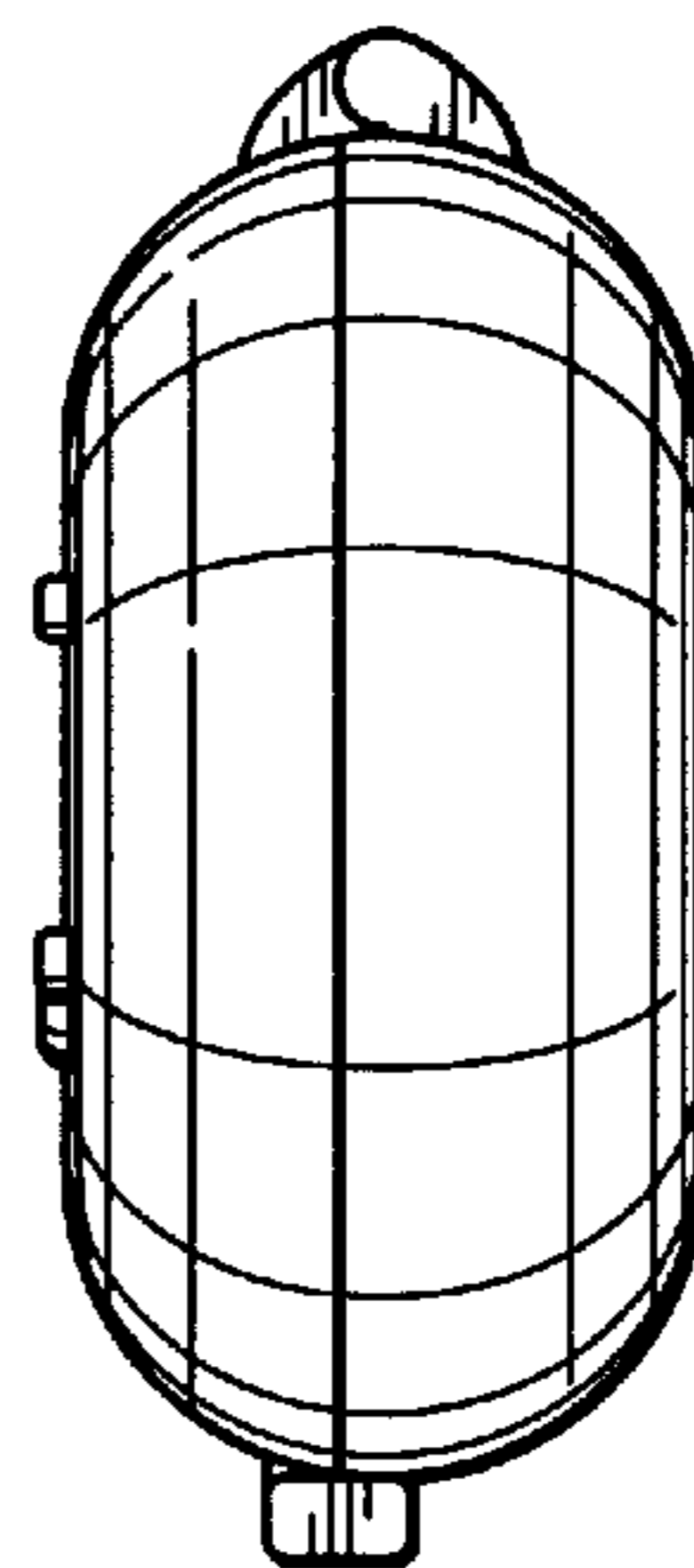


FIG. 6