



US00D441950S

(12) **United States Design Patent**
Suen

(10) **Patent No.:** **US D441,950 S**

(45) **Date of Patent:** **** May 15, 2001**

(54) **MULTI-PURPOSE WALKING STICK**

5,755,245 * 5/1998 Van Helvoort 135/65 X

(75) Inventor: **Chi Ming Suen**, Kowloon (HK)

* cited by examiner

(73) Assignee: **Tohkai Precision Industrial Limited**,
Kowloon (HK)

Primary Examiner—Louis S. Zarfes

Assistant Examiner—Catherine R. Oliver

(74) *Attorney, Agent, or Firm*—Salter & Michaelson

(**) Term: **14 Years**

(57) **CLAIM**

(21) Appl. No.: **29/126,202**

The ornamental design for a multi-purpose walking stick, as shown and described.

(22) Filed: **Jul. 11, 2000**

(30) **Foreign Application Priority Data**

DESCRIPTION

Jan. 21, 2000 (HK) 0010114

FIG. 1 is a first perspective view of a multi-purpose walking stick showing my new design;

(51) **LOC (7) Cl.** **03-03**

FIG. 2 is a second perspective view of the walking stick thereof in an extended position;

(52) **U.S. Cl.** **D3/7**

FIG. 3 is a right side elevational view thereof;

(58) **Field of Search** D3/7, 8, 10, 13;
135/65, 66, 68, 75, 77, 910, 911, 70

FIG. 4 is a left side elevational view thereof;

FIG. 5 is a front elevational view thereof;

FIG. 6 is a rear elevational view thereof;

FIG. 7 is a top plan view thereof; and,

FIG. 8 is a bottom plan view thereof.

(56) **References Cited**

The portions shown in broken lines are included for illustrative purposes only and form no part of the claimed design.

U.S. PATENT DOCUMENTS

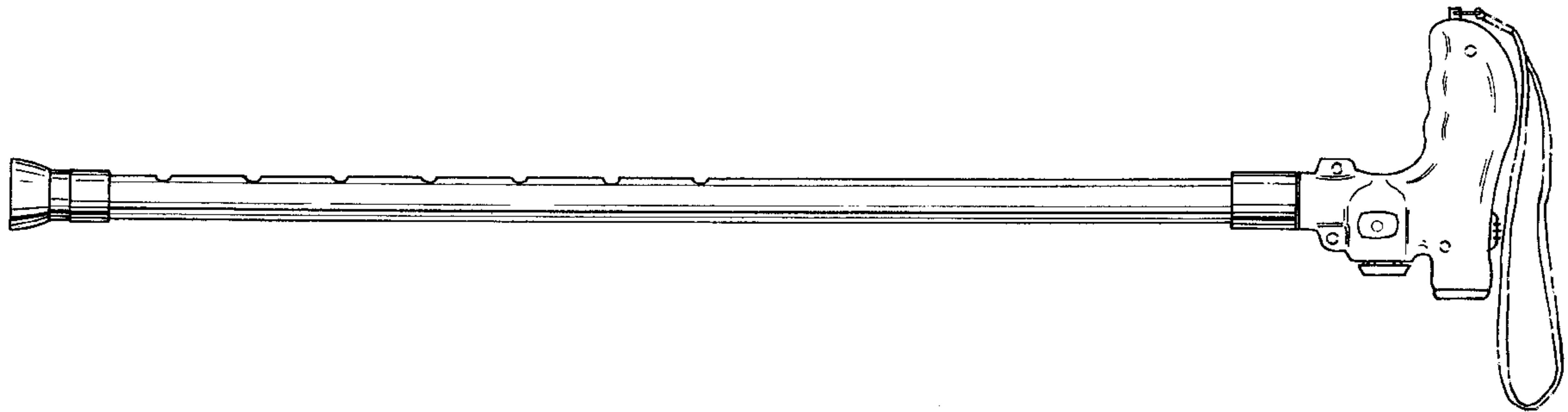
D. 283,370 * 4/1986 Hill D3/7

D. 325,670 * 4/1992 Champigny D3/7

D. 427,763 * 7/2000 Kikuchi et al. D3/7

4,582,079 * 4/1986 Fields 135/75

1 Claim, 5 Drawing Sheets



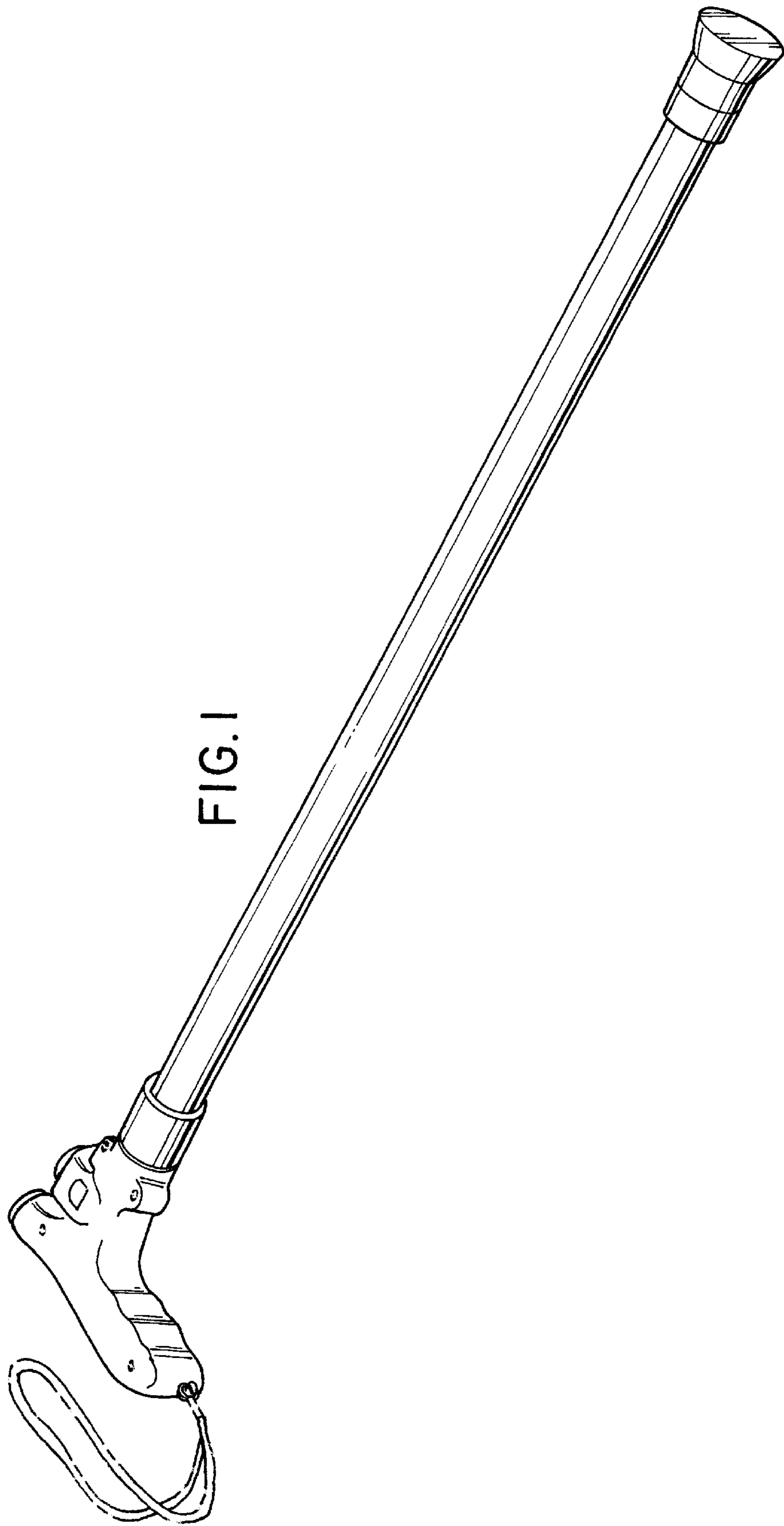


FIG. 1

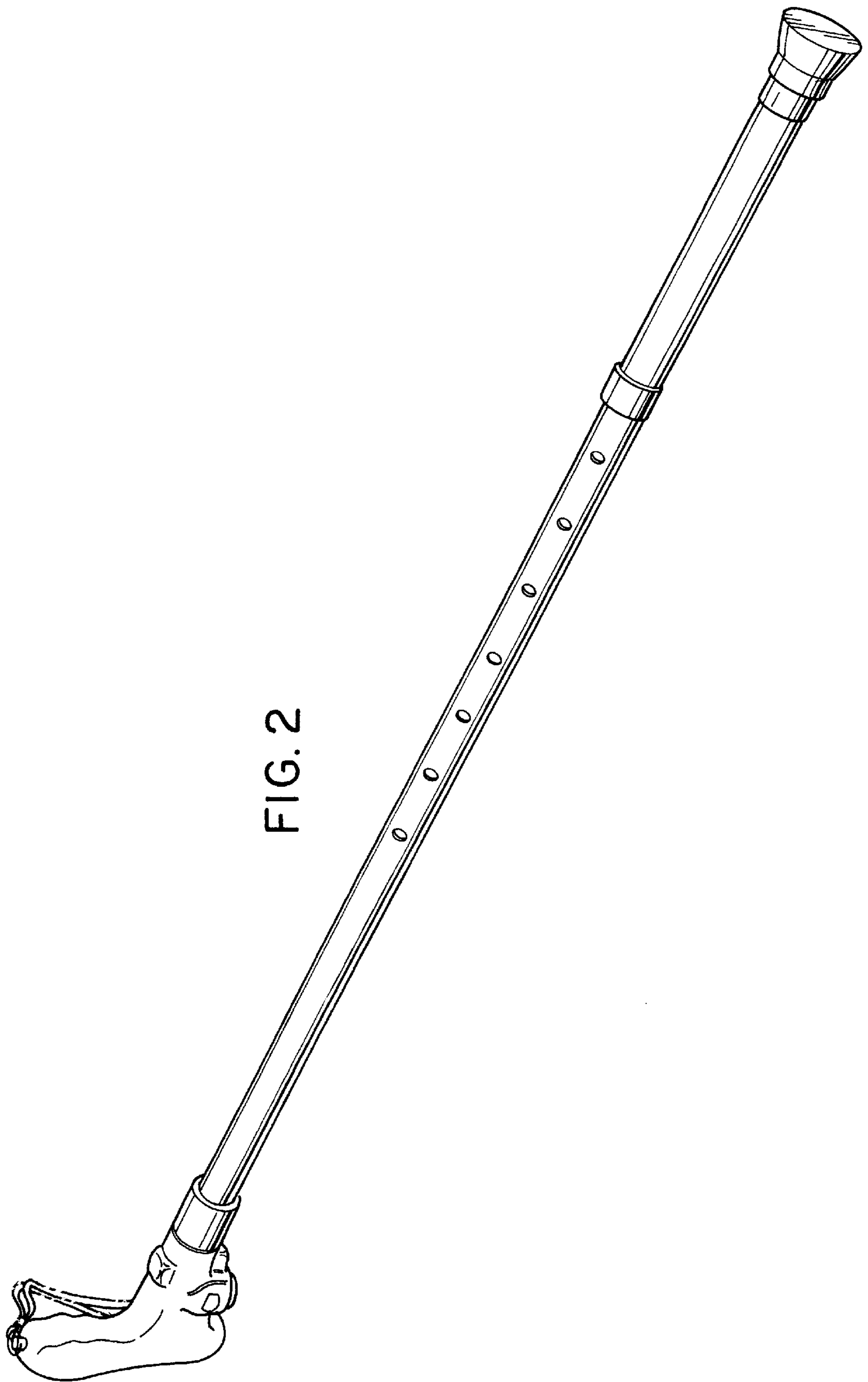


FIG. 2

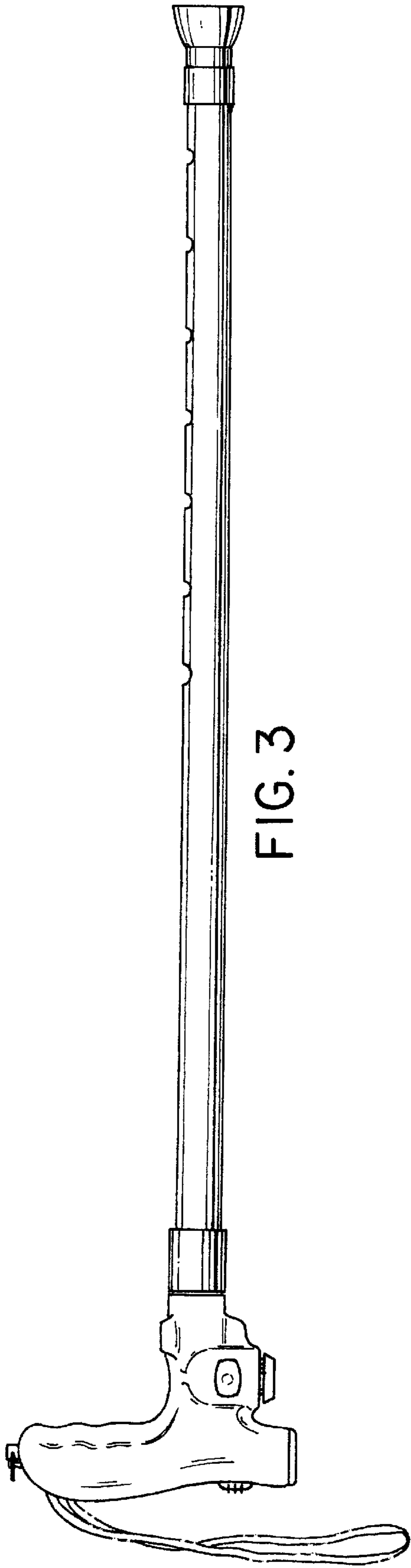


FIG. 3

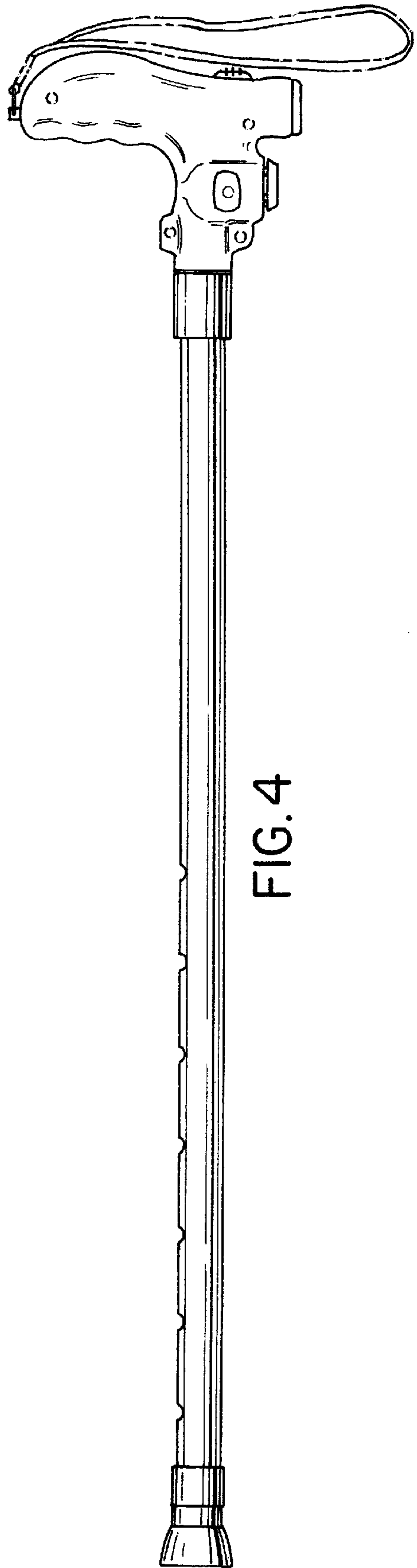


FIG. 4

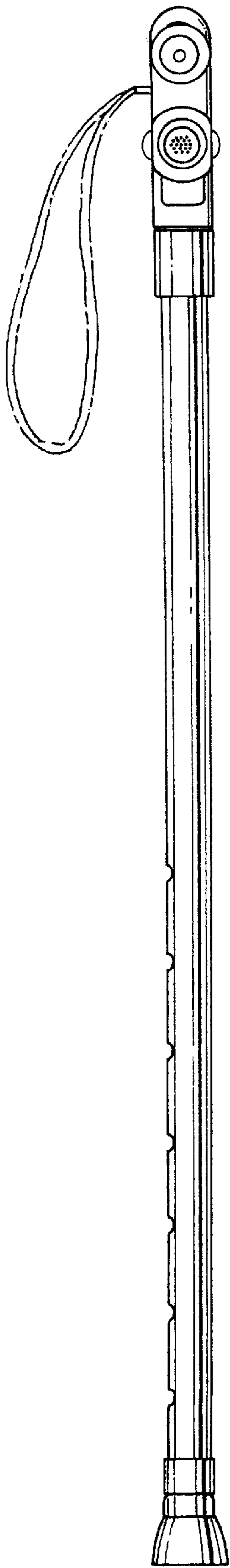


FIG. 5

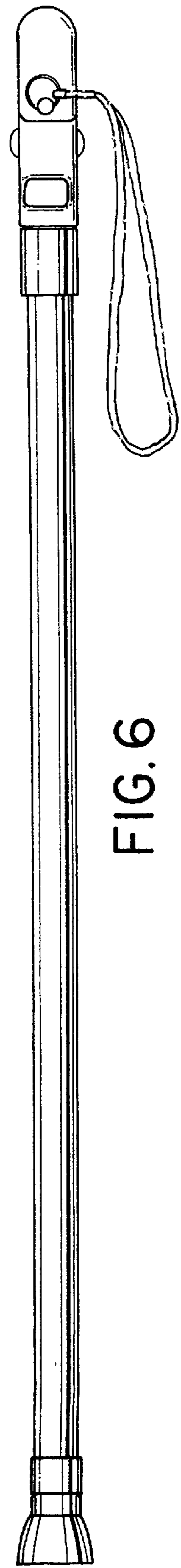


FIG. 6

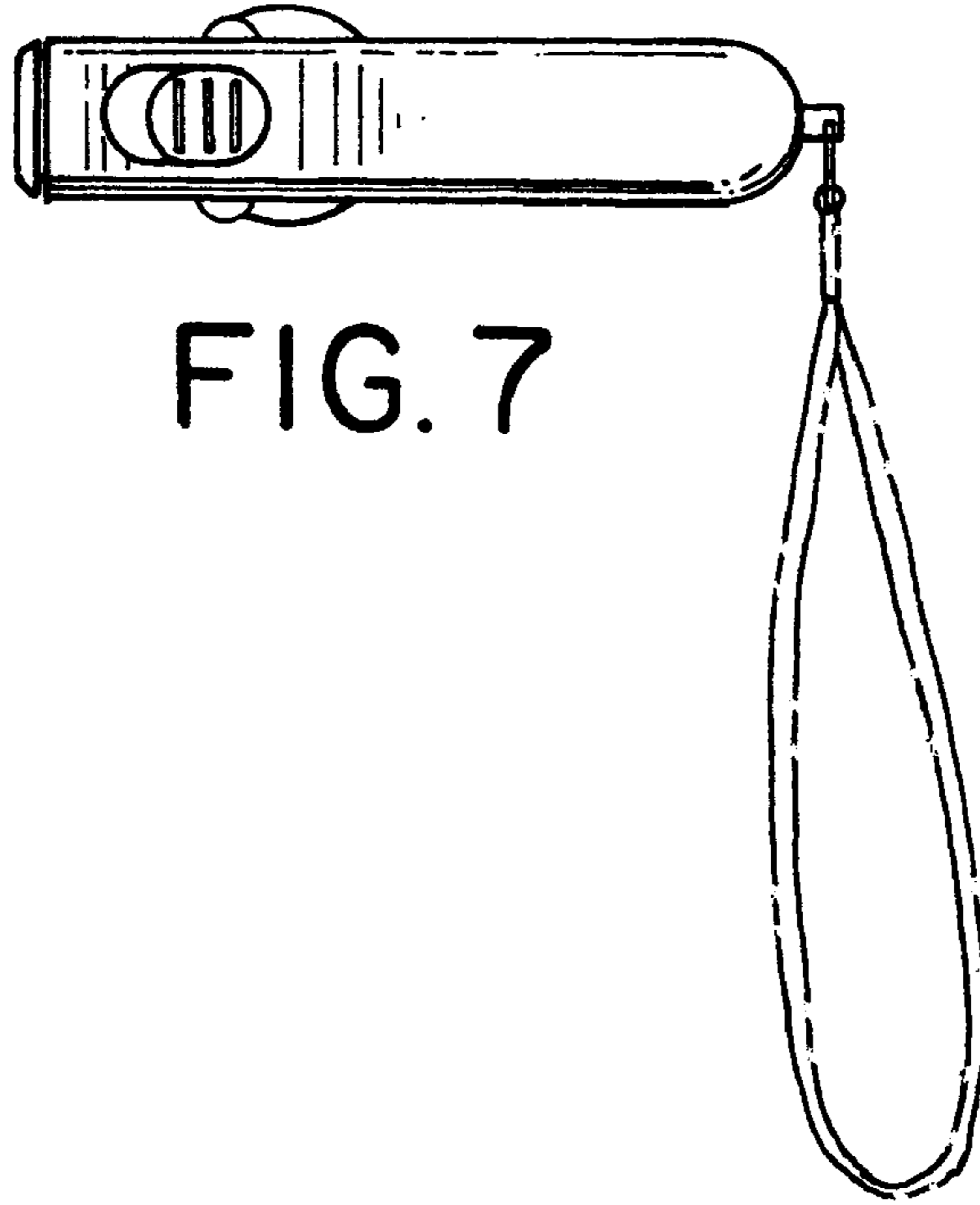


FIG. 7

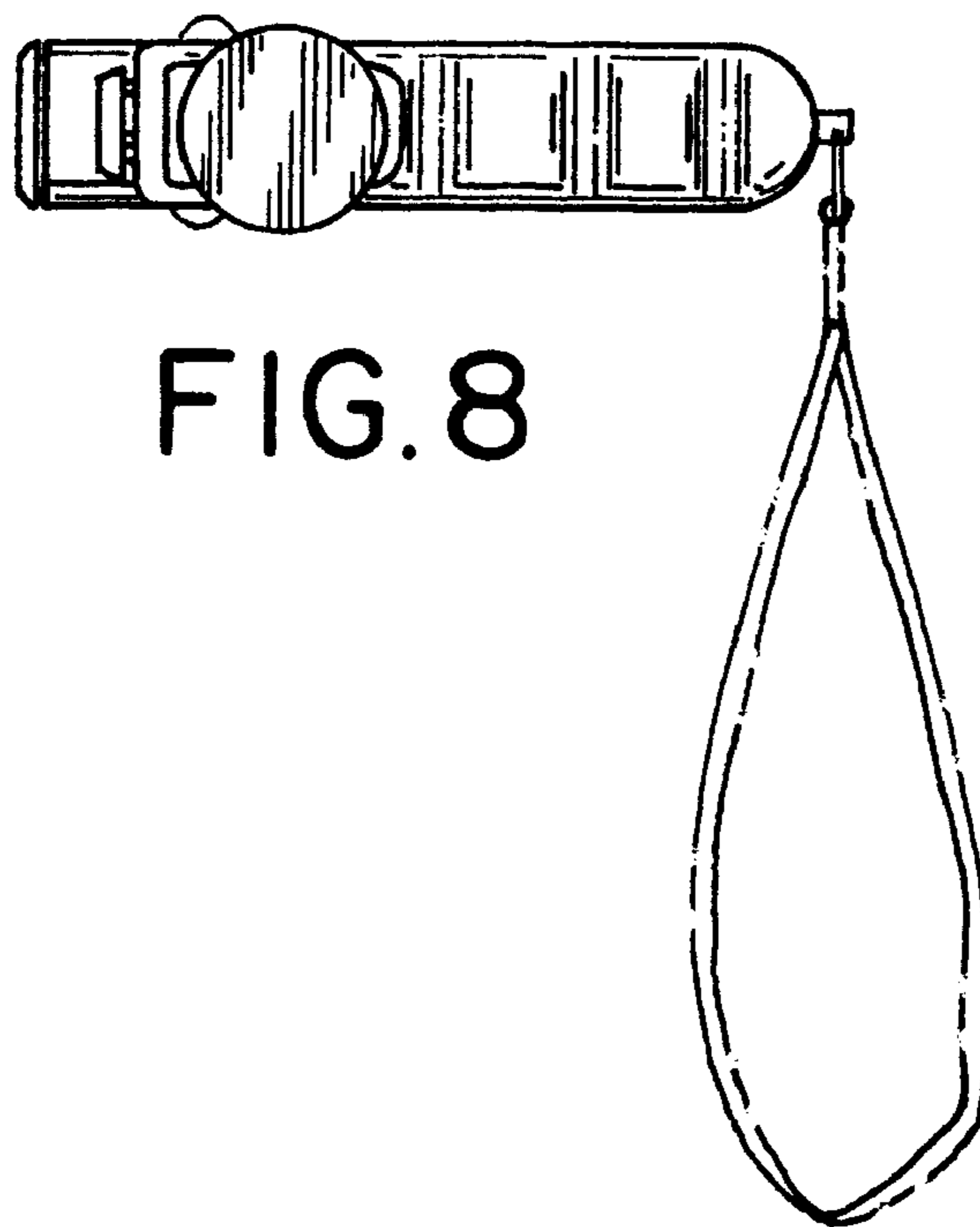


FIG. 8