



US00D441935S

(12) **United States Design Patent**
Cook

(10) **Patent No.:** **US D441,935 S**

(45) **Date of Patent:** **** May 8, 2001**

(54) **MULTIPURPOSE CART**

(75) Inventor: **James E. Cook**, Anoka, MN (US)

(73) Assignee: **Pumptec, Inc.**, Anoka, MN (US)

(**) Term: **14 Years**

(21) Appl. No.: **29/122,698**

(22) Filed: **May 2, 2000**

(51) **LOC (7) Cl.** **12-02**

(52) **U.S. Cl.** **D34/24; D34/12**

(58) **Field of Search** **D34/12-27; 280/47.19,**
280/47.26, 47.29, 47.35, 651, 684

(56) **References Cited**

U.S. PATENT DOCUMENTS

D. 345,842 * 4/1994 Sloan et al. D34/26

5,468,005 * 11/1995 Yang 280/40
5,626,352 * 5/1997 Grace 280/47.29

* cited by examiner

Primary Examiner—Kay H. Chin

(74) *Attorney, Agent, or Firm*—Roger W. Jensen

(57) **CLAIM**

The ornamental design for a multipurpose cart, as shown.

DESCRIPTION

FIG. 1 is a left front perspective view of a multipurpose cart showing my new design; FIG. 2 is a right side view thereof; FIG. 3 is a back side elevational view thereof; FIG. 4 is a top view thereof; and, FIG. 5 is a bottom view thereof.

1 Claim, 3 Drawing Sheets

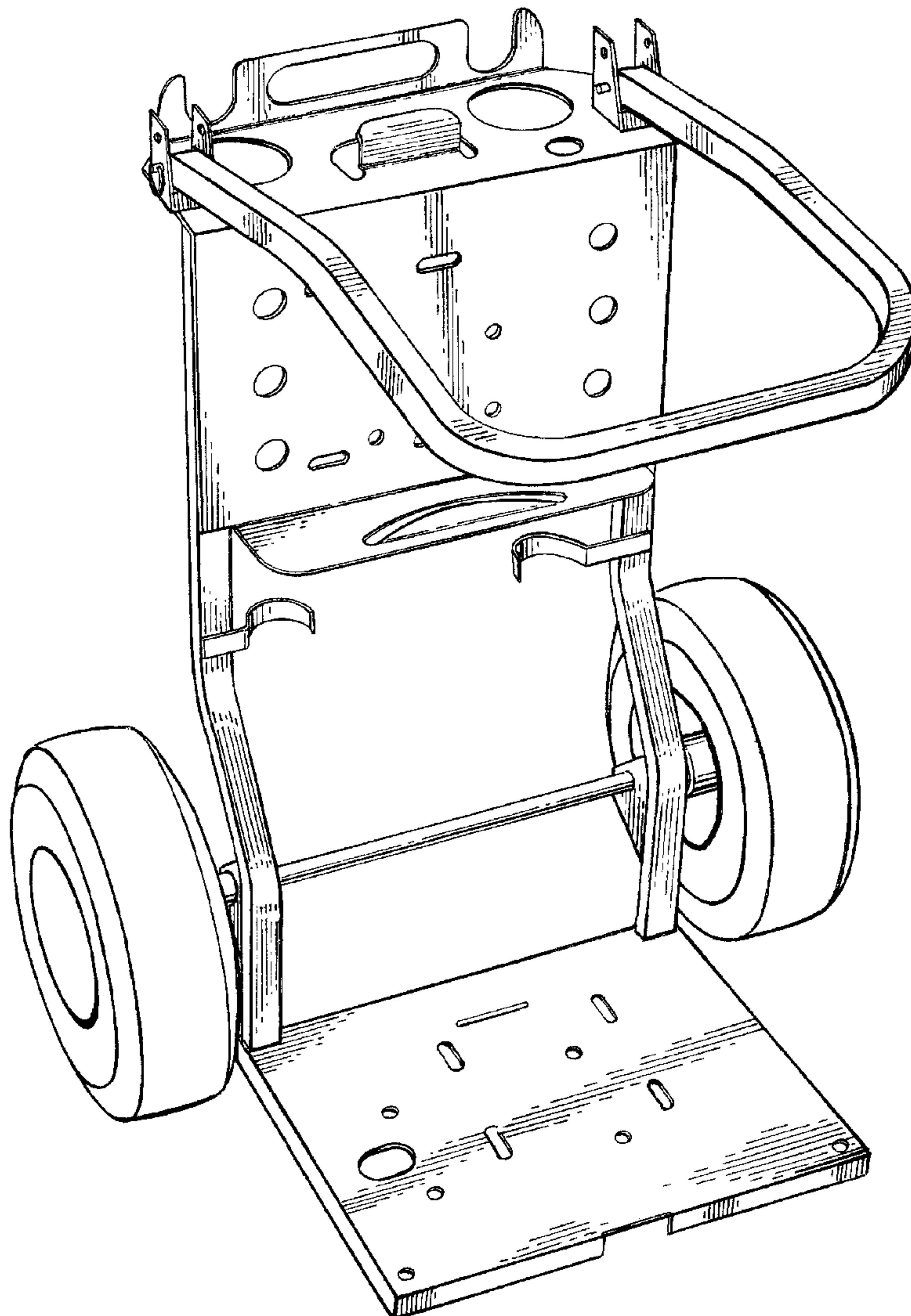


FIG. 1

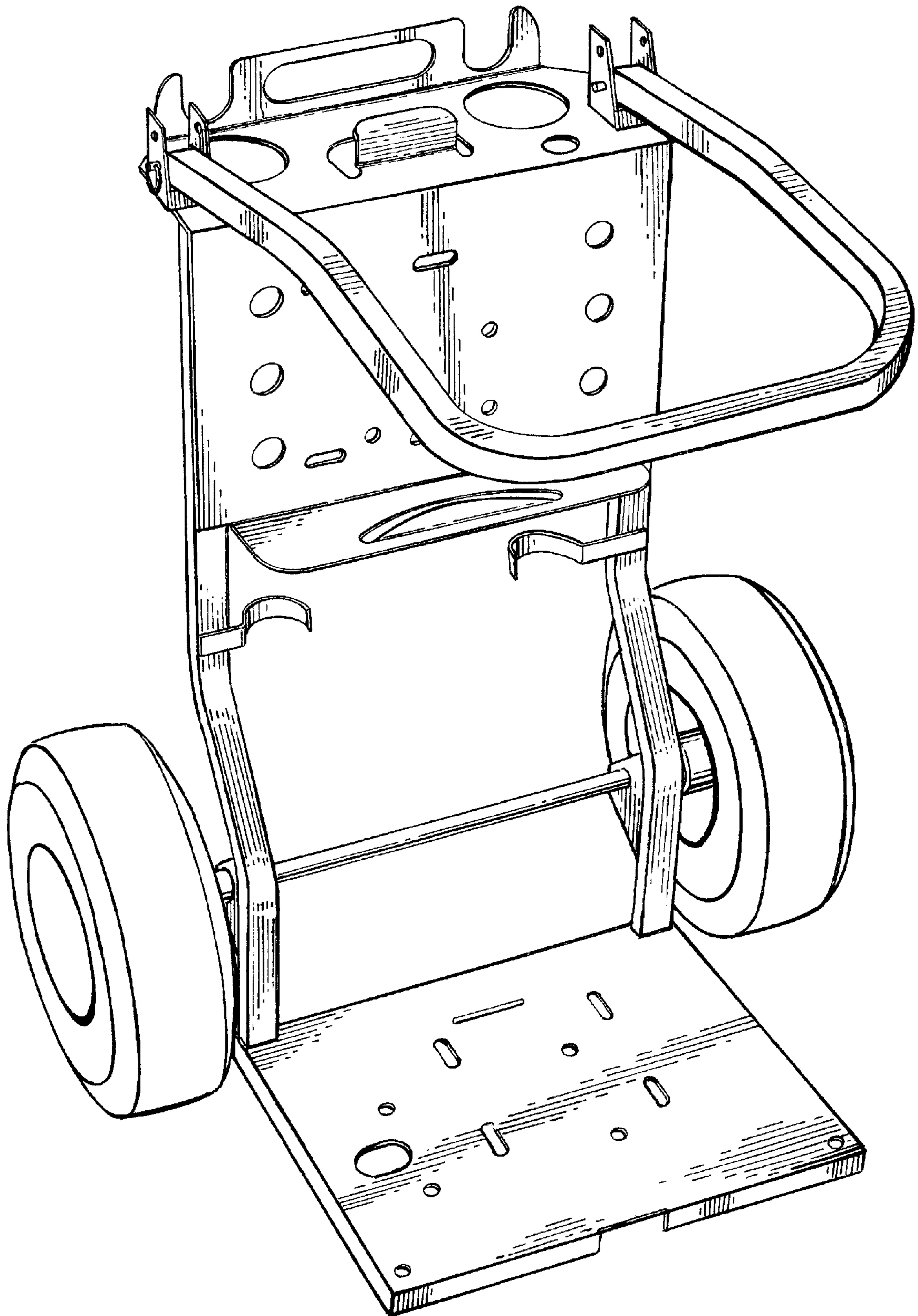


FIG. 3

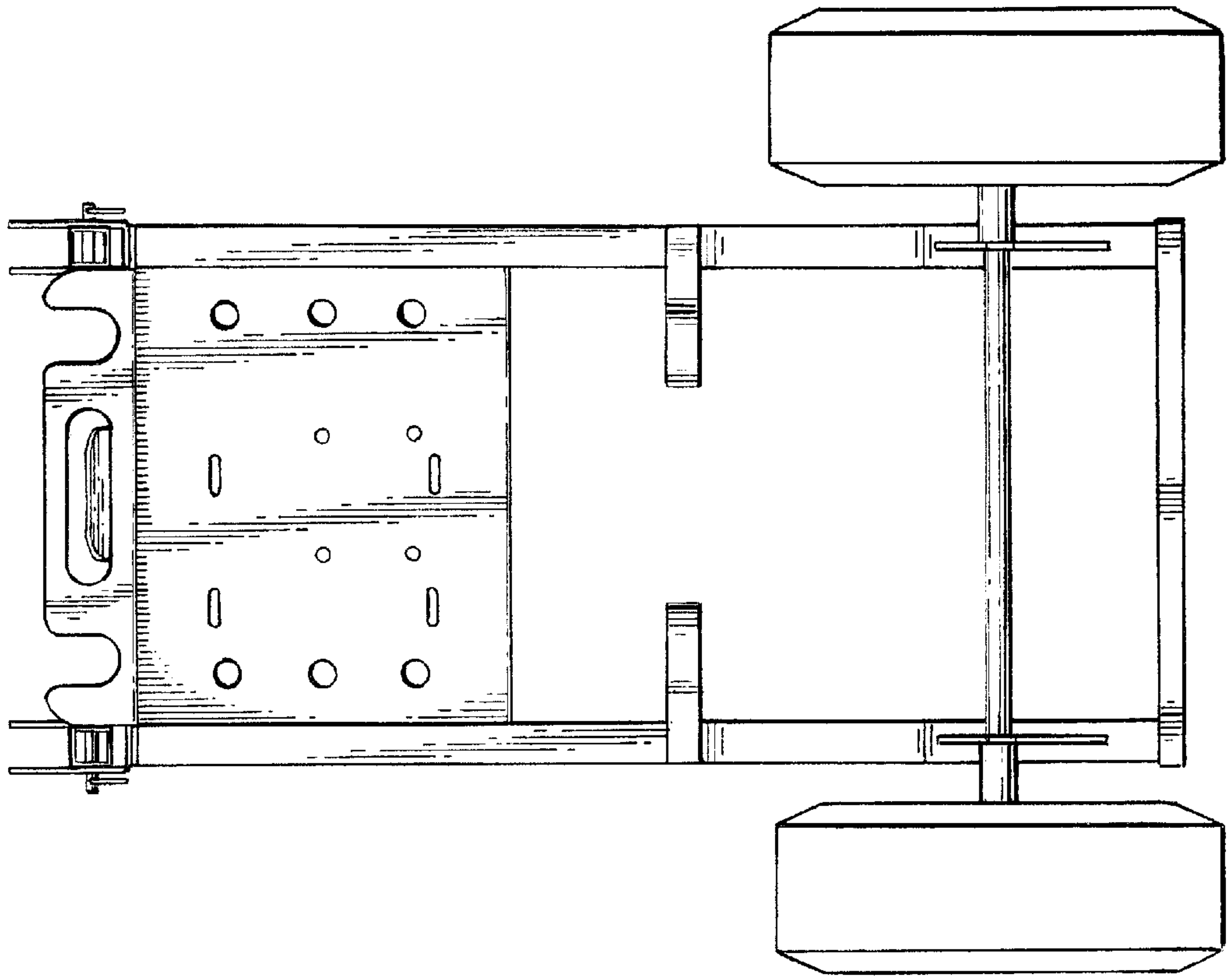


FIG. 2

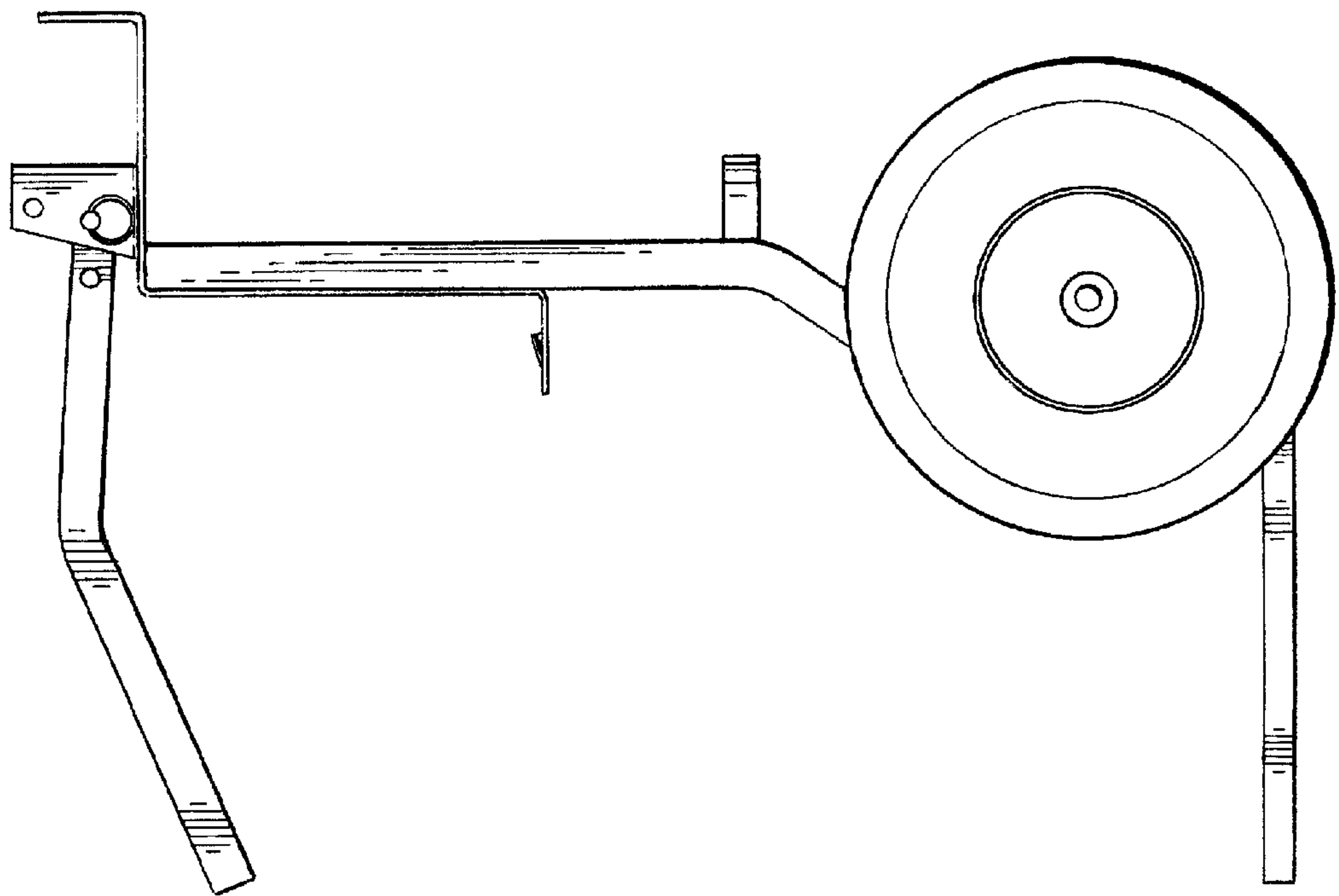


FIG. 5

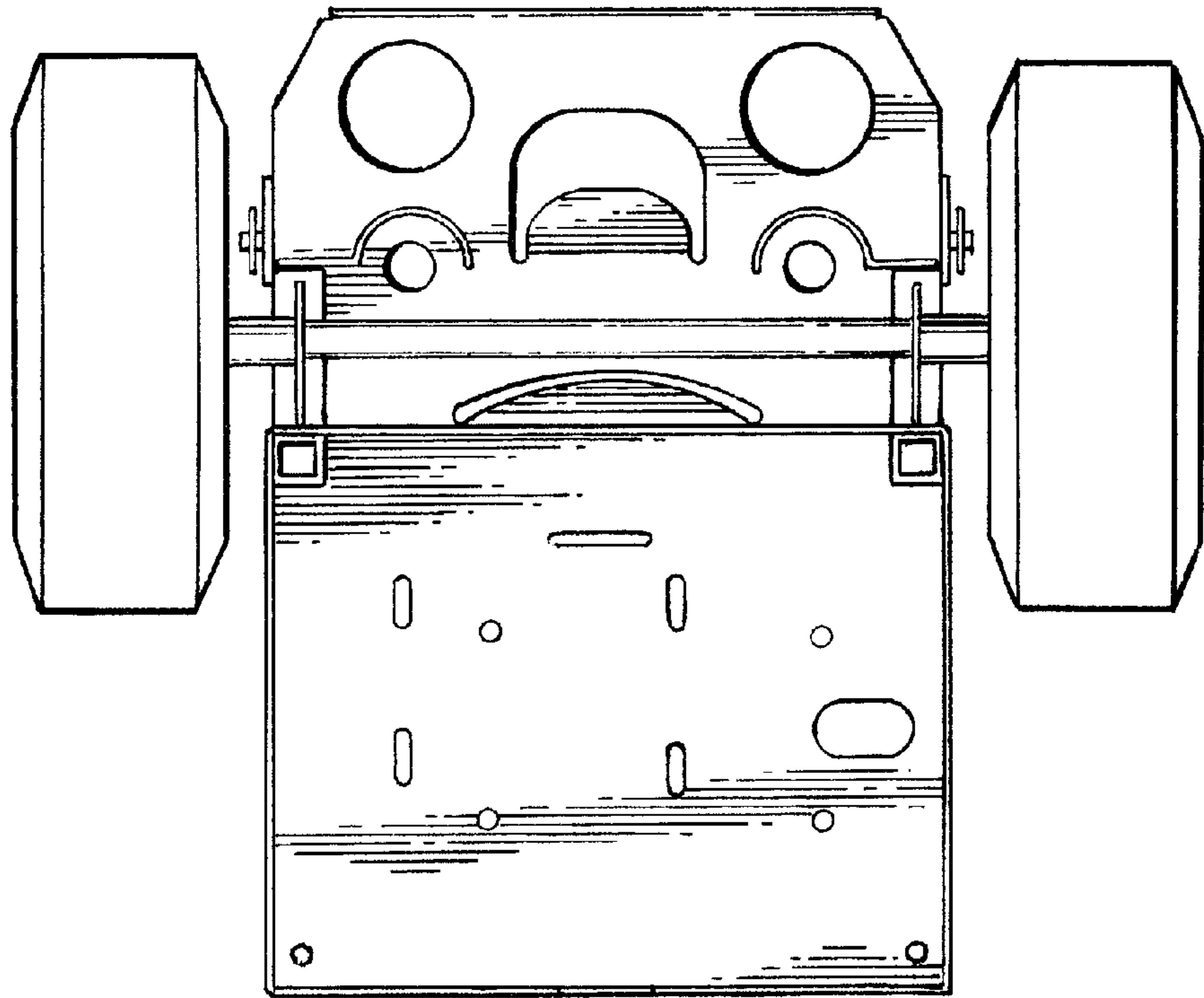


FIG. 4

