



US00D441933S

(12) **United States Design Patent**
Savage et al.

(10) **Patent No.:** **US D441,933 S**

(45) **Date of Patent:** **** May 8, 2001**

(54) **REFUSE BIN**

(75) Inventors: **Alan C. Savage**, West Vancouver; **Greg Corrigan**; **Karen Winfield**, both of Vancouver, all of (CA)

(73) Assignee: **Southern Gold Resources Ltd.**, West Vancouver (CA)

(**) Term: **14 Years**

(21) Appl. No.: **29/115,208**

(22) Filed: **Dec. 10, 1999**

(51) **LOC (7) Cl.** **09-09**

(52) **U.S. Cl.** **D34/1; D32/74**

(58) **Field of Search** D34/1, 5, 6, 7;
D32/74; 280/908, 909, 910, 911; 15/257.1,
257.4, 257.8, 257.9

(56) **References Cited**

U.S. PATENT DOCUMENTS

123,569	2/1872	Lothrop .	
D. 182,367	*	3/1958 La Pan	D34/1
D. 183,490	*	9/1958 Jones	D34/1
D. 236,938	*	9/1975 Bowen	D34/5
244,115	*	7/1881 Dietz	15/257.1
D. 402,780	*	12/1998 Alt	D32/74
655,384	*	8/1900 Walder	15/257.1
755,145		3/1904 Lebach .	
849,239	*	4/1907 Hill	15/257.1
994,771		6/1911 Moore .	
1,009,691		11/1911 Raughtigan .	
1,205,064		11/1916 Varian .	

1,213,423	1/1917	Schaffer .	
1,659,461	*	2/1928 Curran	15/257.4
3,671,995	*	6/1972 Carr	15/257.1
5,715,564	*	2/1998 Knouse	15/257.3

* cited by examiner

Primary Examiner—Cynthia E Ramirez

(74) *Attorney, Agent, or Firm*—Shlesinger Arkwright & Garvey, LLP

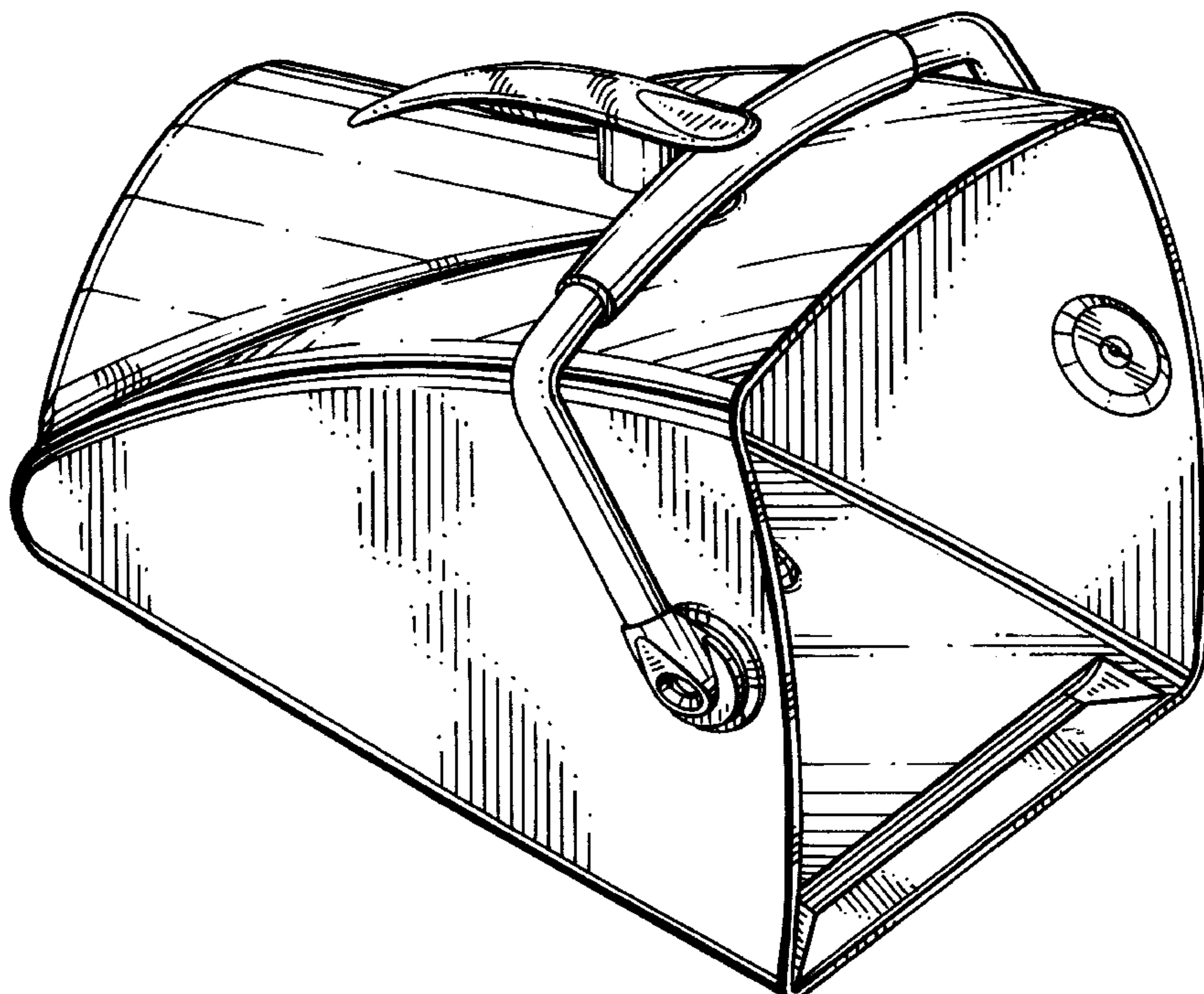
(57) **CLAIM**

The ornamental design for a refuse bin, as shown and described.

DESCRIPTION

FIG. 1 is a perspective front view of the refuse bin of the present invention;
 FIG. 2 is a front elevational view of the refuse bin of FIG. 1;
 FIG. 3 is a top view of the refuse bin of FIG. 1;
 FIG. 4 is a bottom view of the refuse bin of FIG. 1;
 FIG. 5 is a side view of the refuse bin of FIG. 1;
 FIG. 6 is a side view of the refuse bin of FIG. 1 showing the handle in an alternate position;
 FIG. 7 is an illustrative side view of the refuse bin of FIG. 1;
 FIG. 8 is an illustrative side view of the refuse bin of FIG. 1 showing the handle in another alternate position; and,
 FIG. 9 is a rear view of the refuse container of FIG. 1.
 The broken line showing of a hand in FIGS. 6–8 is for illustrative purposes only and forms no part of the claimed design.

1 Claim, 6 Drawing Sheets



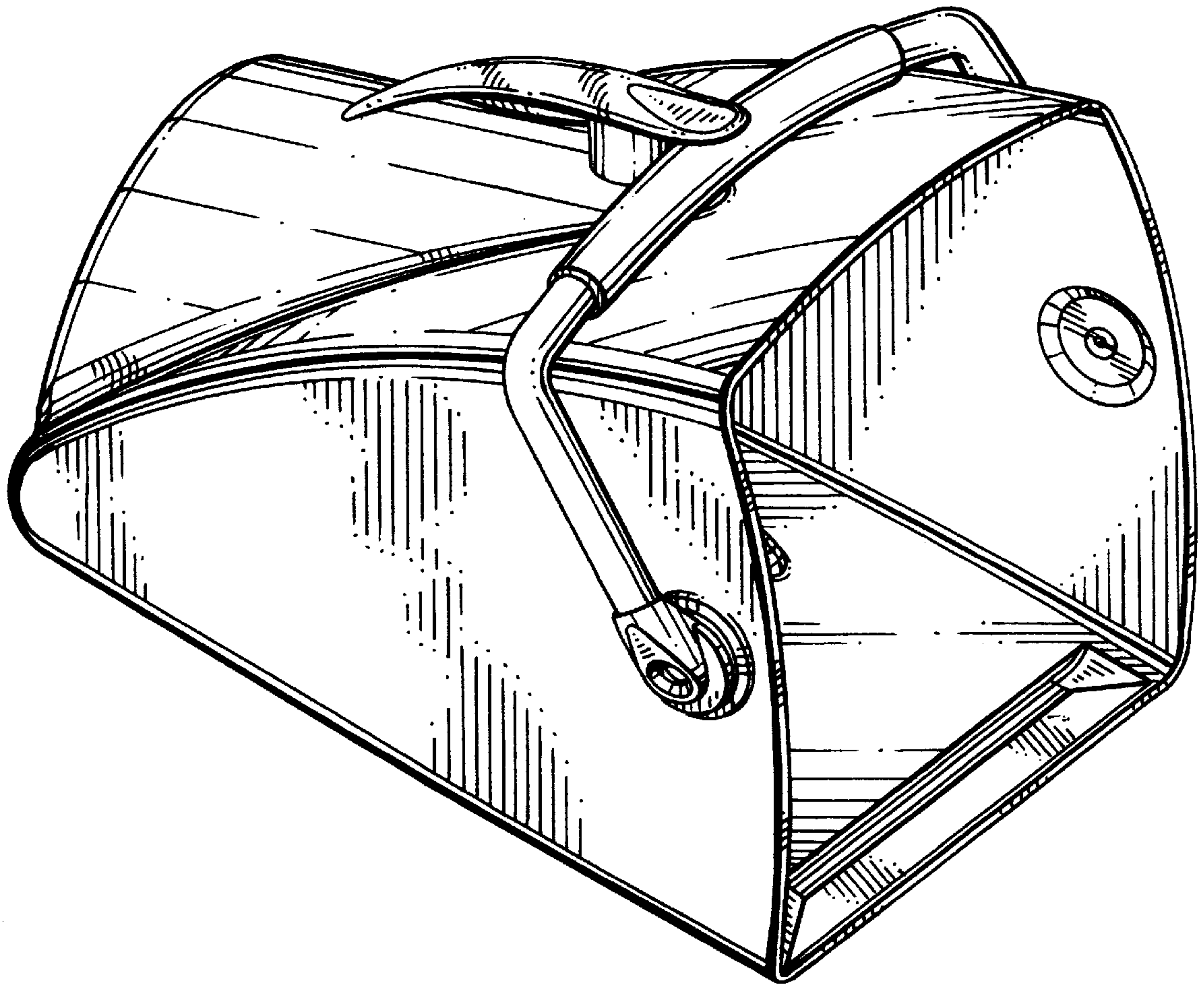


FIG. 1

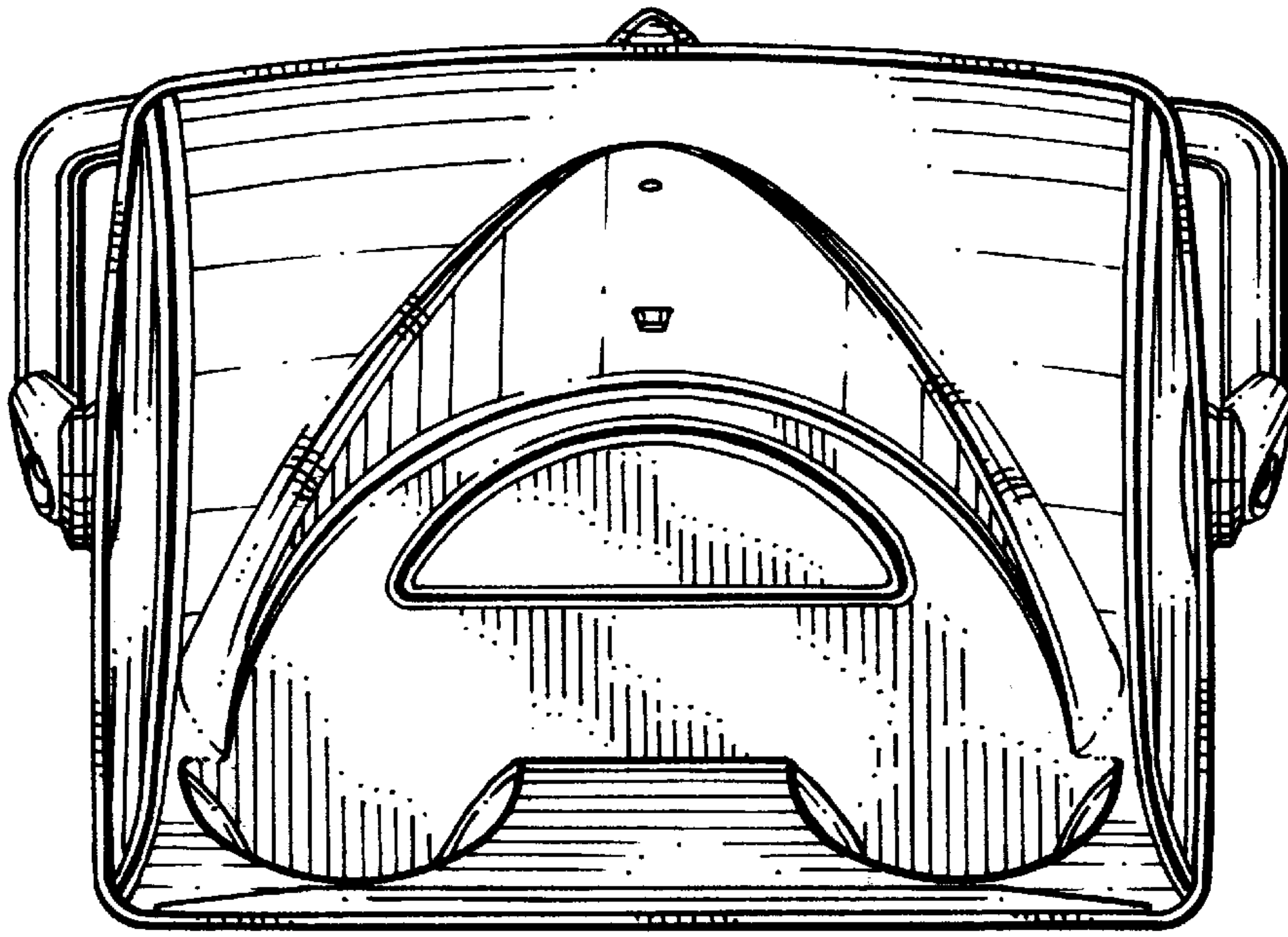


FIG. 2

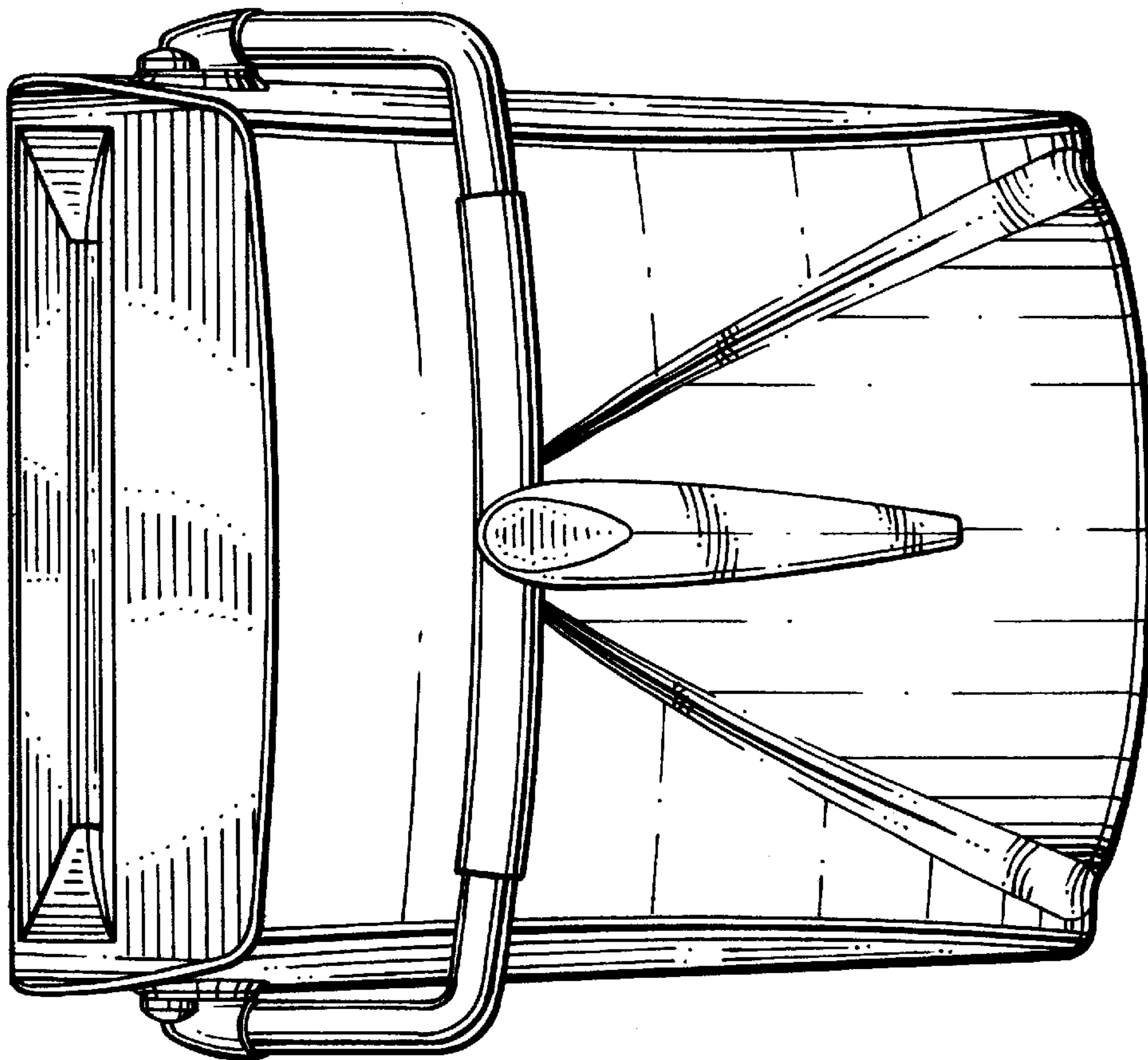


FIG. 3

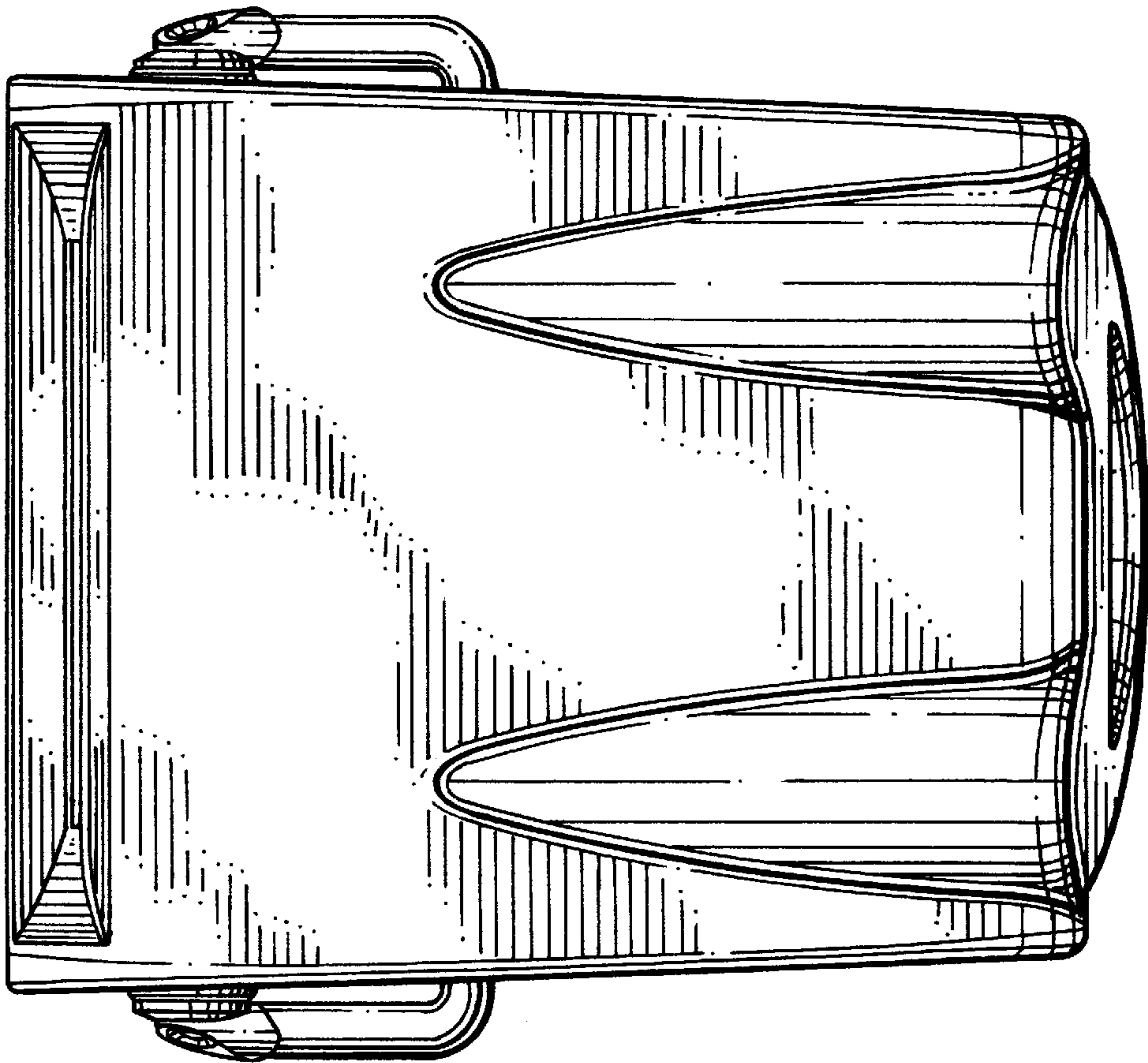


FIG. 4

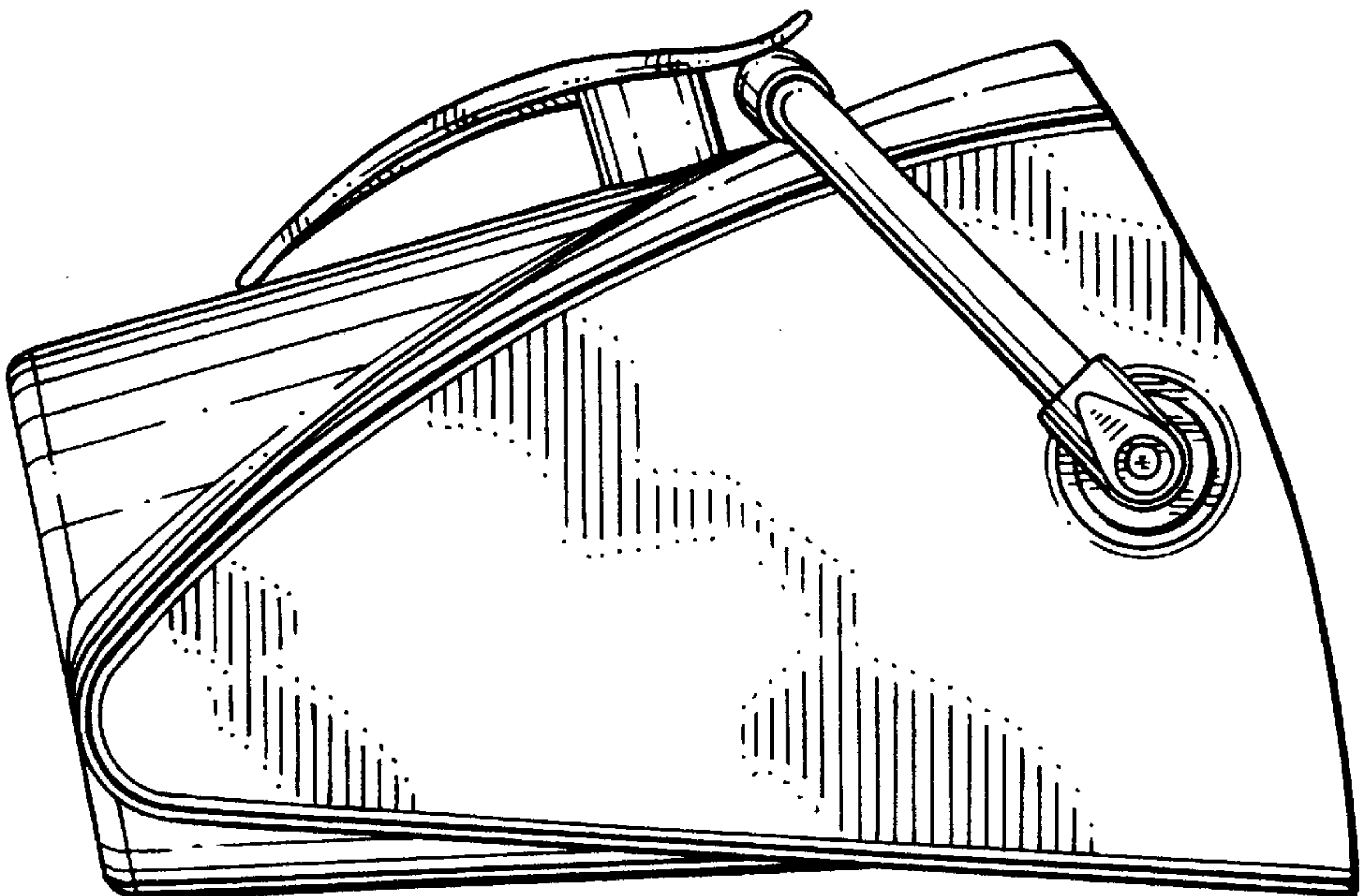


FIG. 5

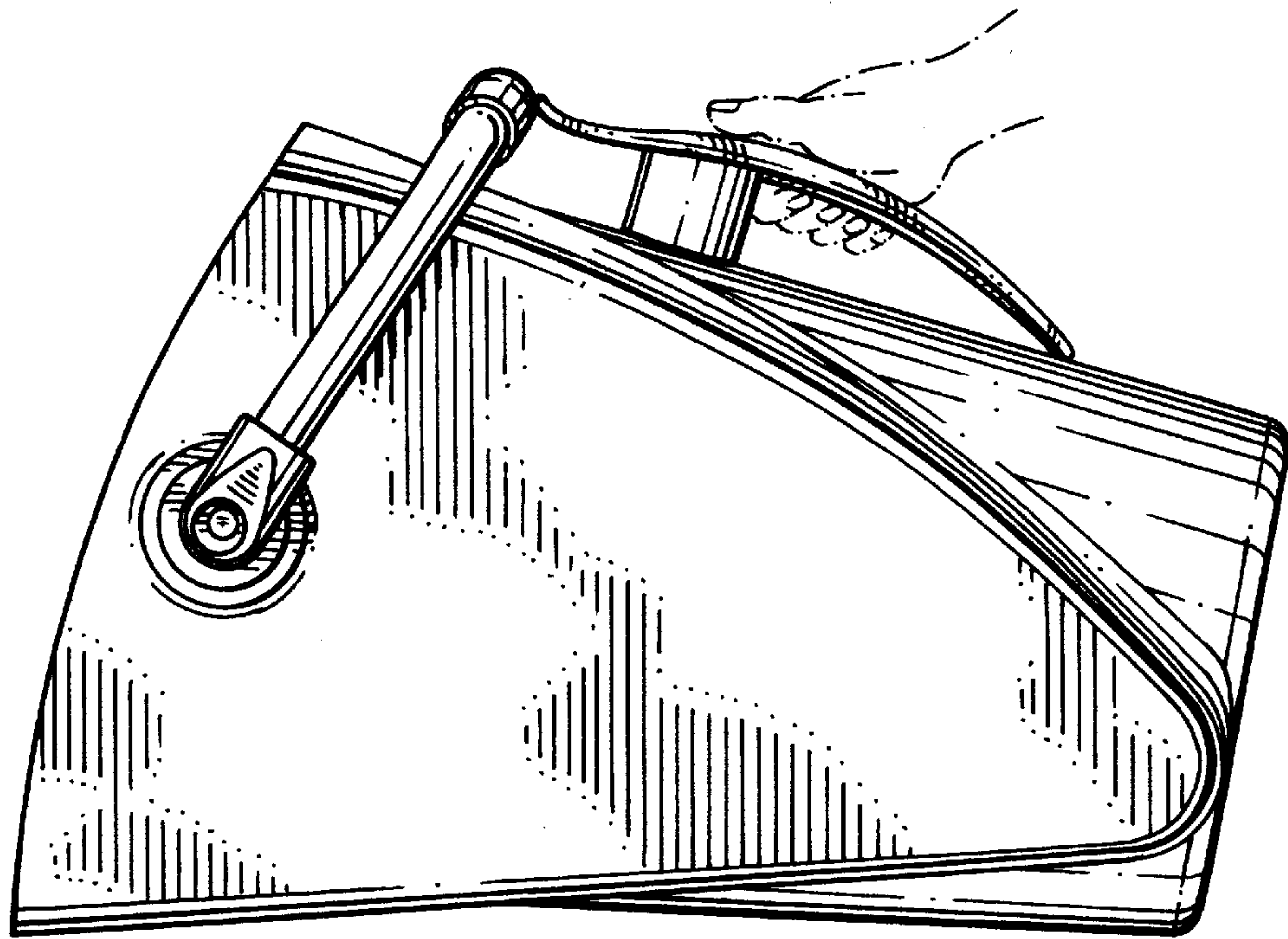


FIG. 6

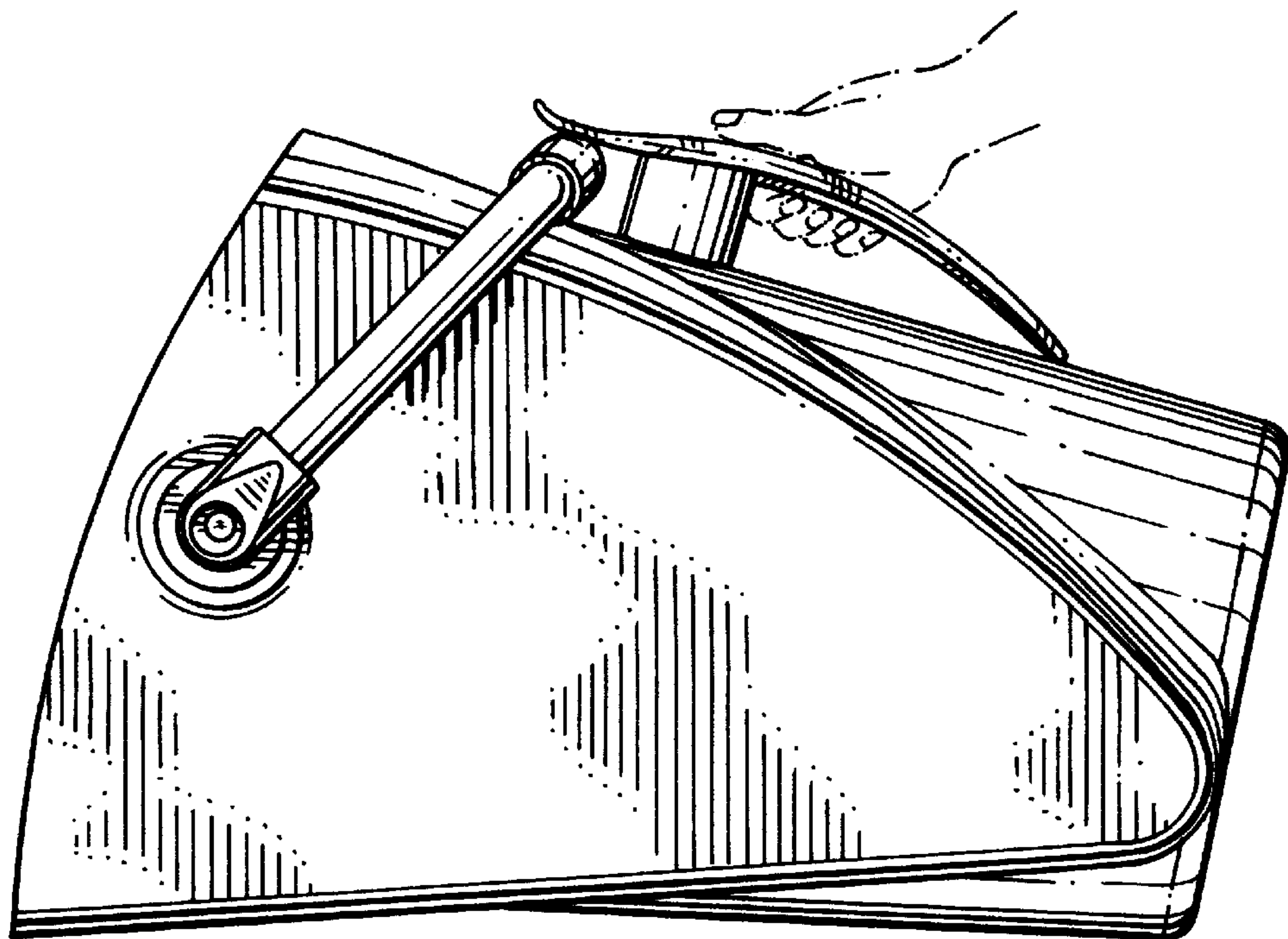


FIG. 7

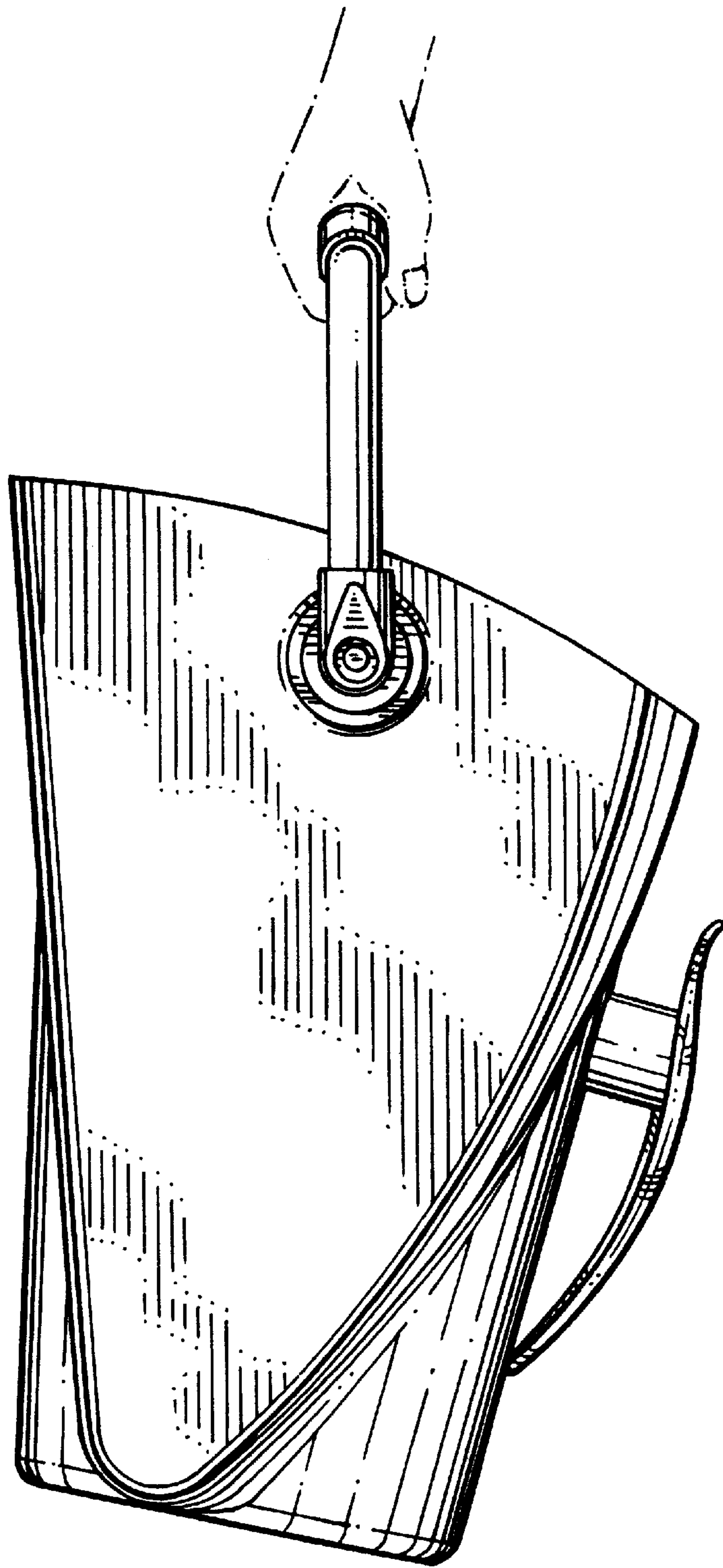


FIG. 8

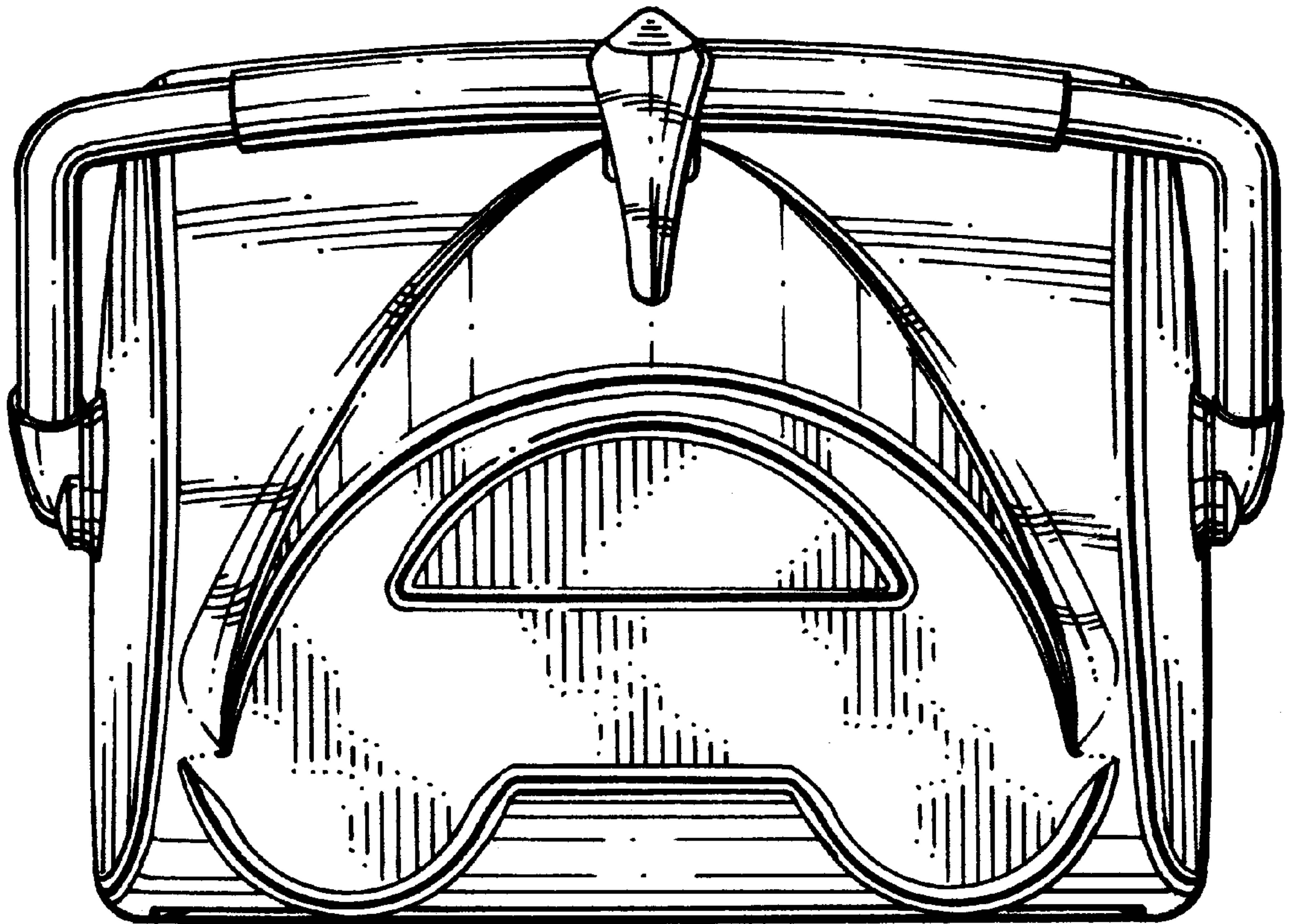


FIG. 9