



US00D441932S

(12) **United States Design Patent**
Skalka

(10) **Patent No.:** **US D441,932 S**

(45) **Date of Patent:** **** May 8, 2001**

(54) **TRASH CAN RECEPTACLE**

(75) Inventor: **Gerald P. Skalka**, Potomac, MD (US)

(73) Assignee: **Victor Stanley, Inc.**, Dunkirk, MD (US)

(**) Term: **14 Years**

(21) Appl. No.: **29/099,029**

(22) Filed: **Jan. 12, 1999**

(51) **LOC (7) Cl.** **09-09**

(52) **U.S. Cl.** **D34/1**

(58) **Field of Search** D34/1, 5, 6, 7,
D34/11; 220/908, 909, 910, 911

(56) **References Cited**

U.S. PATENT DOCUMENTS

D. 51,368	10/1917	Ellis .	
D. 195,906	8/1963	Hickerson .	
D. 216,372	12/1969	Lipko .	
D. 304,253 *	10/1989	Skalka	D34/6
D. 304,632	11/1989	Skalka .	
D. 306,928	3/1990	Hanna .	
D. 314,461 *	2/1991	Skalka	D34/5
D. 322,347 *	12/1991	Skalka	D34/5
D. 322,348 *	12/1991	Skalka	D34/5
D. 353,250 *	12/1994	Skalka	D34/1
D. 371,657 *	7/1996	Kirn et al.	D34/1
D. 391,723 *	3/1998	McMombs	D34/5
711,410	10/1902	Means .	
1,080,470	12/1913	Nutter et al. .	
1,512,976	10/1924	Burkhardt .	
4,955,497	9/1990	Winden et al. .	

* cited by examiner

Primary Examiner—Cynthia E Ramirez

(74) *Attorney, Agent, or Firm*—Jacobson, Price, Holman & Stern, PLLC

(57) **CLAIM**

The ornamental design for a trash can receptacle, as shown and described.

DESCRIPTION

FIG. 1 is a perspective view of a trash can receptacle showing a first embodiment of my new design, shown with the door in an open position.

FIG. 2 is a perspective view of the trash can receptacle of FIG. 1, shown with the door in a closed position.

FIG. 3 is a left side elevational view of the trash can receptacle of FIG. 1, shown with door in a closed position, the right side elevational view being a mirror image thereof.

FIG. 4 is a front elevational view of the trash can receptacle of FIG. 1, shown with door in a closed position.

FIG. 5 is a rear elevational view of the trash can receptacle of FIG. 1, shown with the door in a closed position.

FIG. 6 is a top plan view of the trash can receptacle of FIG. 1, shown with the door in a closed position.

FIG. 7 is a bottom plan view of the trash can receptacle of FIG. 1, shown with the door in a closed position.

FIG. 8 is a perspective view of a trash can receptacle showing a second embodiment of my new design, shown with the door in an open position.

FIG. 9 is a perspective view of the trash can receptacle of FIG. 8, shown with the door in a closed position.

FIG. 10 is a left side elevational view of the trash can receptacle of FIG. 8, shown with the door in a closed position, the right side elevational view being a mirror image thereof.

FIG. 11 is a front elevational view of the trash can receptacle of FIG. 8, shown with the door in a closed position.

FIG. 12 is a rear elevational view of the trash can receptacle of FIG. 8, shown with the door in a closed position.

FIG. 13 is a top plan view of the trash can receptacle of FIG. 8, shown with the door in a closed position.

FIG. 14 is a bottom plan view of the trash can receptacle of FIG. 8, shown with the door in a closed position.

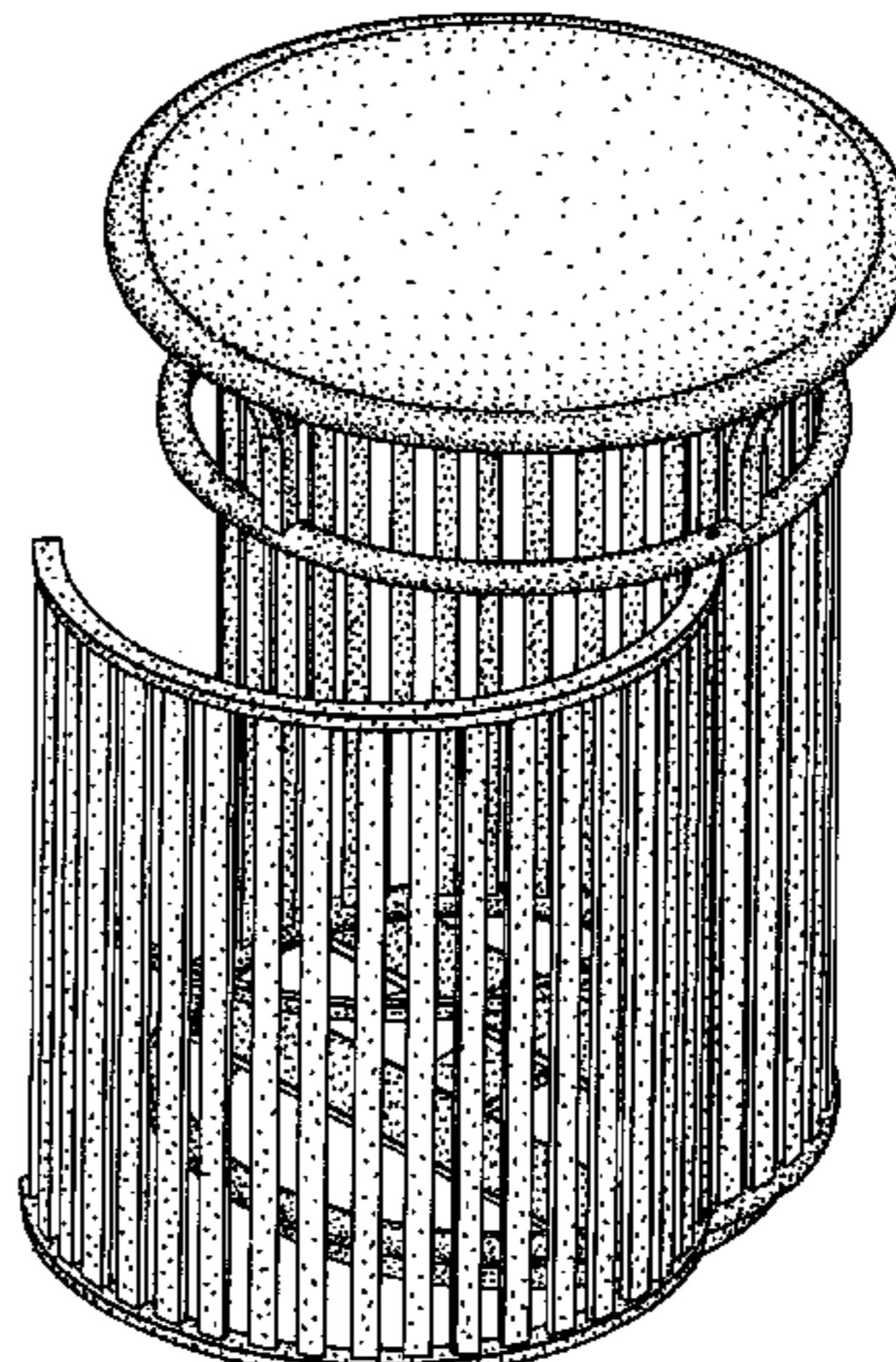
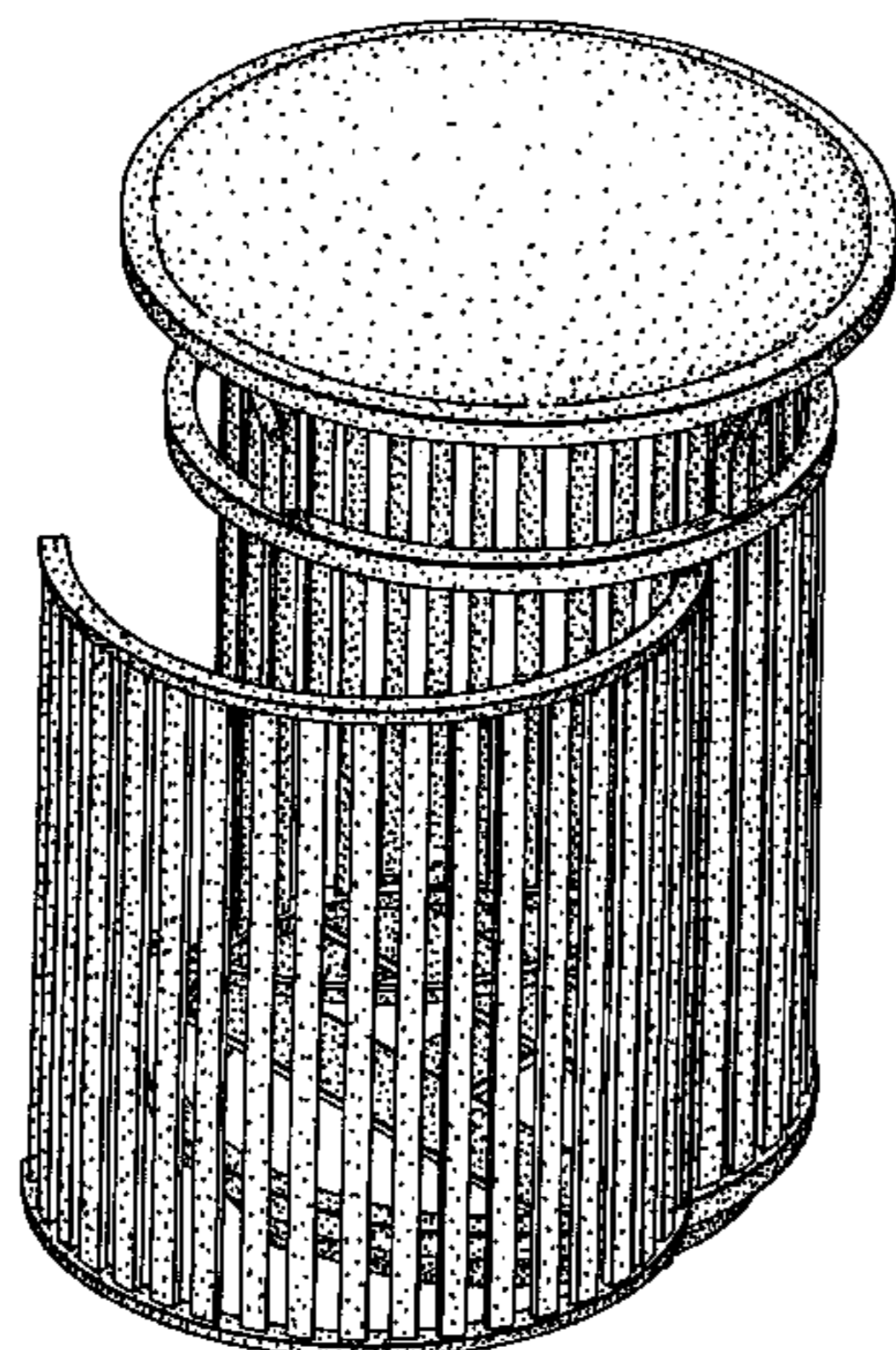


FIG. 15 is a side elevational view of a trash can receptacle showing a third embodiment of my new design, shown with the door in a closed position, the third embodiment being identical to the first embodiment except for the width of the vertical bars, and the top and bottom views thereof being identical to the views of FIGS. 4 and 5.

FIG. 16 is a side elevational view of a trash can receptacle showing a fourth embodiment of my new design, shown with the door in a closed position, the fourth embodiment being identical to the second embodiment except for the width of the vertical bars, and the top and bottom views thereof being identical to the views of FIGS. 9 and 10.

FIG. 17 is a perspective view of a trash can receptacle showing a fifth embodiment of my new design, shown with the door in an open position.

FIG. 18 is a perspective view of the trash can receptacle of FIG. 17, shown with the door in a closed position.

FIG. 19 is a left side elevational view of the trash can receptacle of FIG. 17, shown with the door in a closed position, the right side elevational view being a mirror image thereof.

FIG. 20 is a front elevational view of the trash can receptacle of FIG. 17, shown with the door in a closed position.

FIG. 21 is a rear elevational view of the trash can receptacle of FIG. 17, shown with the door in a closed position.

FIG. 22 is a top plan view of the trash can receptacle of FIG. 17, shown with the door in a closed position; and,

FIG. 23 is a bottom plan view of the trash can receptacle of FIG. 17, shown with the door in a closed position.

1 Claim, 10 Drawing Sheets

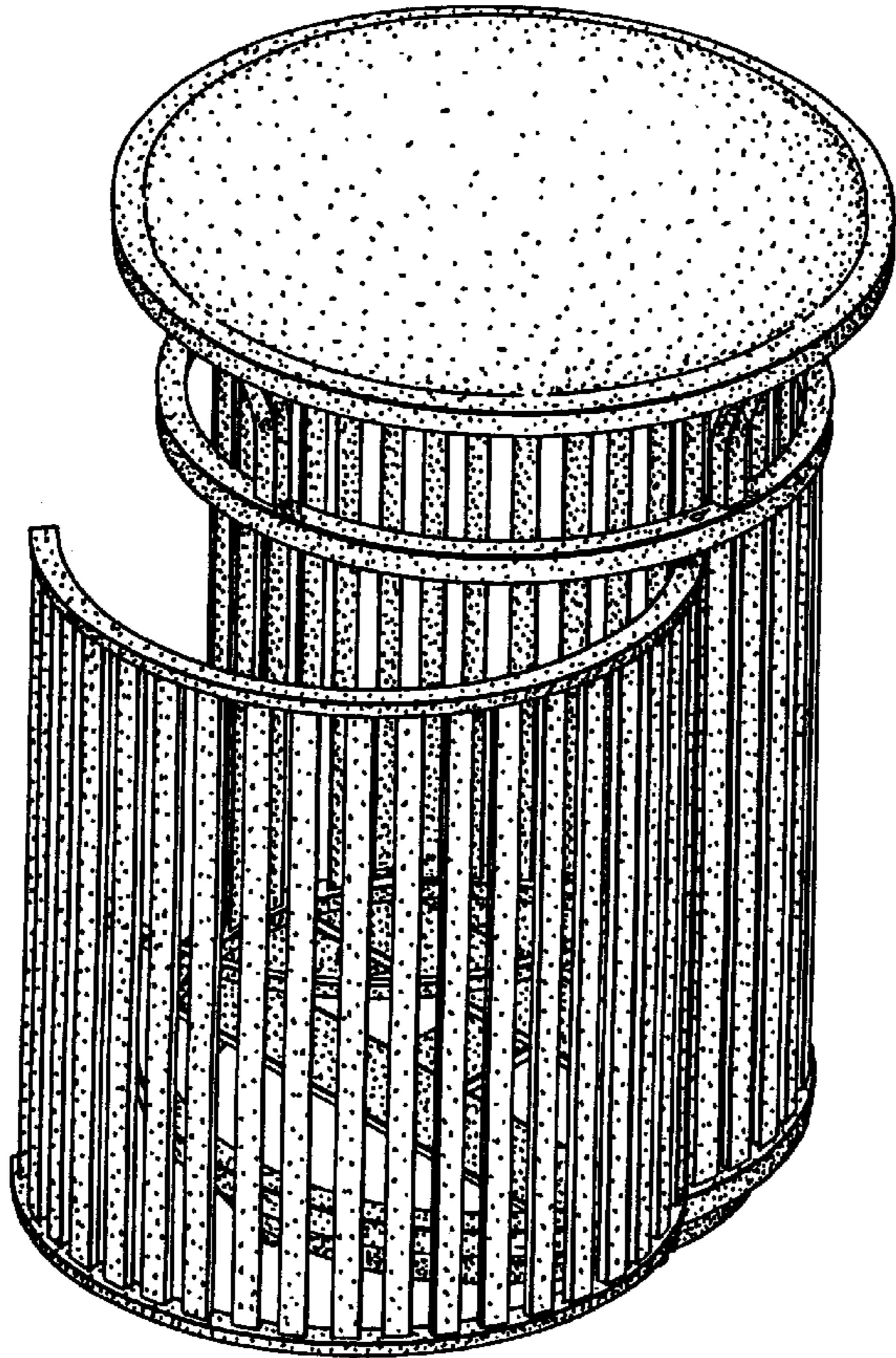


FIG. 1

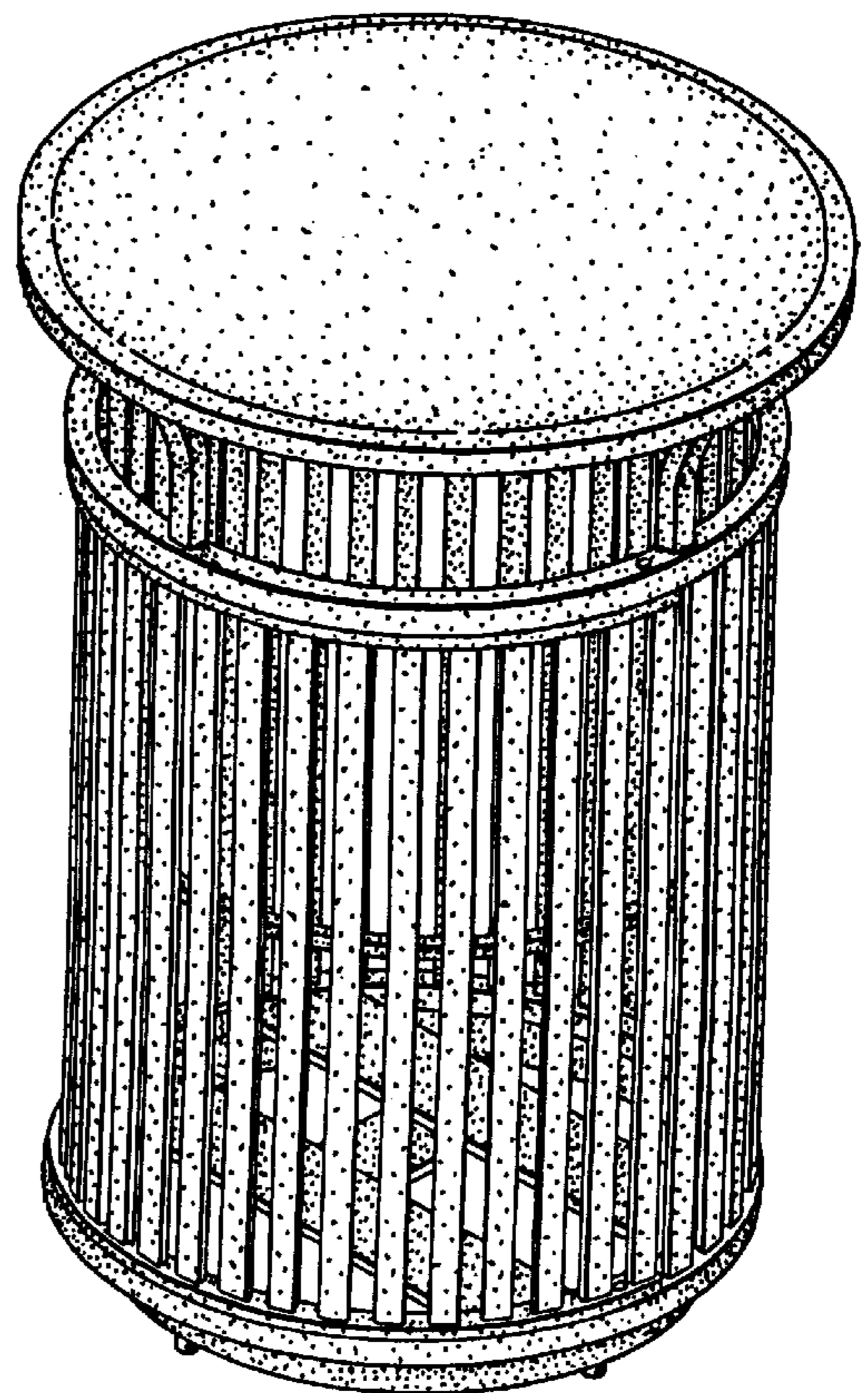


FIG. 2

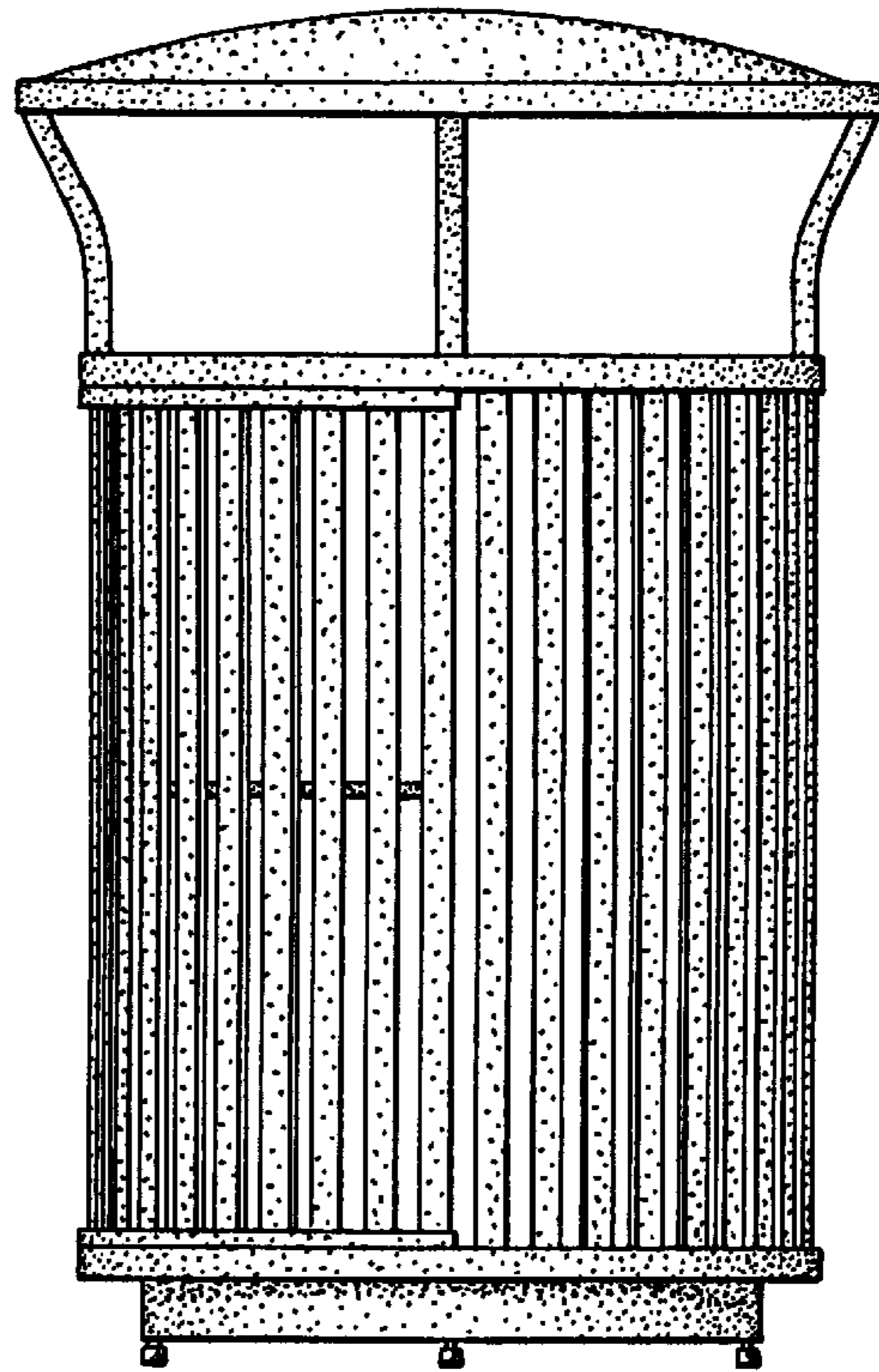


FIG. 3

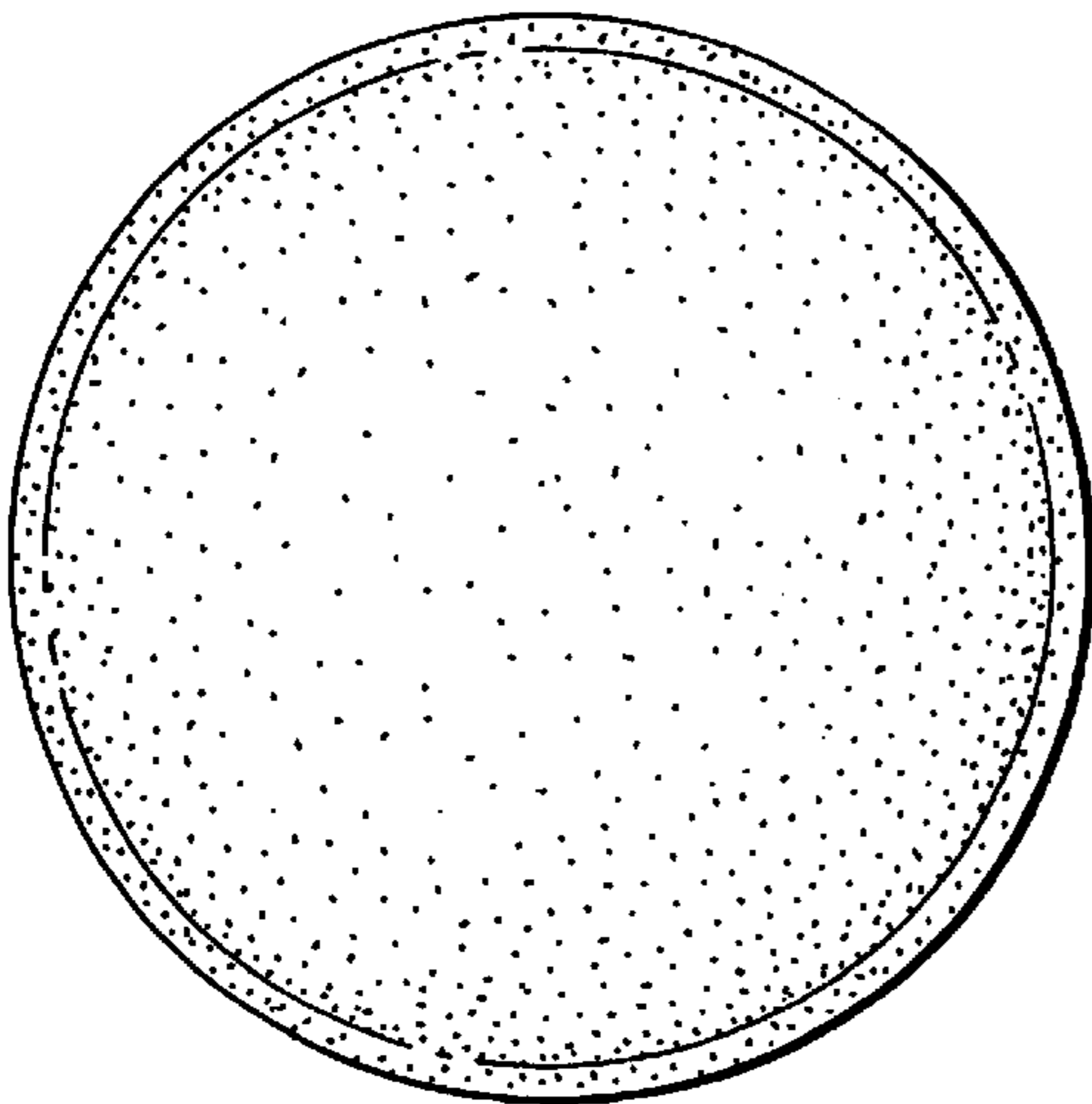


FIG. 6

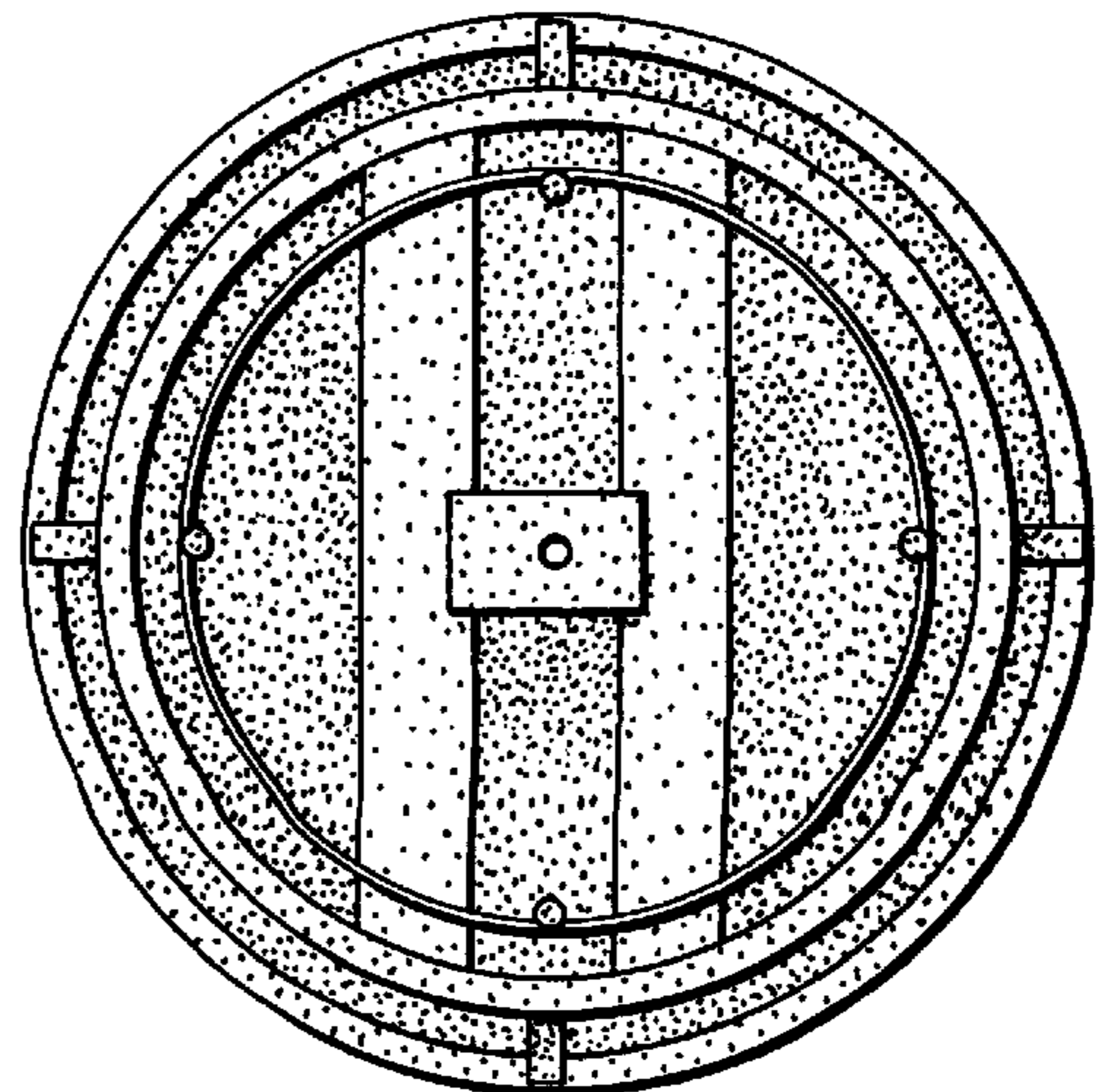


FIG. 7

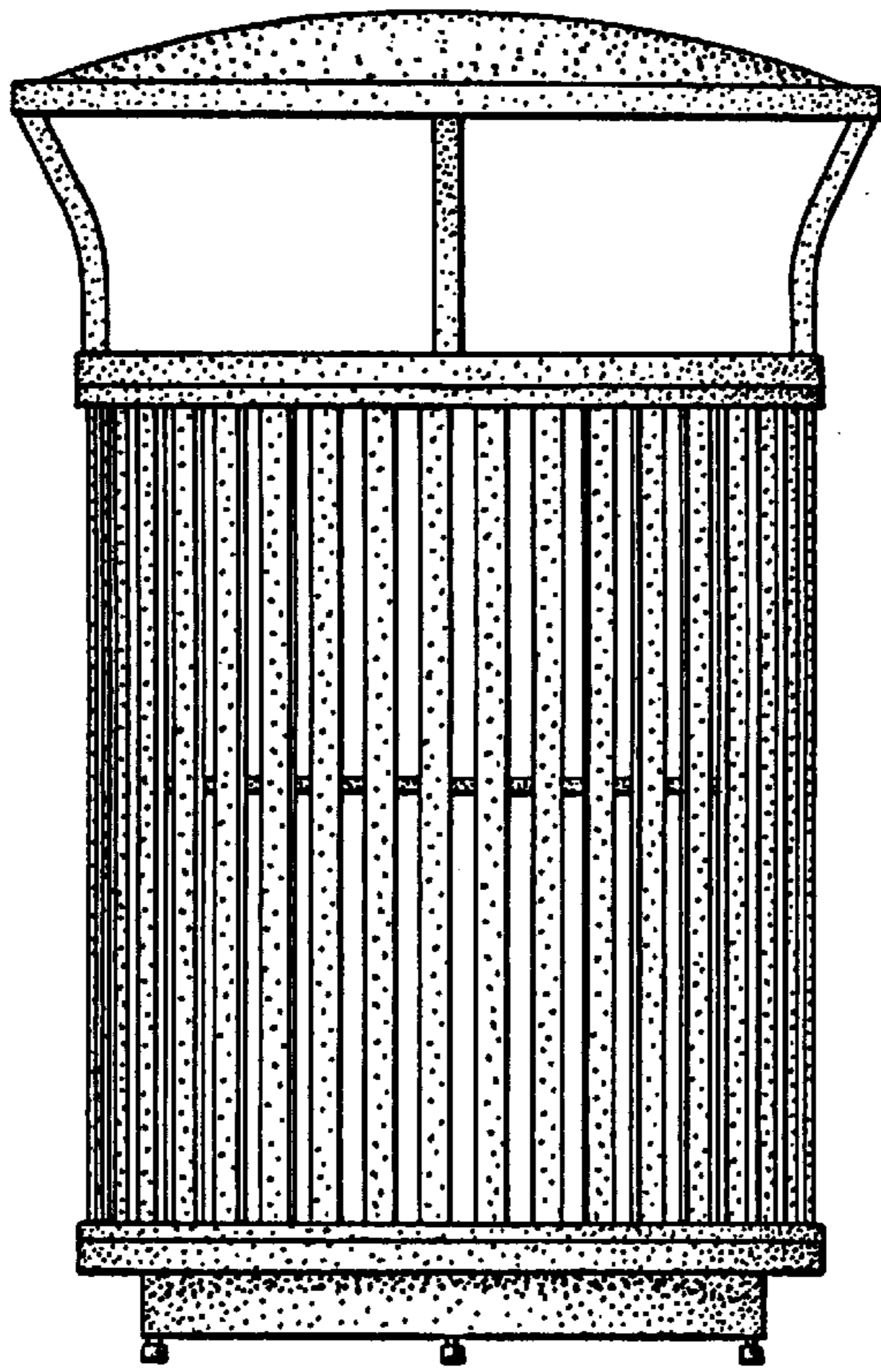


FIG. 4

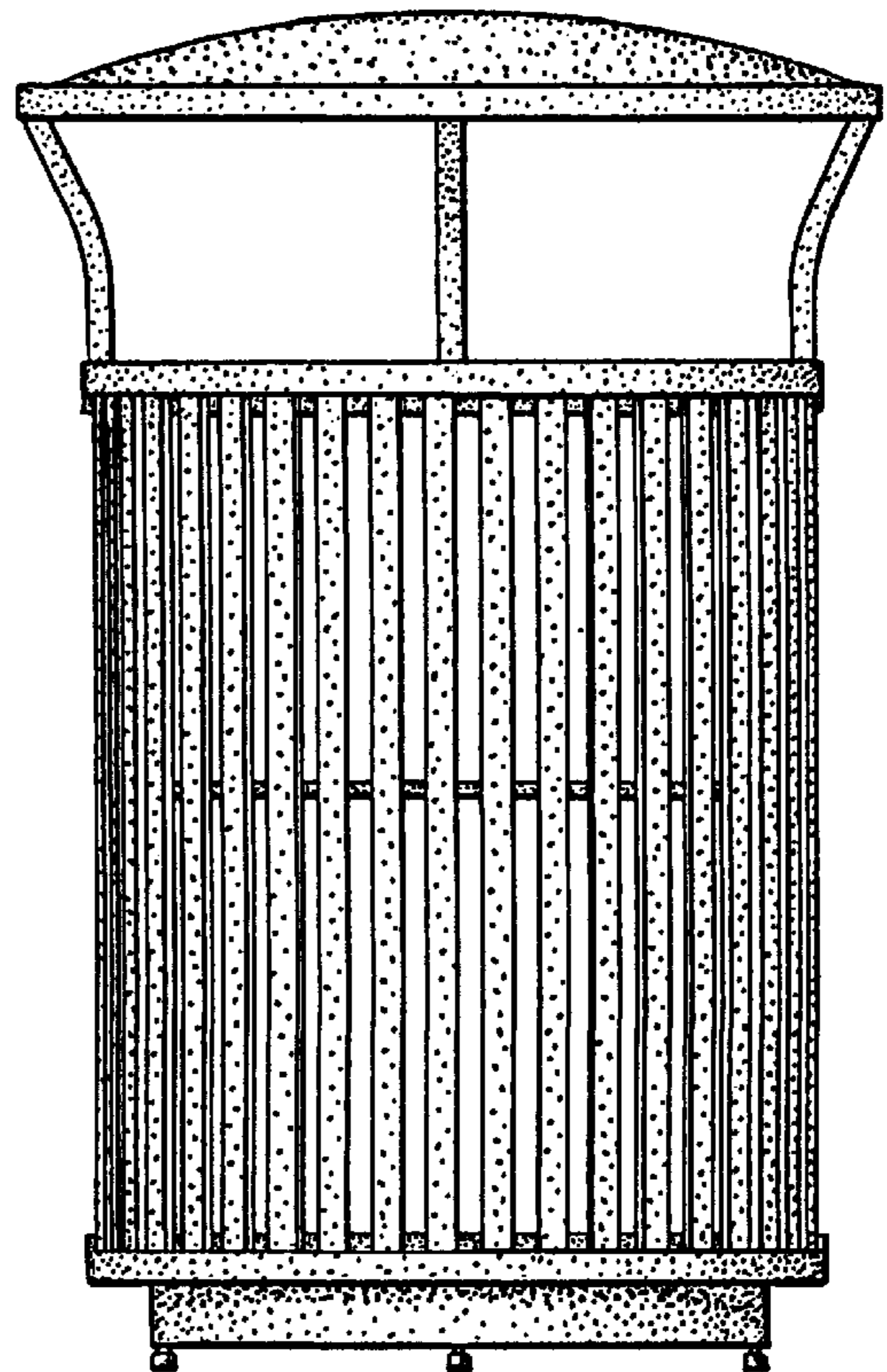


FIG. 5

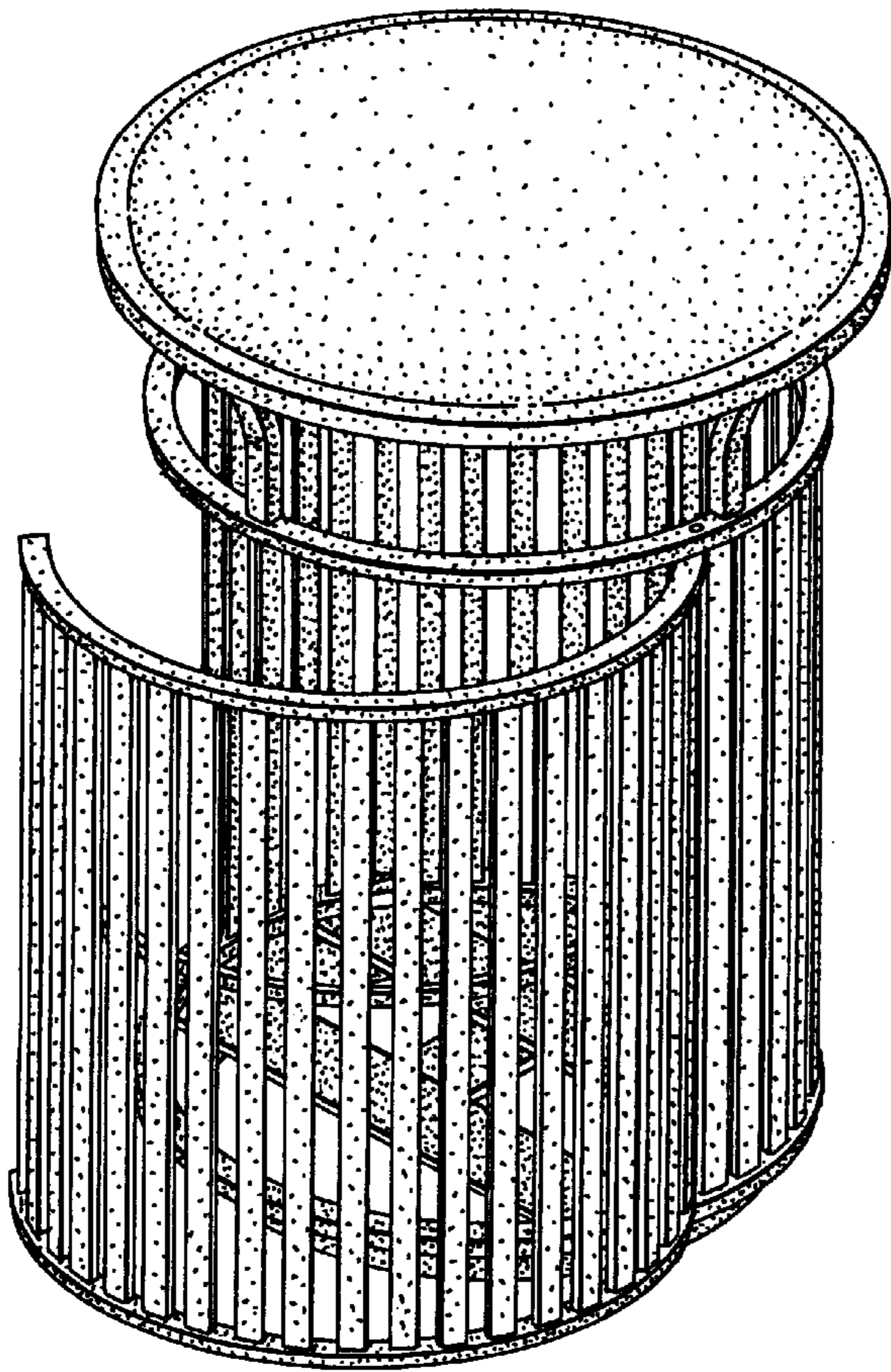


FIG. 8

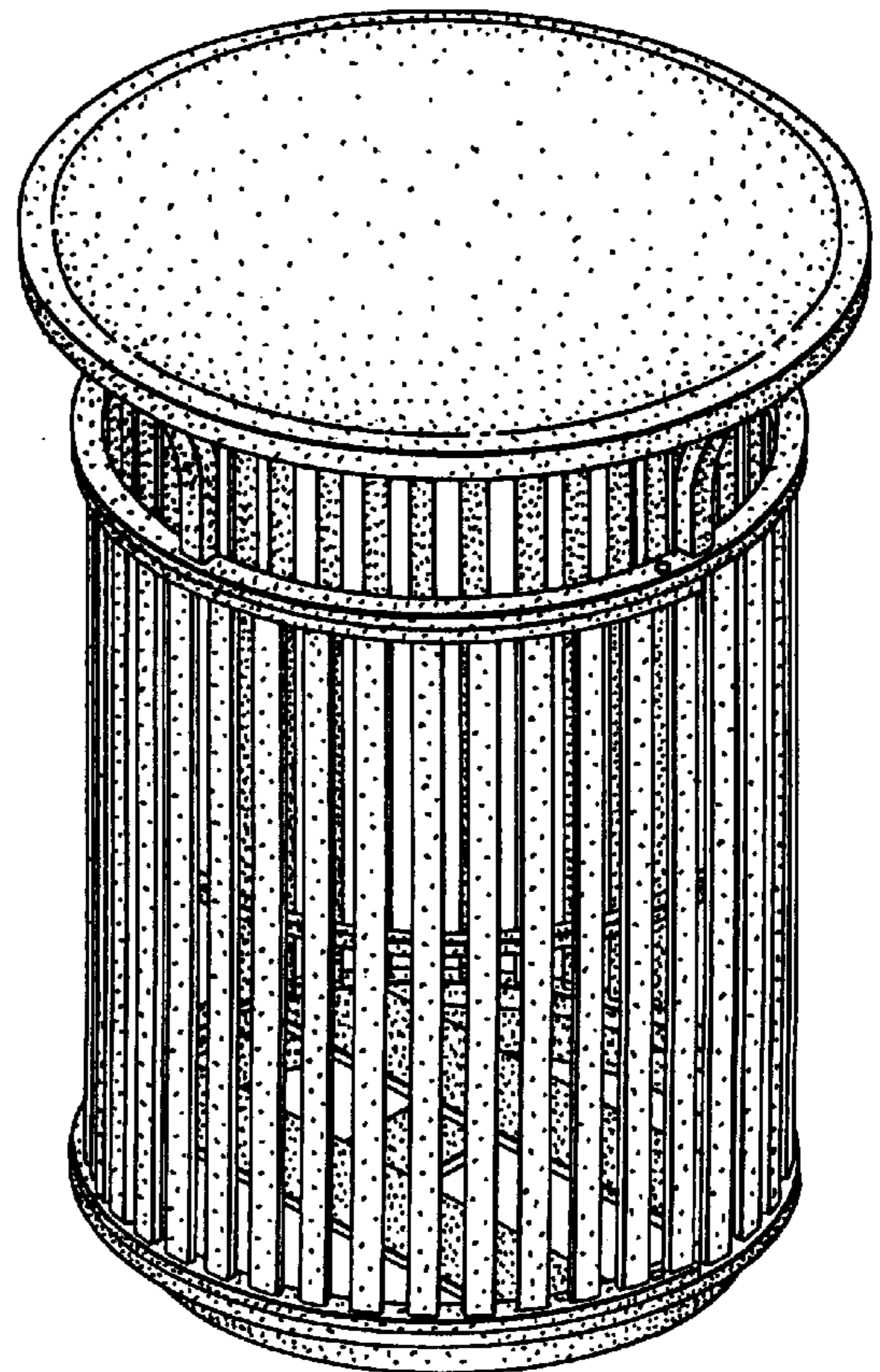


FIG. 9

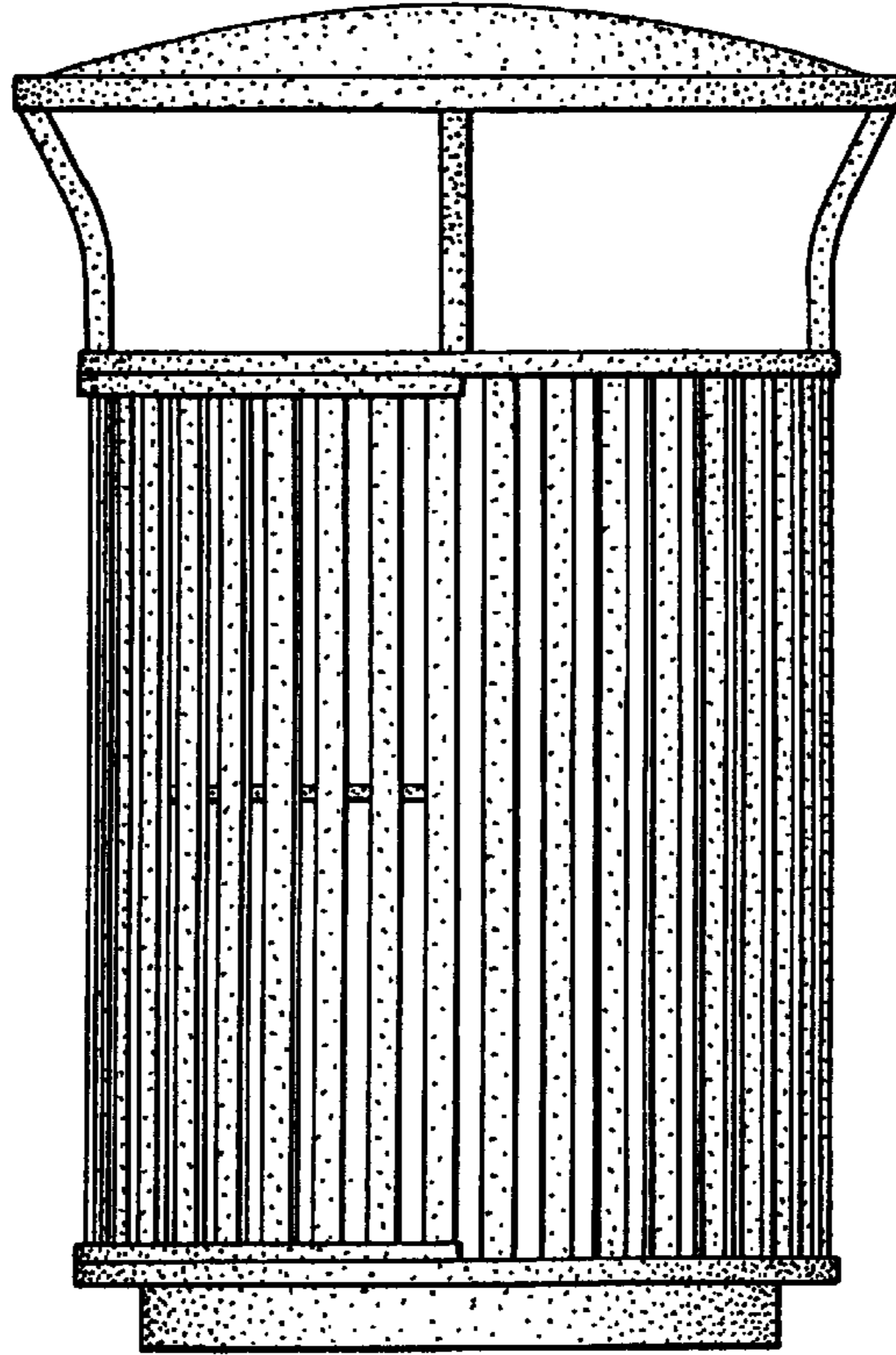


FIG. 10

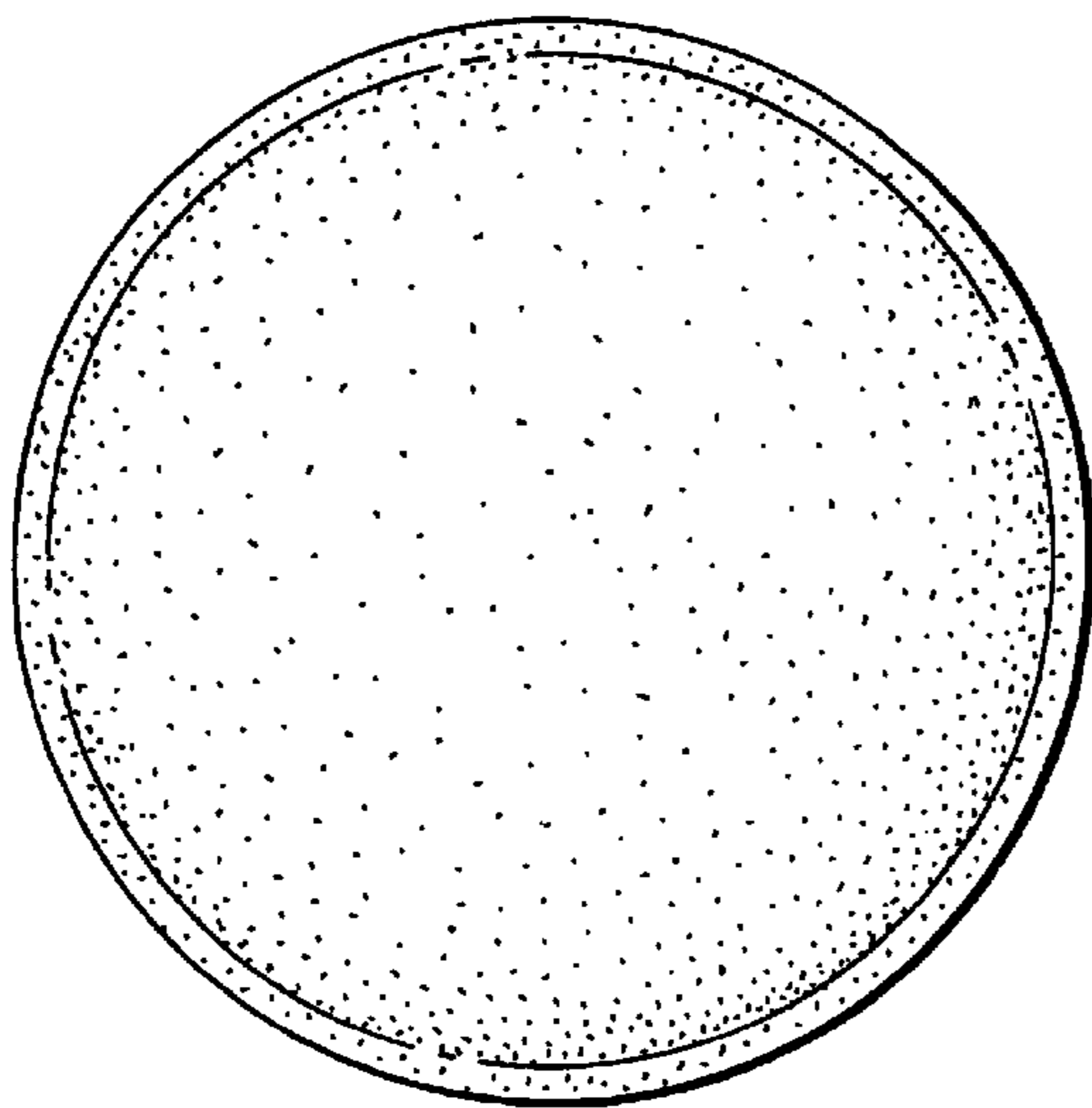


FIG. 13

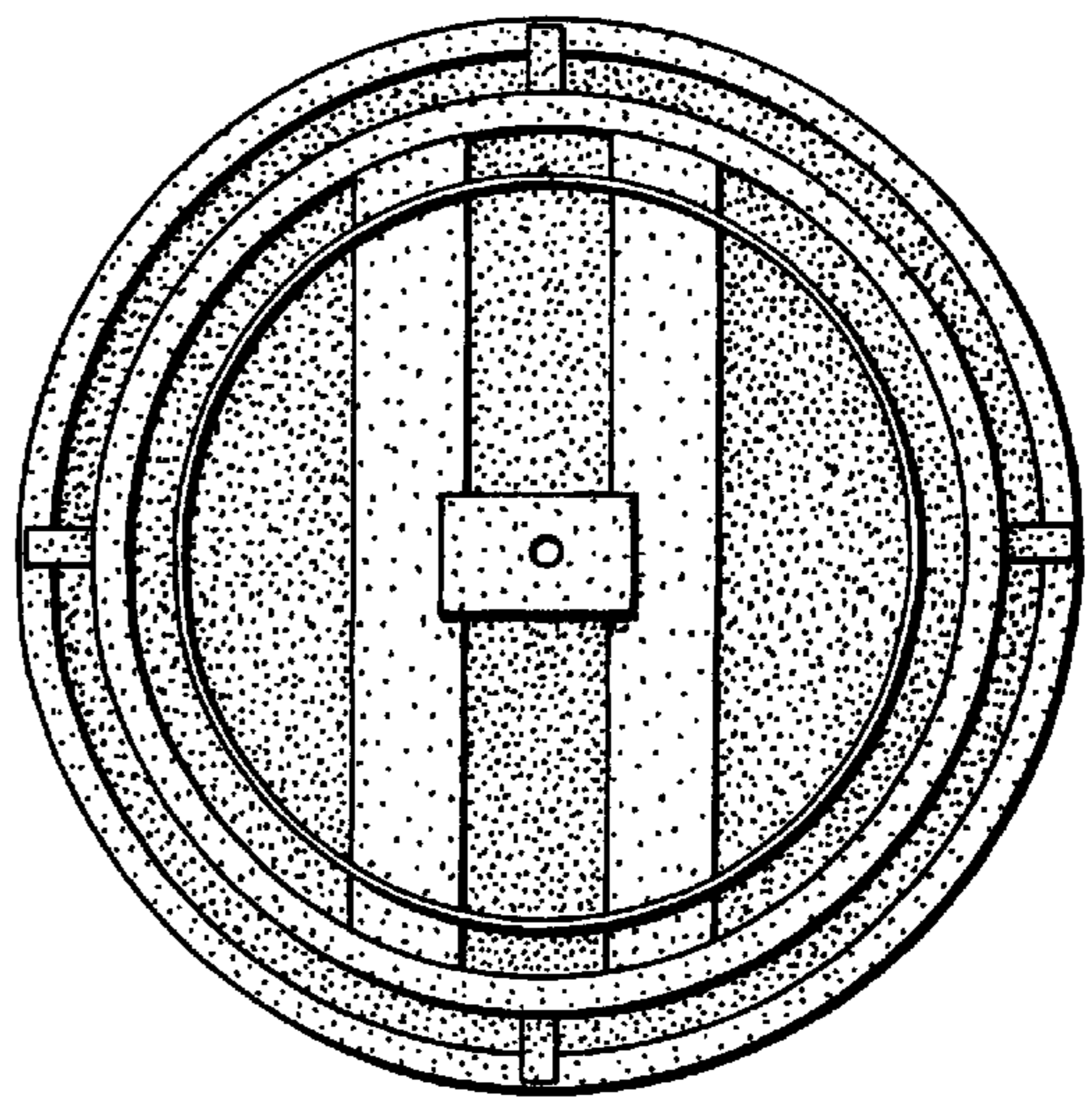


FIG. 14

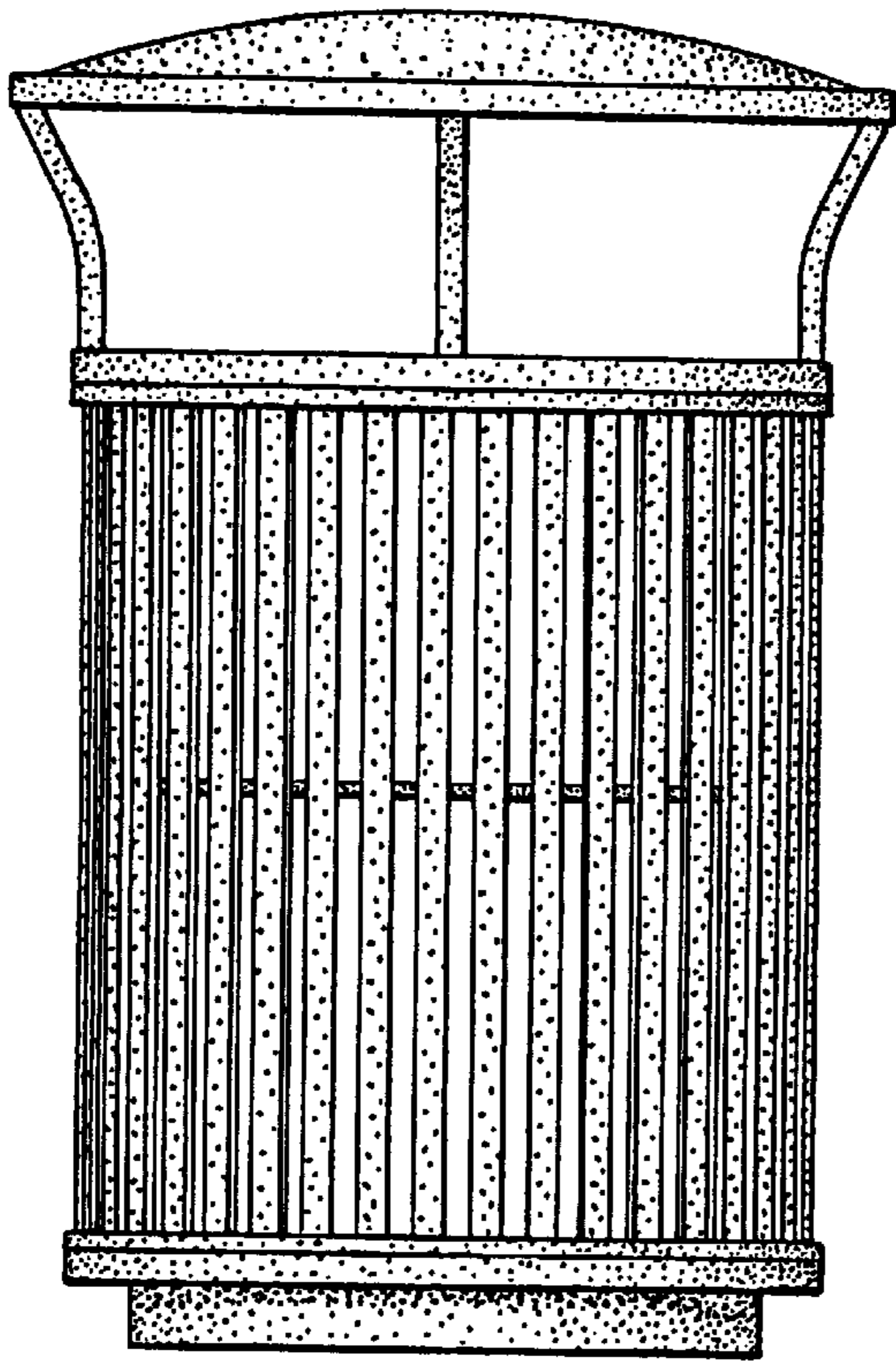


FIG. 11

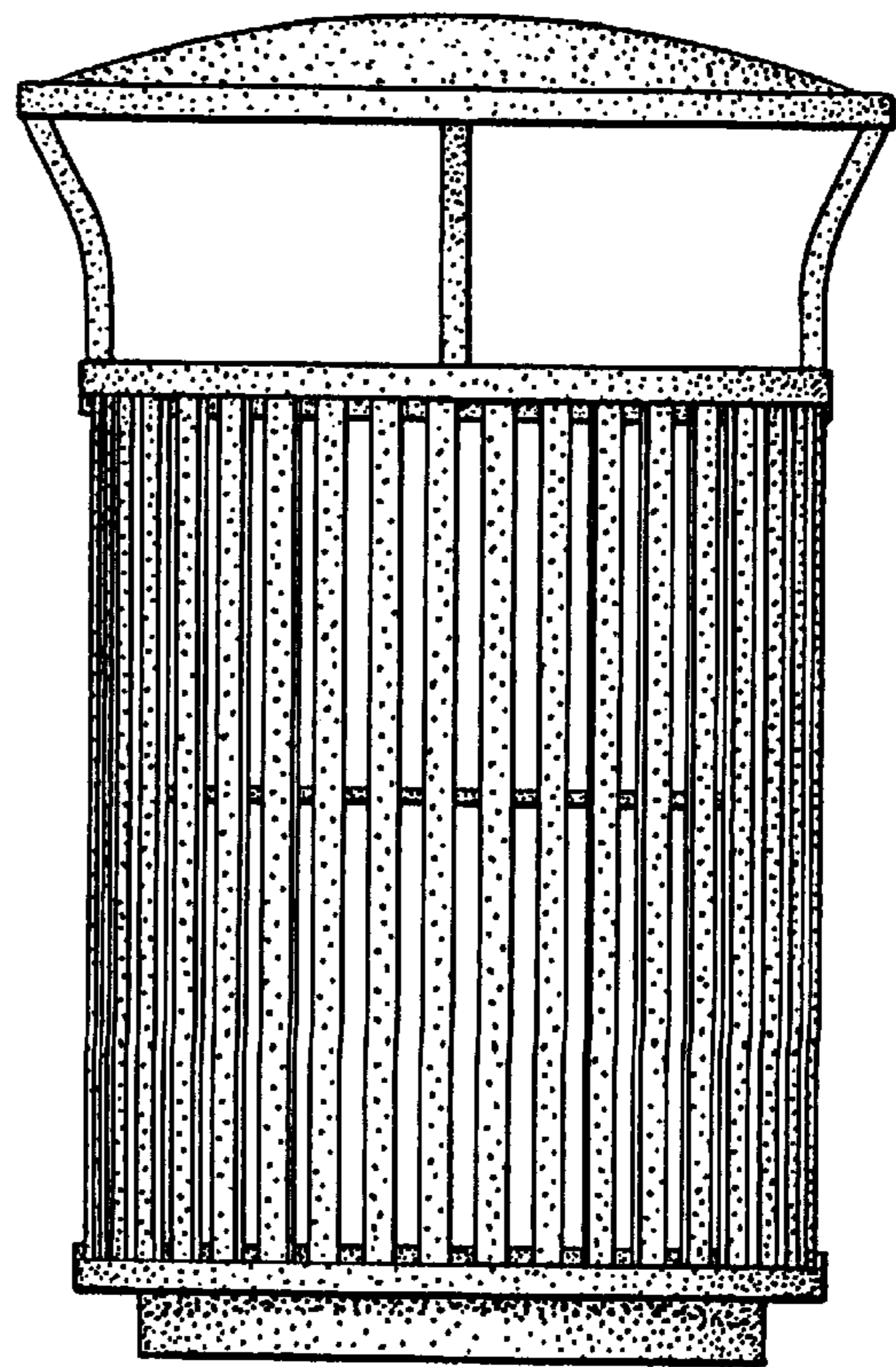


FIG. 12

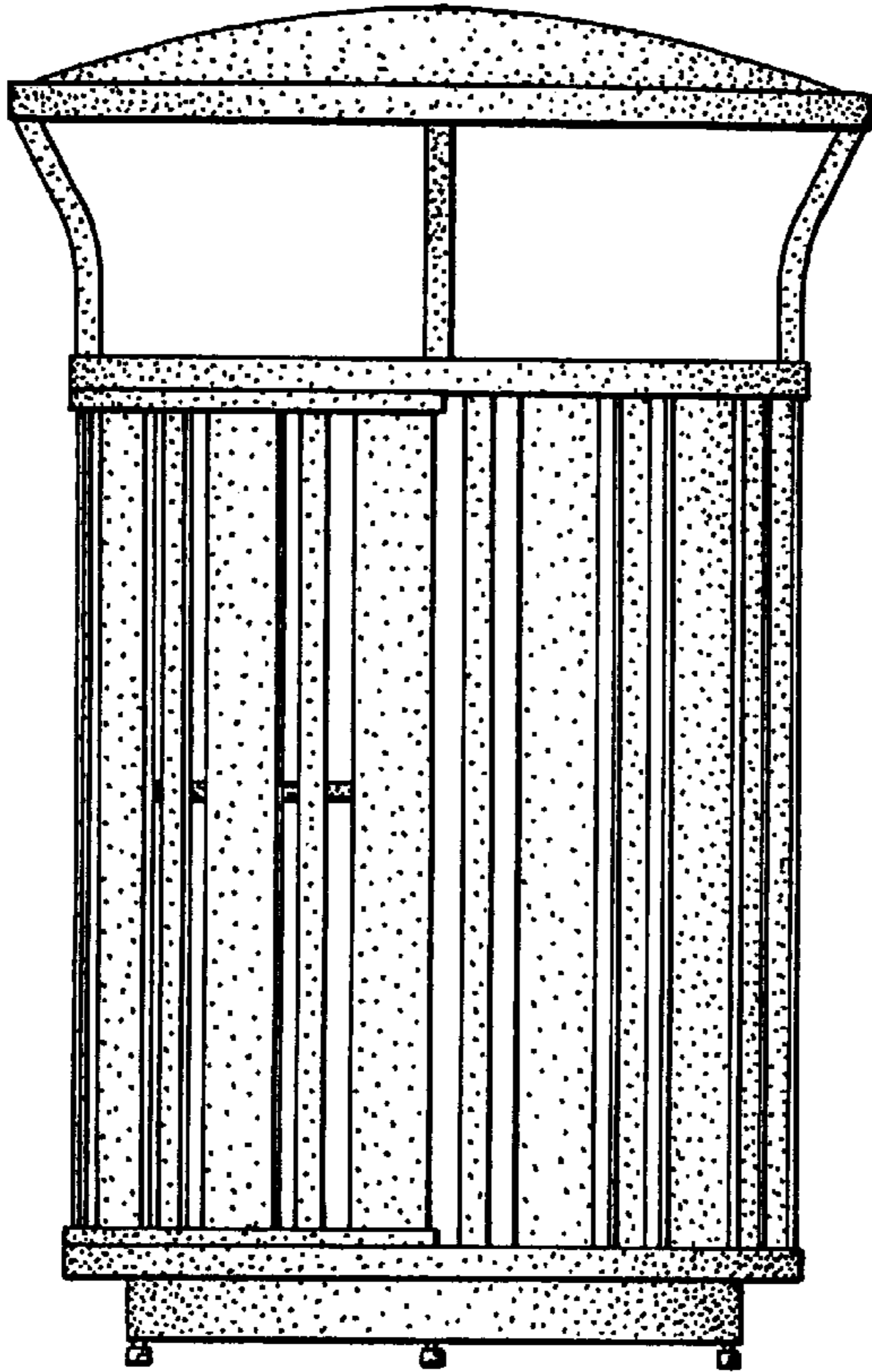


FIG. 15

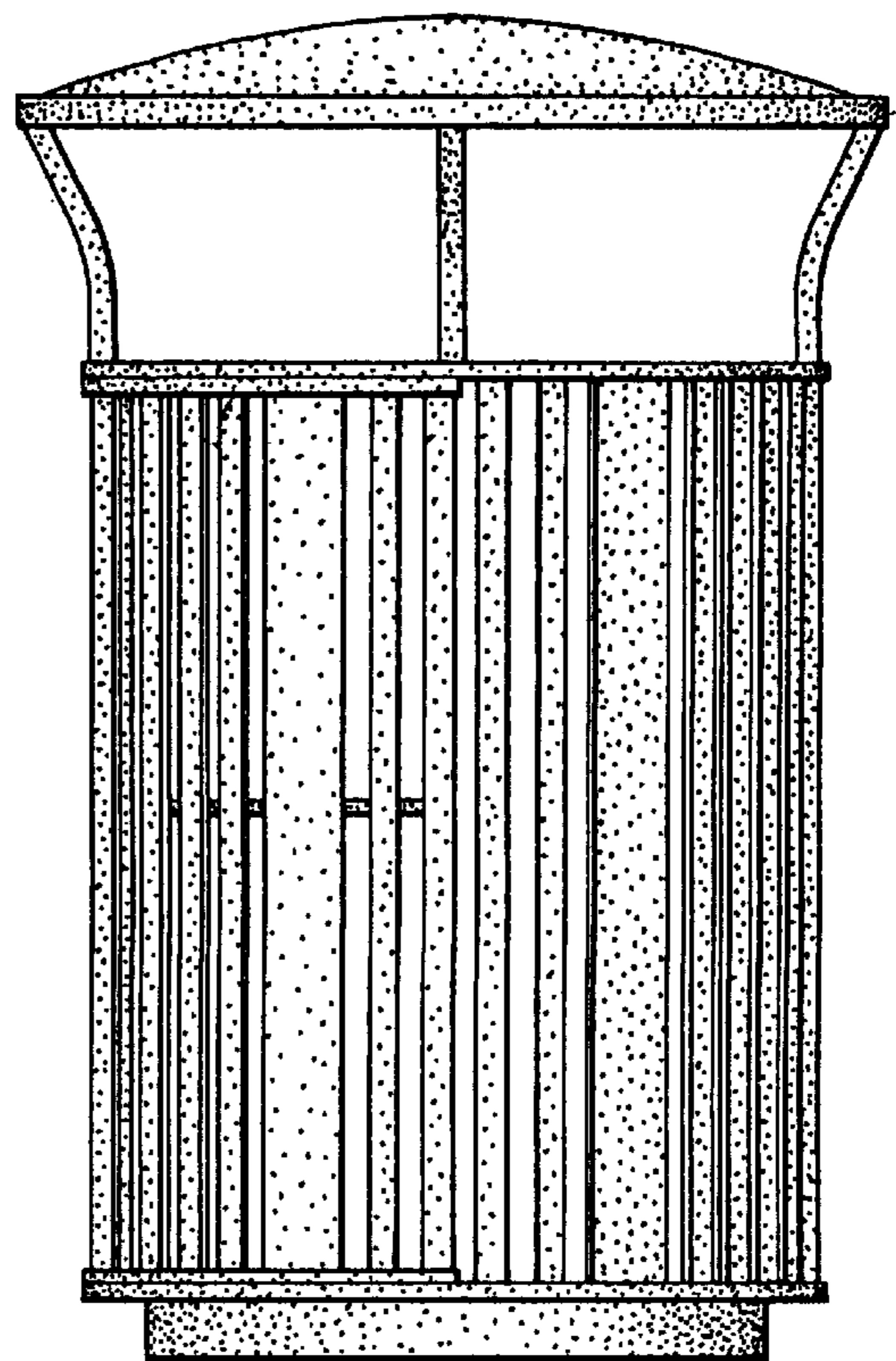


FIG. 16

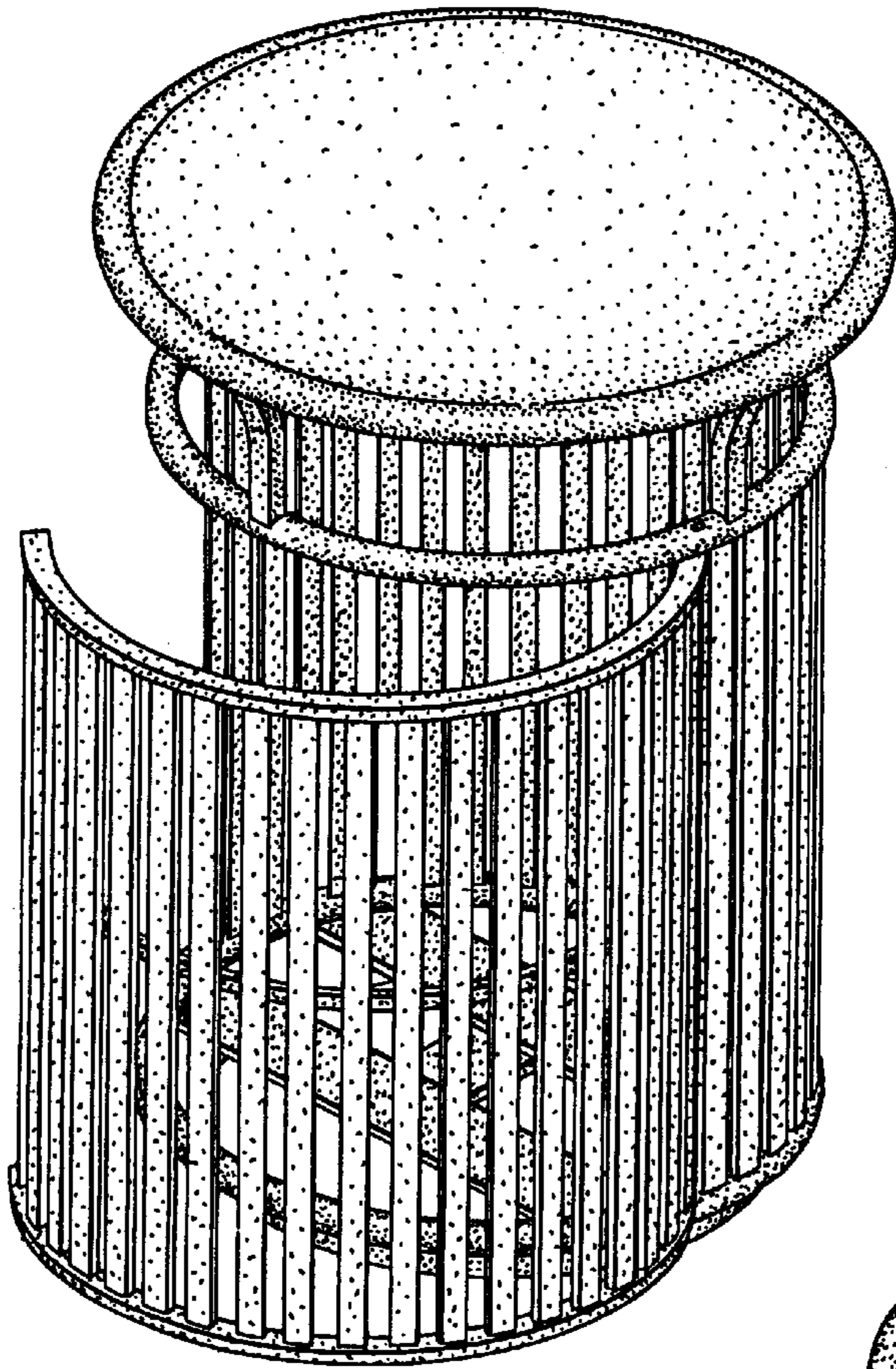


FIG. 17

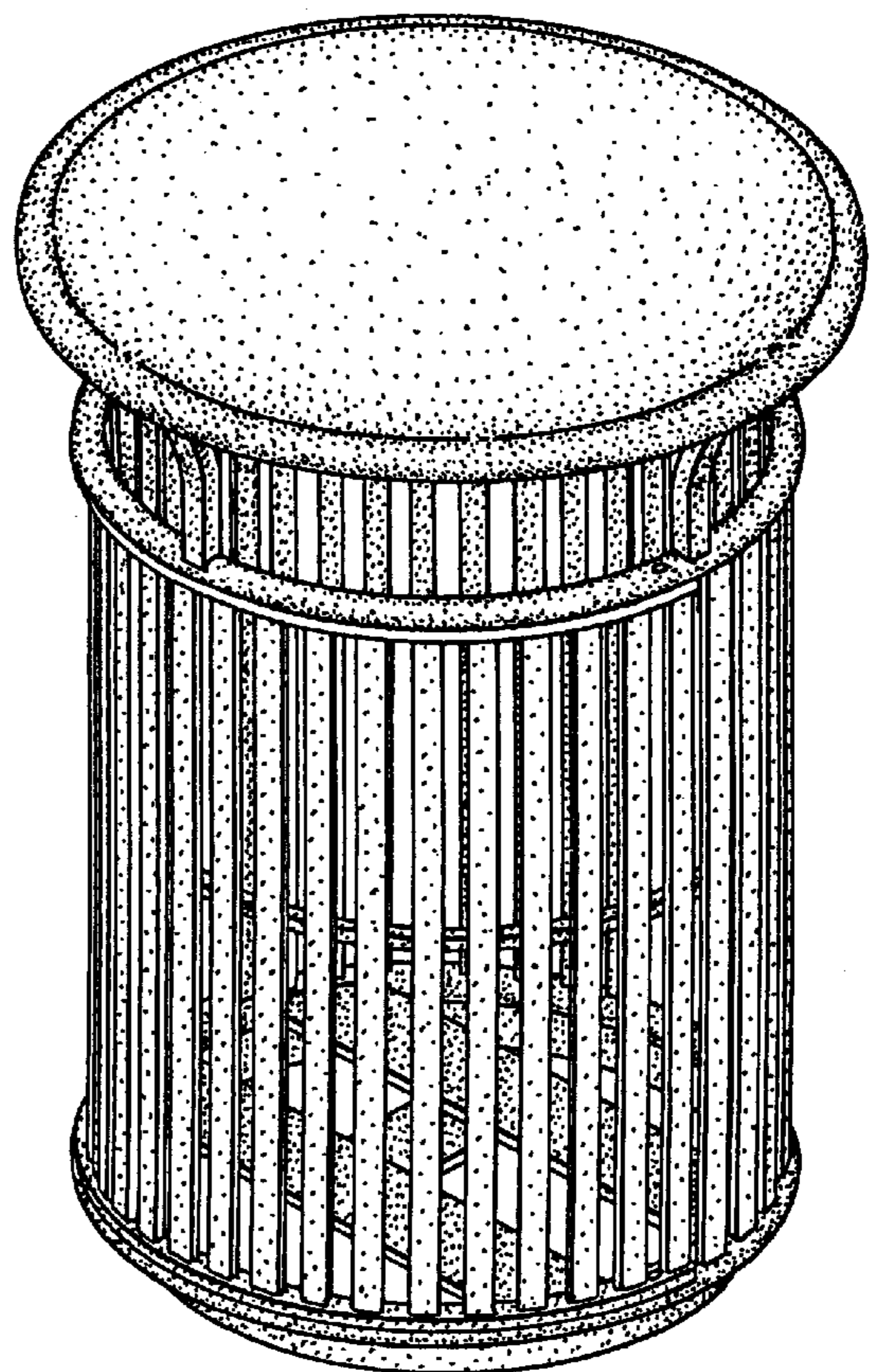


FIG. 18

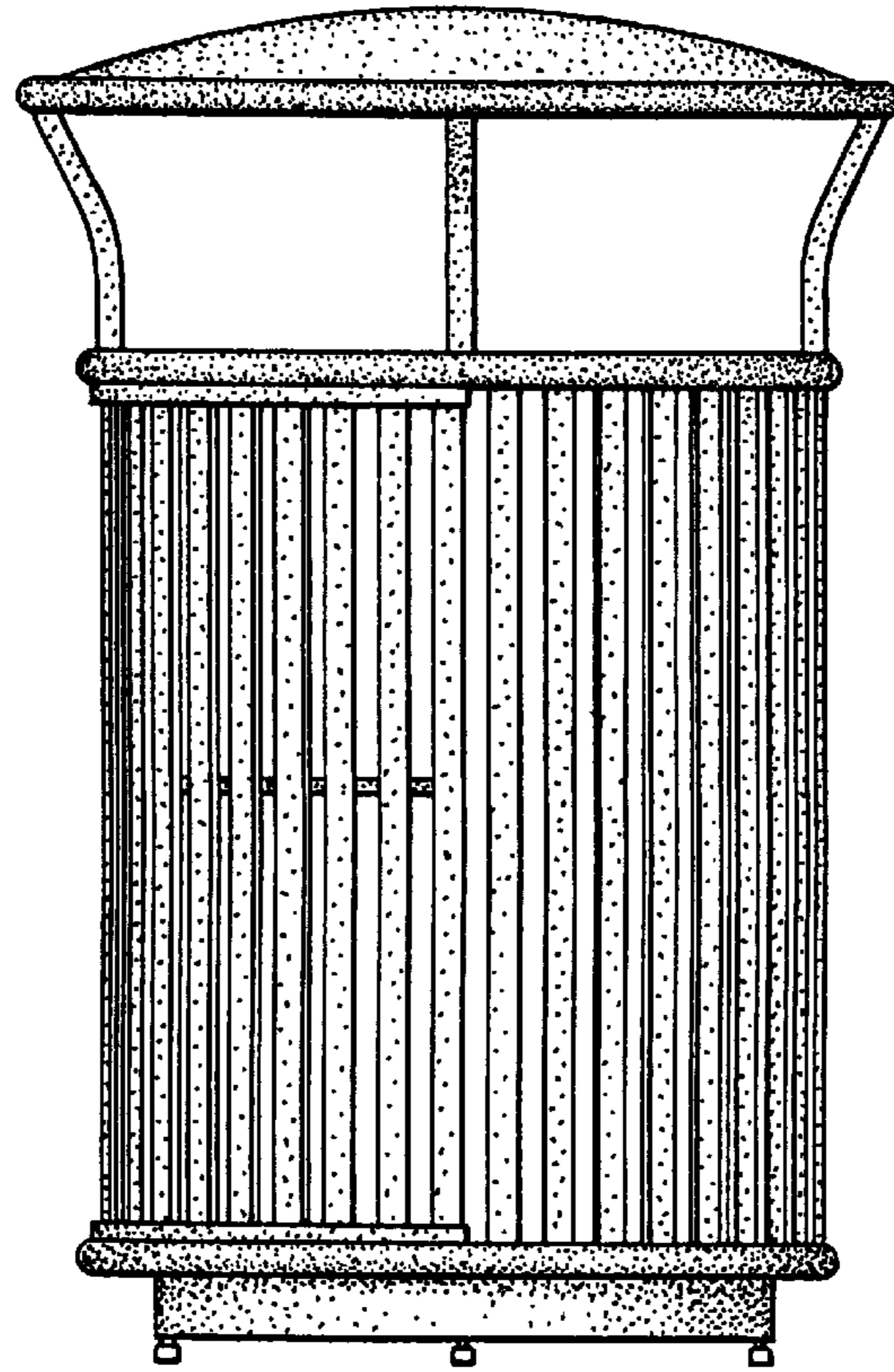


FIG. 19

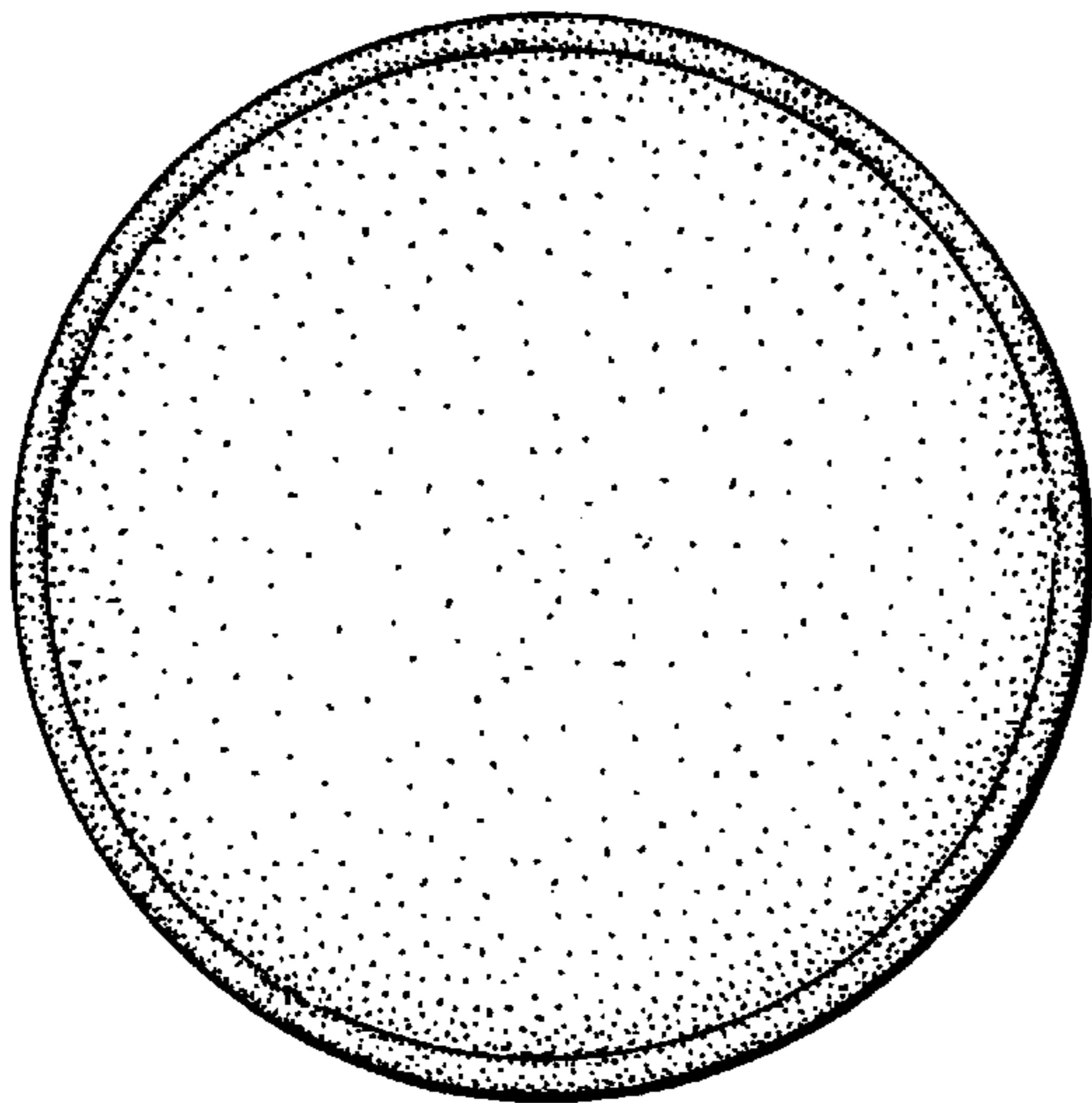


FIG. 22

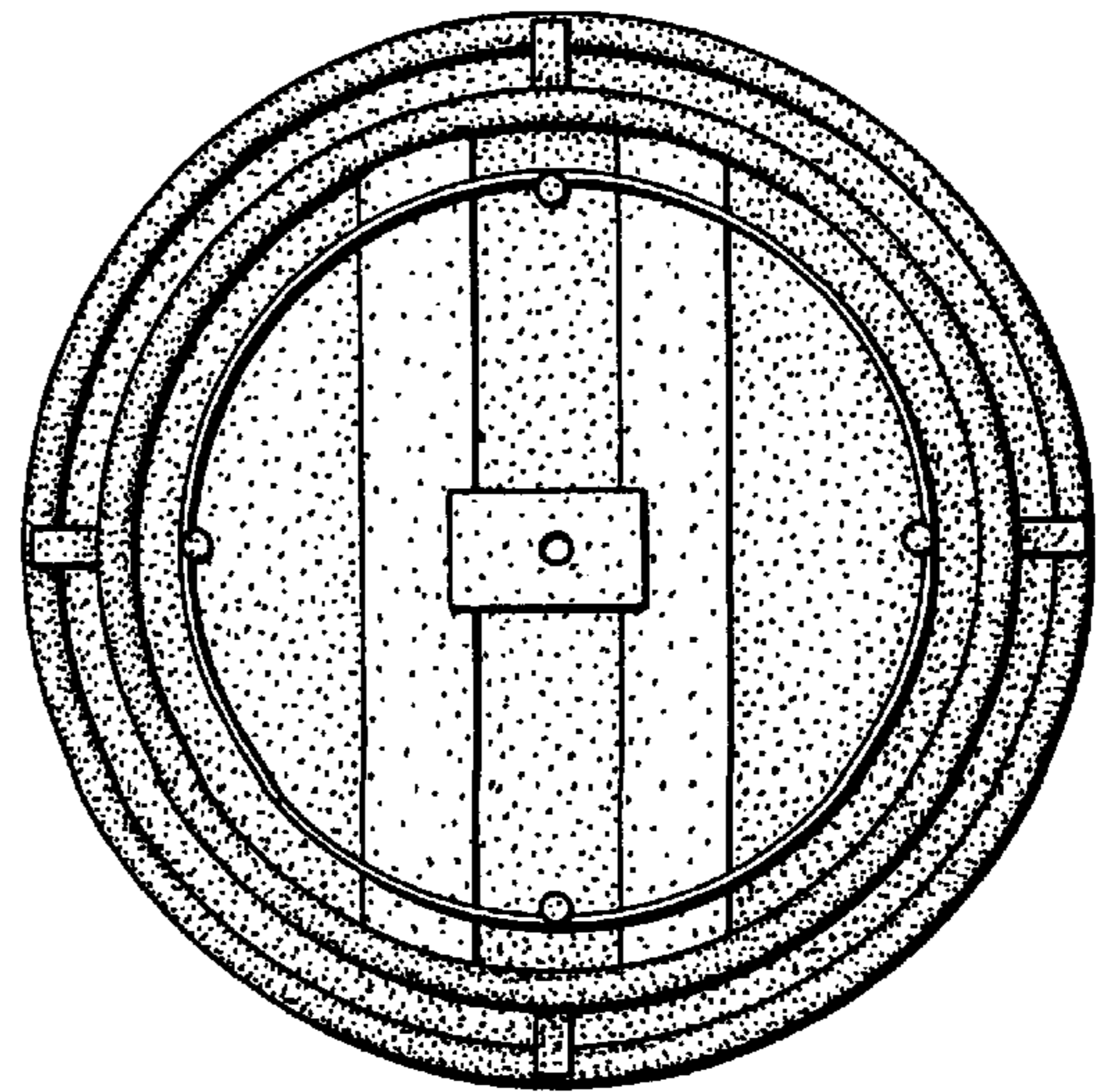


FIG. 23

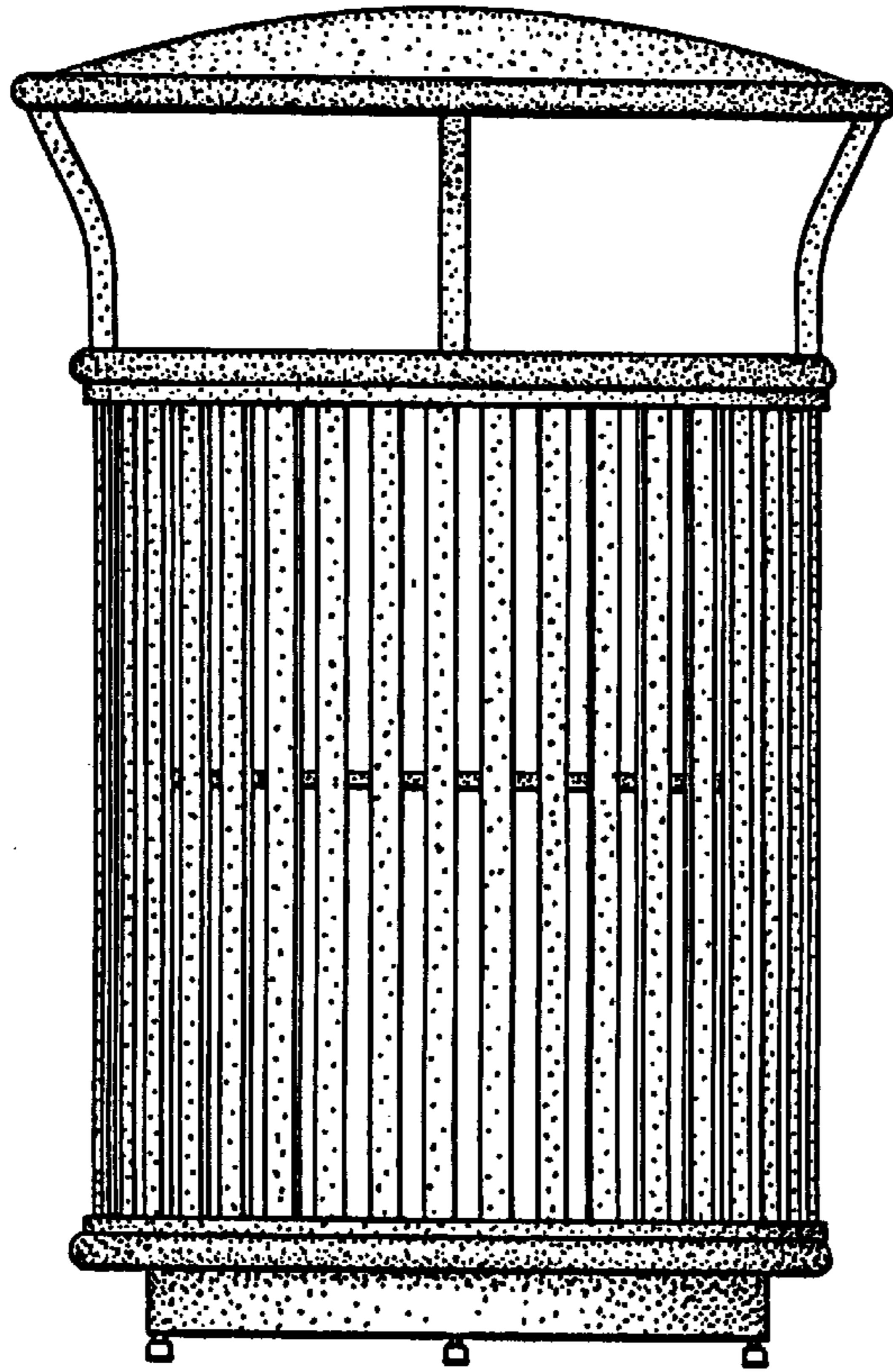


FIG. 20

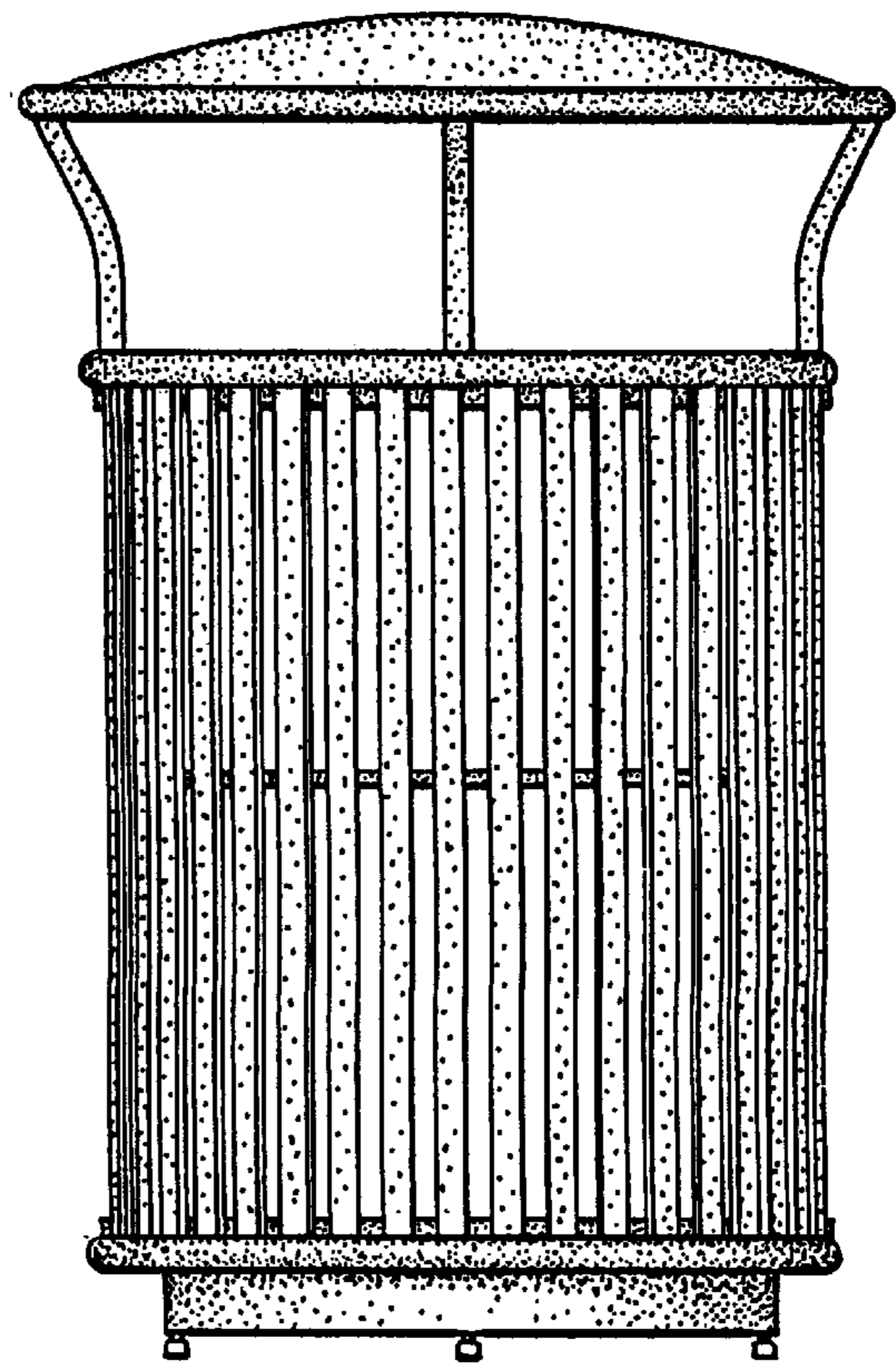


FIG. 21