



US00D441929S

(12) **United States Design Patent**  
**Taylor**

(10) **Patent No.:** **US D441,929 S**

(45) **Date of Patent:** **\*\* May 8, 2001**

(54) **ELECTRIC IRON**

(75) **Inventor:** **Laura Mary Taylor, Eindhoven (NL)**

(73) **Assignee:** **U.S. Philips Corporation, New York, NY (US)**

(\*\*) **Term:** **14 Years**

(21) **Appl. No.:** **29/117,870**

(22) **Filed:** **Feb. 1, 2000**

(30) **Foreign Application Priority Data**

Aug. 9, 1999 (XH) ..... DMA/004 604

(51) **LOC (7) Cl.** ..... **07-05**

(52) **U.S. Cl.** ..... **D32/70**

(58) **Field of Search** ..... D32/69, 70, 68;  
38/77.1, 77.2-77.5, 74, 69, 79, 77.7, 77.8,  
88; 219/245, 254, 249

(56) **References Cited**

**U.S. PATENT DOCUMENTS**

D. 388,920 \* 1/1998 Nitsch ..... D32/70

D. 406,933 \* 3/1999 Leverrier ..... D32/70

D. 415,865 \* 10/1999 Littmann et al. .... D32/70

D. 416,656 \* 11/1999 Sadler ..... D32/70

D. 418,648 \* 1/2000 Gudefin ..... D32/70

D. 419,274 \* 1/2000 Choi ..... D32/70

\* cited by examiner

*Primary Examiner*—Cynthia E Ramirez

(74) *Attorney, Agent, or Firm*—Ernestine C. Bartlett

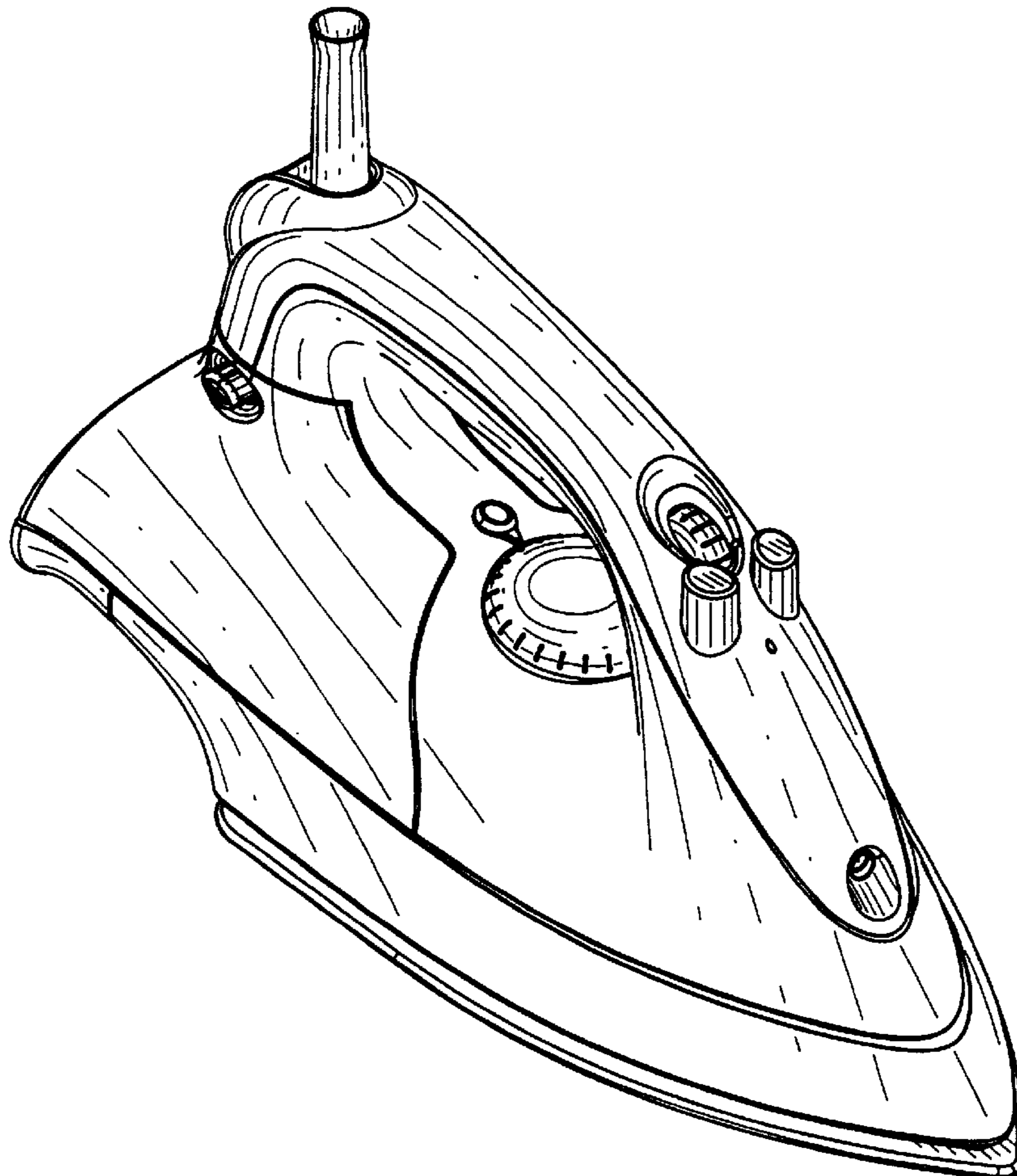
(57) **CLAIM**

The ornamental design for an electric iron, as shown.

**DESCRIPTION**

FIG. 1 is a perspective view showing my design;  
FIG. 2 is a front elevational view thereof;  
FIG. 3 is a rear elevational view thereof;  
FIG. 4 is a right side elevational view thereof;  
FIG. 5 is a left side elevational view thereof;  
FIG. 6 is a top plan view thereof; and,  
FIG. 7 is a bottom plan view thereof.

**1 Claim, 5 Drawing Sheets**



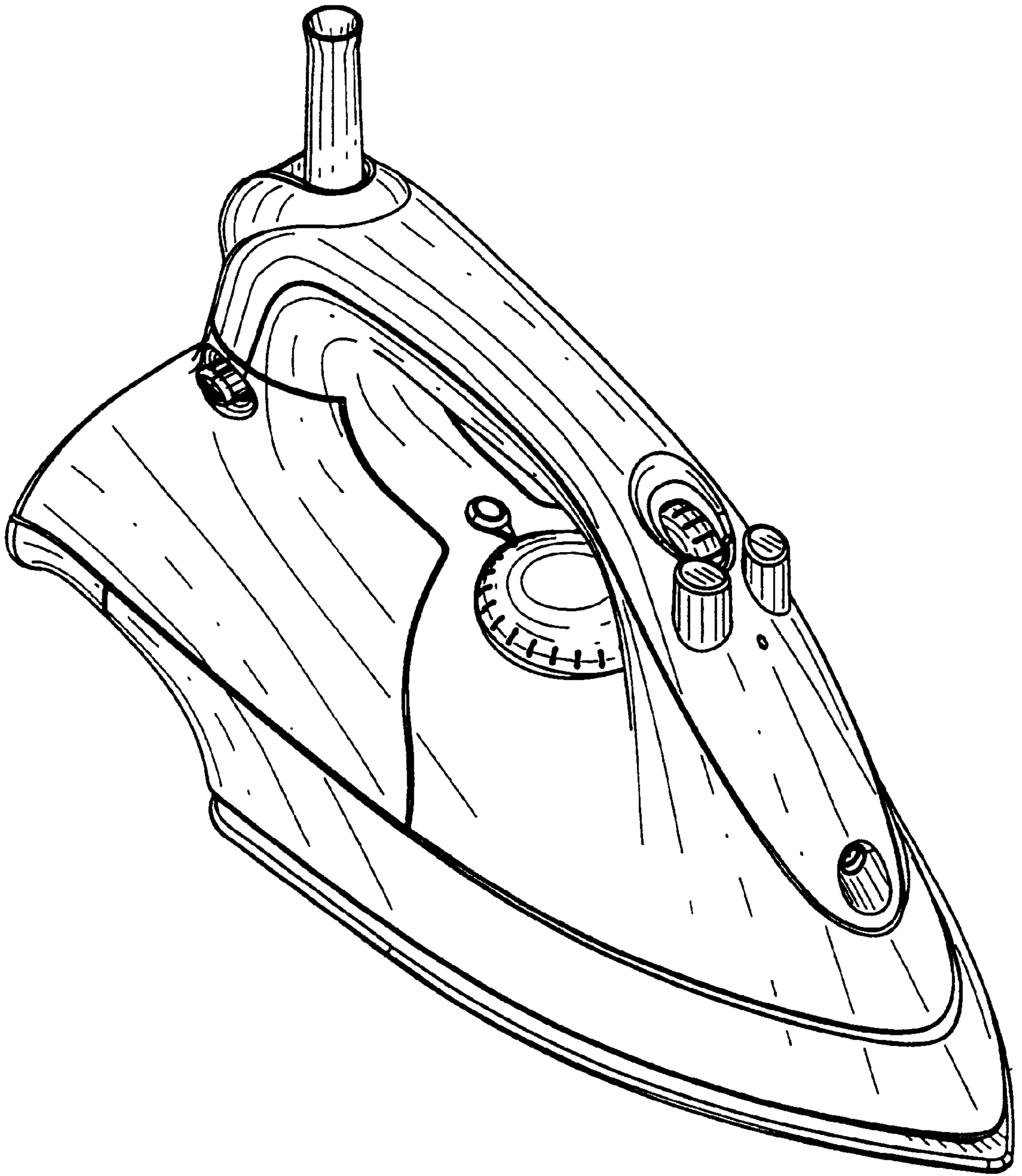


FIG. 1

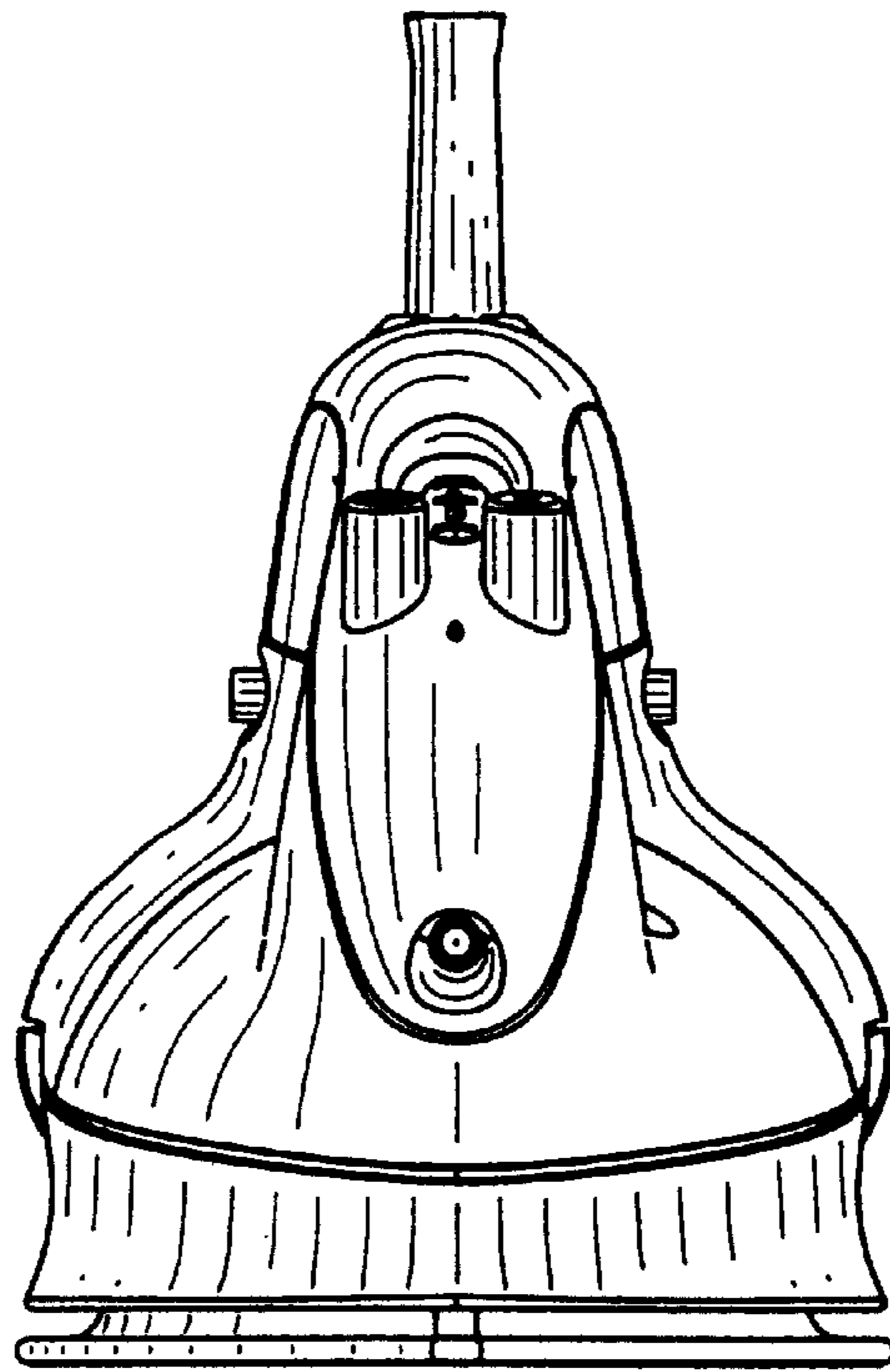


FIG. 2

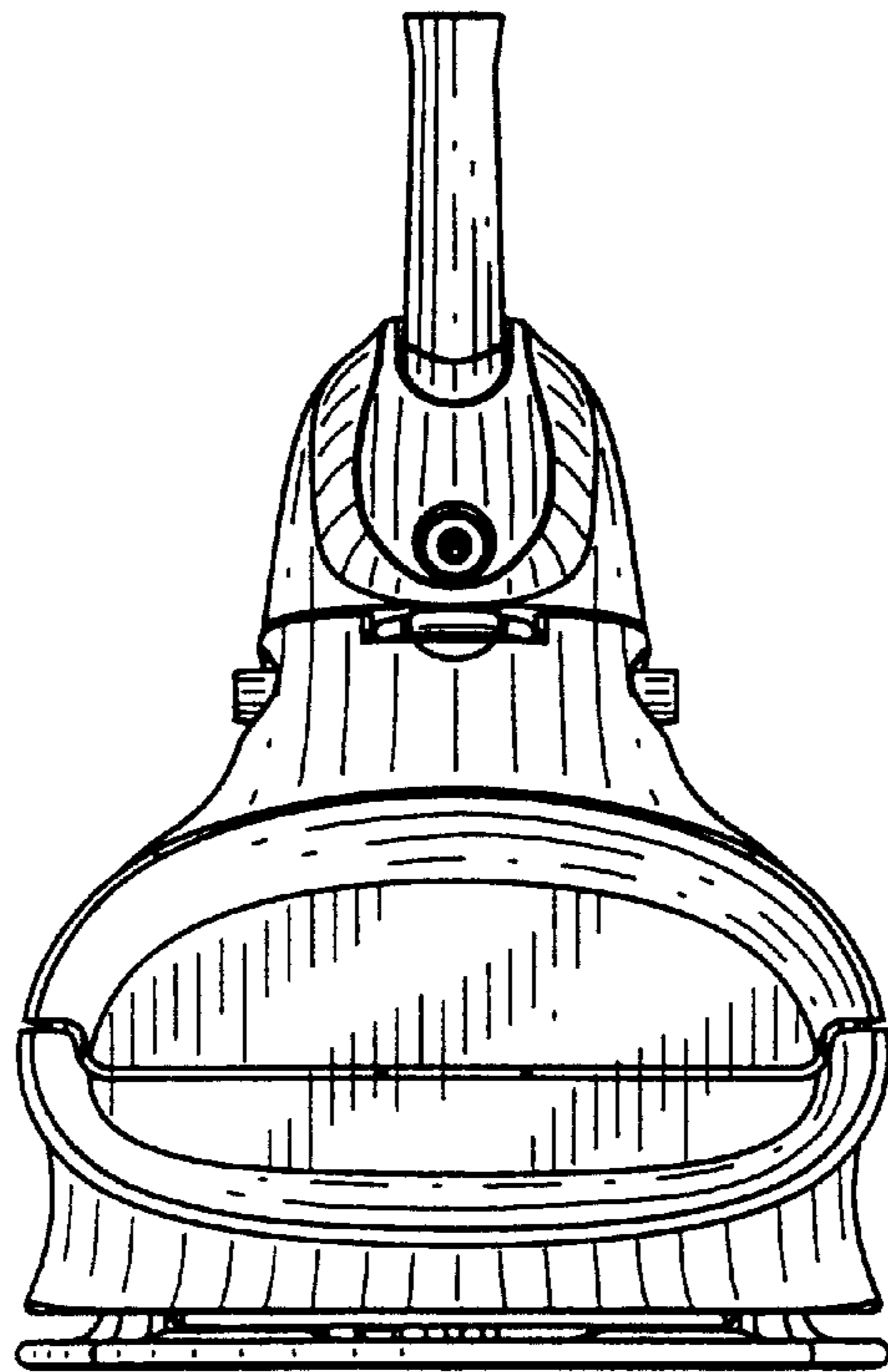


FIG. 3

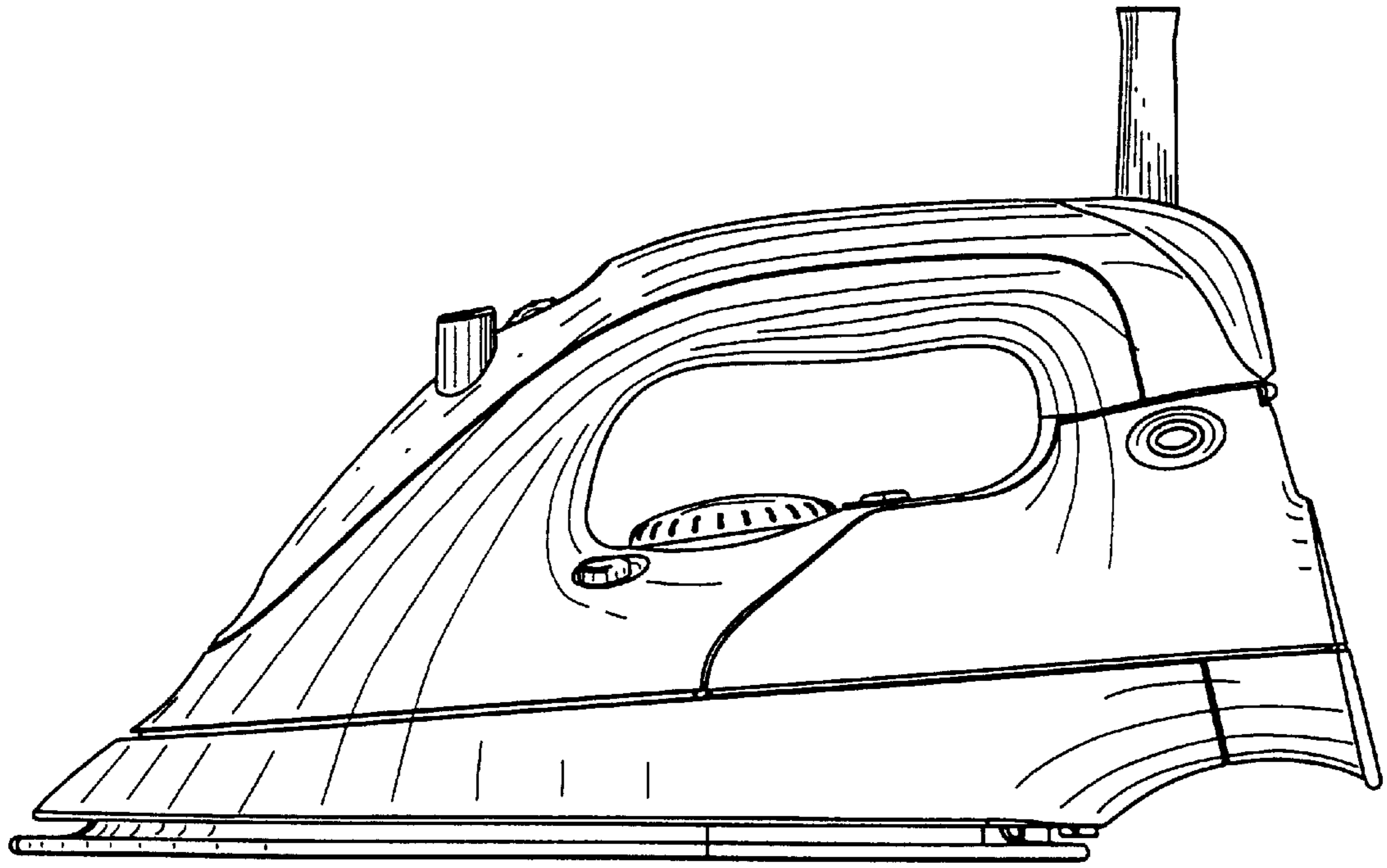


FIG. 4

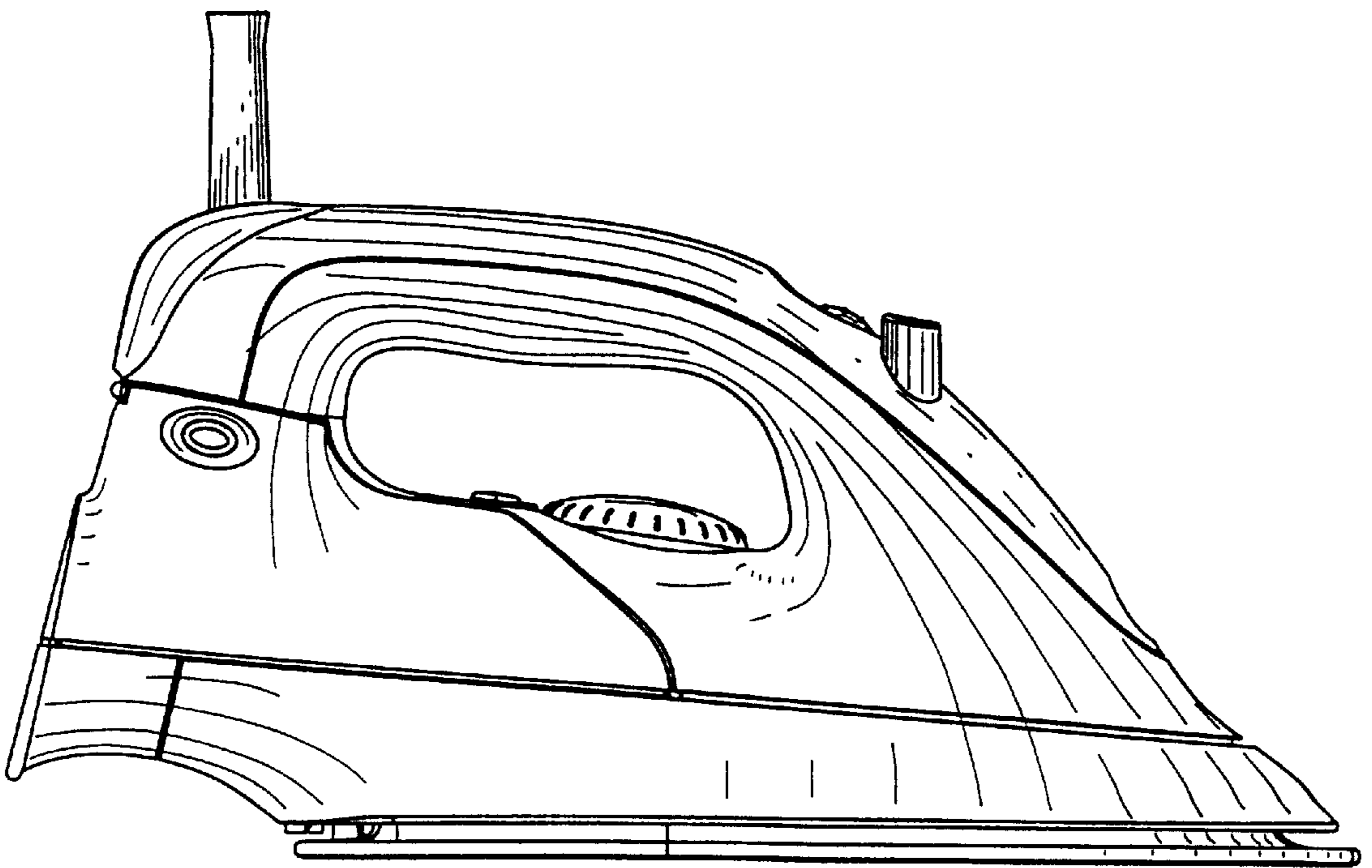


FIG. 5

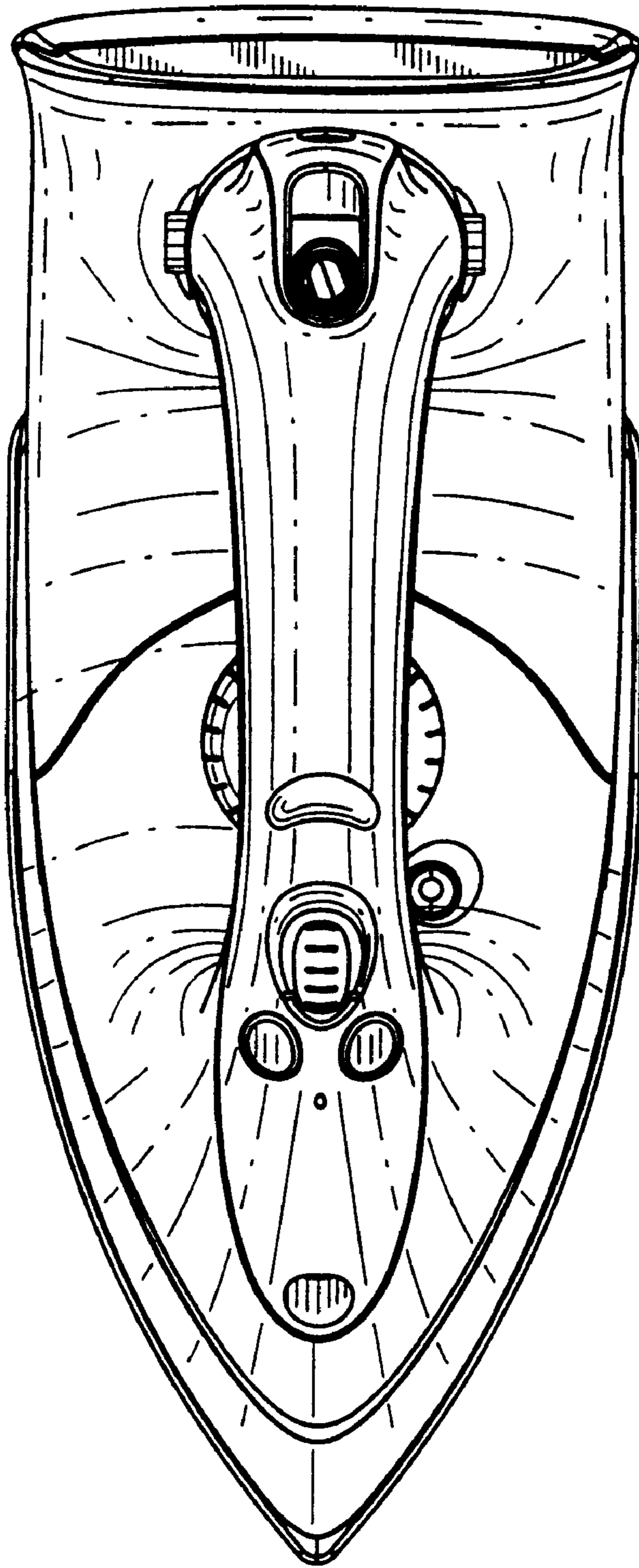


FIG. 6

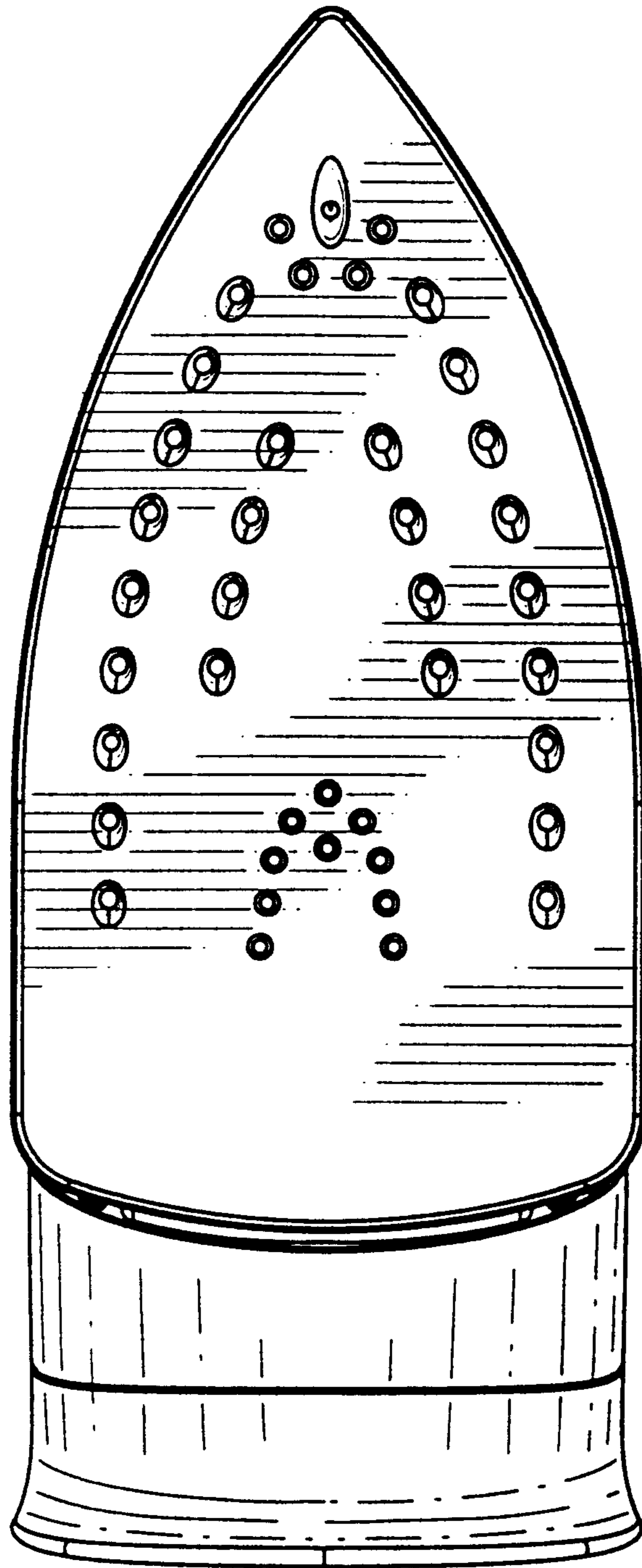


FIG.7