



US00D441923S

(12) **United States Design Patent** (10) **Patent No.:** **US D441,923 S**
García-Lucio et al. (45) **Date of Patent:** **** May 8, 2001**

(54) **HUMMINGBIRD FEEDER RESERVOIR**

Primary Examiner—Lisa Lichtenstein
(74) *Attorney, Agent, or Firm*—Sheridan Ross P.C.

(75) Inventors: **Alfredo García-Lucio; Jim B. McKeever**, both of Denver, CO (US)

(57) **CLAIM**

(73) Assignee: **Parasol LLC**, Denver, CO (US)

The ornamental design for a hummingbird feeder reservoir, as shown and described.

(**) Term: **14 Years**

DESCRIPTION

(21) Appl. No.: **29/122,609**

FIG. 1 is a top front perspective view of a hummingbird feeder reservoir showing our new design, the broken lines in the drawings representing environment which forms no part of the claimed design.

(22) Filed: **Apr. 28, 2000**

(51) **LOC (7) Cl.** **30-03**

(52) **U.S. Cl.** **D30/124**

(58) **Field of Search** D30/124, 110, D30/111, 123, 126, 128, 133; 119/57.8, 57.9, 27; 47/47, 44

FIG. 2 is a left side elevational view of the hummingbird feeder reservoir illustrated in FIG. 1.

FIG. 3 is a top plan view of the hummingbird feeder reservoir illustrated in FIG. 1.

(56) **References Cited**

PUBLICATIONS

- Perky Pet Brand 1999 Catalog, p. 19.
- Par a Sol Catalog Dew Drop Small and Dew Drop Large.
- Opus 1998–1999 p. 16.
- Droll Yankees Bird Feeders, p. 16.
- The Backyard Airshow Catalog, Briggs Associates, Inc. Leaflet.
- The Birding Company, 1998 Wholesale Catalog 1998, pp. 21 and 28.

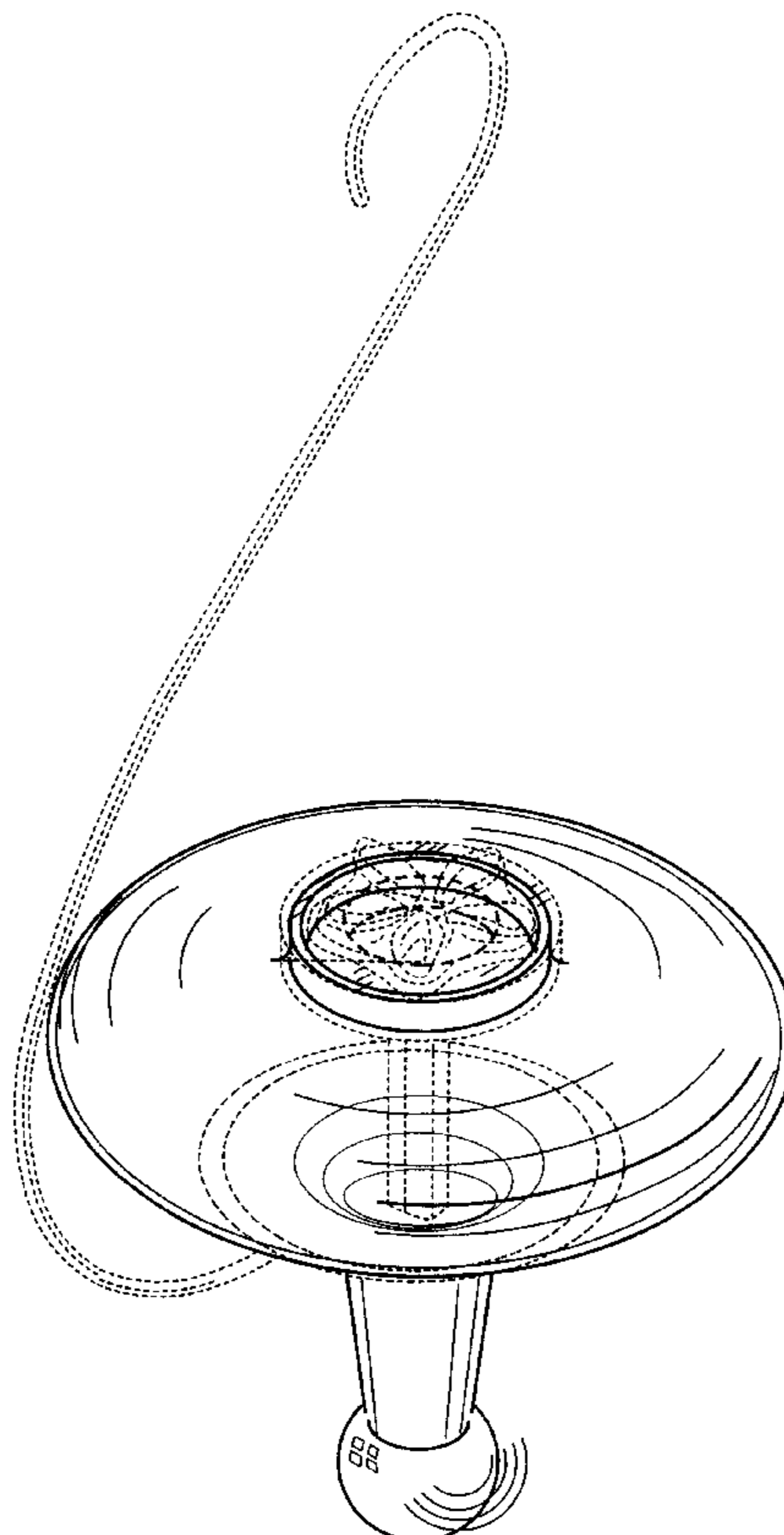
FIG. 4 is a right side elevational view of the hummingbird feeder reservoir illustrated in FIG. 1.

FIG. 5 is a bottom plan view of the hummingbird feeder reservoir illustrated in FIG. 1.

FIG. 6 is a left side elevational view on a reduced scale of the humming bird feeder reservoir illustrated in FIG. 1; and,

FIG. 7 is a top front perspective view on a reduced scale of the humming bird feeder reservoir illustrated in FIG. 1.

1 Claim, 2 Drawing Sheets



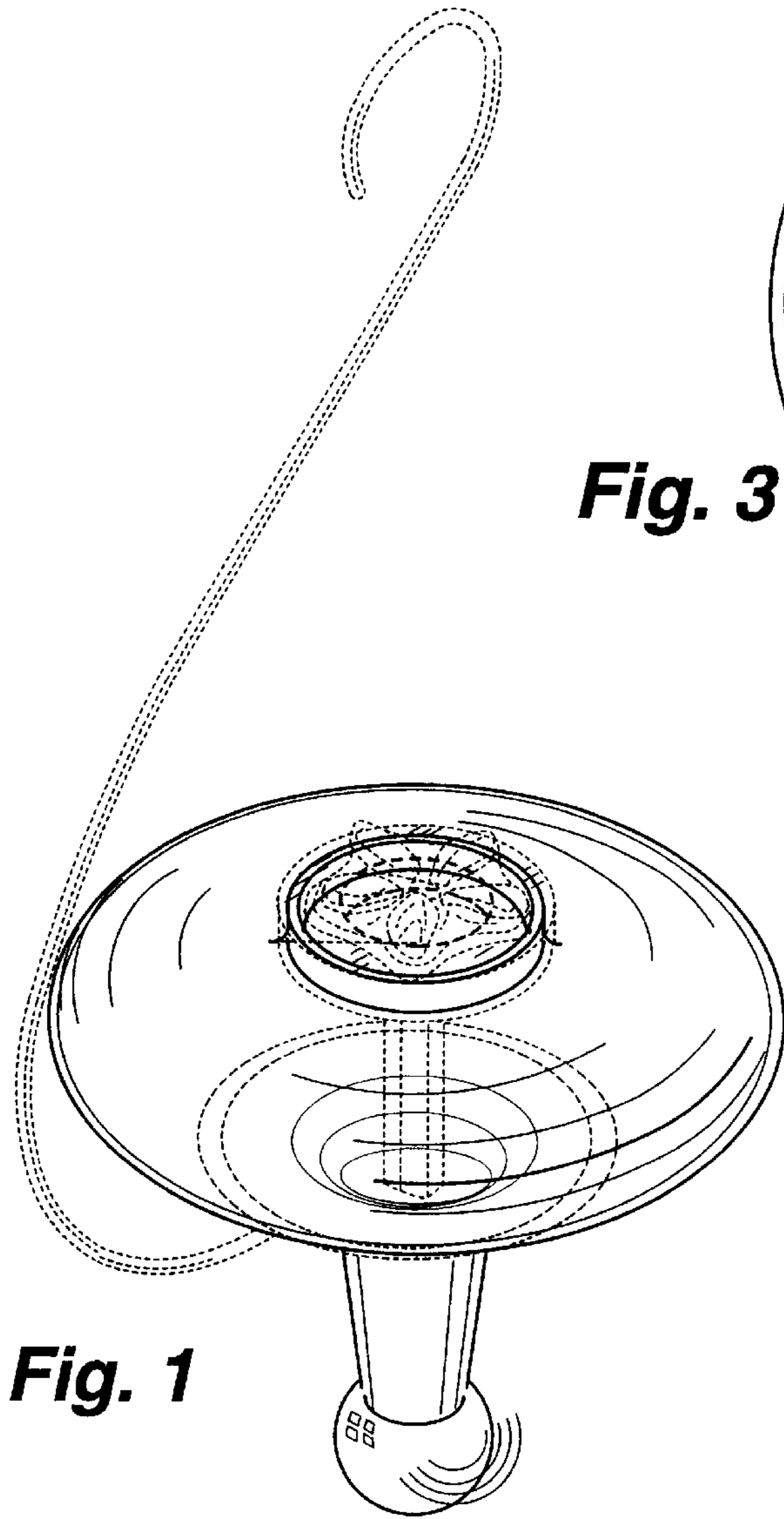


Fig. 3

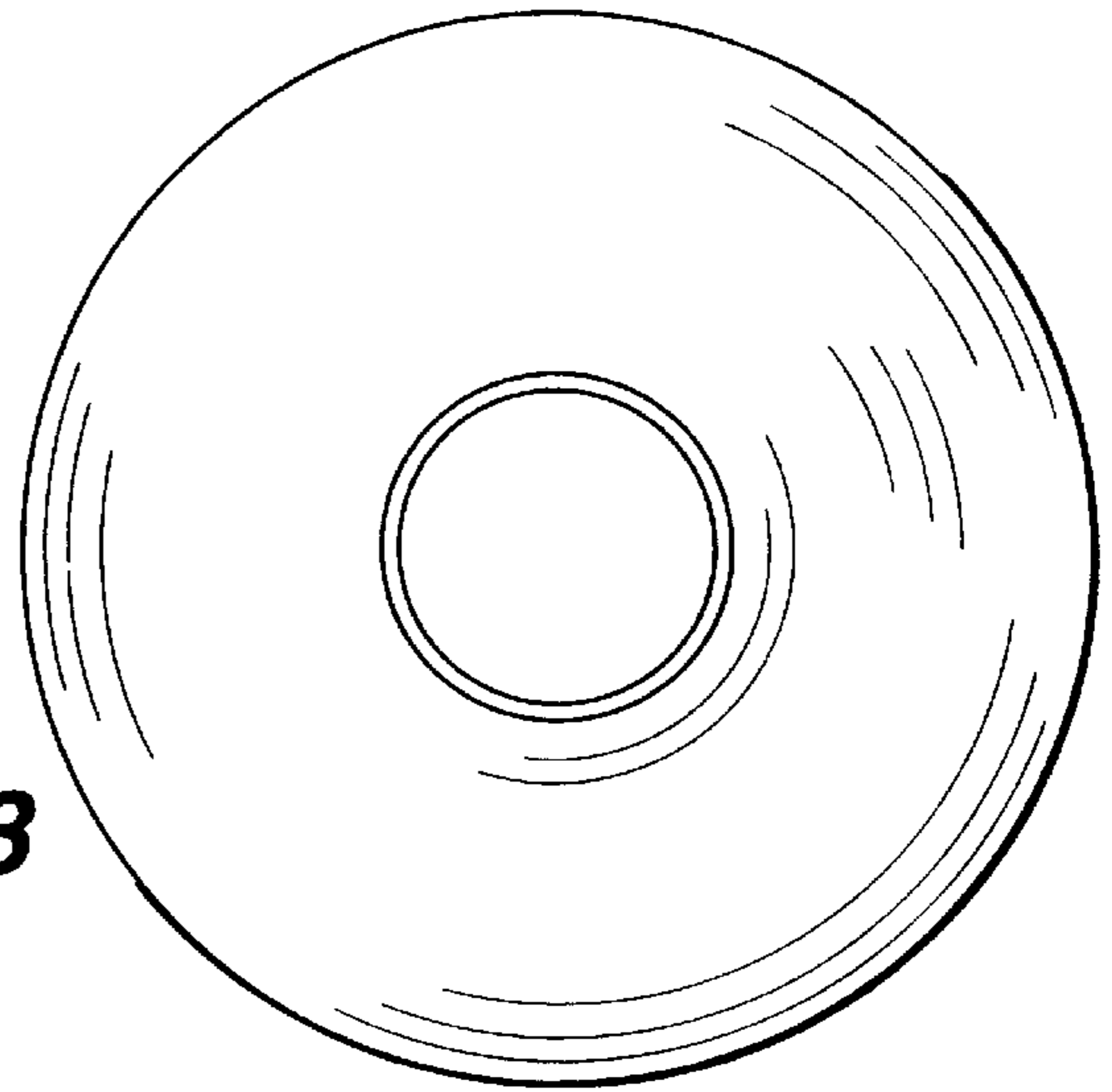
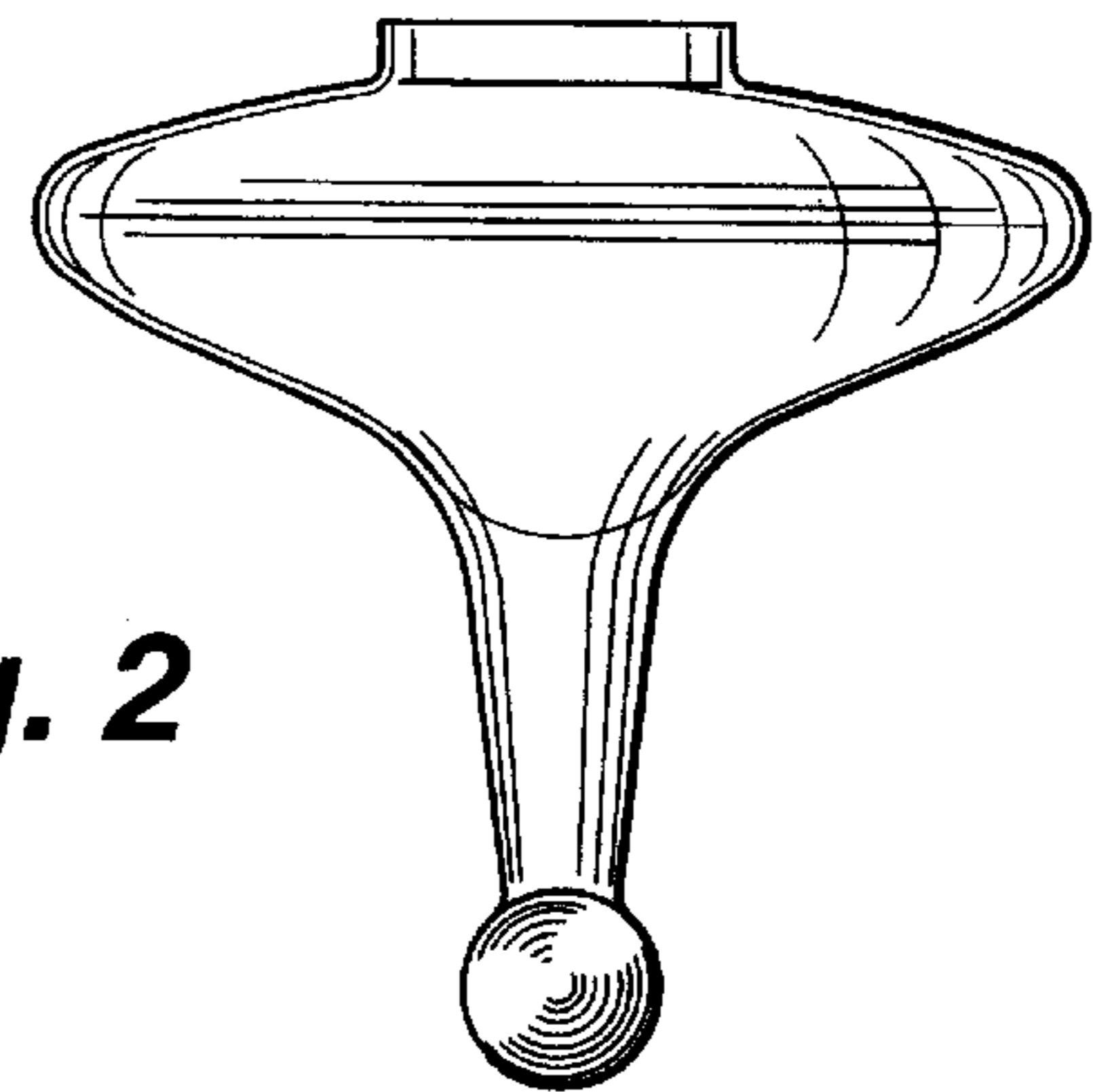


Fig. 2



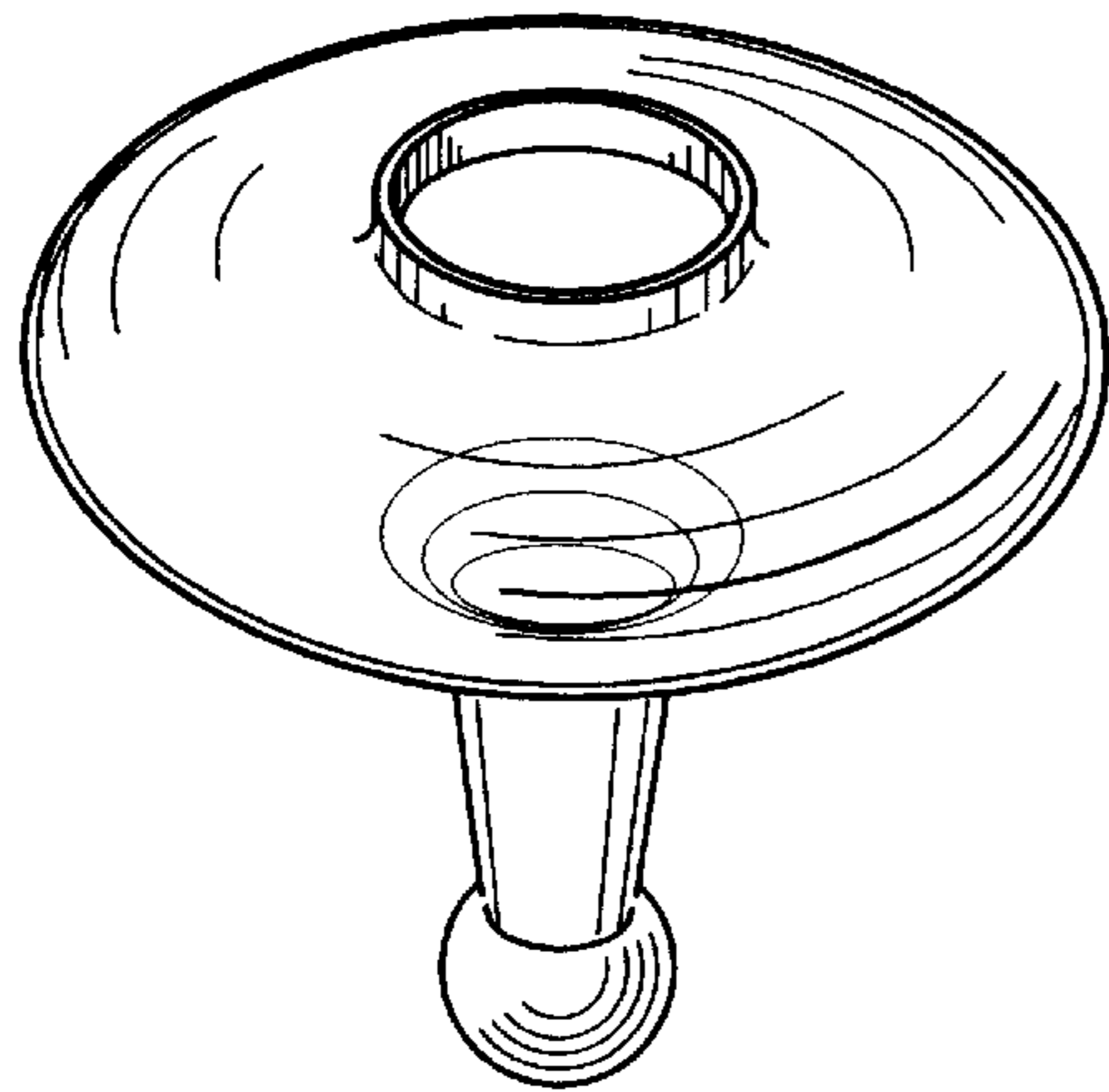


Fig. 7

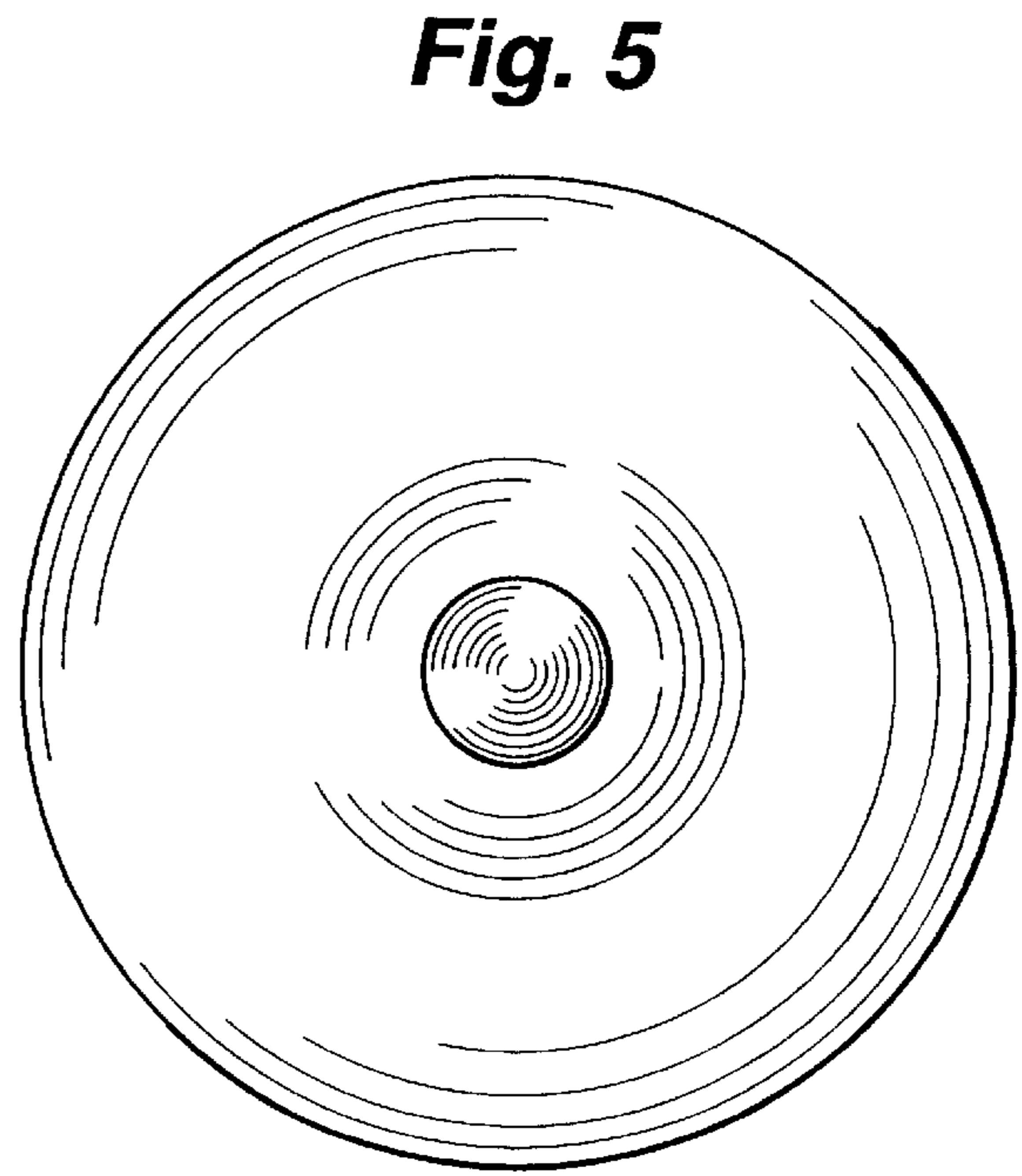


Fig. 5

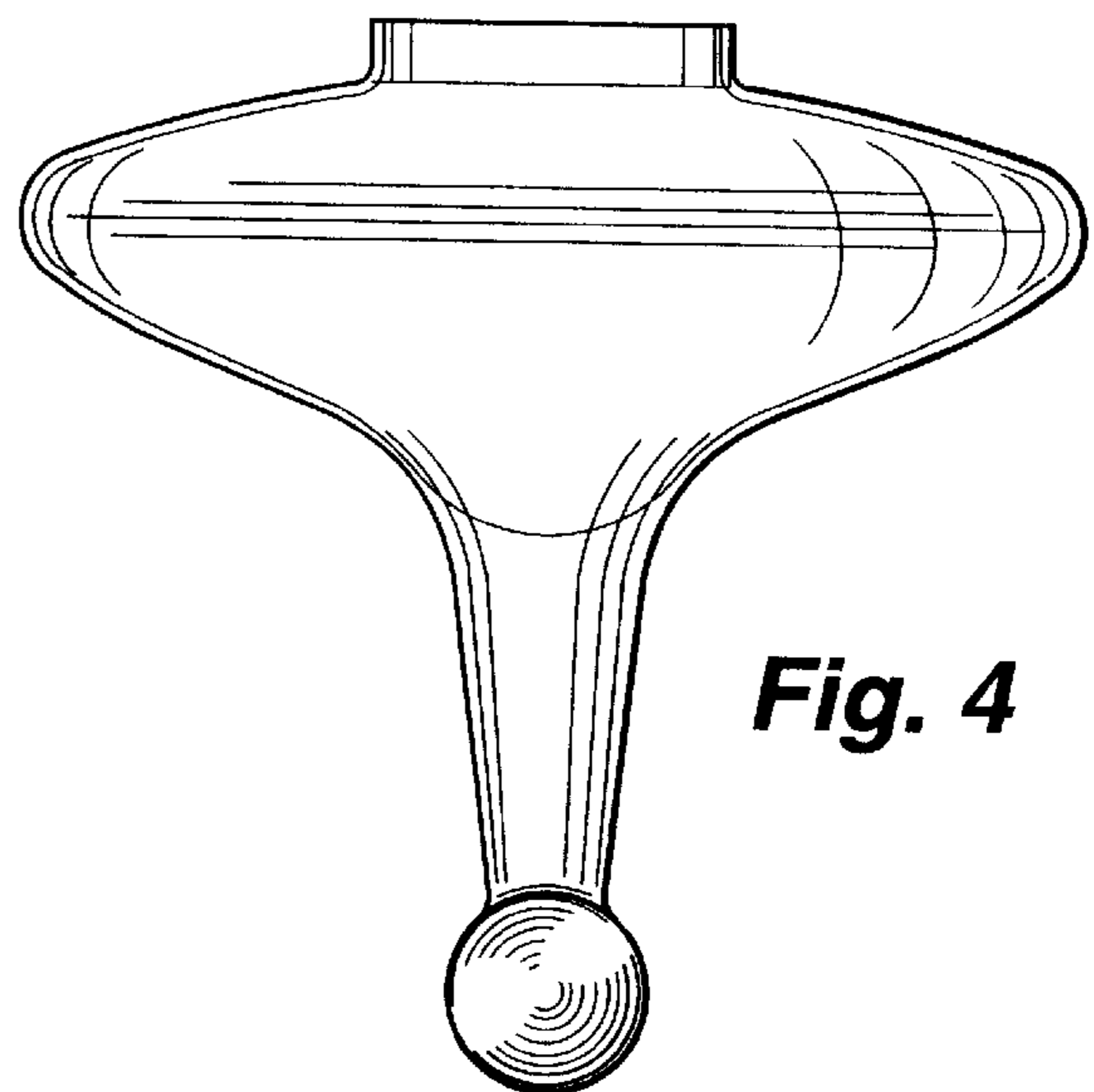


Fig. 4

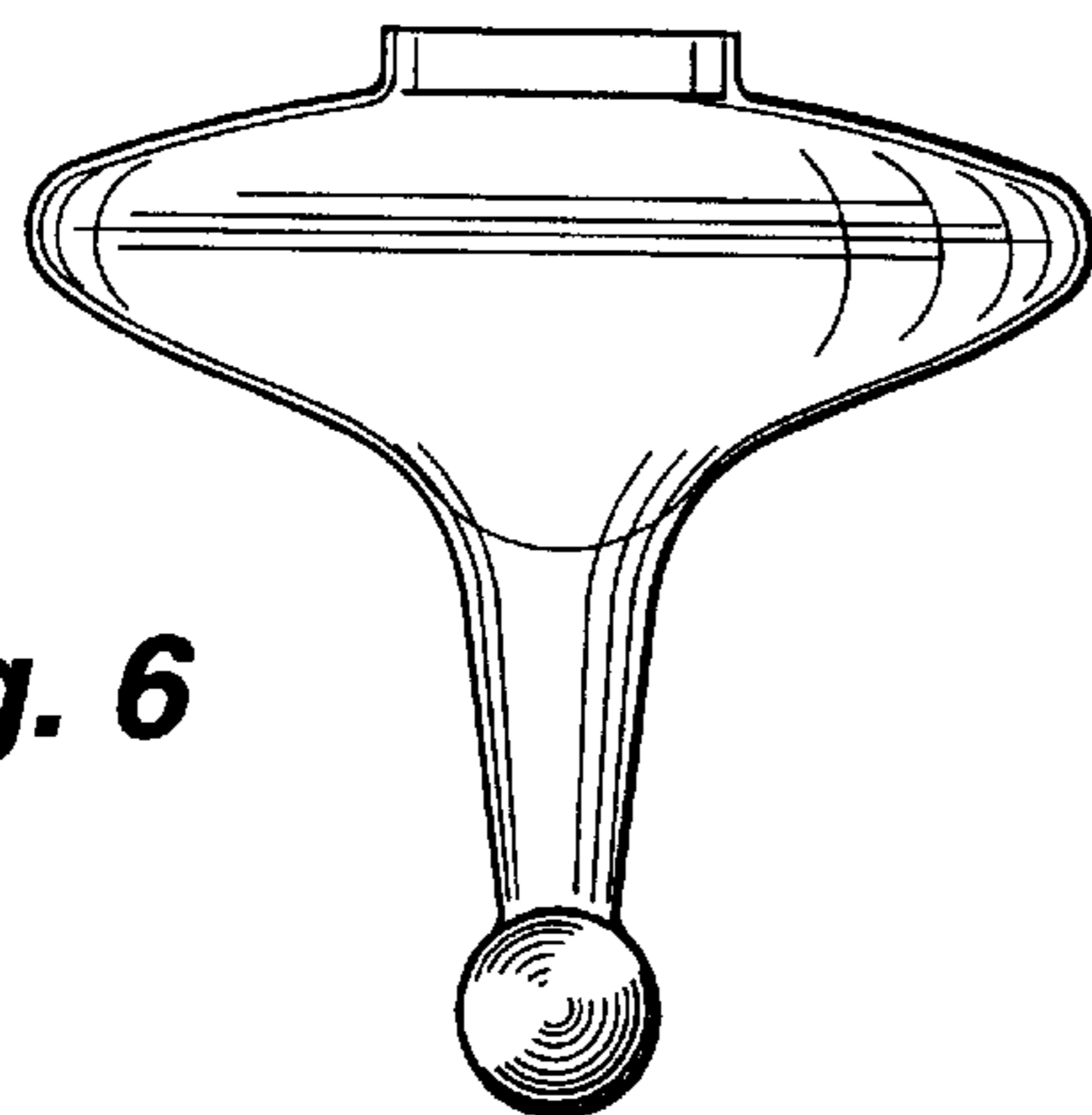


Fig. 6