



US00D441910S

(12) **United States Design Patent**
Prochaska

(10) **Patent No.:** **US D441,910 S**

(45) **Date of Patent:** **** May 8, 2001**

(54) **RAZOR HANDLE**

(75) Inventor: **Frank H. Prochaska**, Waynesboro, VA
(US)

(73) Assignee: **American Safety Razor**, Verona, VA
(US)

(**) Term: **14 Years**

(21) Appl. No.: **29/121,981**

(22) Filed: **Apr. 19, 2000**

(51) **LOC (7) Cl.** **28-03**

(52) **U.S. Cl.** **D28/48**

(58) **Field of Search** D28/44, 45, 46,
D28/47, 48; 30/32, 47, 526, 527, 532, 533

(56) **References Cited**

U.S. PATENT DOCUMENTS

D. 174,037	2/1955	Glaberson .	
D. 193,299	7/1962	Dreyfuss .	
D. 229,875	1/1974	Glaberson .	
D. 242,661	12/1976	Gray .	
D. 243,419	* 2/1977	Hedley	D28/48
D. 245,460	8/1977	Poisson	D28/46
D. 250,130	* 10/1978	Douglas	D28/46
D. 255,160	5/1980	Gray	D28/46
D. 257,793	* 1/1981	Gray	D28/48
D. 269,724	7/1983	Chase et al.	D28/46
D. 269,915	* 7/1983	Iten et al.	D28/46

D. 345,232	3/1994	Gray	D28/46
D. 345,441	3/1994	Gray	D28/48
D. 398,718	9/1998	Gray	D28/48
D. 407,529	* 3/1999	May	D28/46
936,654	* 10/1909	McIntire	30/74.1
4,198,746	* 4/1980	Trotta	30/47

* cited by examiner

Primary Examiner—Mitchell Siegel

Assistant Examiner—C. Tuttle

(74) *Attorney, Agent, or Firm*—McDermott, Will & Emery

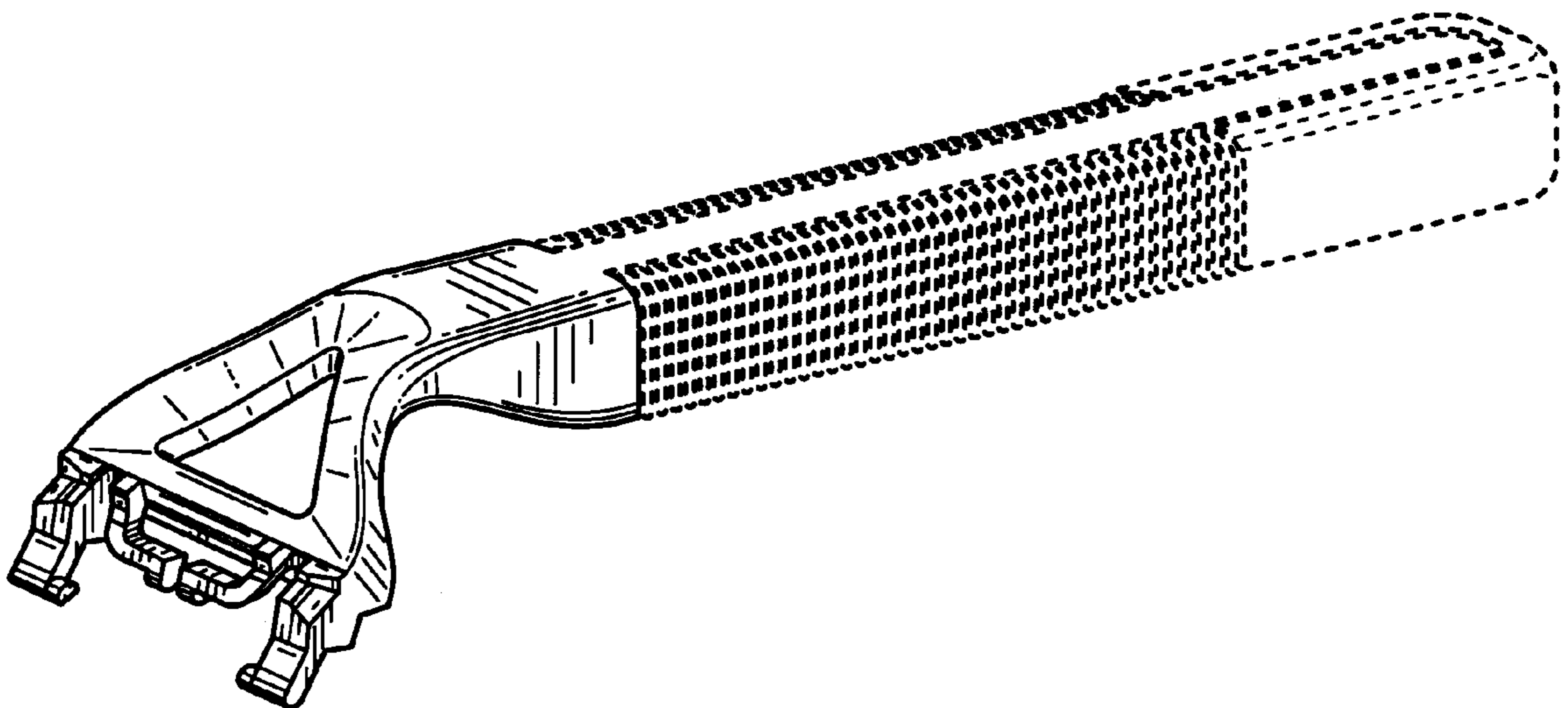
(57) **CLAIM**

I claim the ornamental design of a razor handle, as described and shown in the drawings.

DESCRIPTION

FIG. 1 is a perspective view showing a head portion of razor handle according to the present invention;
 FIG. 2 is a top plan view of the head portion of the razor handle according to the present invention;
 FIG. 3 is a bottom plan view of the head portion of the razor handle according to the present invention;
 FIG. 4 is a side view of the head portion of the razor handle according to the present invention;
 FIG. 5 is a front end view of the head portion of the razor handle according to the invention; and,
 FIG. 6 is a rear end view of the head portion of the razor handle according to the invention.

1 Claim, 3 Drawing Sheets



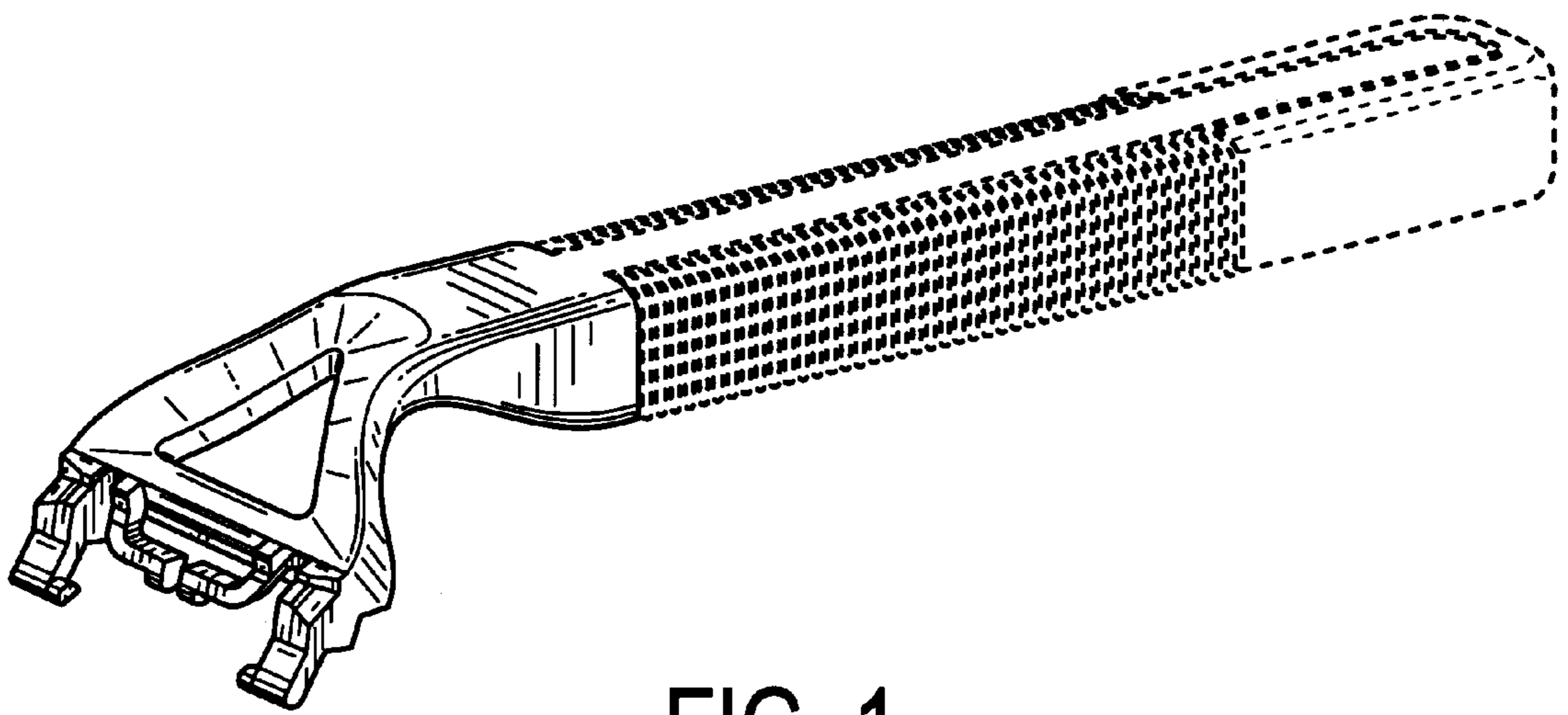


FIG. 1

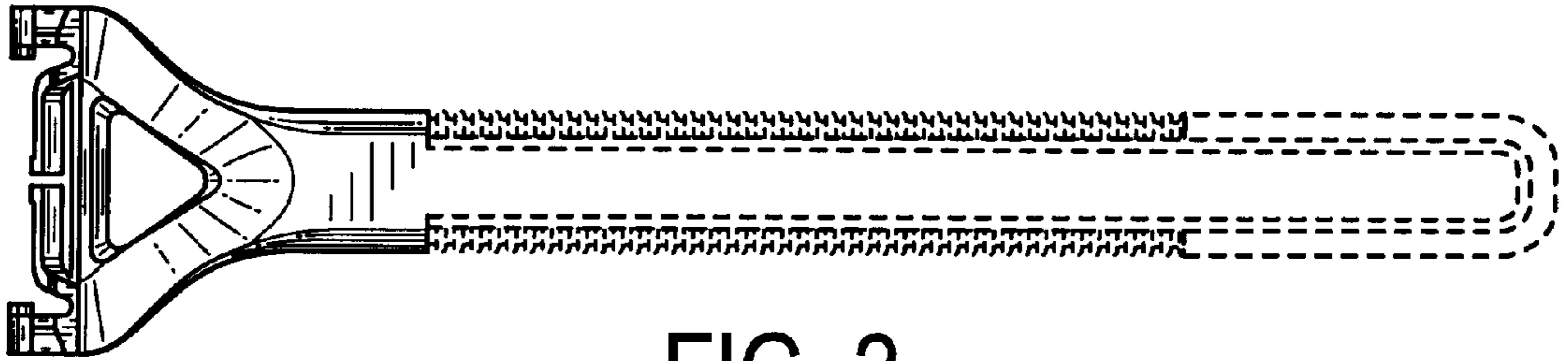


FIG. 2

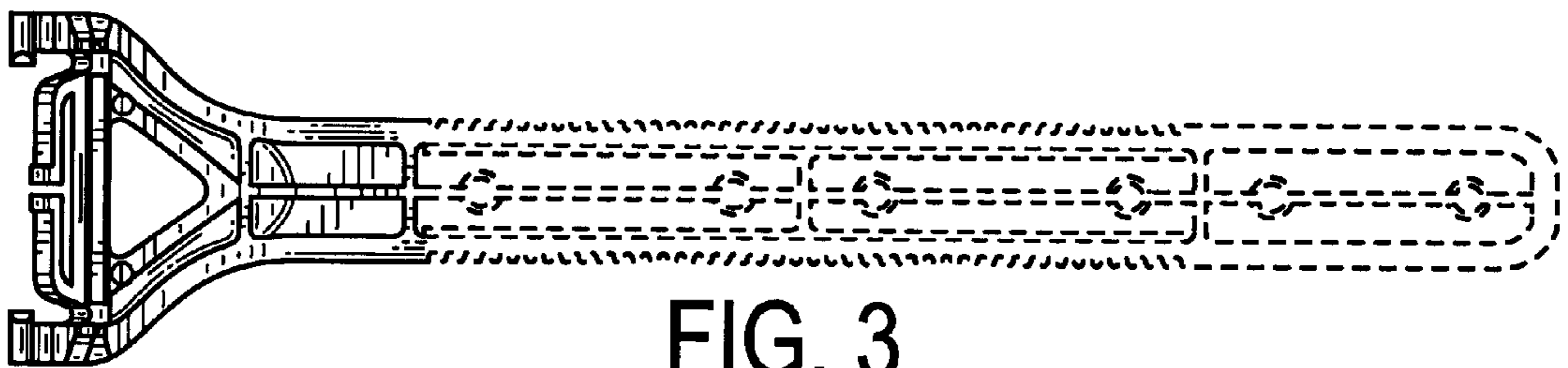


FIG. 3

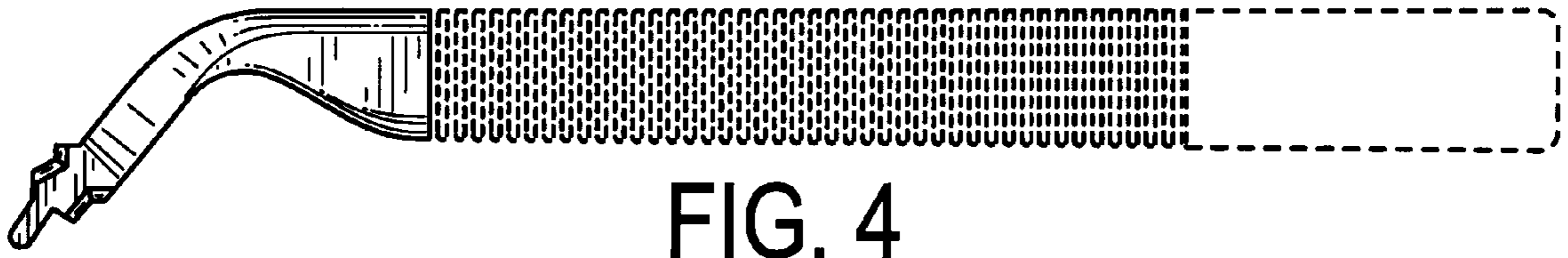


FIG. 4

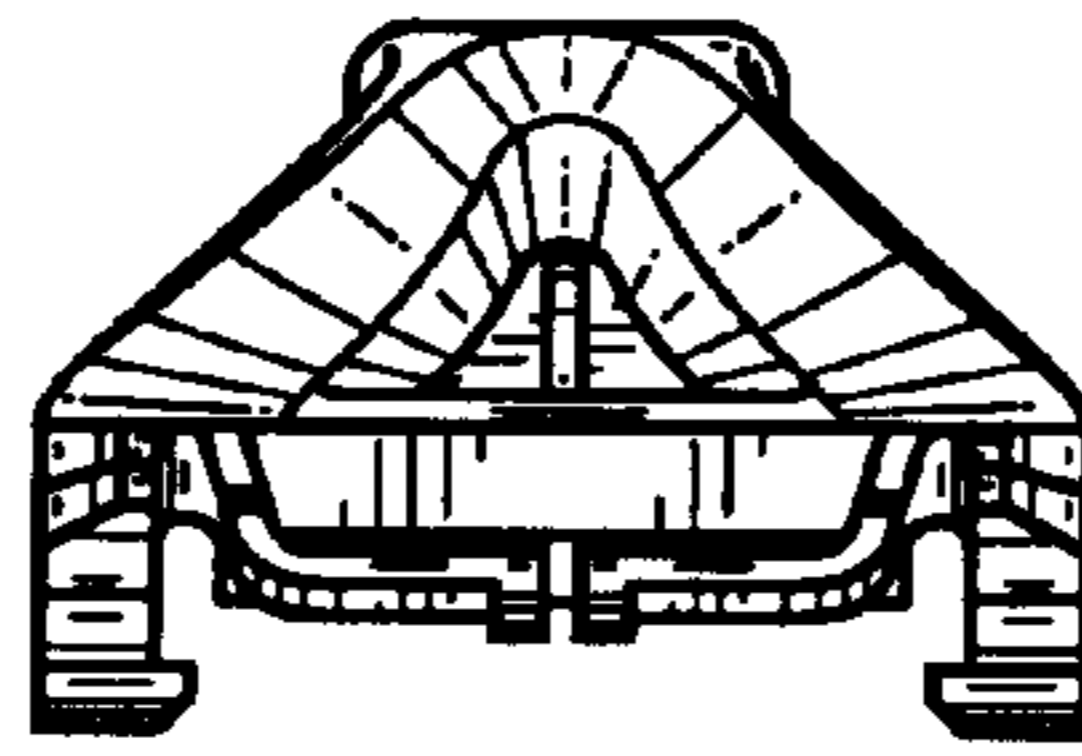


FIG. 5

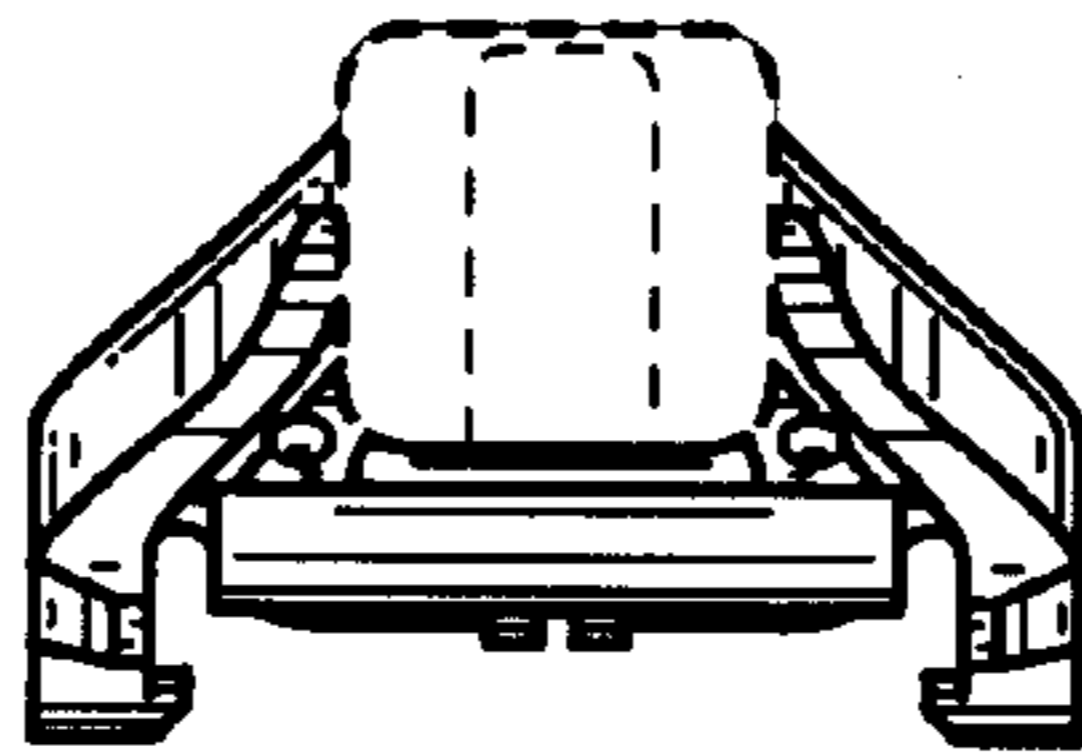


FIG. 6