



US00D441901S

(12) **United States Design Patent**  
**Neustadt**

(10) **Patent No.:** **US D441,901 S**

(45) **Date of Patent:** **\*\* May 8, 2001**

(54) **LAMP**

(76) Inventor: **Jerome Neustadt**, 5 Holly Ave.,  
Florida, NY (US) 10921

(\*\*) Term: **14 Years**

(21) Appl. No.: **29/118,367**

(22) Filed: **Feb. 7, 2000**

(51) **LOC (7) Cl.** ..... **26-05**

(52) **U.S. Cl.** ..... **D26/87**

(58) **Field of Search** ..... D26/80-92; 362/147,  
362/404-408, 432

(56) **References Cited**

**U.S. PATENT DOCUMENTS**

- D. 221,181 \* 7/1971 Bobrick ..... D26/85
- 4,302,798 \* 11/1981 Hoffman ..... 362/147
- 4,313,153 \* 1/1982 Davis ..... 362/147 X

\* cited by examiner

*Primary Examiner*—Susan J. Lucas

(74) *Attorney, Agent, or Firm*—D. Peter Hochberg;  
Katherine R. Vieyra; William H. Holt

(57) **CLAIM**

The ornamental design for a lamp, as shown and described.

**DESCRIPTION**

FIG. 1 is a front view of a lamp according to the present invention;

FIG. 2 is a left-side view of the lamp shown in FIG. 1;

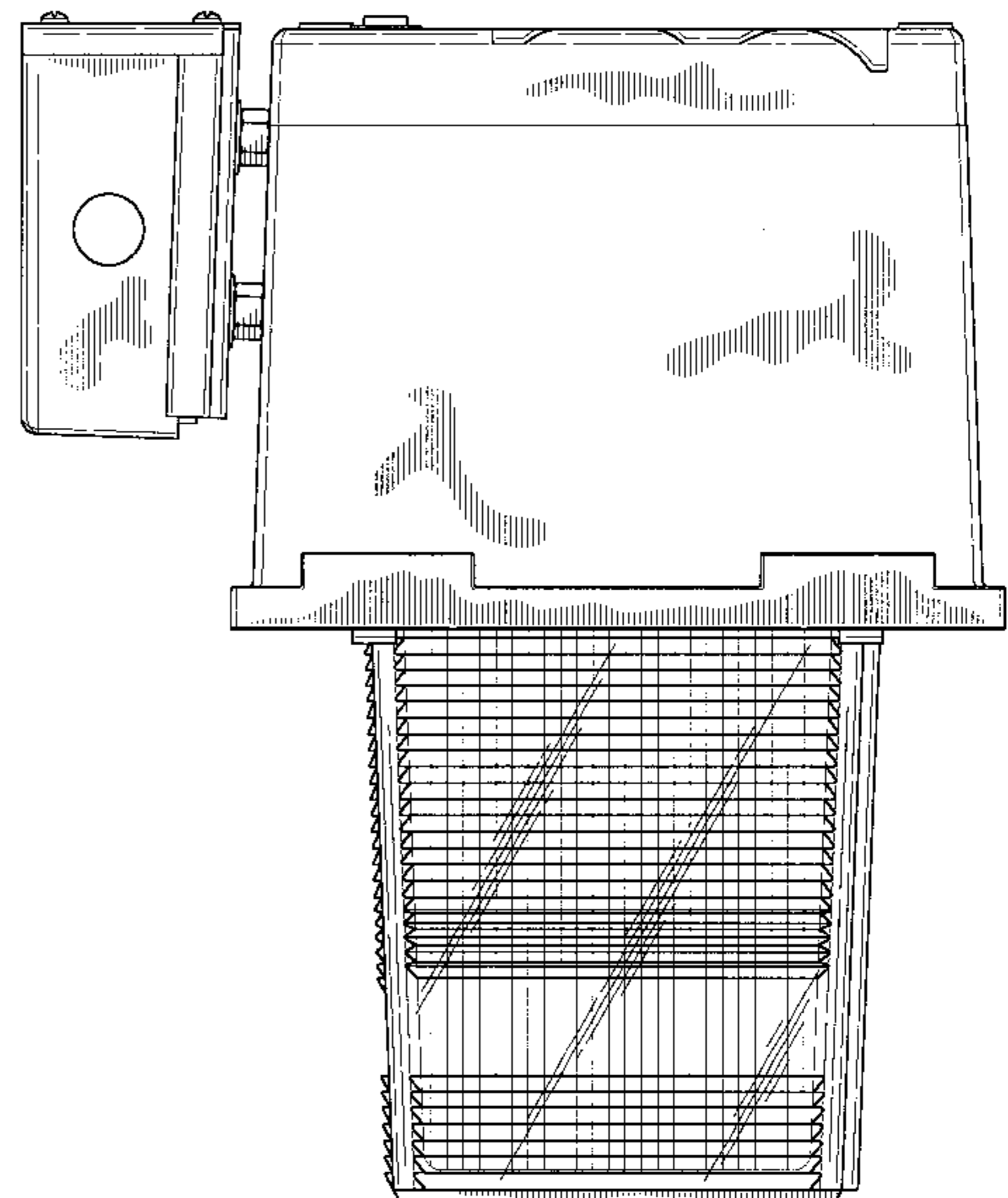
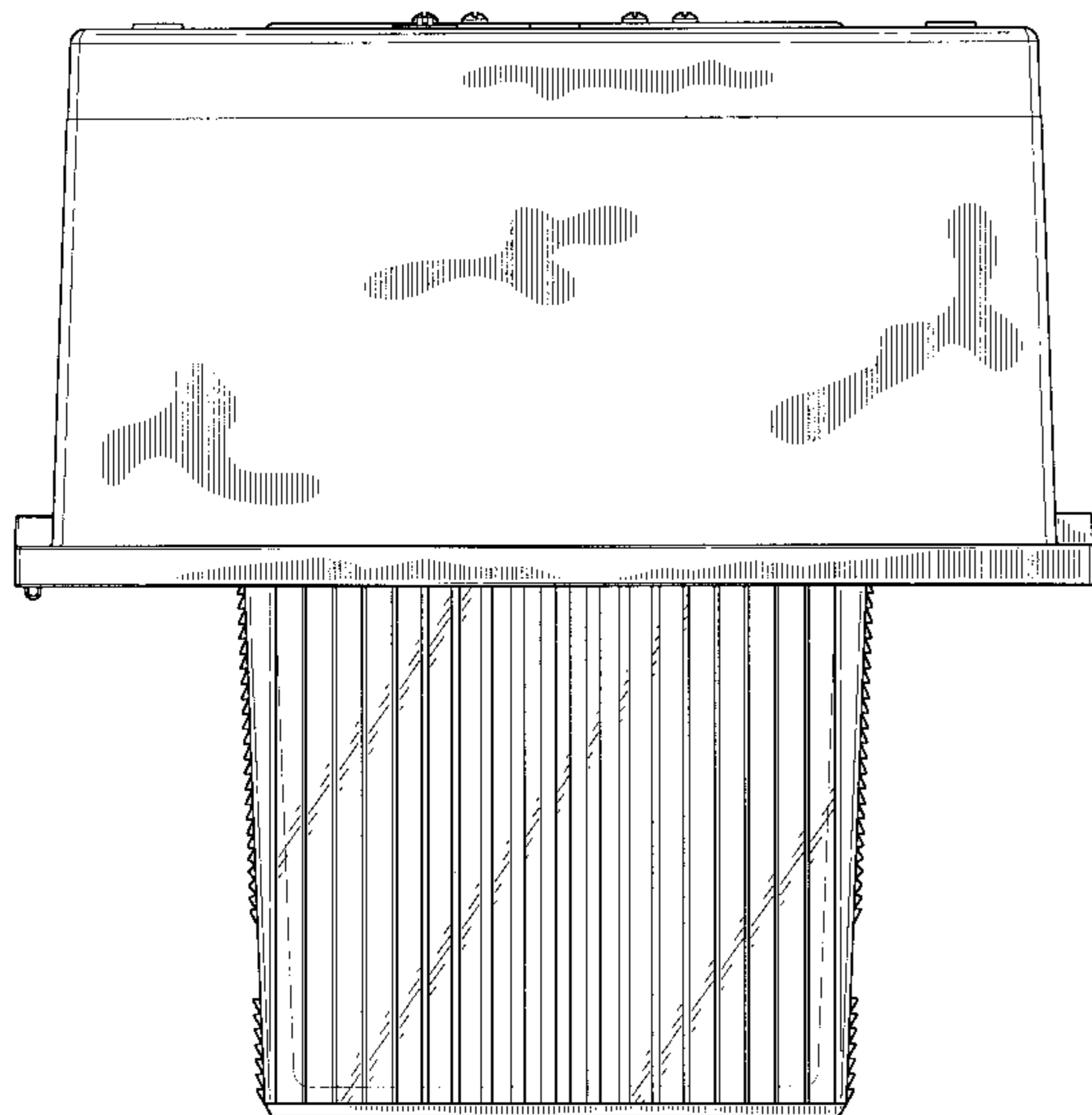
FIG. 3 is a right-side view of the lamp shown in FIG. 1;

FIG. 4 is a back view of the lamp shown in FIG. 1;

FIG. 5 is a top view of the lamp shown in FIG. 1; and,

FIG. 6 is a bottom view of the lamp shown in FIG. 1.

**1 Claim, 6 Drawing Sheets**



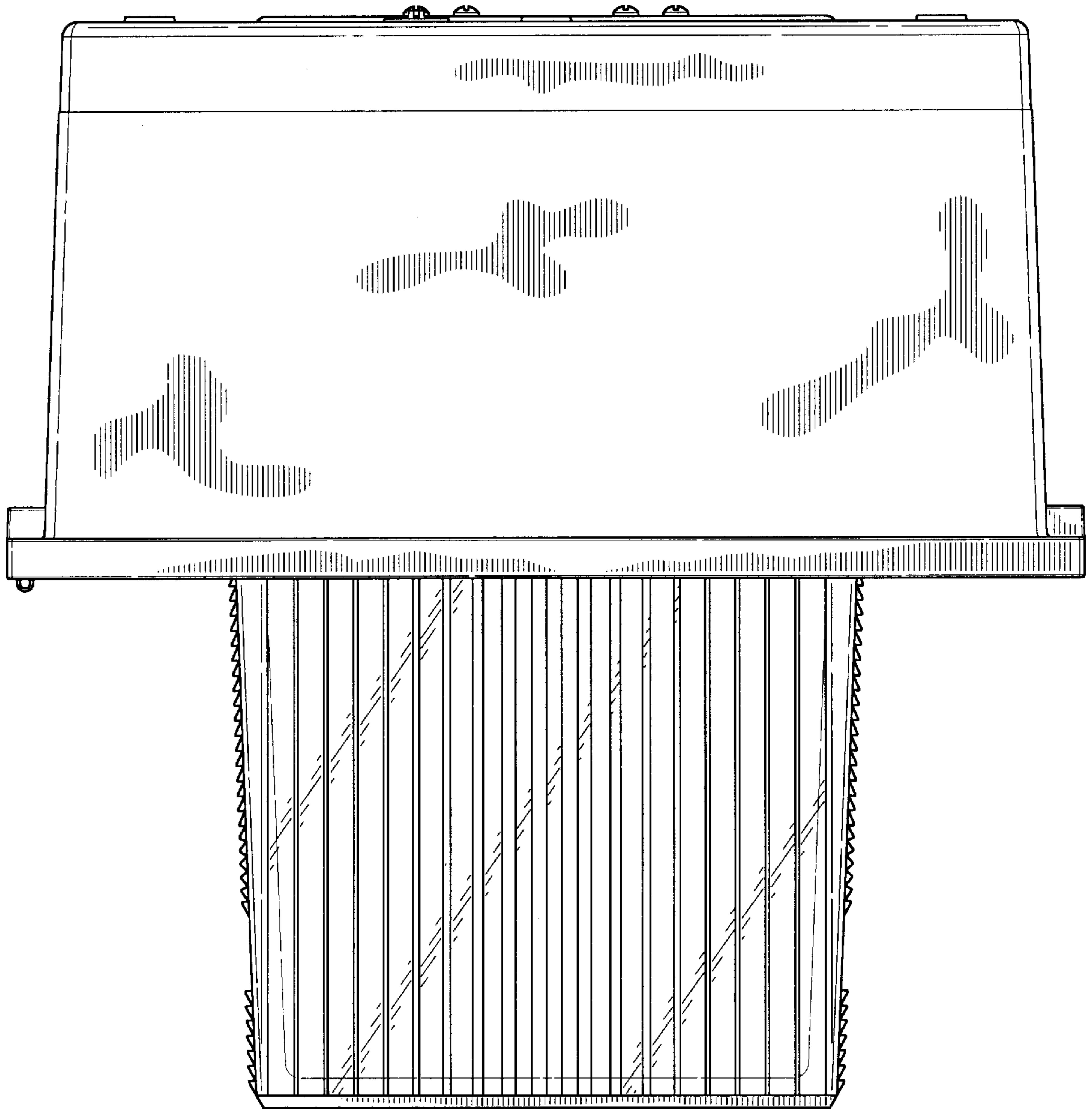


FIG-1

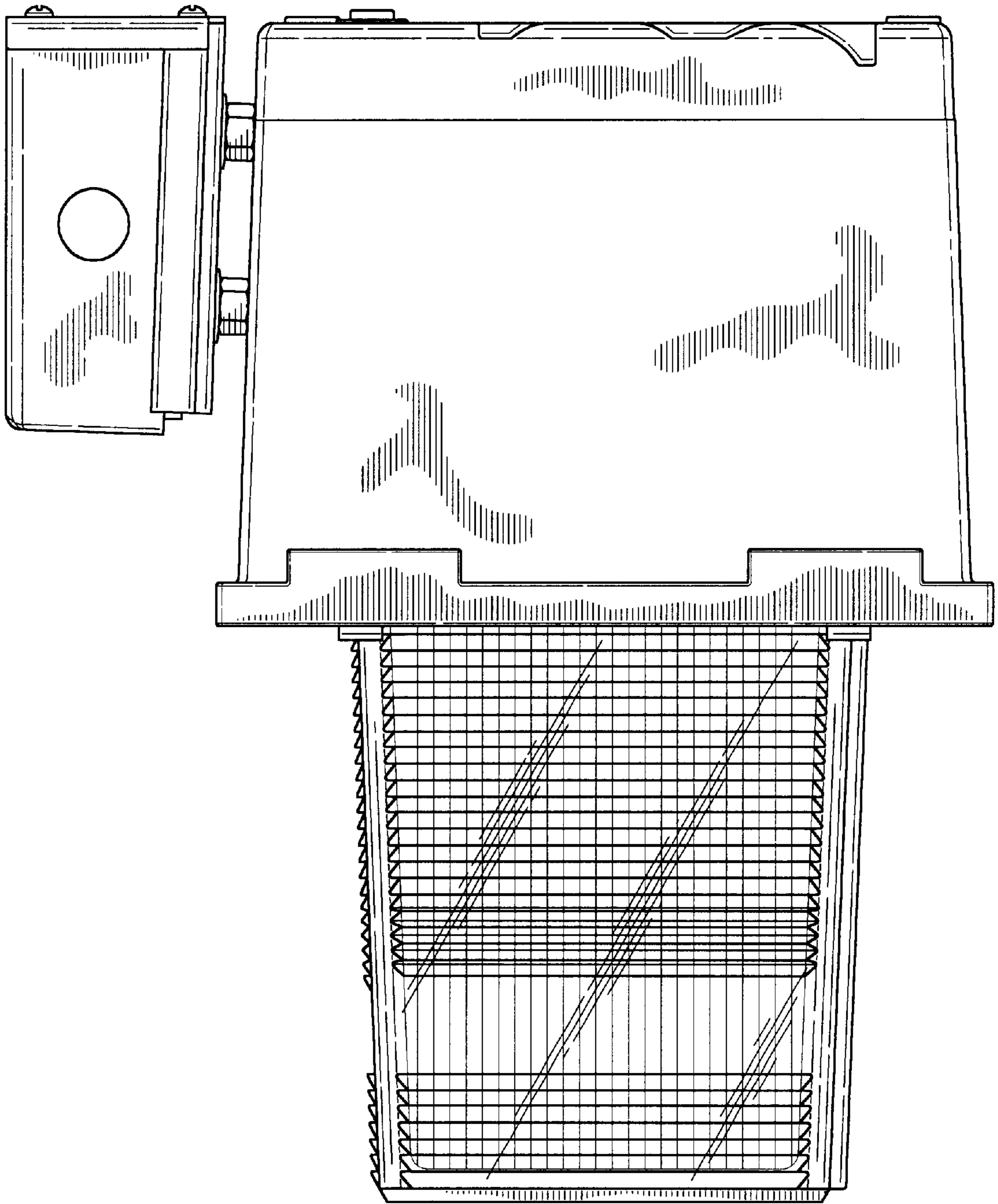


FIG-2

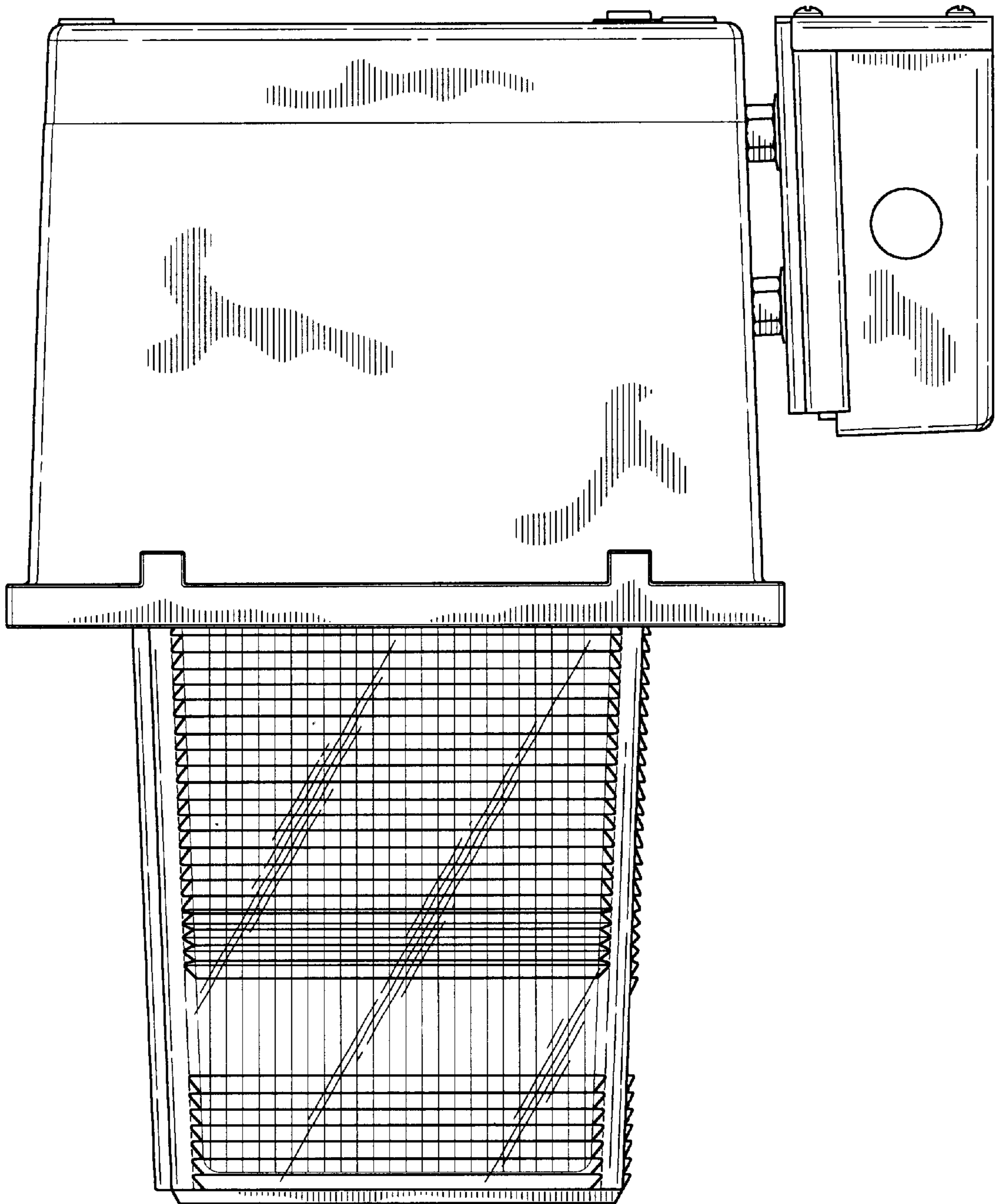


FIG-3

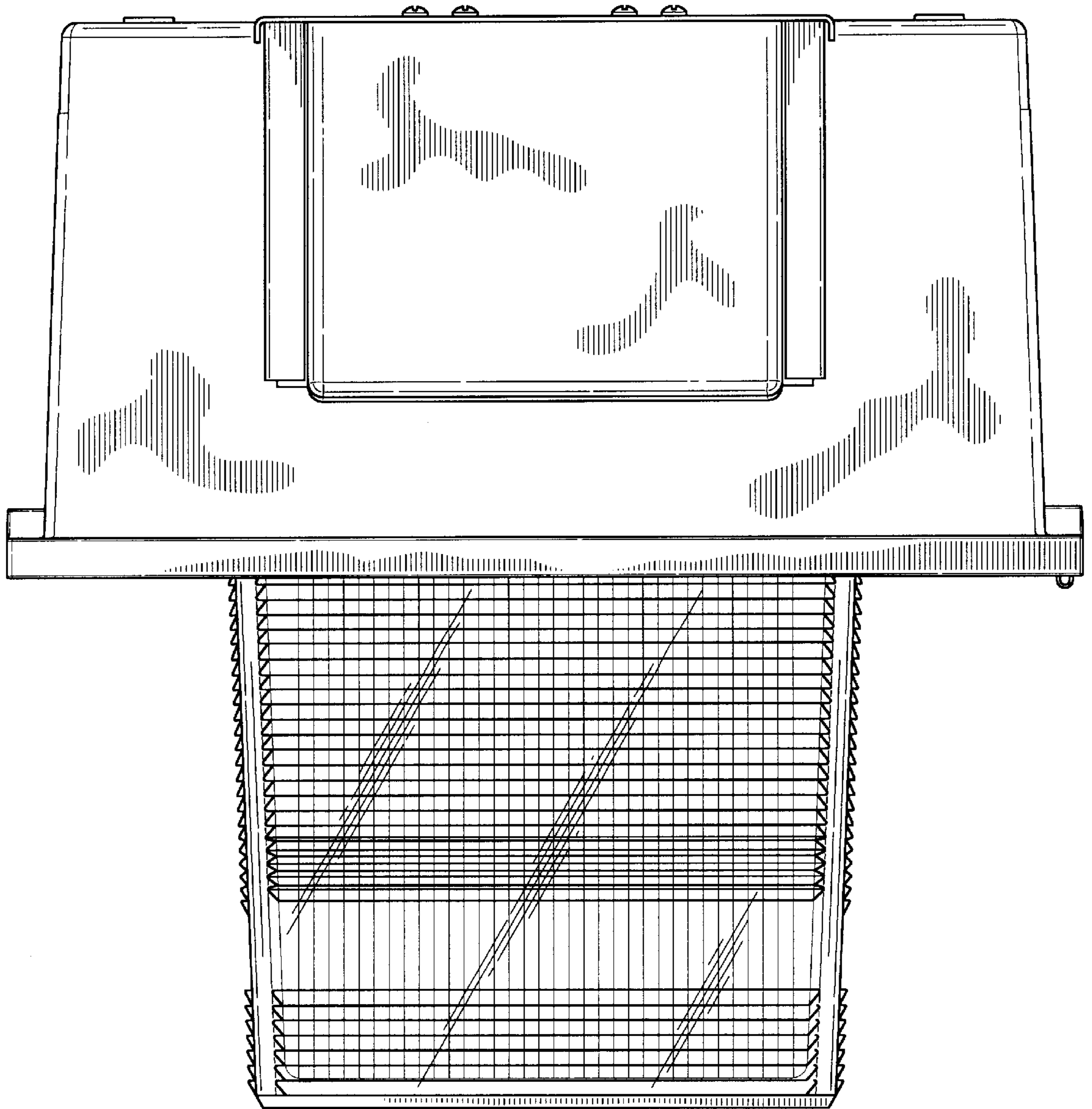


FIG-4

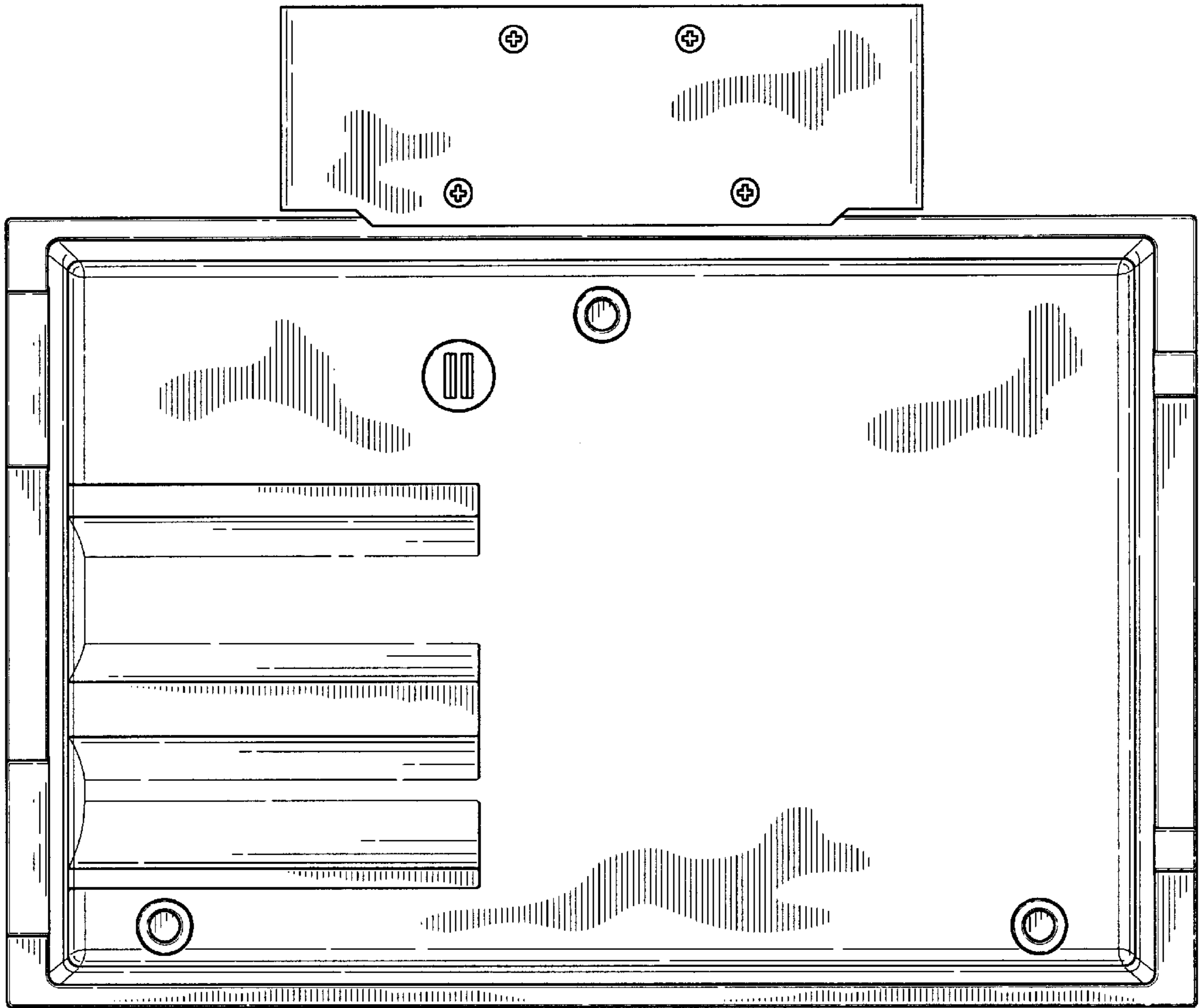


FIG-5

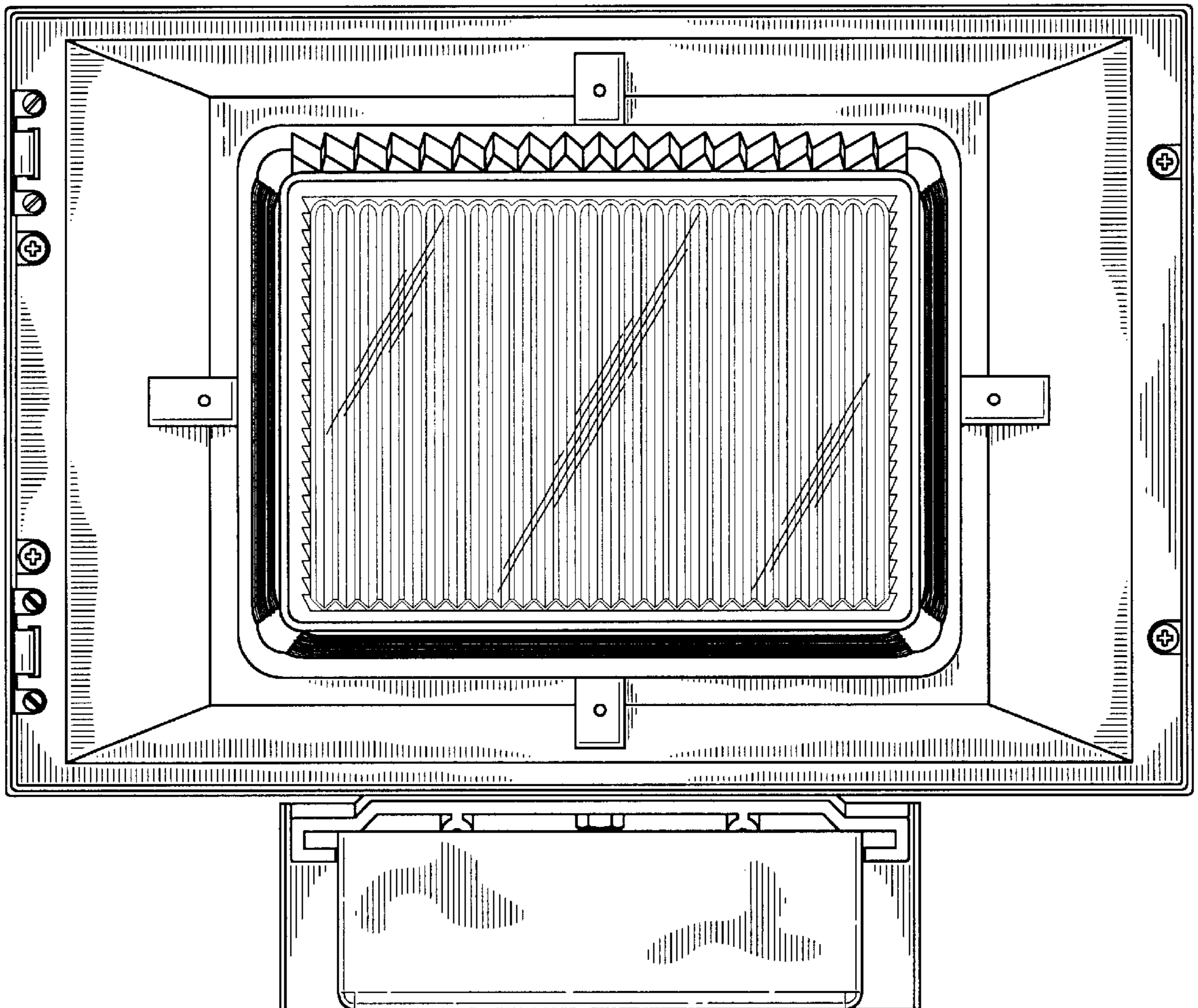


FIG-6