



US00D441897S

(12) **United States Design Patent**
Hsu

(10) **Patent No.:** **US D441,897 S**

(45) **Date of Patent:** **** May 8, 2001**

(54) **PENDENT LAMP**

(75) Inventor: **Peter Hsu**, Taichung (TW)

(73) Assignee: **Dong Guan Bright Yin Huey Lighting Co., Ltd.**, Guang Dong (CN)

(**) Term: **14 Years**

(21) Appl. No.: **29/126,175**

(22) Filed: **Jul. 12, 2000**

(51) **LOC (7) Cl.** **26-05**

(52) **U.S. Cl.** **D26/85**

(58) **Field of Search** D26/72, 80-92;
362/147, 404-408

(56) **References Cited**

PUBLICATIONS

American Lantern catalog, 1990, p. 25 ceiling lamp # 3165.*
Quoizel lighting catalog, 1997, p. 21, ceiling lamp # AE 202Y.*

* cited by examiner

Primary Examiner—Susan J. Lucas

(74) *Attorney, Agent, or Firm*—Rosenberg, Klein & Lee

(57) **CLAIM**

The ornamental design for a pendent lamp, as shown and described.

DESCRIPTION

FIG. 1 is a perspective view of pendent lamp showing my new design;

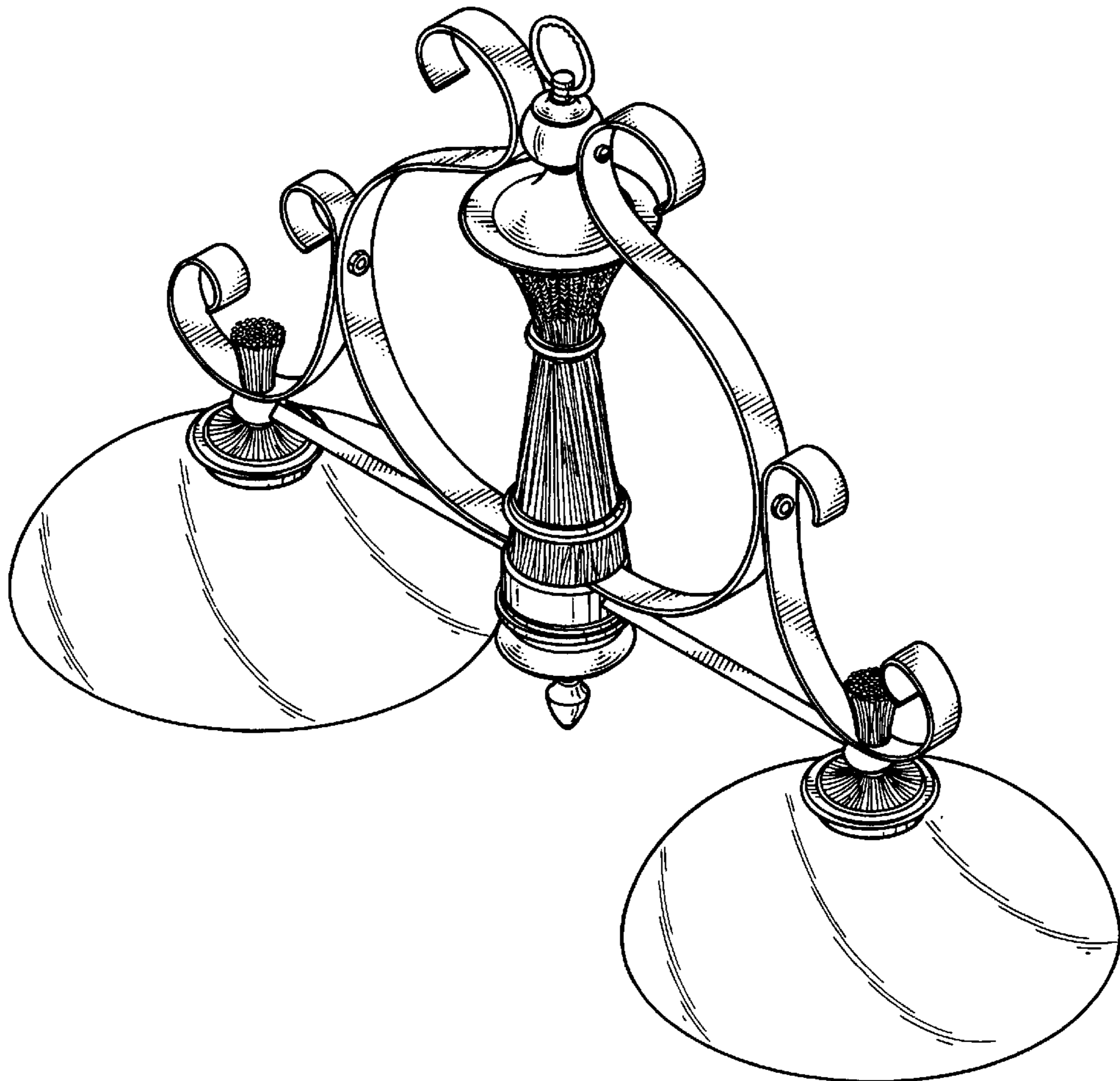
FIG. 2 is a front elevation view, the rear elevation view thereof being identical in appearance;

FIG. 3 is a left side elevation view, the right side elevation view thereof being identical in appearance;

FIG. 4 is a top plan view thereof; and,

FIG. 5 is a bottom plan view thereof.

1 Claim, 5 Drawing Sheets



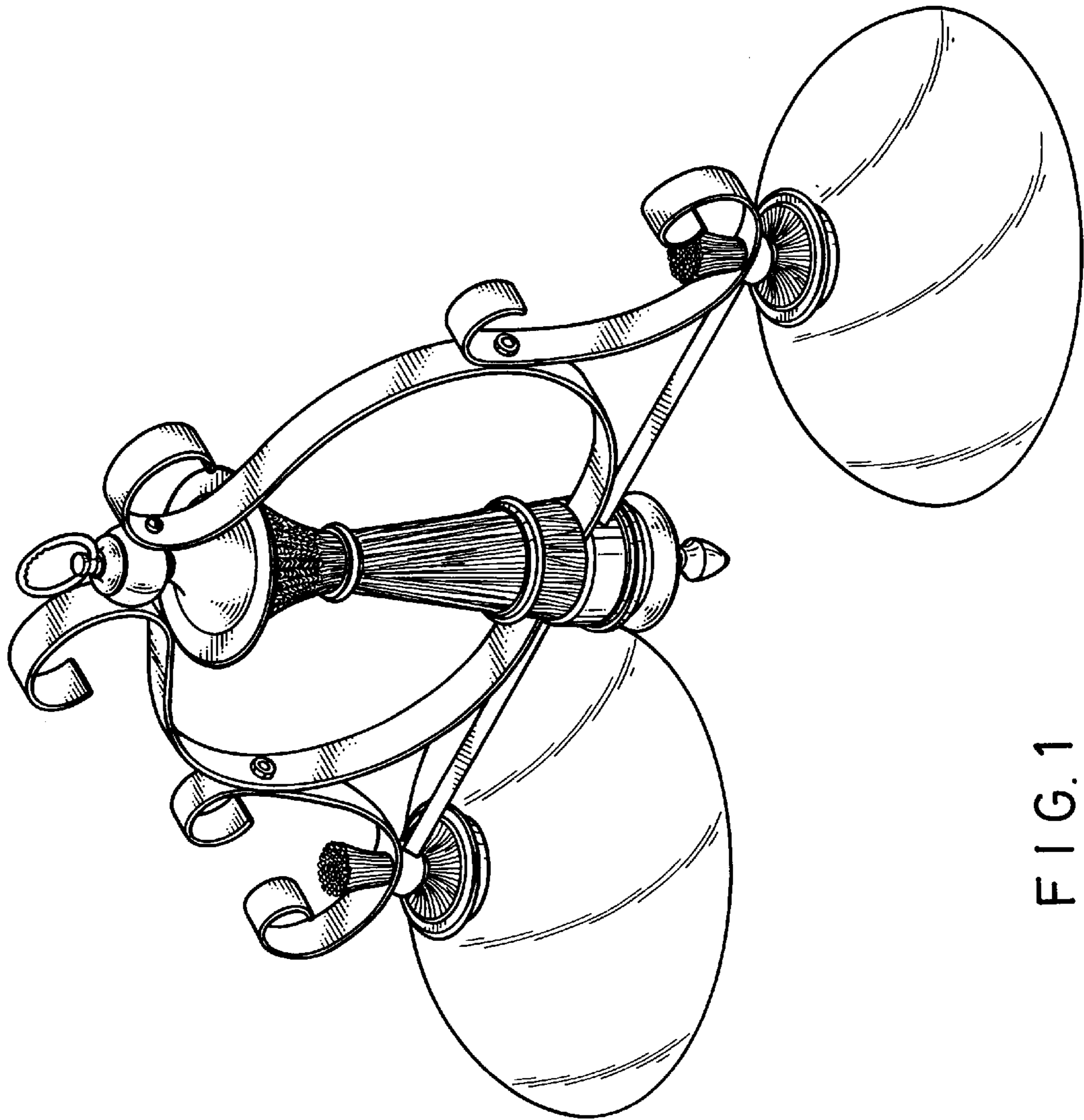


FIG. 1

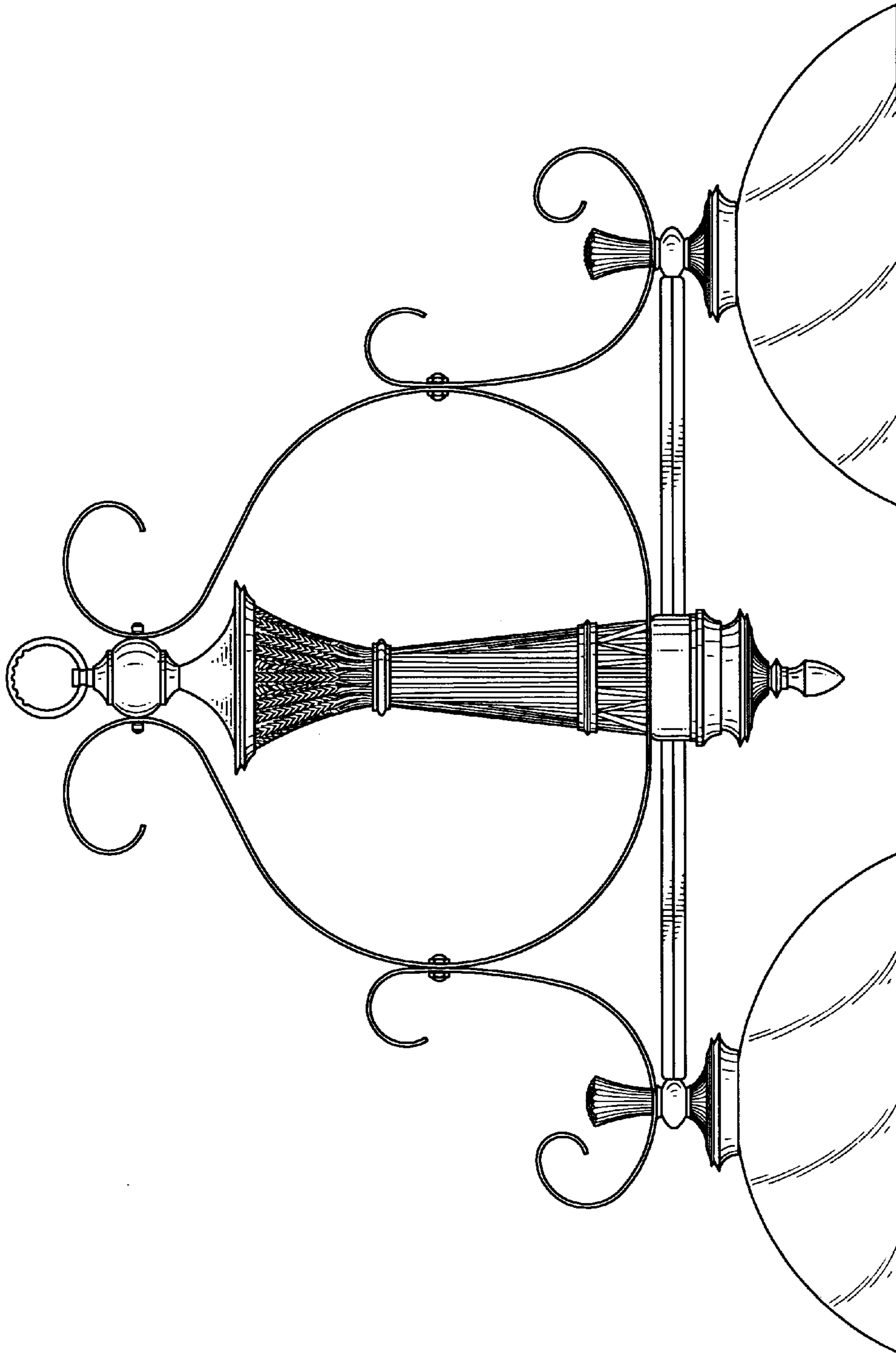


FIG. 2

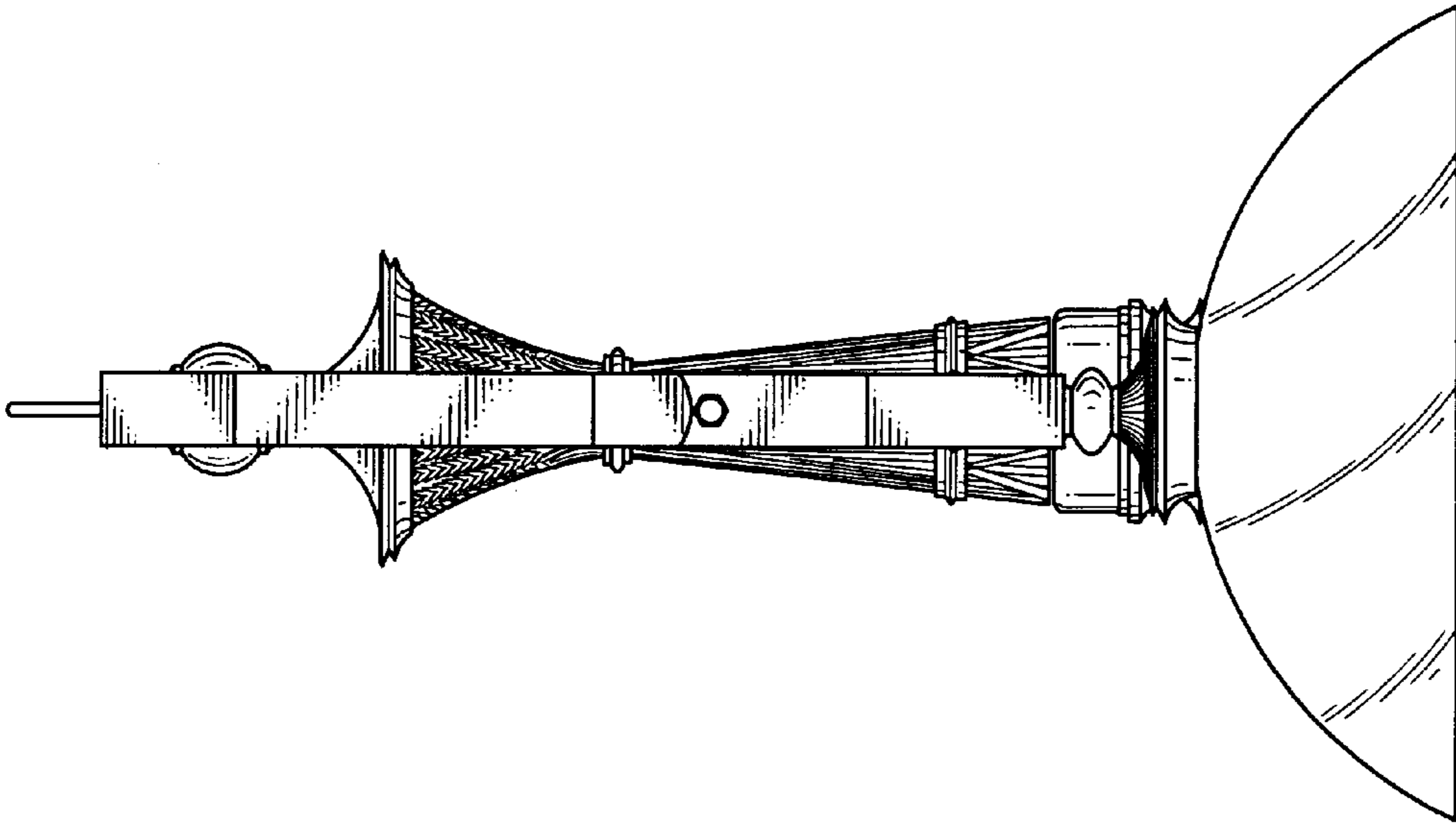


FIG. 3

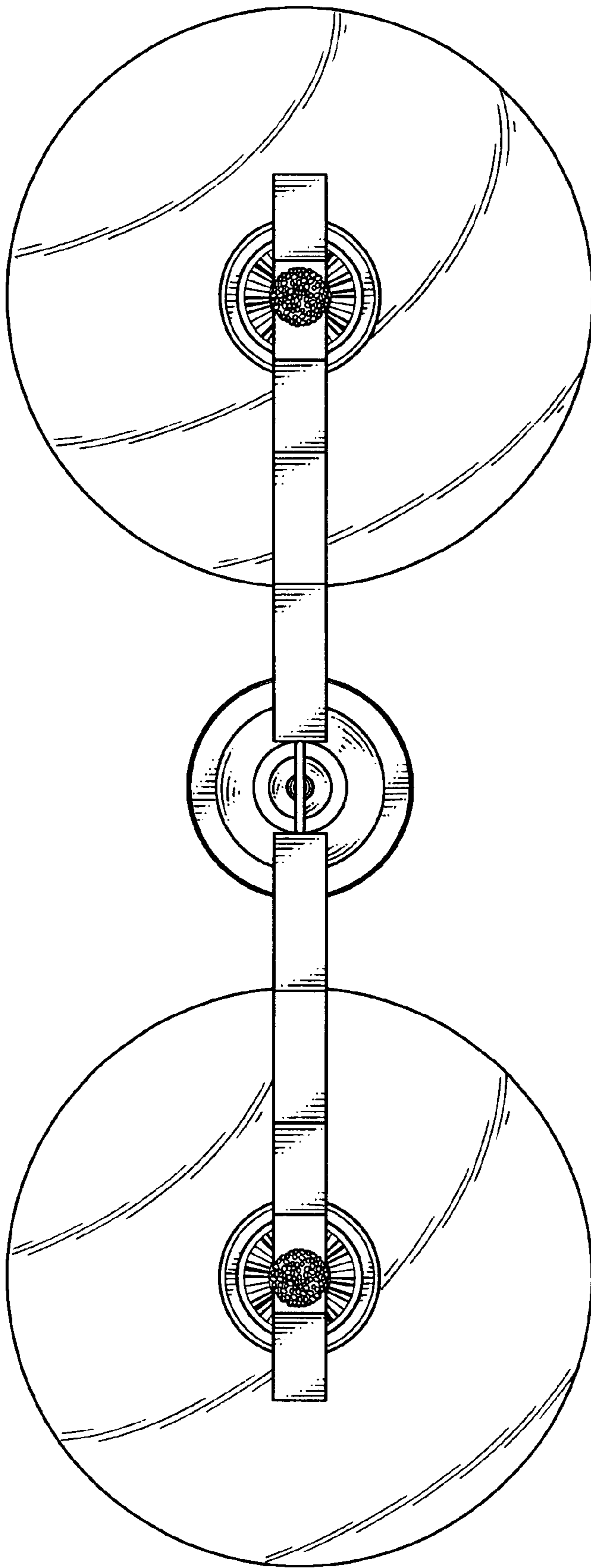


FIG. 4

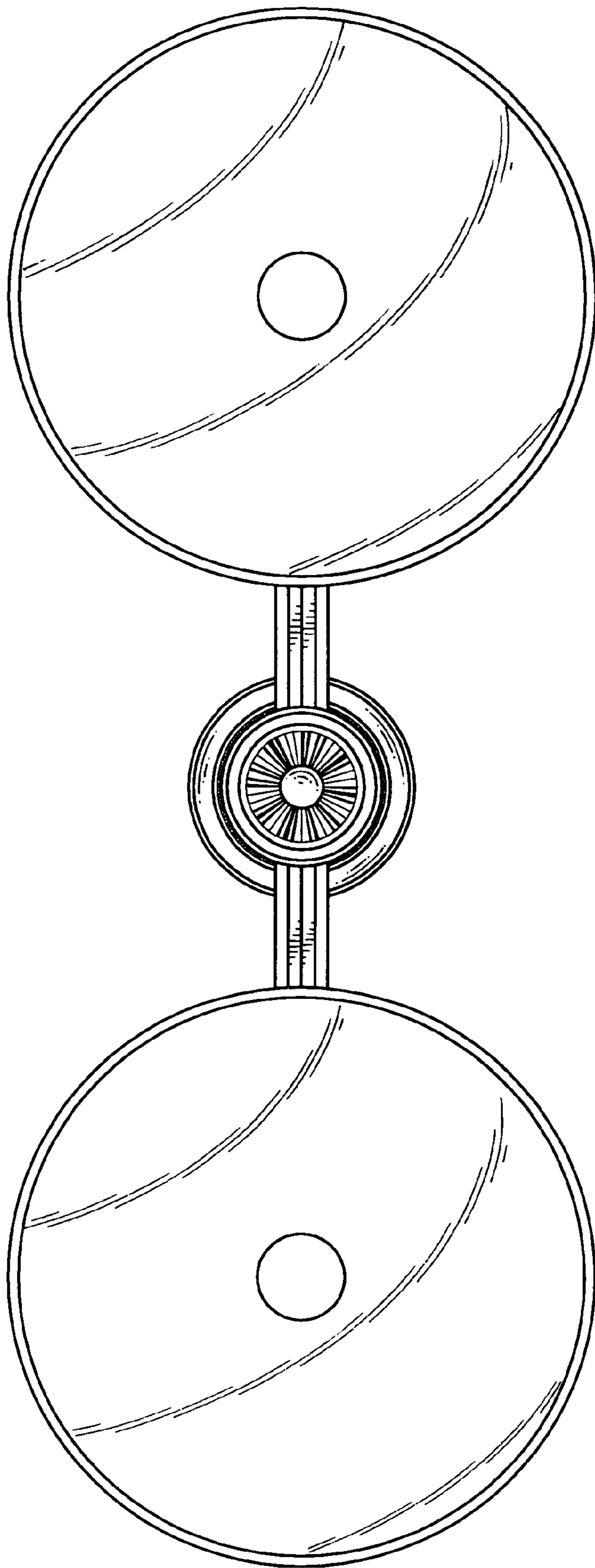


FIG. 5