



US00D441895S

(12) **United States Design Patent**
Orozco

(10) **Patent No.:** **US D441,895 S**

(45) **Date of Patent:** **** May 8, 2001**

(54) **LIGHT FIXTURE**

(75) Inventor: **Sergio J. Orozco**, West New York, NJ (US)

(73) Assignee: **Quoizel, Inc.**, Goose Creek, SC (US)

(**) Term: **14 Years**

(21) Appl. No.: **29/125,425**

(22) Filed: **Jun. 23, 2000**

(51) **LOC (7) Cl.** **26-05**

(52) **U.S. Cl.** **D26/85**

(58) **Field of Search** D26/72, 80-92;
362/147, 404-408

(56) **References Cited**

PUBLICATIONS

Quoizel lighting catalog, 1990, p. 23, chandelier # QG 1217GA.*

* cited by examiner

Primary Examiner—Susan J. Lucas

(74) *Attorney, Agent, or Firm*—Nelson Mullins Riley & Scarborough

(57) **CLAIM**

The ornamental design of a light fixture, substantially as shown and described.

DESCRIPTION

FIG. 1 is a perspective view of a light fixture embodying the design of the present invention.

FIG. 2 is a front elevational view of the light fixture illustrated in FIG. 1.

FIG. 3 is a left side elevational view of the light fixture of FIG. 1.

FIG. 4 is a back elevational view of the light fixture of FIG. 1.

FIG. 5 is a top view of the light fixture of FIG. 1; and,

FIG. 6 is a bottom view of the light fixture of FIG. 1.

1 Claim, 6 Drawing Sheets

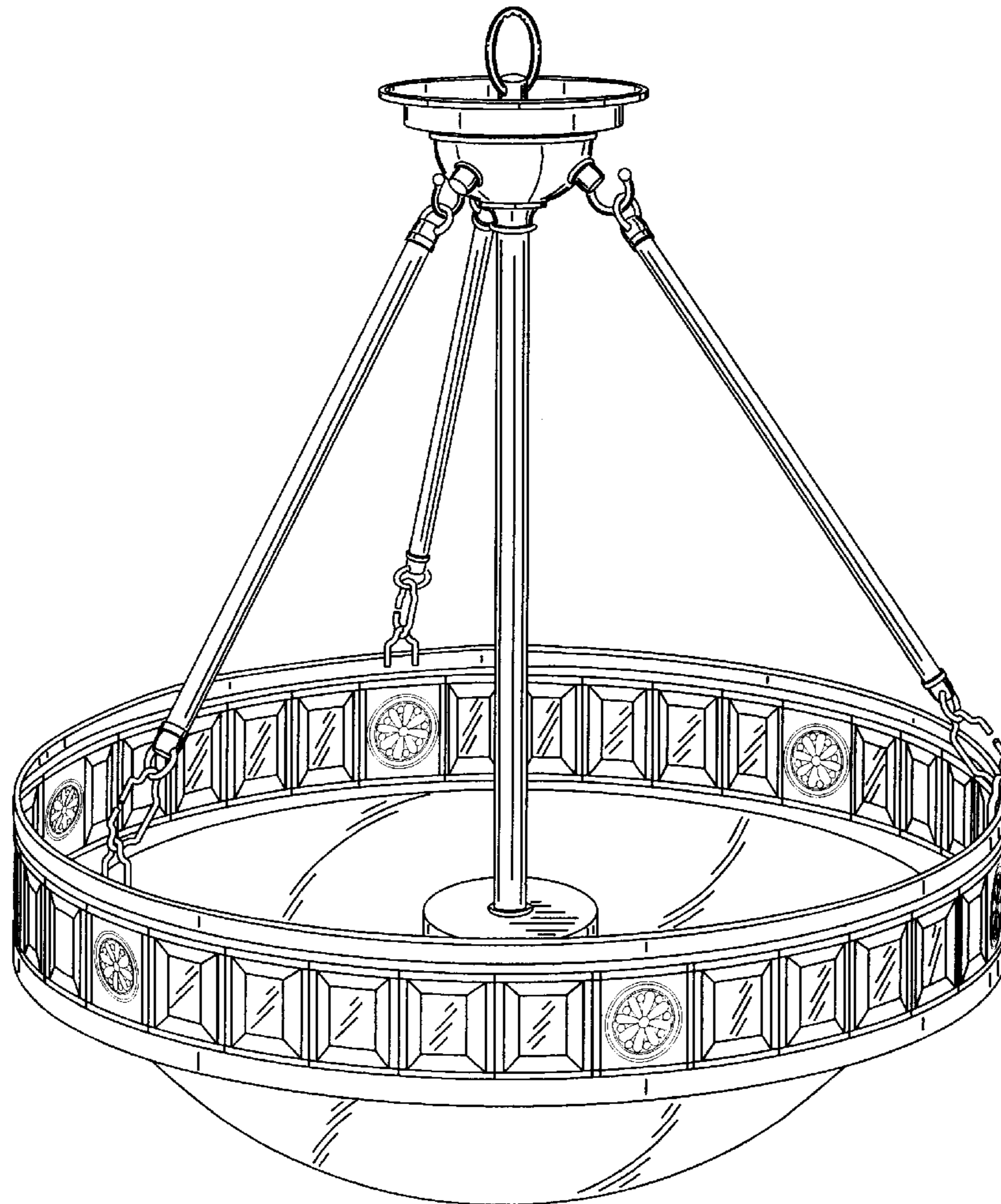


FIG. 1

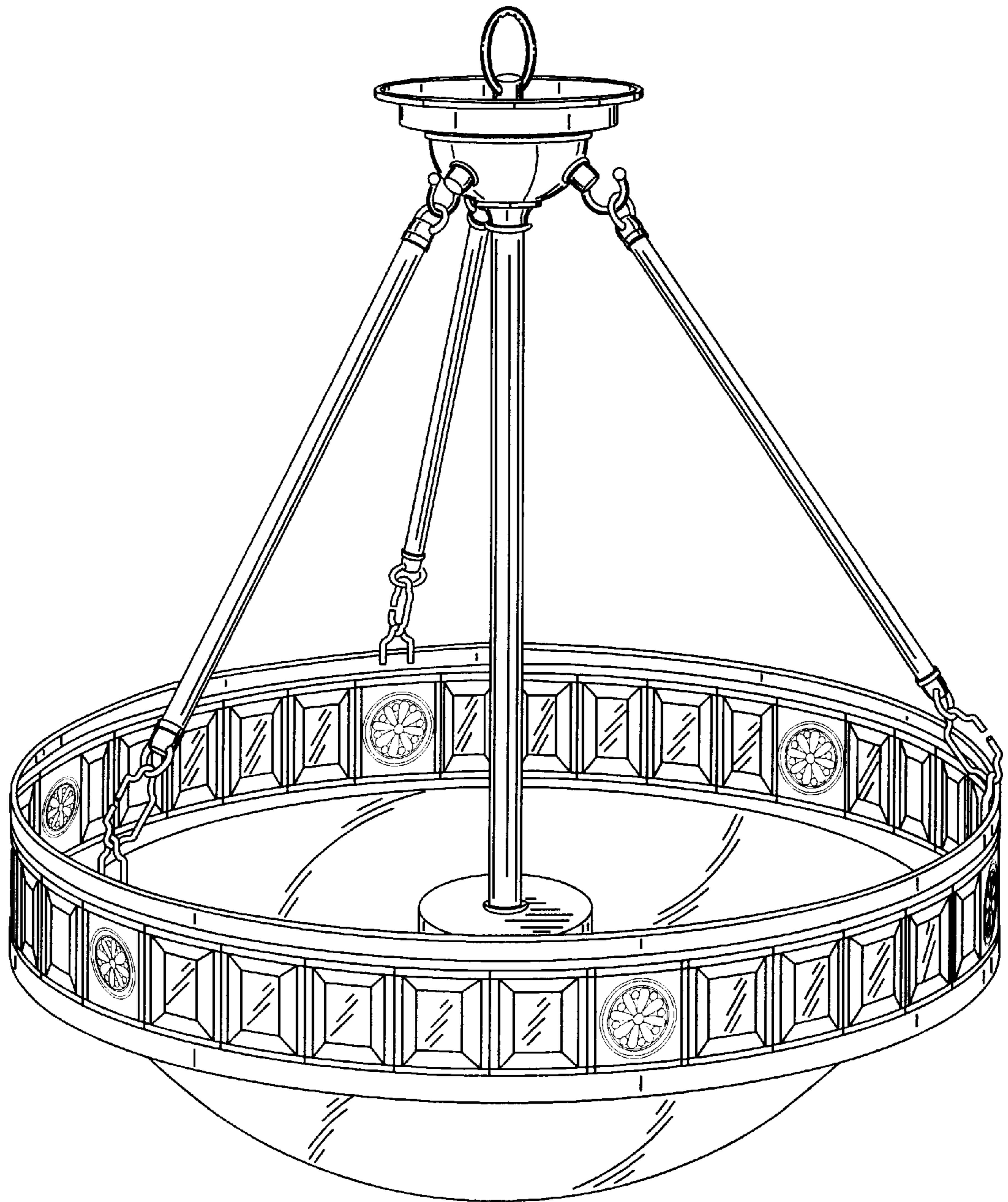


FIG. 2

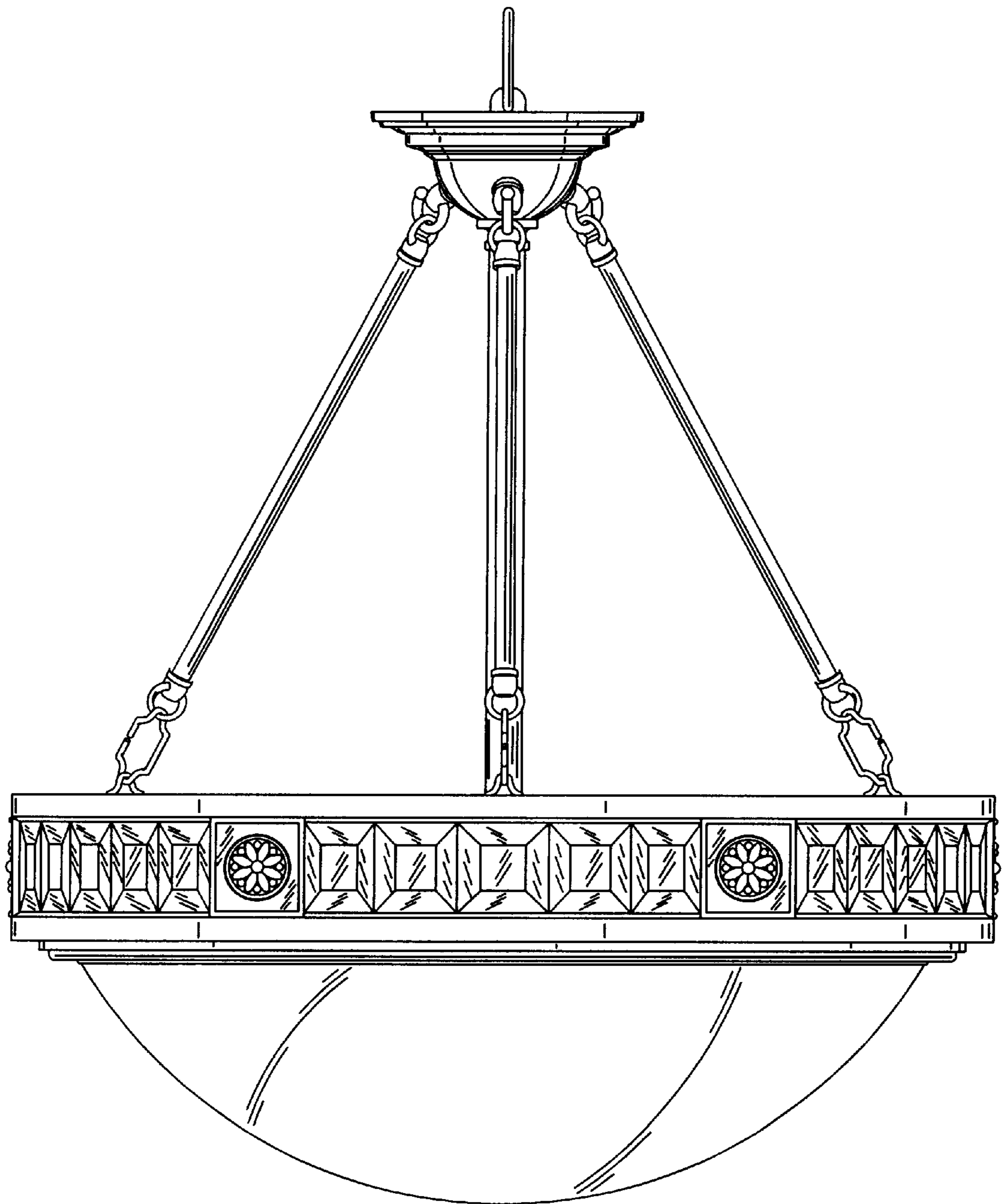


FIG. 3

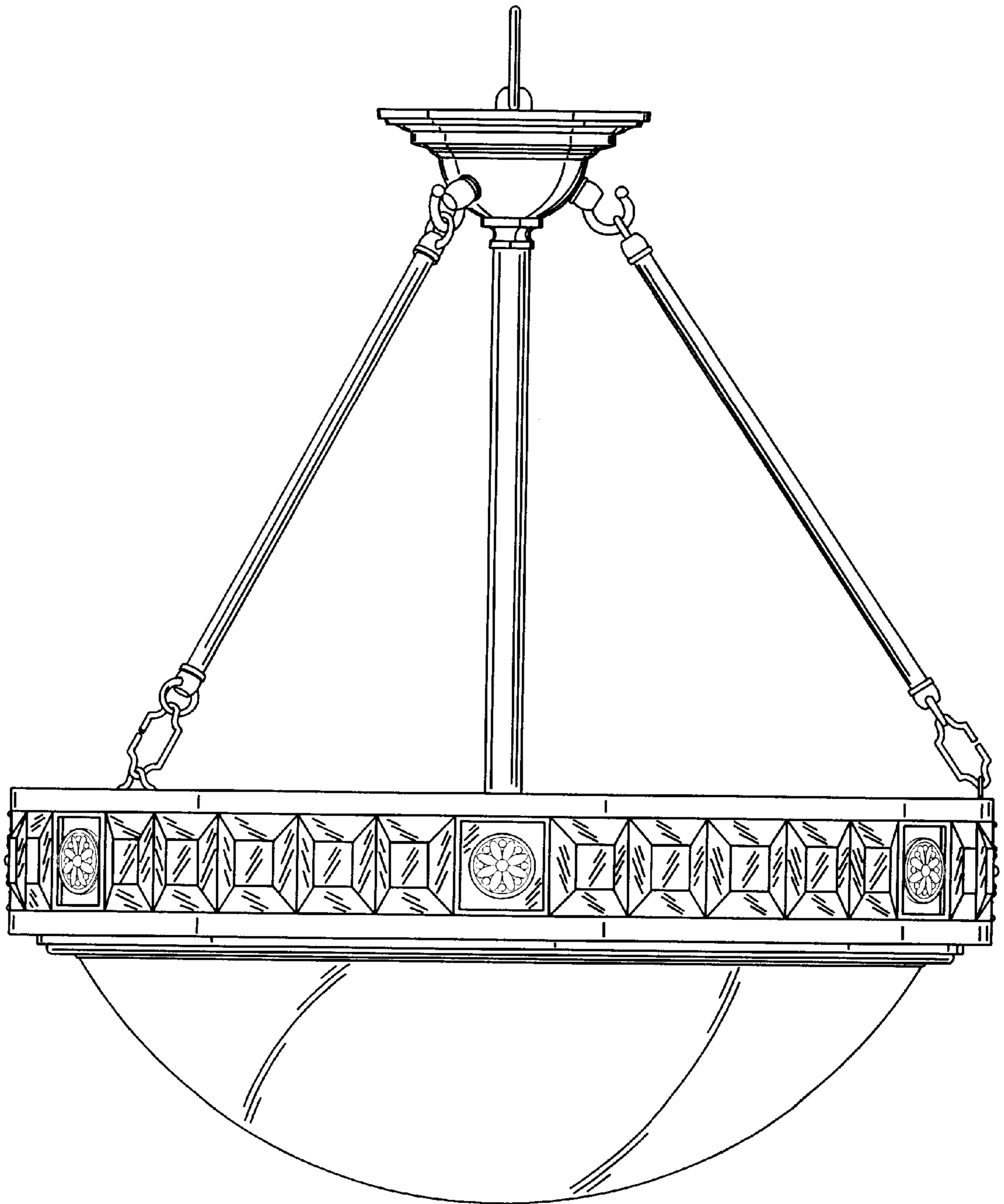


FIG. 4

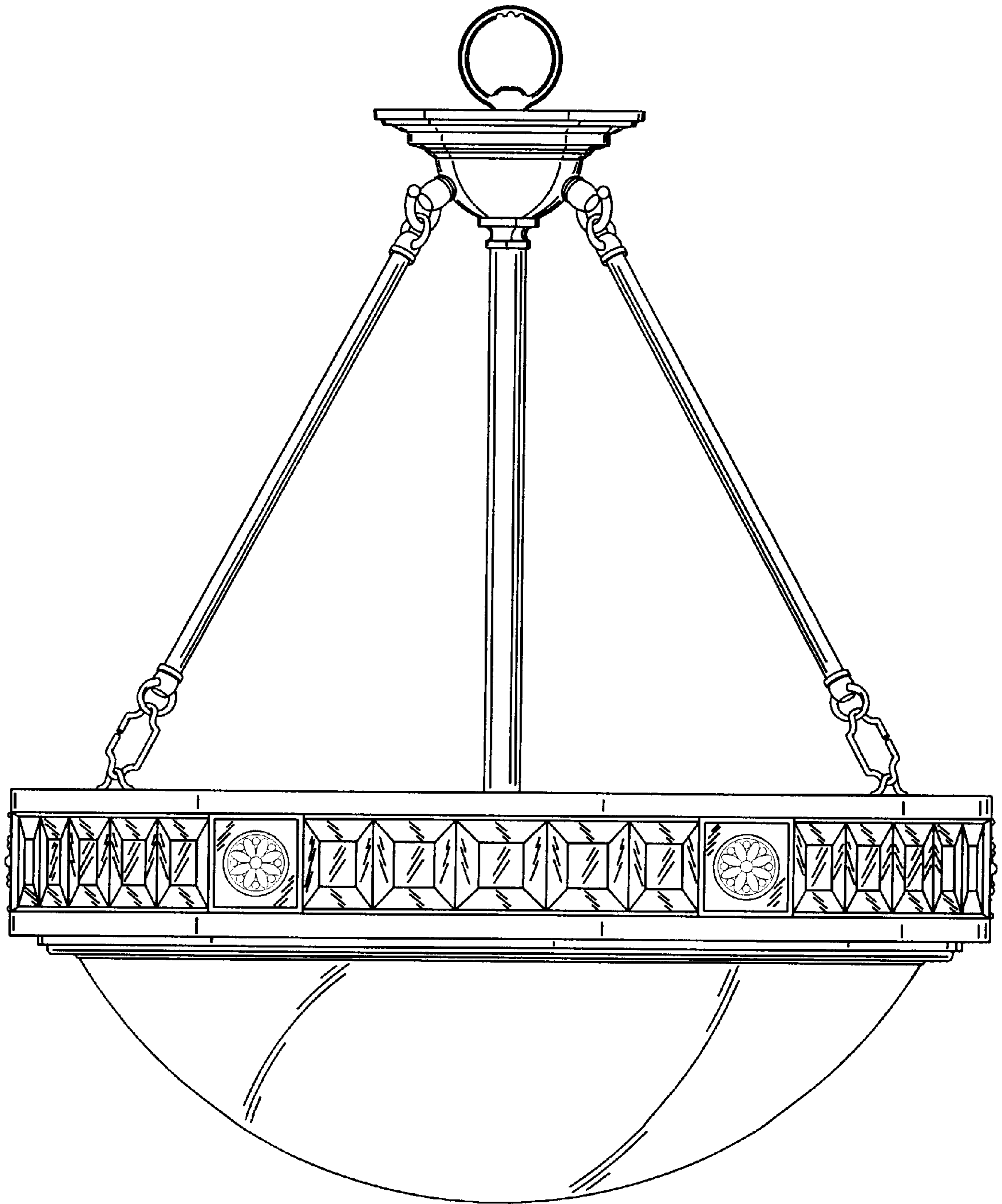


FIG. 5

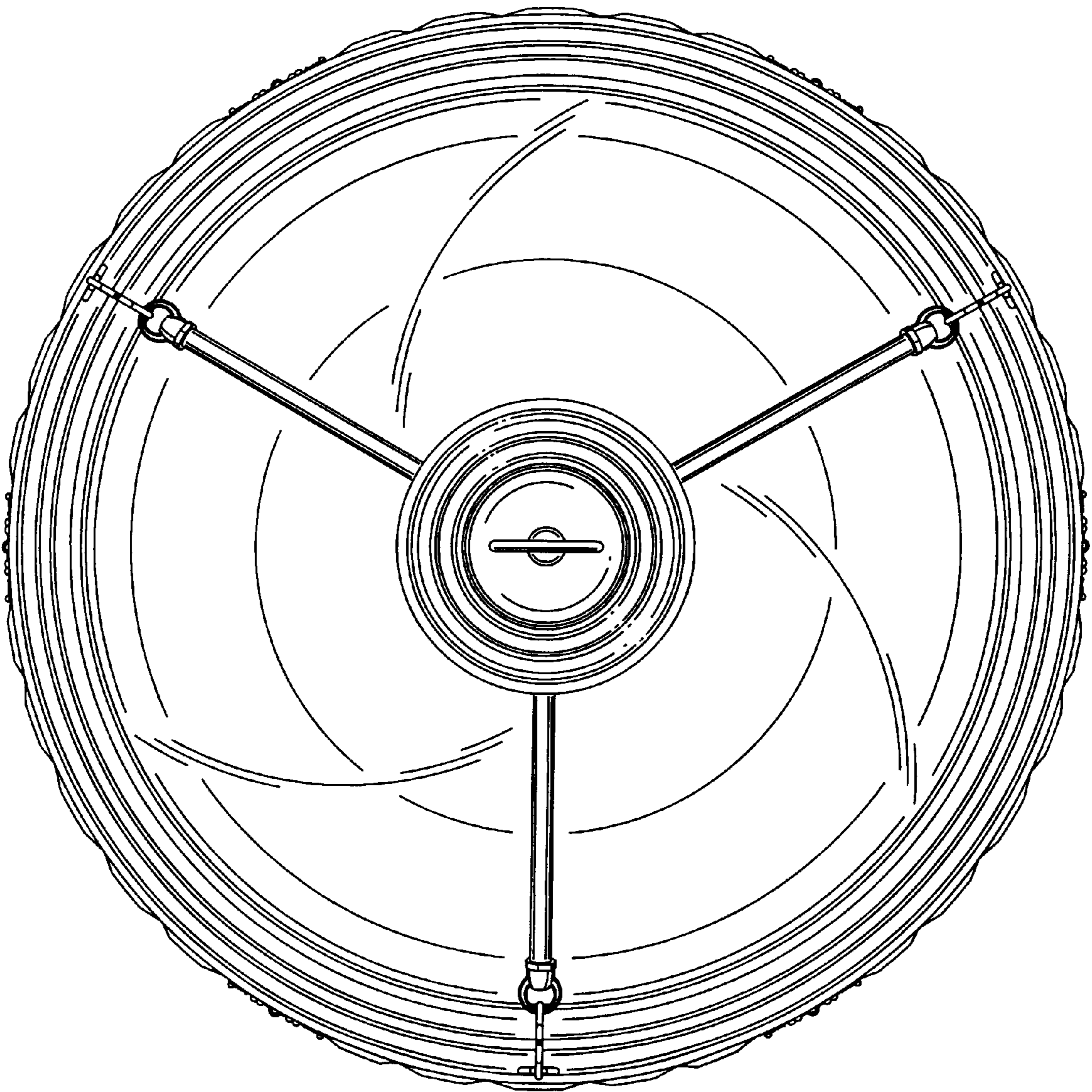


FIG. 6

