



US00D441893S

(12) **United States Design Patent**  
**Dolan**

(10) **Patent No.:** **US D441,893 S**

(45) **Date of Patent:** **\*\* May 8, 2001**

(54) **CHANDELIER**

(76) Inventor: **Patrick S. Dolan**, 1901 NW. Upshur,  
Portland, OR (US) 97209

(\*\*) Term: **14 Years**

(21) Appl. No.: **29/125,285**

(22) Filed: **Jun. 21, 2000**

(51) **LOC (7) Cl.** ..... **26-05**

(52) **U.S. Cl.** ..... **D26/84; D26/142**

(58) **Field of Search** ..... **D26/72, 80-92,**  
**D26/142; 362/147, 404-408**

(56) **References Cited**

**U.S. PATENT DOCUMENTS**

D. 404,162	*	1/1999	Dolan	.....	D26/84
D. 429,358	*	8/2000	Dolan	.....	D26/84
D. 431,087	*	9/2000	Dolan	.....	D26/81
D. 431,089	*	9/2000	Dolan	.....	D26/84

**OTHER PUBLICATIONS**

Kenroy Int'l, Jacksonville, FL, Catalog 1996, p. 51, Model 77050.

Elk Lighting, Summit Hill, PA, 1999 Catalog #9801, p. 46, Model 5784.

Elk Lighting, Summit Hill, PA, 1999 Catalog #9900, p. 25, Model 3685.

Elk Lighting, Summit Hill, PA, 1999 Catalog #9900, p. 18, Model 2403.

Elk, Coaldale, PA, Cat. 9600, 1996, Model 3431, p. 3.

Classic Lighting, Palm Coast, FL, Cat. 3594, 1994, p.2, Model 2429.

Forecast, Elgin, IL, Cat. 1999, P. 23, Model 159-57.

Georgian Art, Lawrenceville, GA, Cat 049325, 1993, p. 36, Model 60-1990.

H.A. Framburg, Bellwood, IL, Cat—A-96, 1996, p. 102, Model 8305.

\* cited by examiner

*Primary Examiner*—Susan J. Lucas

(57) **CLAIM**

The ornamental design for a chandelier, as shown and described.

**DESCRIPTION**

FIG. 1 is a perspective view thereof;

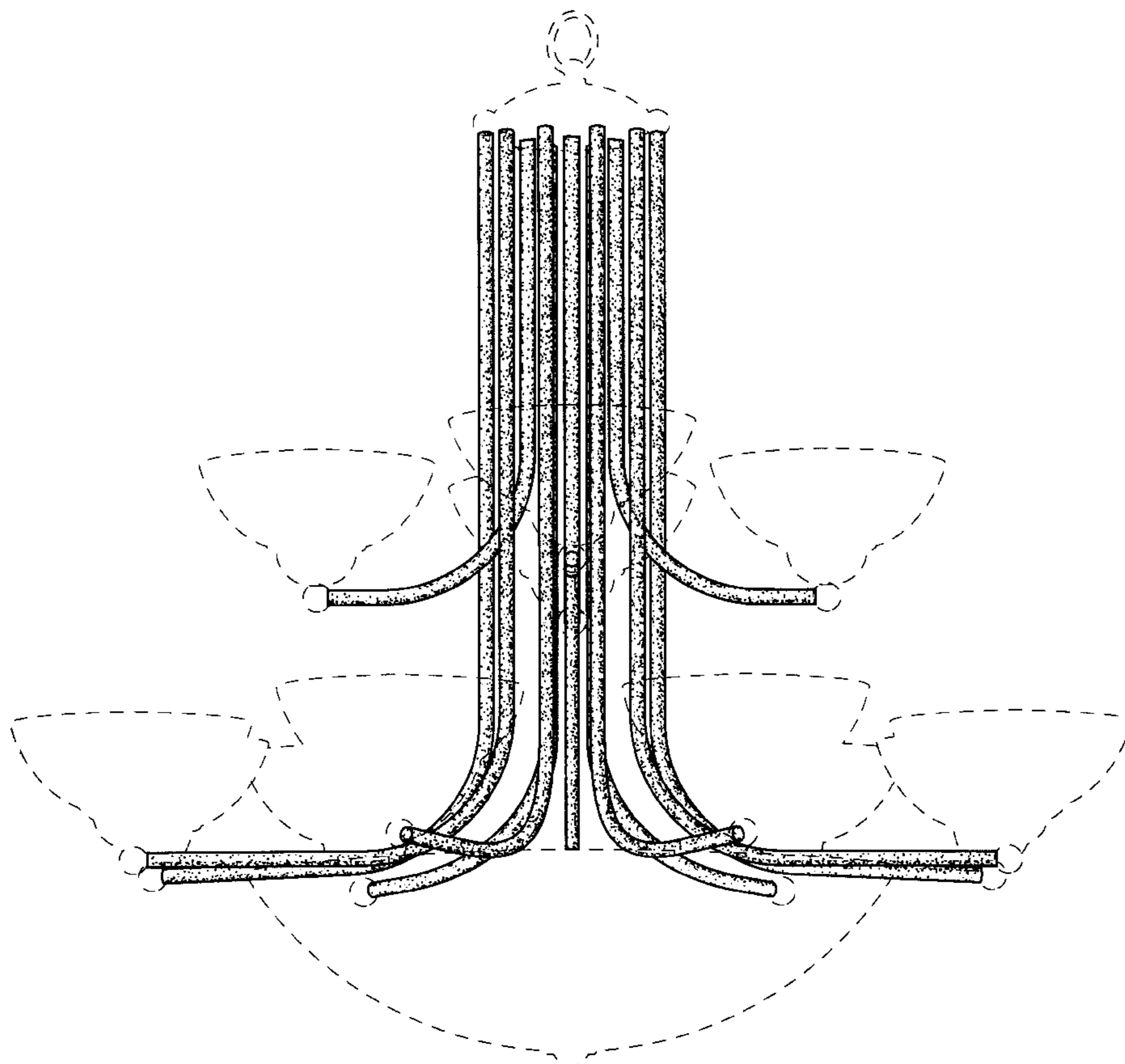
FIG. 2 is a front elevational view thereof, all sides being identical;

FIG. 3 is a top plan view thereof; and,

FIG. 4 is a bottom plan view thereof.

The broken lines shown in the drawing are environmental only and form no part of the claimed design.

**1 Claim, 4 Drawing Sheets**



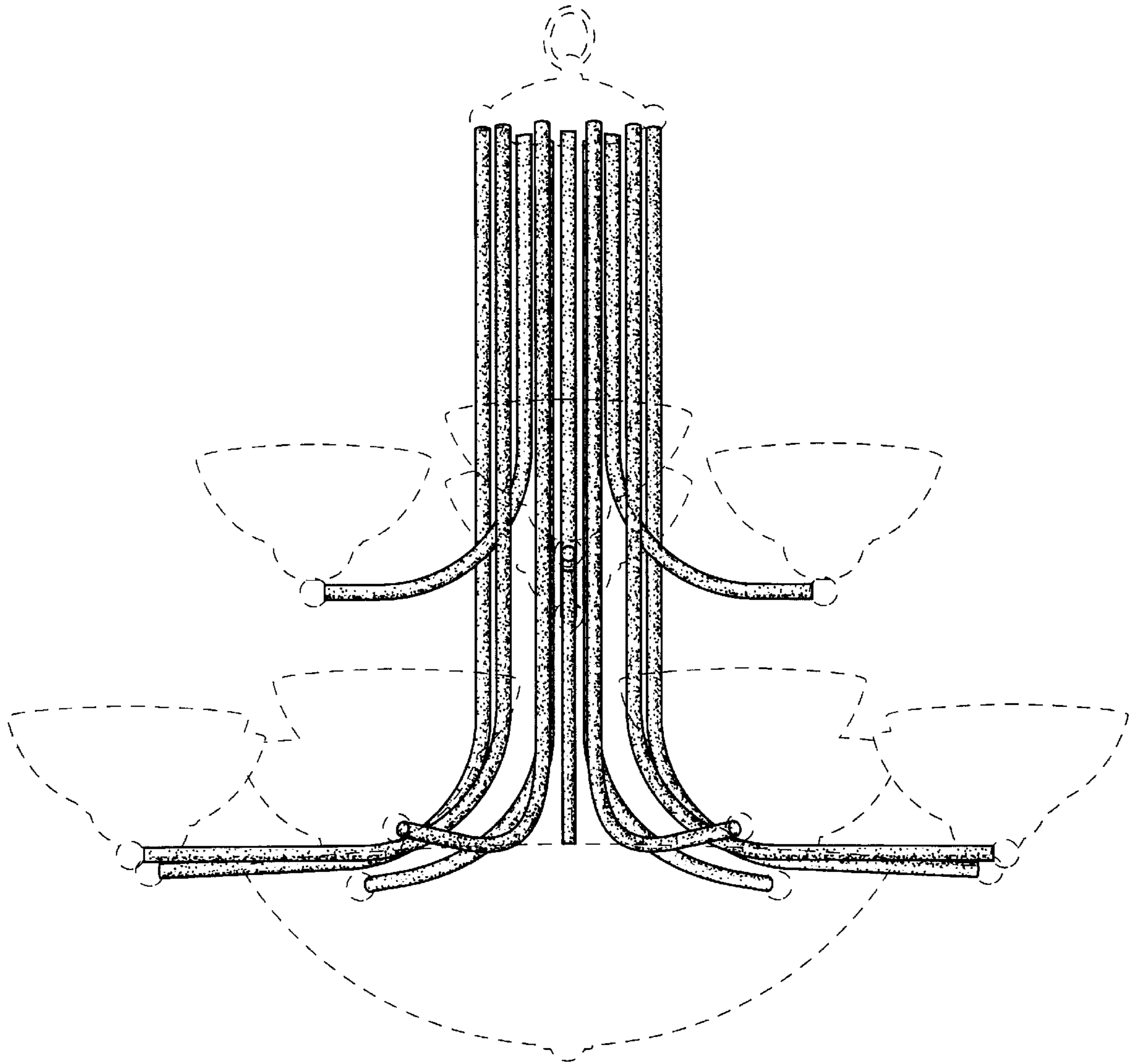


FIG. 1

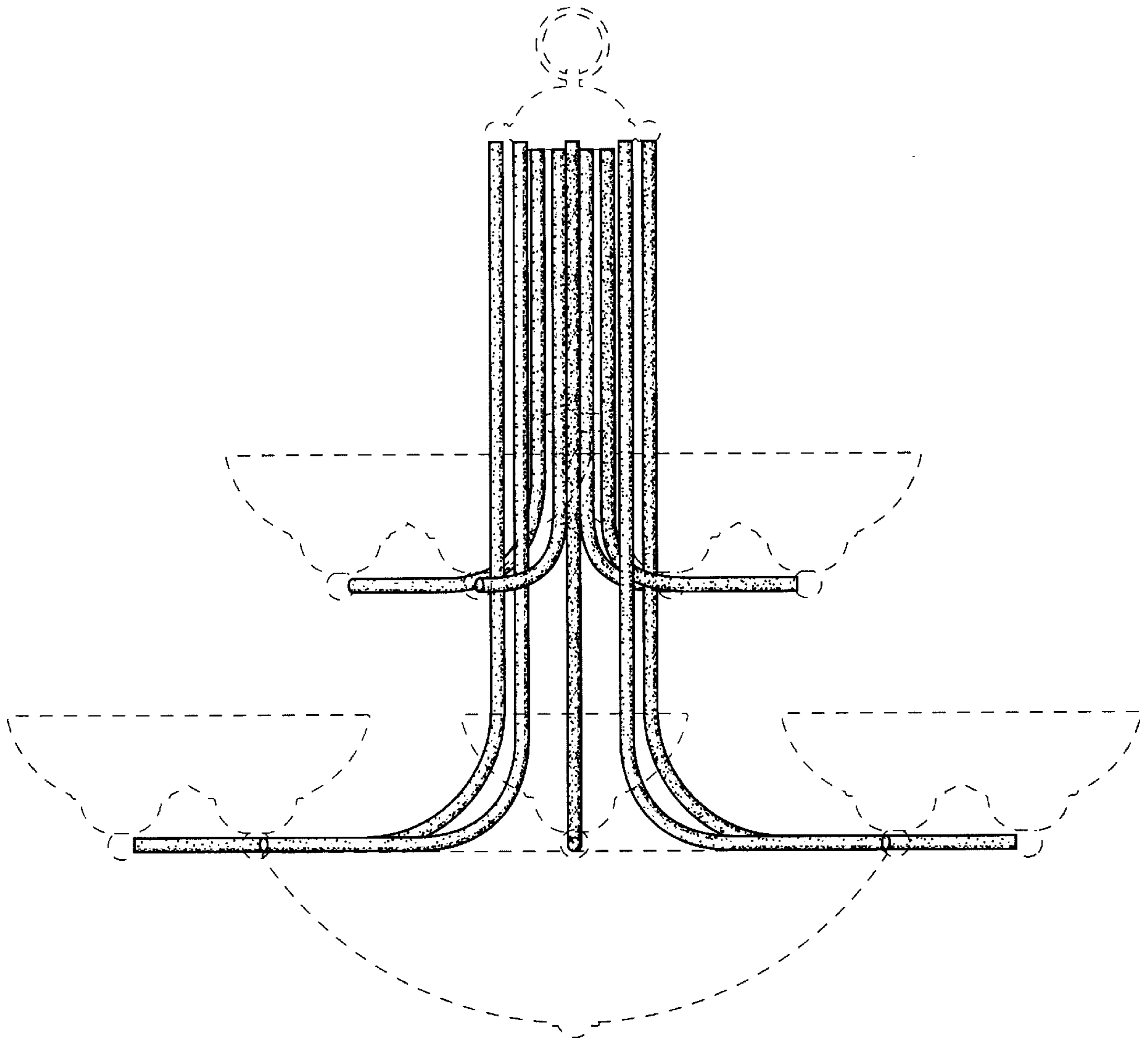


FIG. 2

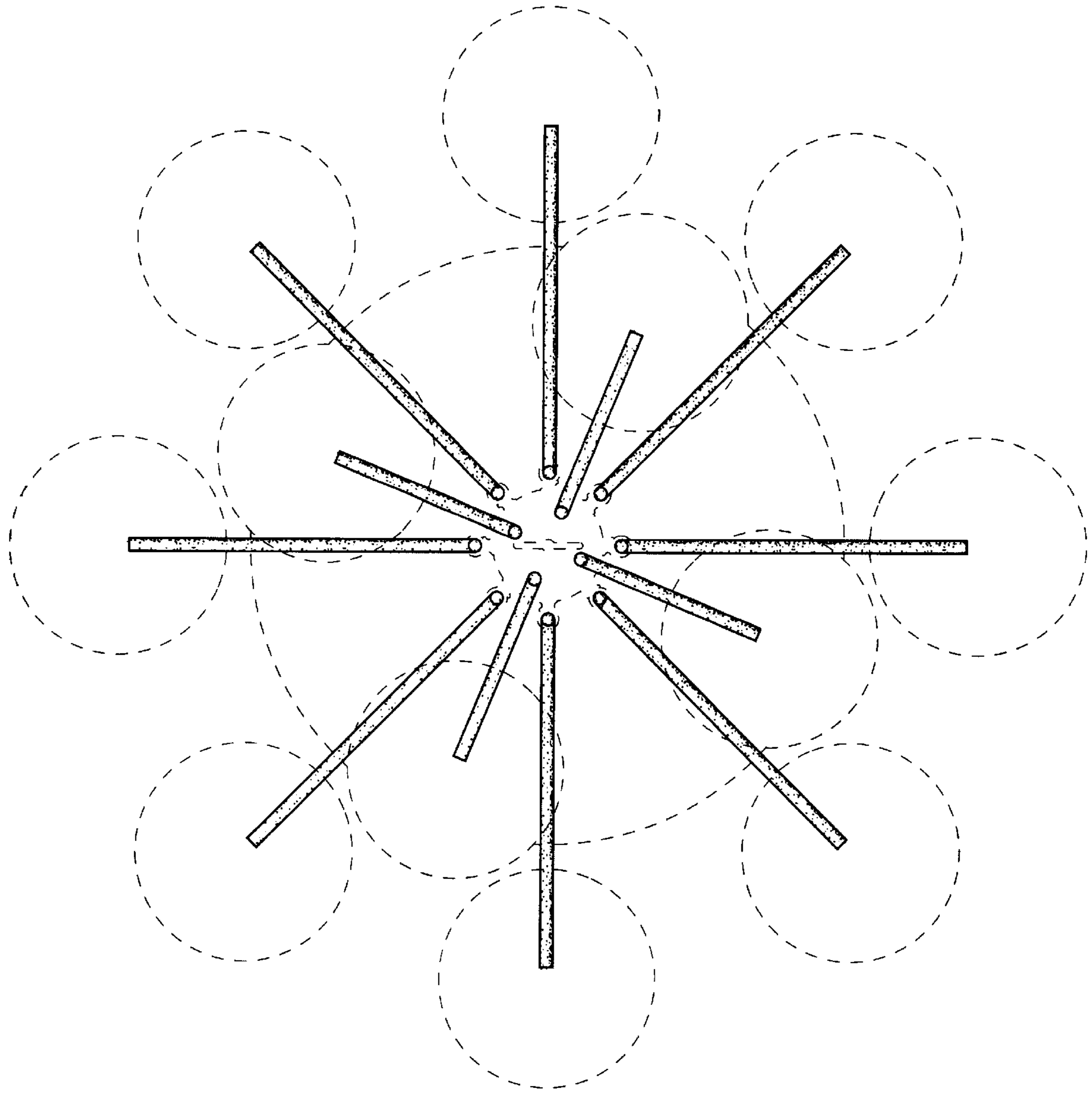


FIG. 3

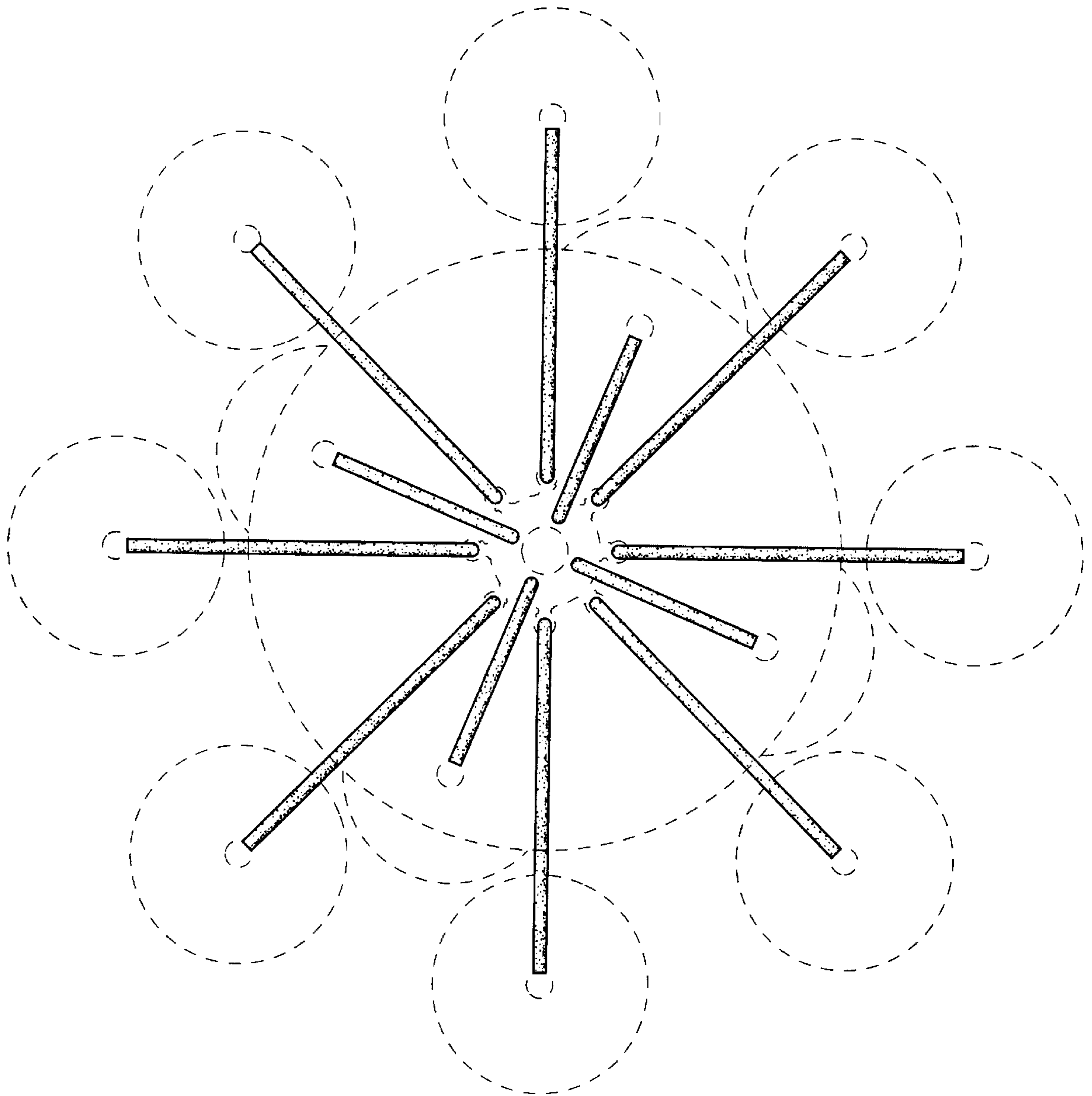


FIG. 4