



US00D441891S

(12) **United States Design Patent**
Herst et al.

(10) **Patent No.:** **US D441,891 S**

(45) **Date of Patent:** **** May 8, 2001**

(54) **LUMINAIRE HOUSING**

D. 405,908 2/1999 Herst et al. .

(75) Inventors: **Douglas J. Herst**, Ross; **Utkan Salman**, Oakland; **Peter Y. Y. Ngai**, Alamo, all of CA (US)

OTHER PUBLICATIONS

Peerless catalog, 9x3 Rounded Lightscreen Indirect/Open, 1995.

(73) Assignee: **NSI Enterprises, Inc.**, Atlanta, GA (US)

* cited by examiner

(**) Term: **14 Years**

Primary Examiner—Susan J. Lucas

(74) *Attorney, Agent, or Firm*—Donald L. Beeson

(21) Appl. No.: **29/118,462**

(57) **CLAIM**

(22) Filed: **Feb. 8, 2000**

The ornamental design for a luminaire housing, as shown and described.

(51) **LOC (7) Cl.** **26-05**

DESCRIPTION

(52) **U.S. Cl.** **D26/76**

(58) **Field of Search** D26/72, 75, 76, D26/77, 78, 80-92; 362/147, 404-408, 432

FIG. 1 is a bottom perspective view of a luminaire housing showing our new design;

FIG. 2 is an enlarged bottom plan view thereof;

FIG. 3 is an enlarged side elevational view thereof;

FIG. 4 is an enlarged top plan view thereof; and,

FIG. 5 is a further enlarged cross-sectional view thereof.

FIGS. 1-4 are broken away to indicate indeterminate length.

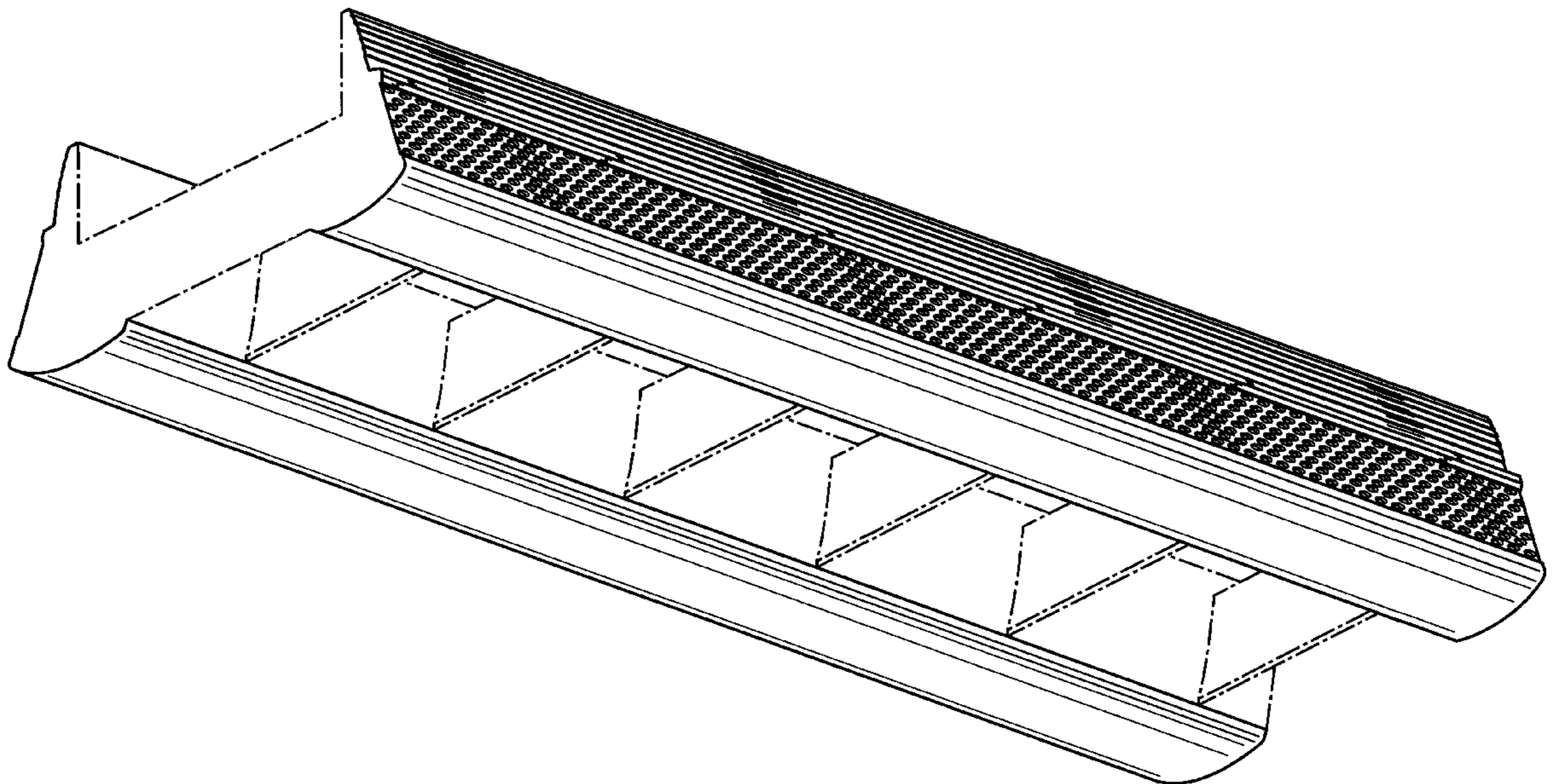
The broken lines are shown in FIGS. 1, 2, 4 and 5 for illustrative purposes only and indicate the nature and use of our new design.

(56) **References Cited**

U.S. PATENT DOCUMENTS

- D. 266,578 * 10/1982 Moshier D26/76 X
- D. 300,471 * 3/1989 Szymanik D26/76
- D. 308,259 * 5/1990 Bukarth D26/78
- D. 318,929 * 8/1991 Herst et al. D26/76
- D. 361,402 8/1995 Herst et al. .

1 Claim, 4 Drawing Sheets



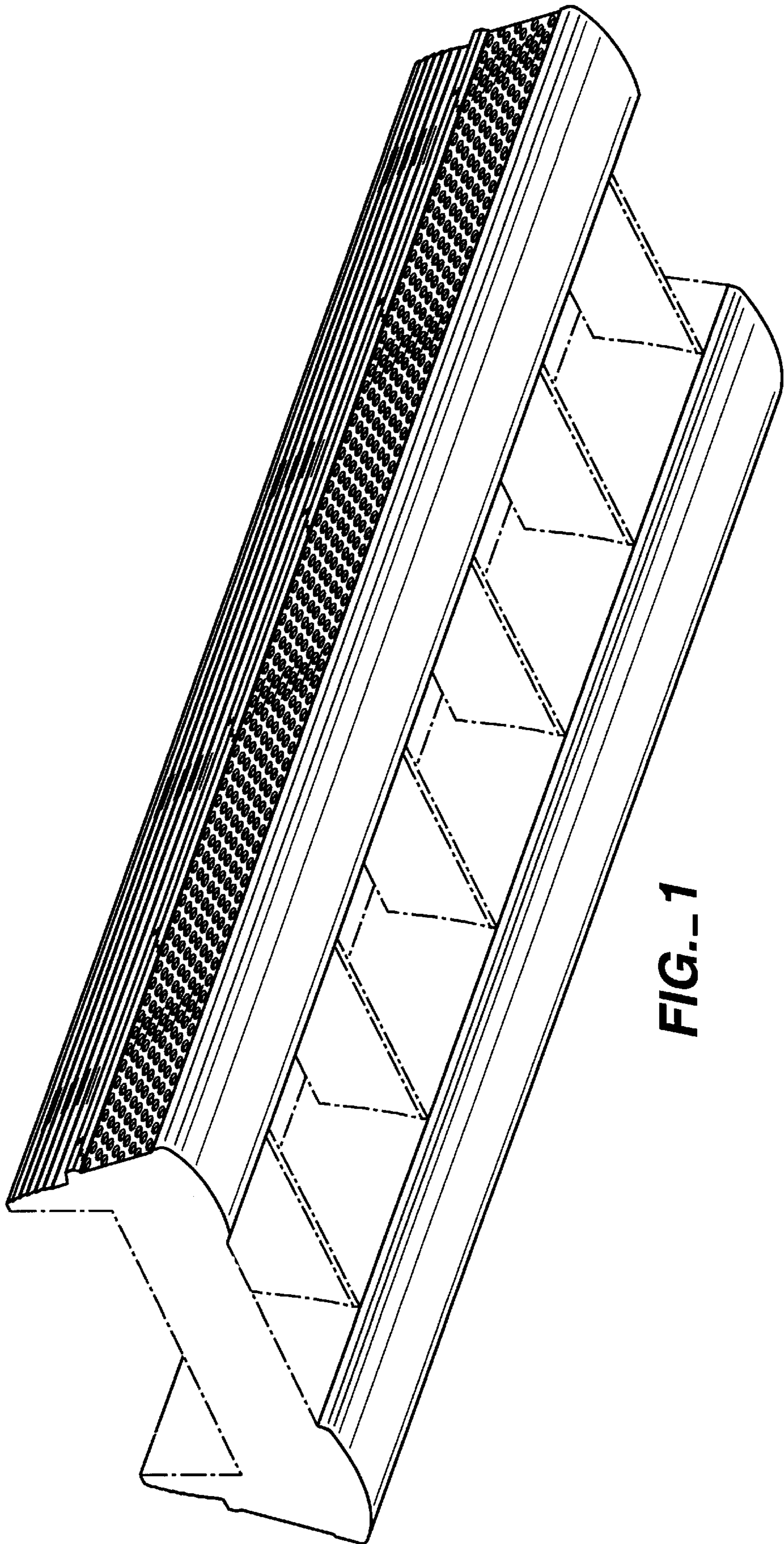


FIG.- 1

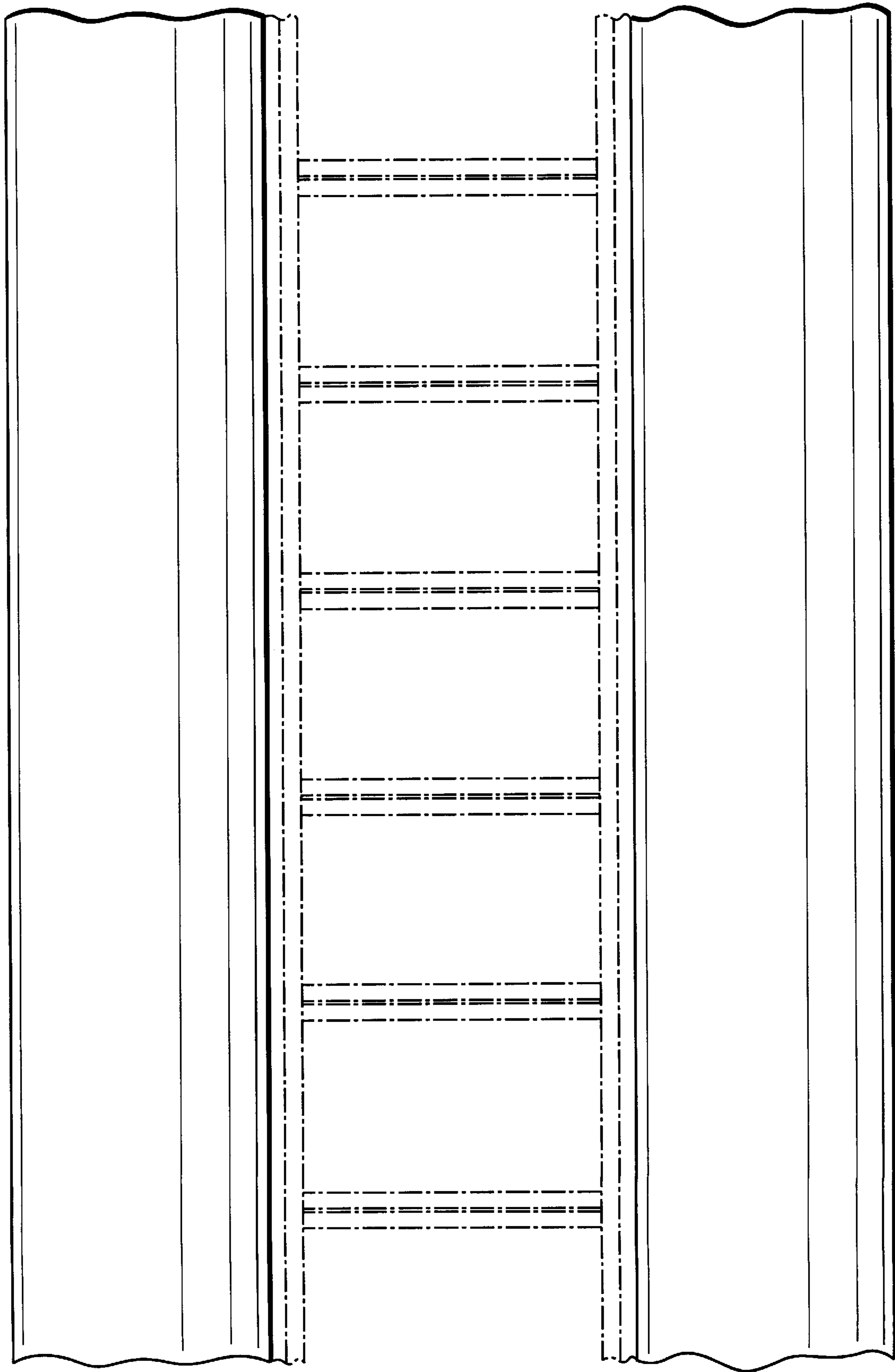


FIG.-2

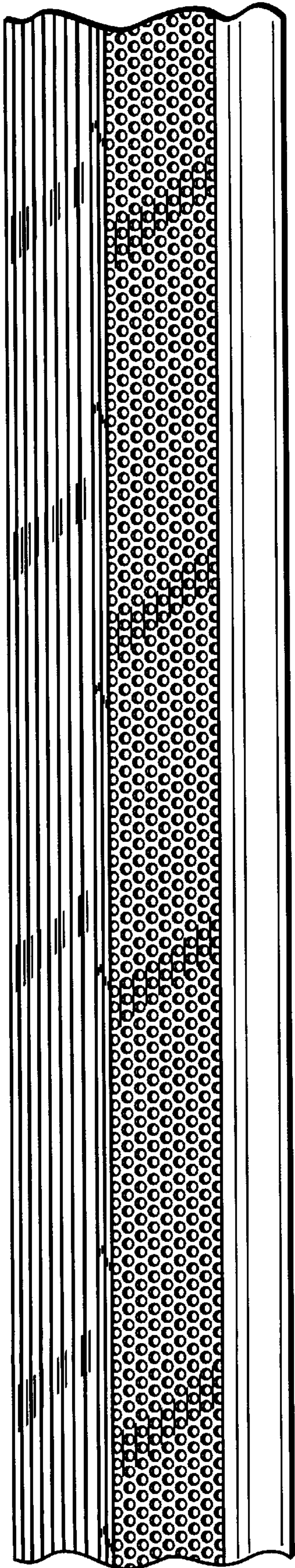


FIG. 3

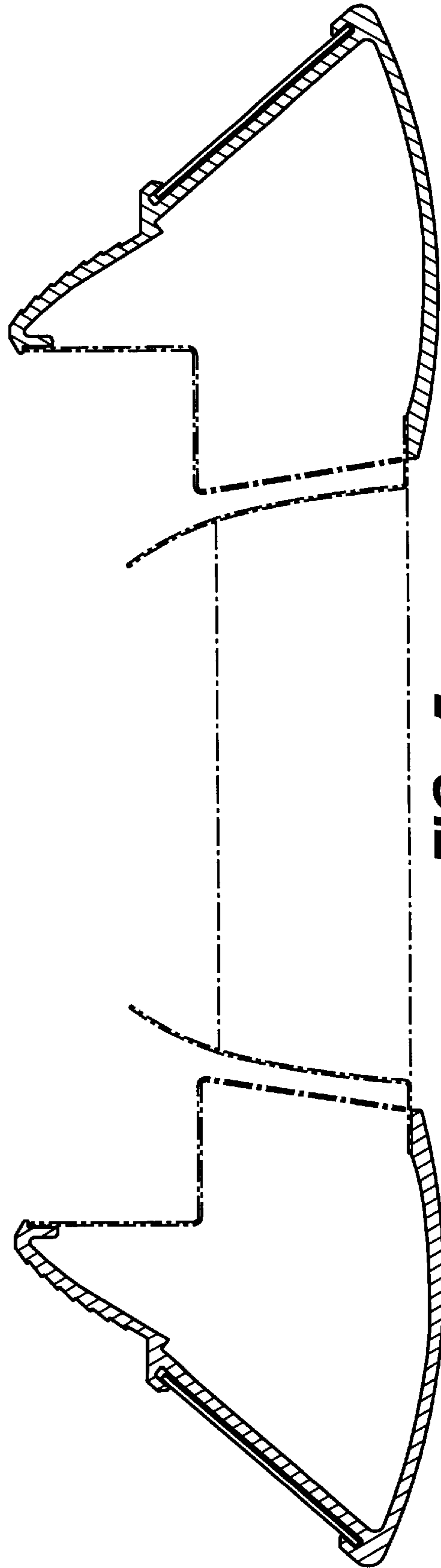


FIG. 5

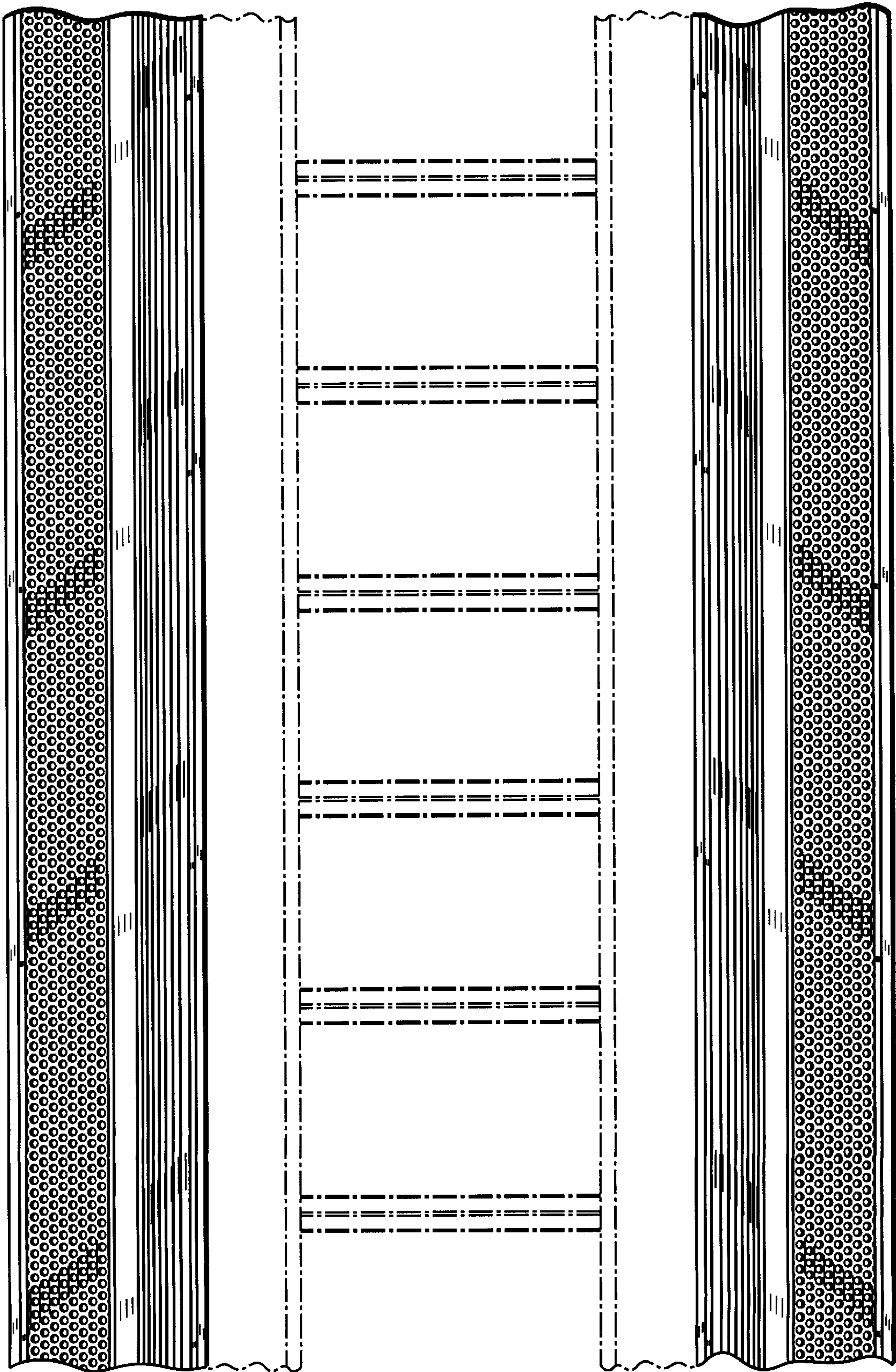


FIG.-4