



US00D441889S

(12) **United States Design Patent**
Austin

(10) **Patent No.:** **US D441,889 S**

(45) **Date of Patent:** **** May 8, 2001**

(54) **FLOODLIGHT**

D. 353,474 * 12/1994 Shyan D26/63
D. 411,025 * 6/1999 Rahn D26/63

(75) Inventor: **Kelvin John Austin**, Woodthorpe (GB)

* cited by examiner

(73) Assignee: **Abacus Holdings Limited** (GB)

Primary Examiner—Susan J. Lucas

(**) Term: **14 Years**

(74) *Attorney, Agent, or Firm*—Young & Basile, P.C.

(21) Appl. No.: **29/119,806**

(57) **CLAIM**

(22) Filed: **Mar. 7, 2000**

The ornamental design for a floodlight, as shown and described.

(30) **Foreign Application Priority Data**

DESCRIPTION

Sep. 7, 1999 (GB) 2086396

(51) **LOC (7) Cl.** **26-05**

FIG. 1 is a perspective view of the floodlight embodying the ornamental design constituting my invention;

(52) **U.S. Cl.** **D26/63**

FIG. 2 is a bottom plan view thereof;

(58) **Field of Search** D26/60-66; 362/267,
362/269, 277, 279, 281, 283, 284, 285,
410, 411, 427, 428, 429

FIG. 3 is a top plan view thereof;

FIG. 4 is a front elevational view thereof;

FIG. 5 is a rear elevational thereof; and,

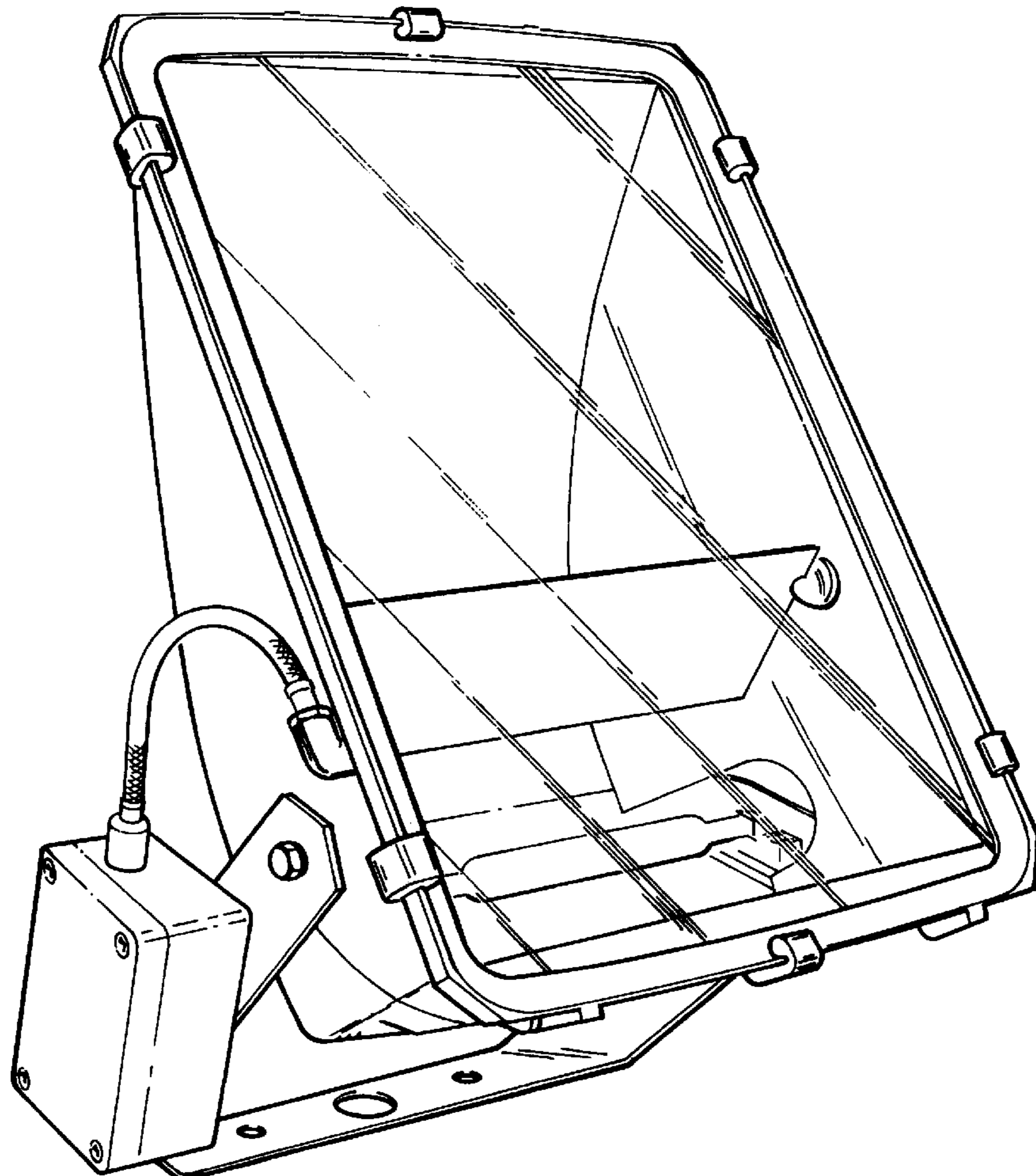
FIG. 6 is a right side elevational view thereof.

(56) **References Cited**

U.S. PATENT DOCUMENTS

D. 312,886 * 12/1990 Brown D26/63

1 Claim, 6 Drawing Sheets



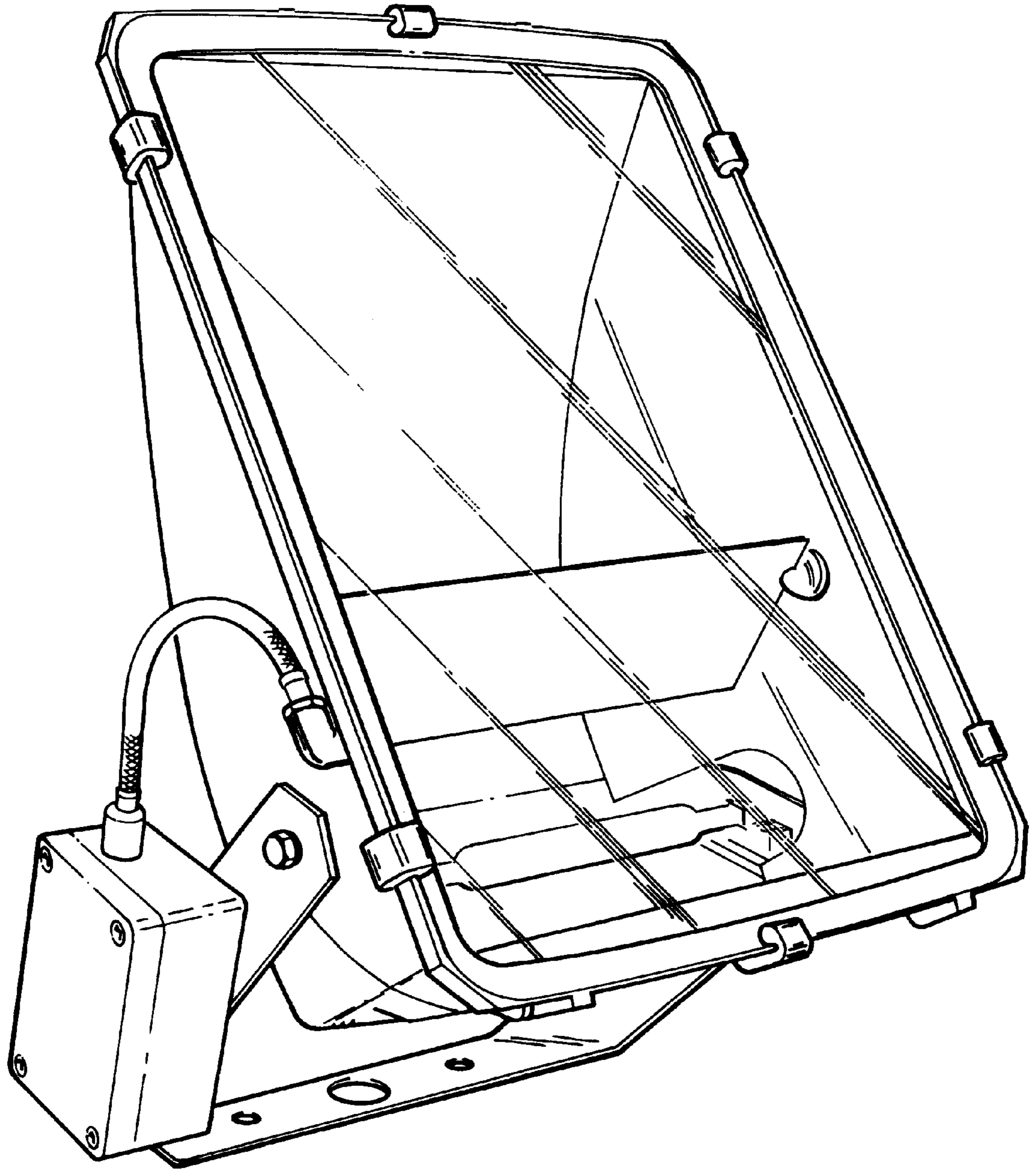


Fig. 1

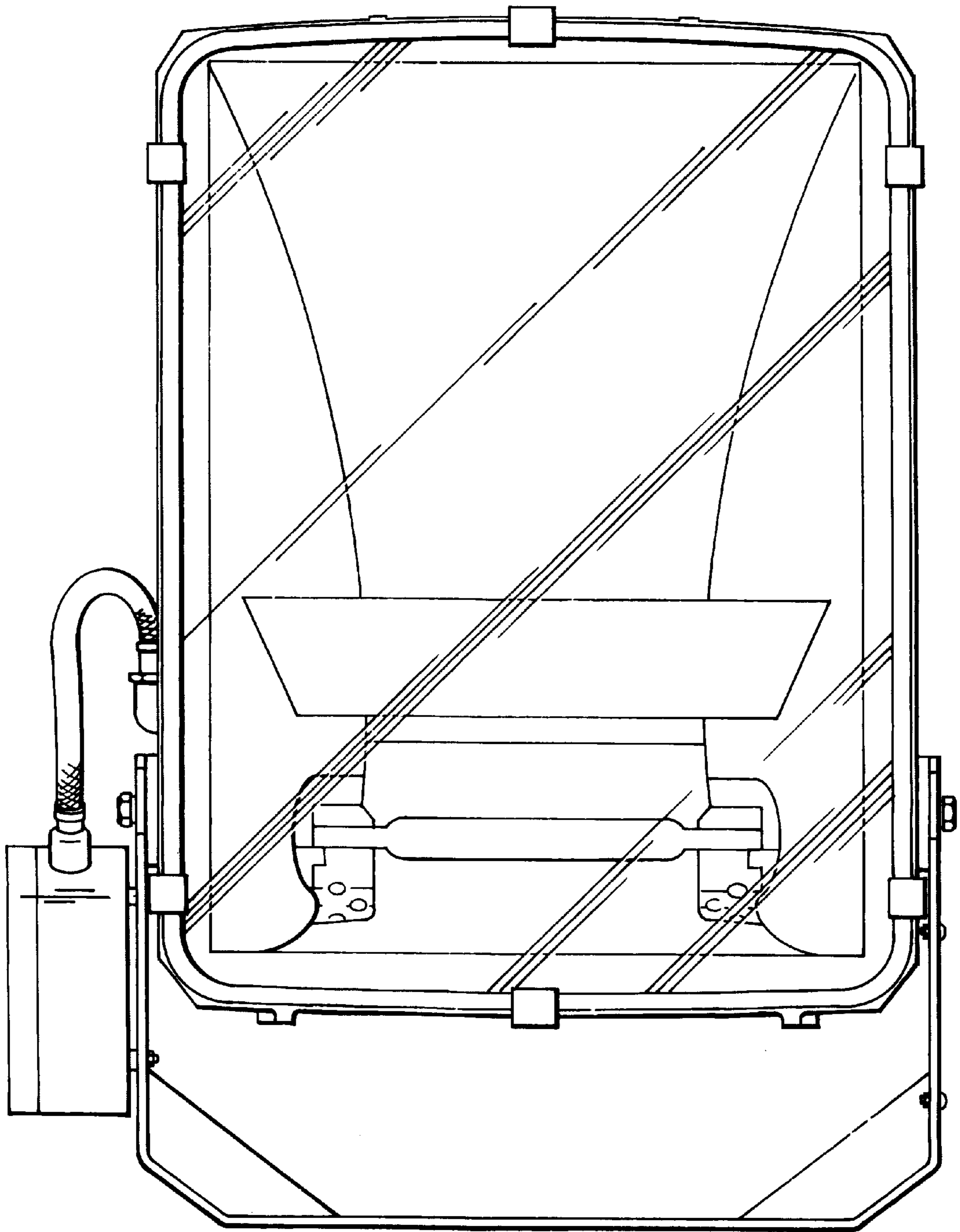


Fig.2

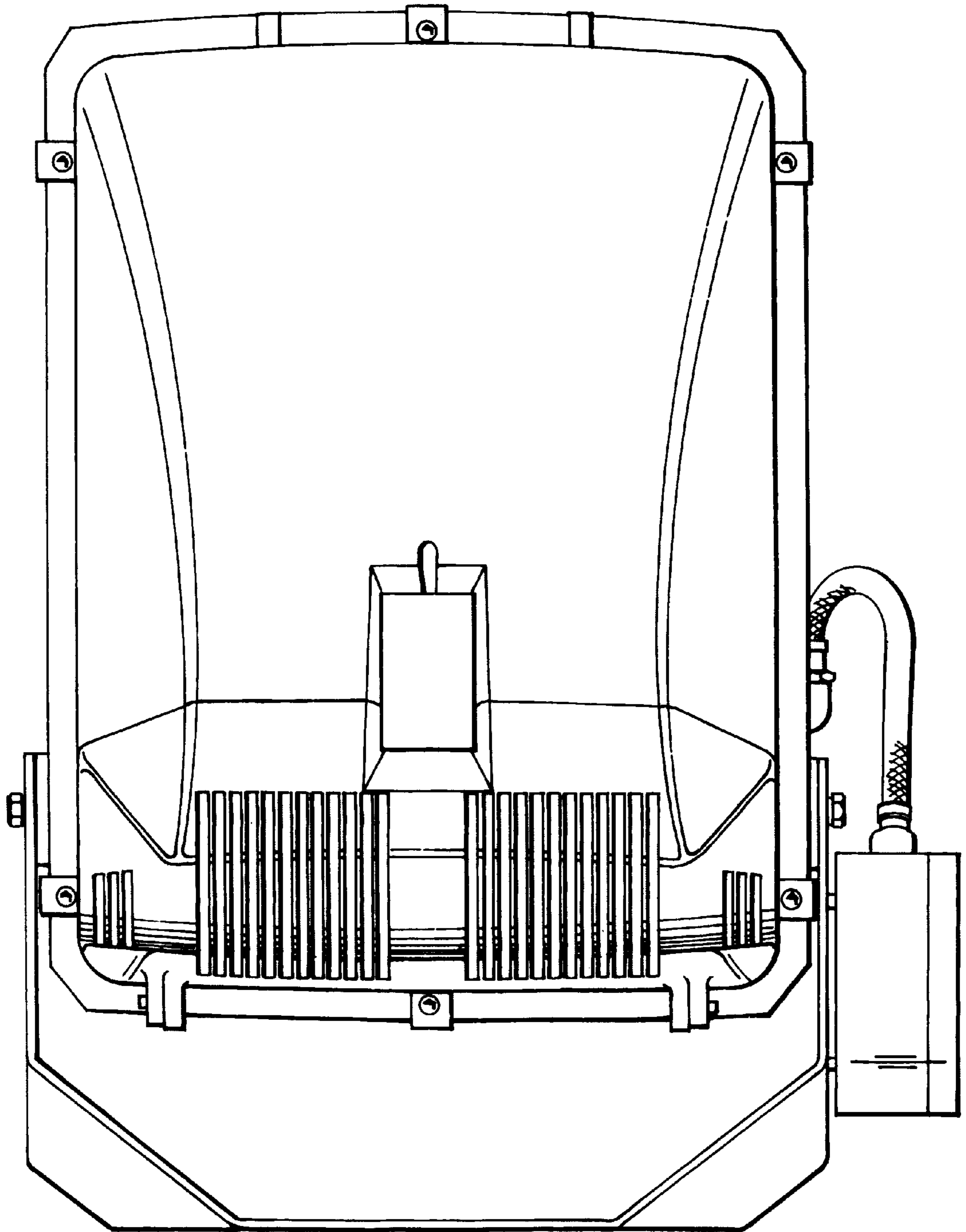


Fig.3

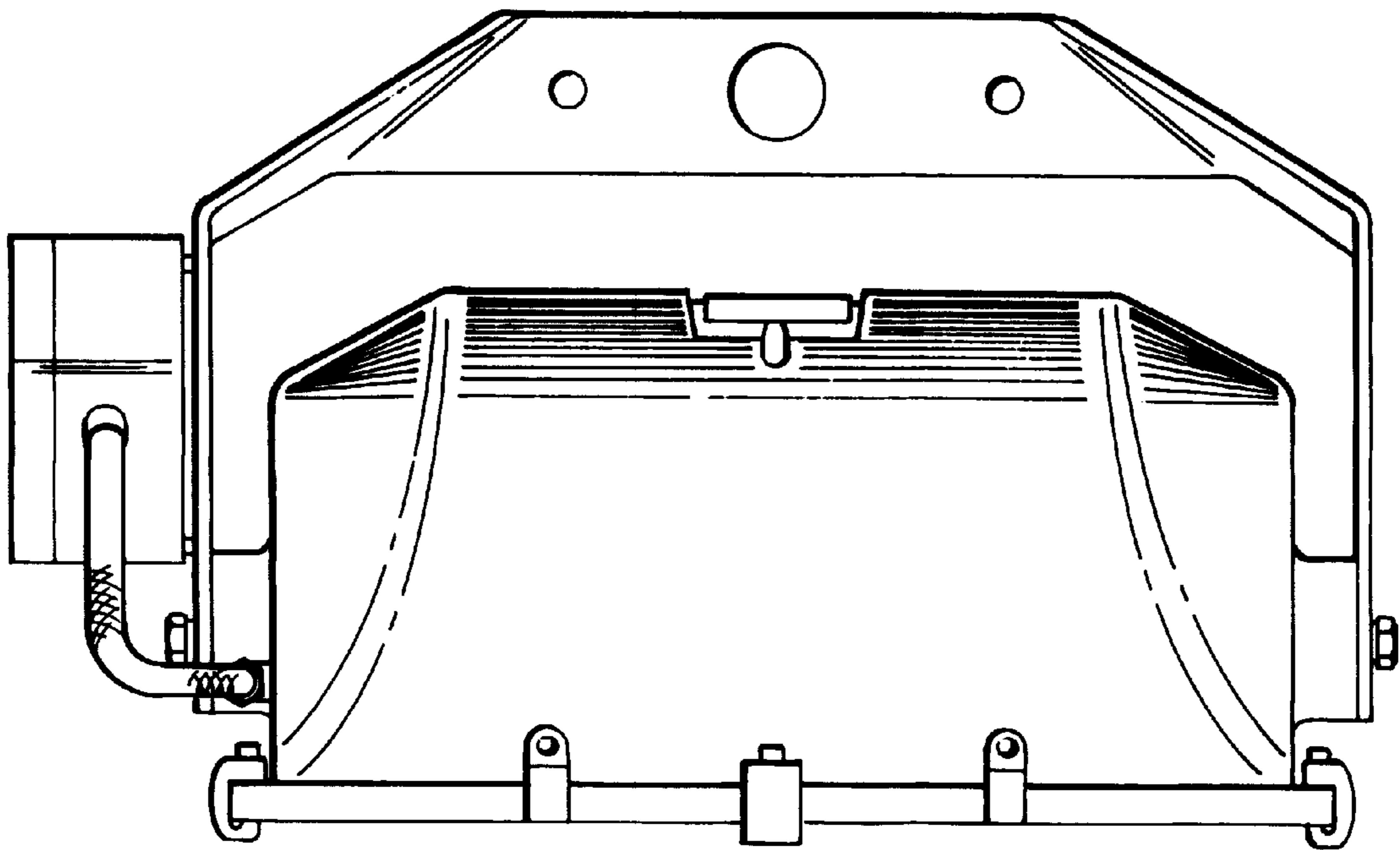


Fig.4

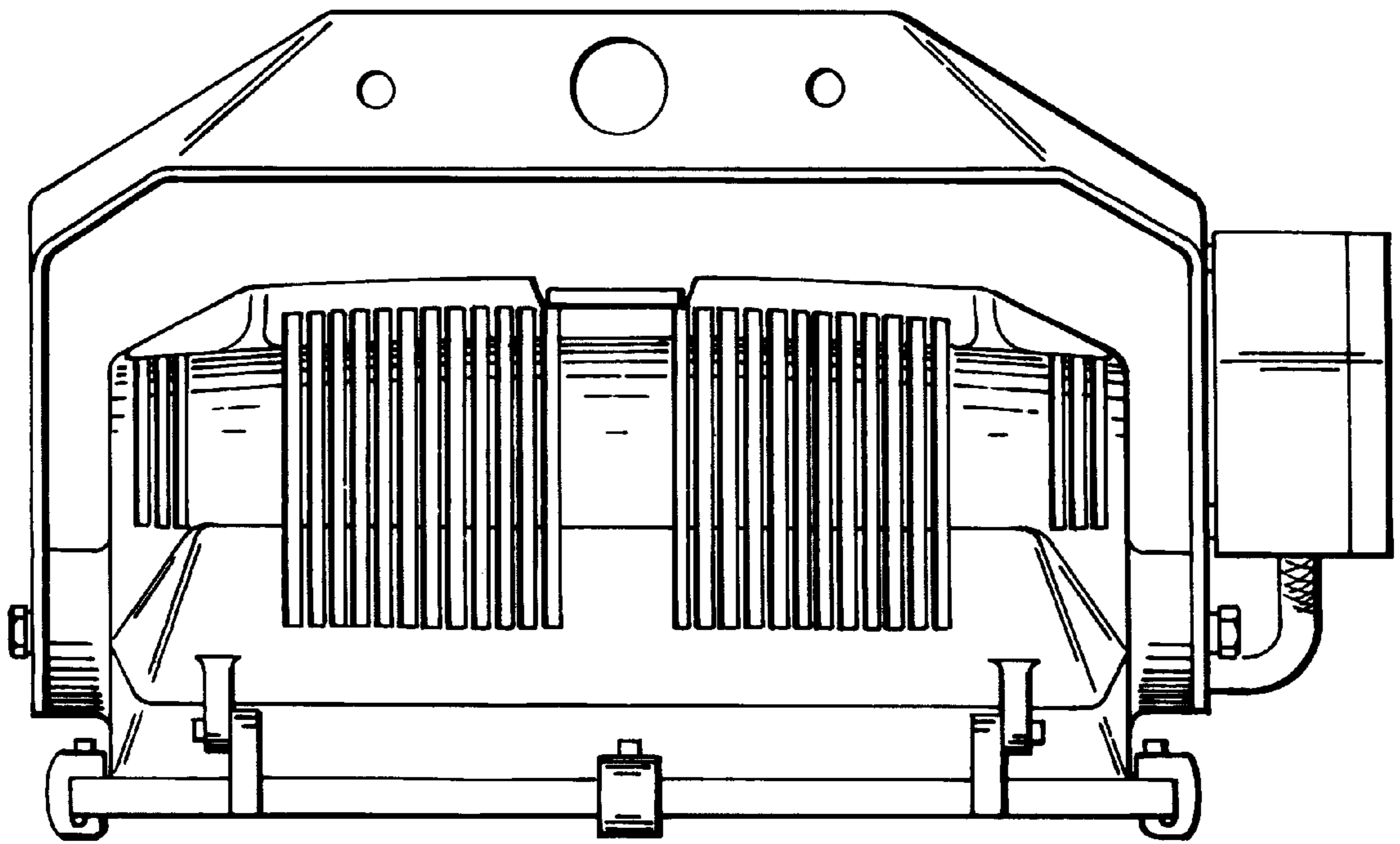


Fig.5

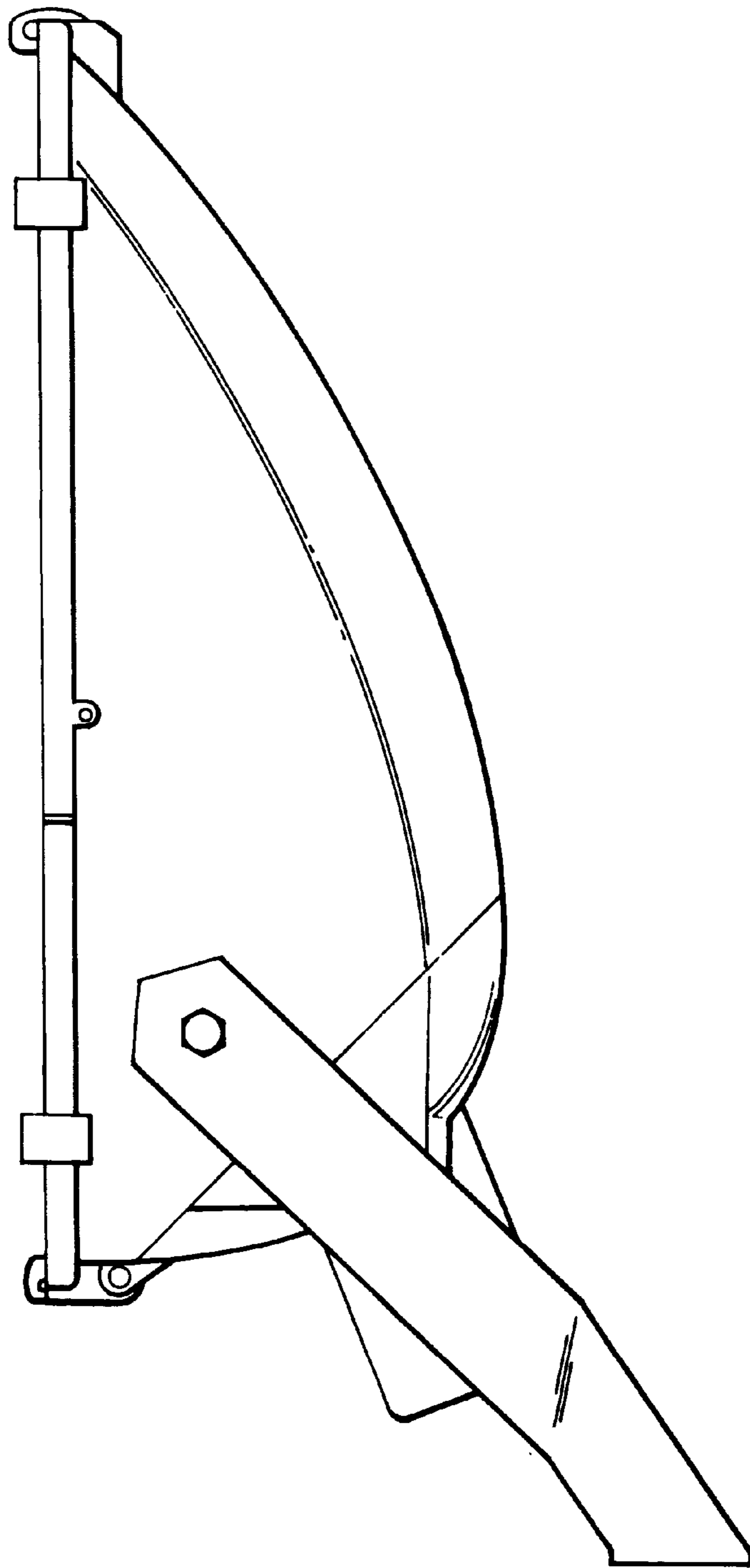


Fig. 6