



US00D441886S

(12) **United States Design Patent**
Beck

(10) **Patent No.:** **US D441,886 S**

(45) **Date of Patent:** **** May 8, 2001**

(54) **HEADBAND FOR MEDICAL OR SURGICAL USE**

(75) Inventor: **Christian Beck**, Erlangen (DE)

(73) Assignee: **Karl Storz GmbH & Co., KG** (DE)

(**) Term: **14 Years**

(21) Appl. No.: **29/117,552**

(22) Filed: **Jan. 26, 2000**

(30) **Foreign Application Priority Data**

Jul. 26, 1999 (DE) 4 99 07 392

(51) **LOC (7) Cl.** **26-02**

(52) **U.S. Cl.** **D26/39; D24/231**

(58) **Field of Search** D24/231, 137,
D24/138; D26/39; 600/249; 362/105, 804,
106, 572

(56) **References Cited**

U.S. PATENT DOCUMENTS

- D. 398,403 * 9/1998 Bishop et al. D24/231
- D. 406,371 * 3/1999 Bel D26/39
- 3,285,242 * 11/1966 Wallace 362/105
- 4,593,683 * 6/1986 Blaha 600/249

OTHER PUBLICATIONS

Codman Surgical Products Catalog "Fiberoptics Headlights" p. F-5 @ 1992 Ex room.*

* cited by examiner

Primary Examiner—Ian Simmons
(74) *Attorney, Agent, or Firm*—St. Onge Steward Johnston & Reens LLC

(57) **CLAIM**

The ornamental design for a headband for medical or surgical use, as shown and described.

DESCRIPTION

FIGS. 1 through 7 show an embodiment of a headband which can be worn on the head of a physician or surgeon. The headband comprises a first band which, in the worn state, surrounds substantially horizontally the head of the person, whereas a second band, which is affixed to the first band, extends between two side parts of the first band and, in the worn state, comes to lie on the head of the person. The use of this headband is to carry a lamp or a camera, for example, in head position of the physician or the surgeon.

FIG. 1 is a rear perspective view of a headband for medical or surgical use showing my new design;

FIG. 2 is a front perspective view thereof;

FIG. 3 is a top plan view thereof;

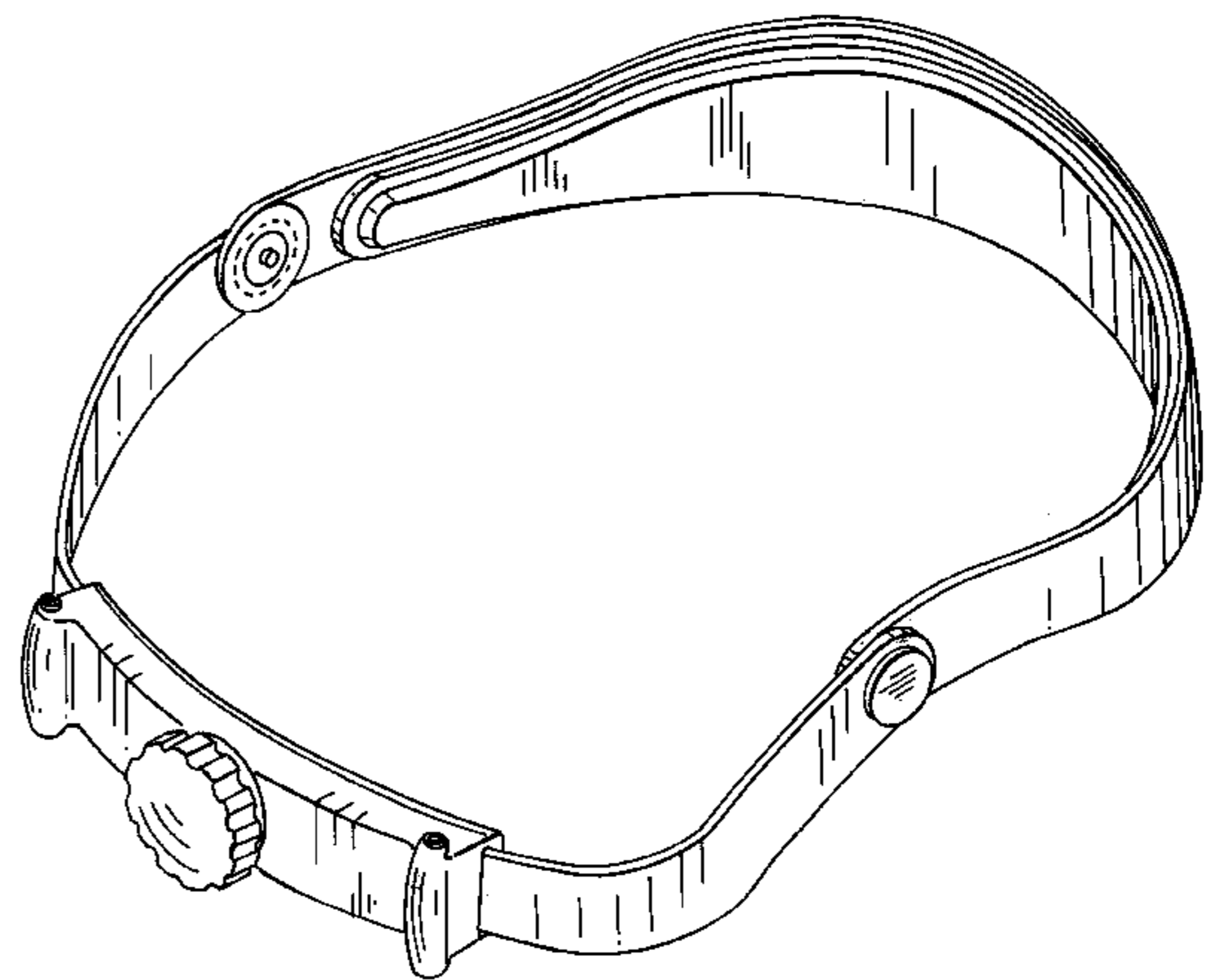
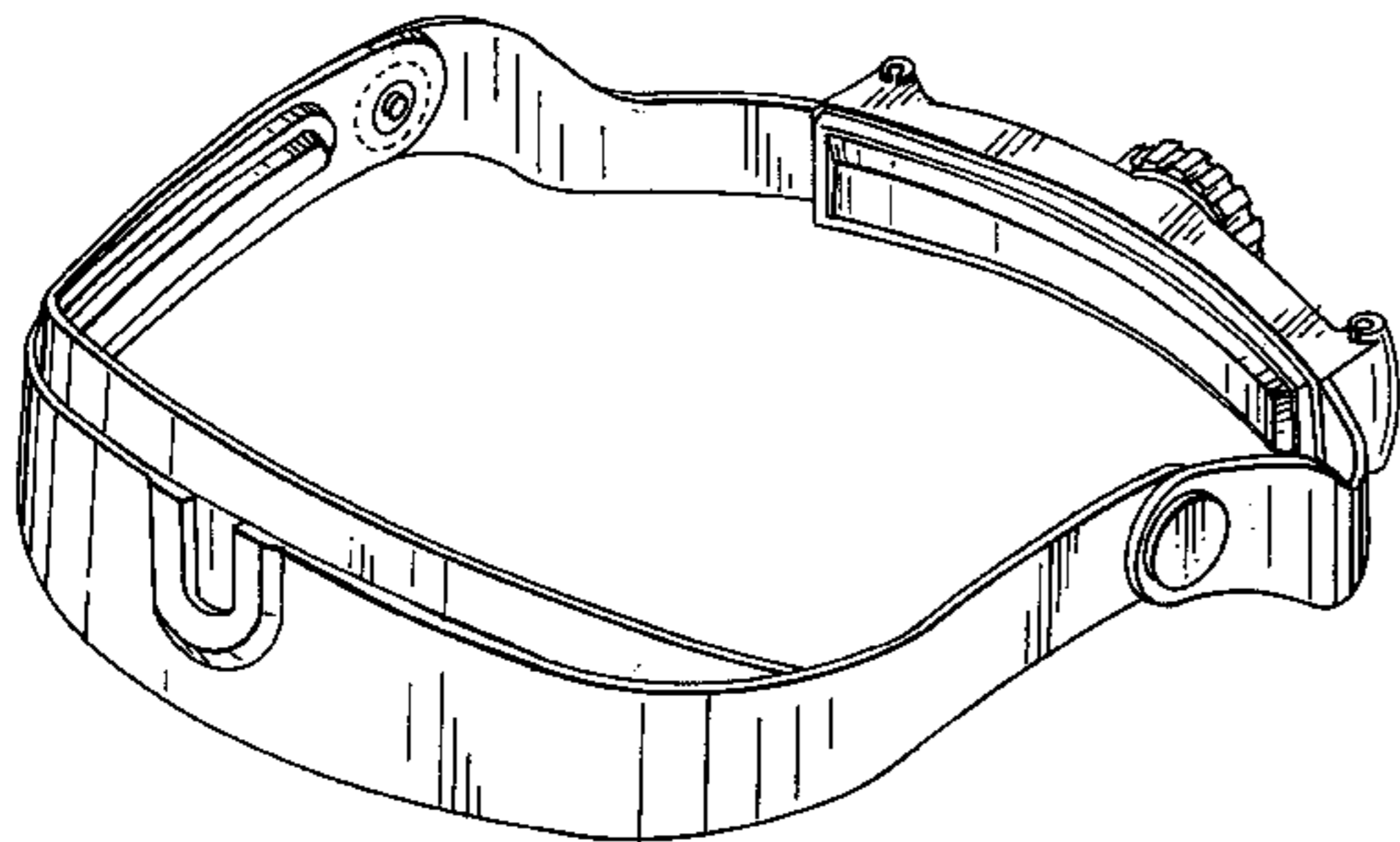
FIG. 4 is a bottom plan view thereof;

FIG. 5 is a right side view thereof, the left side view being identical thereto;

FIG. 6 is a front view thereof; and,

FIG. 7 is a rear view thereof.

1 Claim, 3 Drawing Sheets



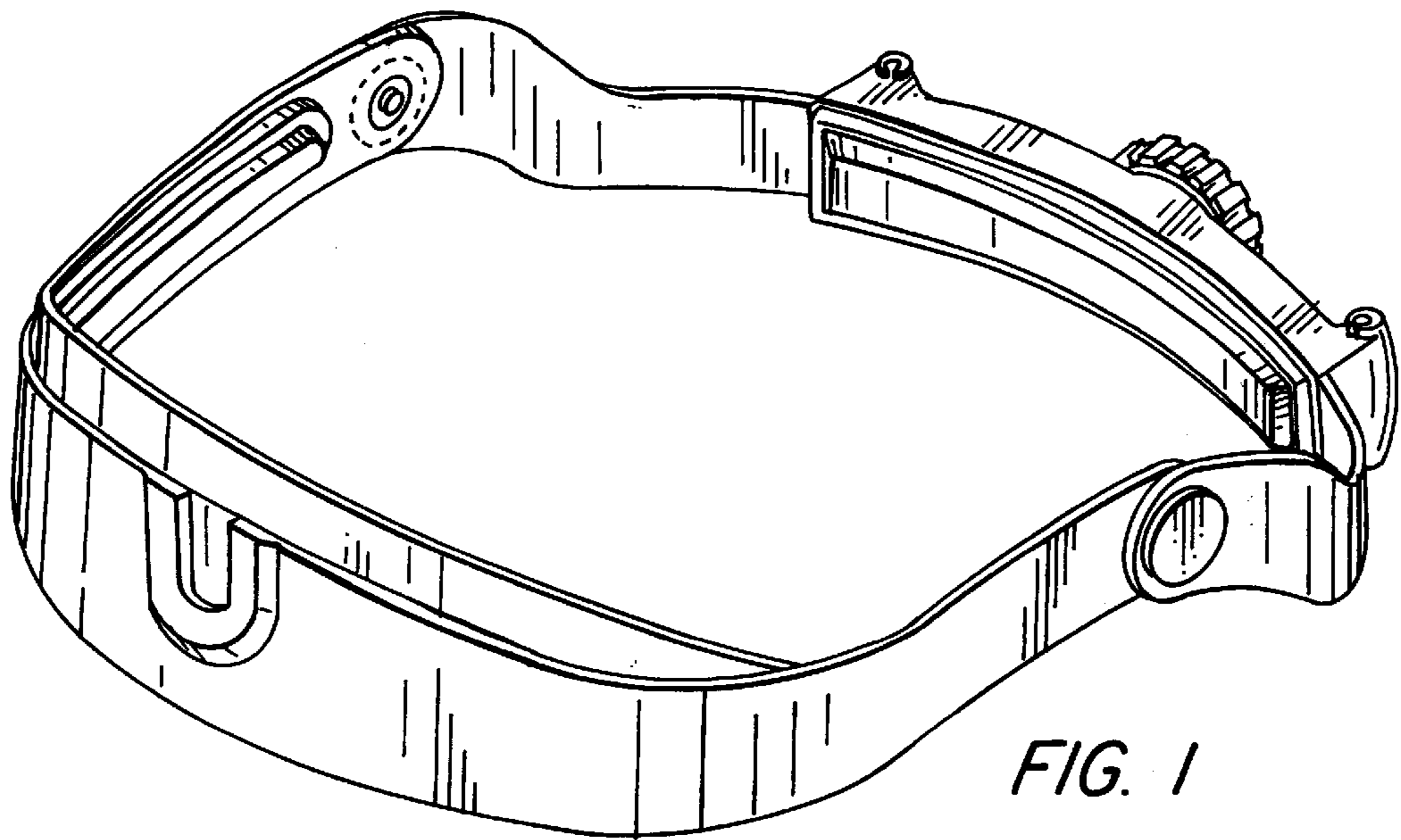


FIG. 1

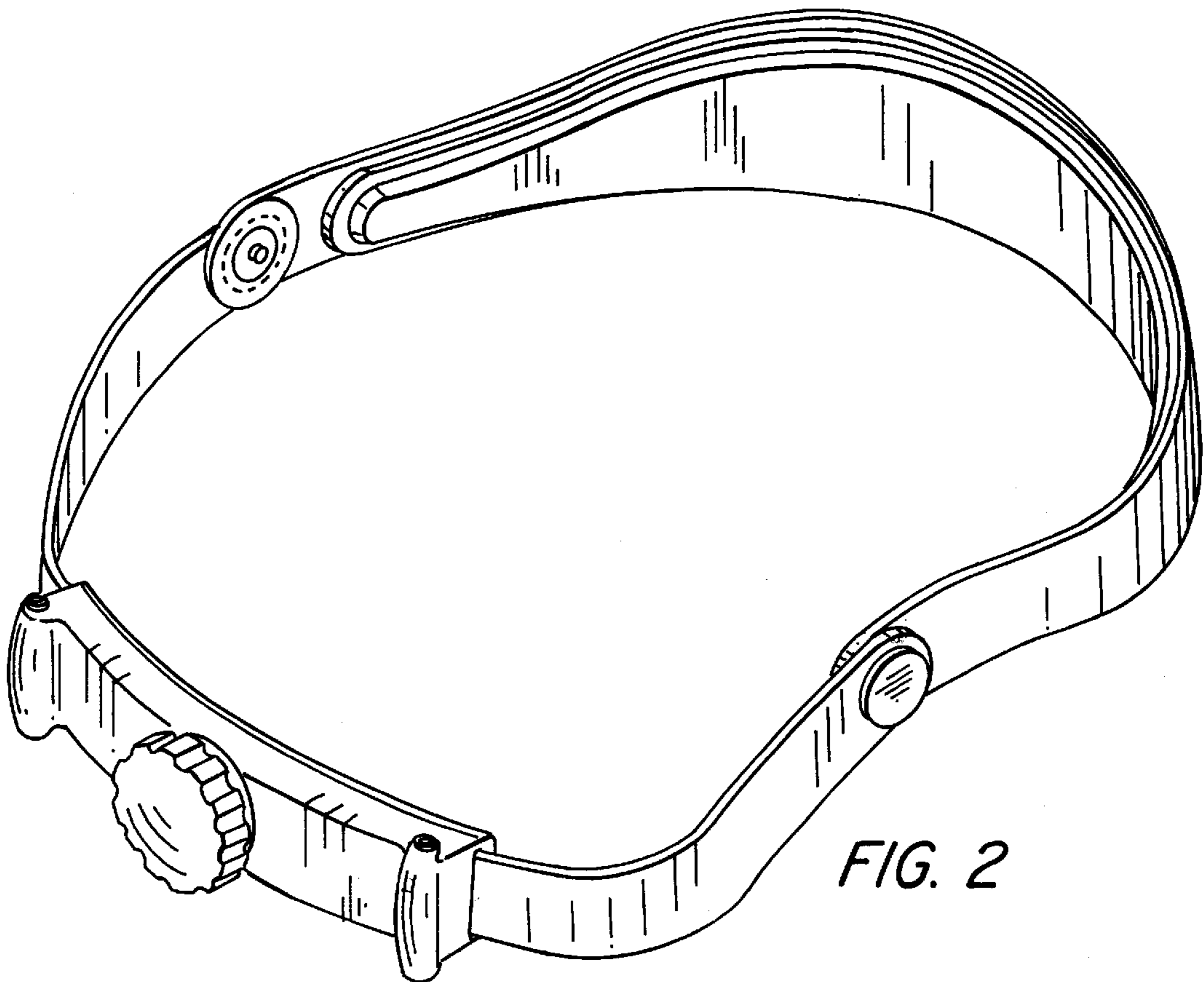
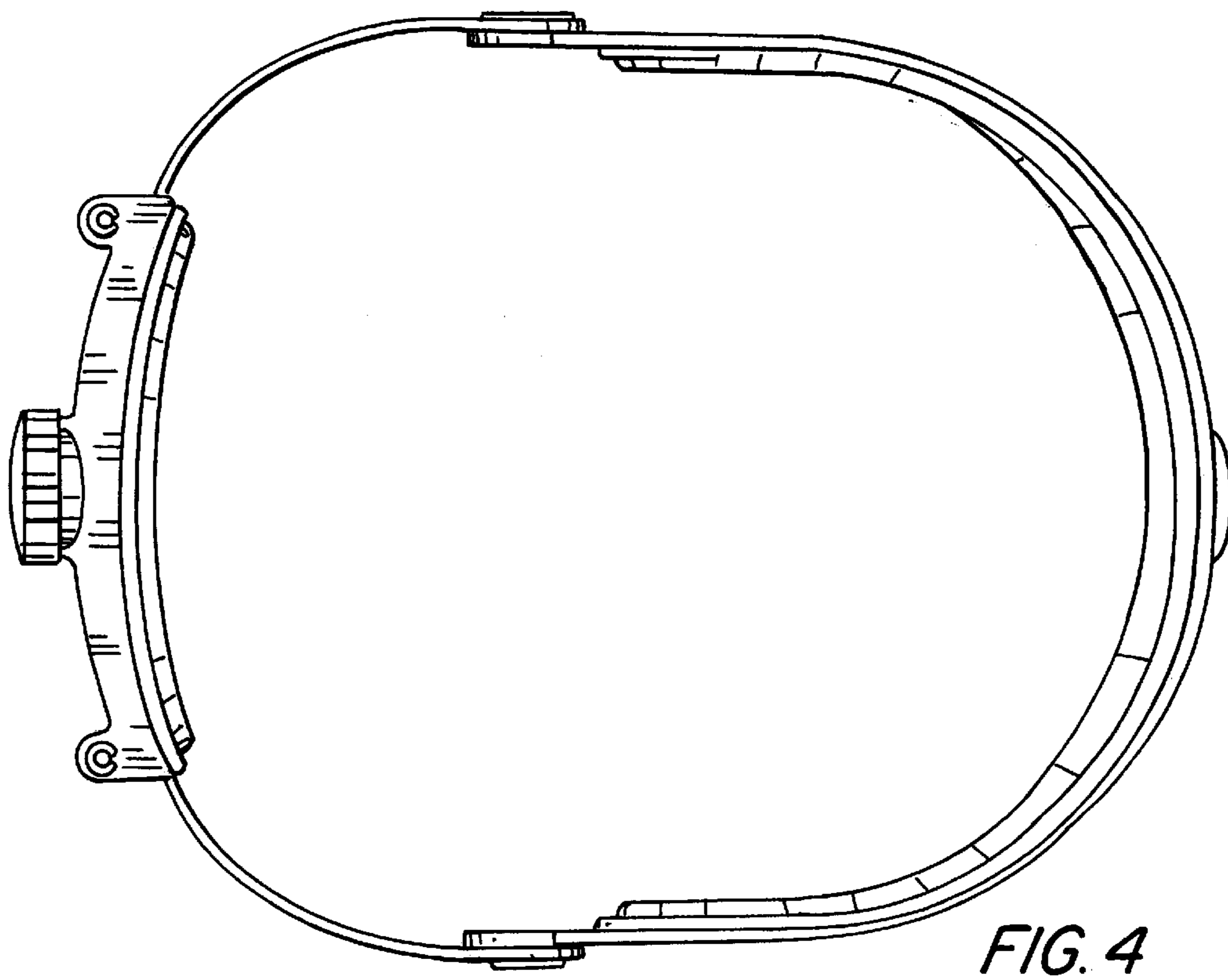
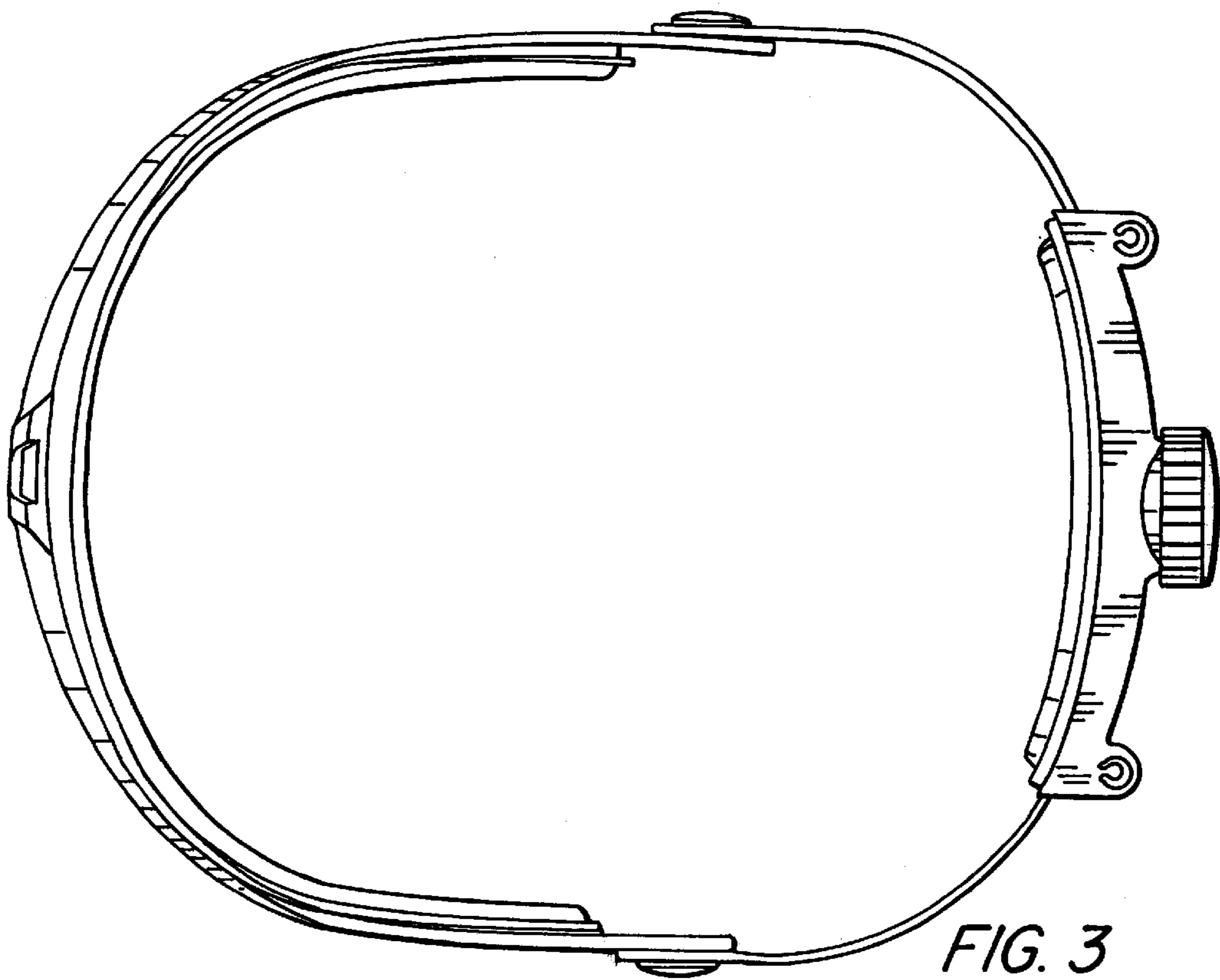


FIG. 2



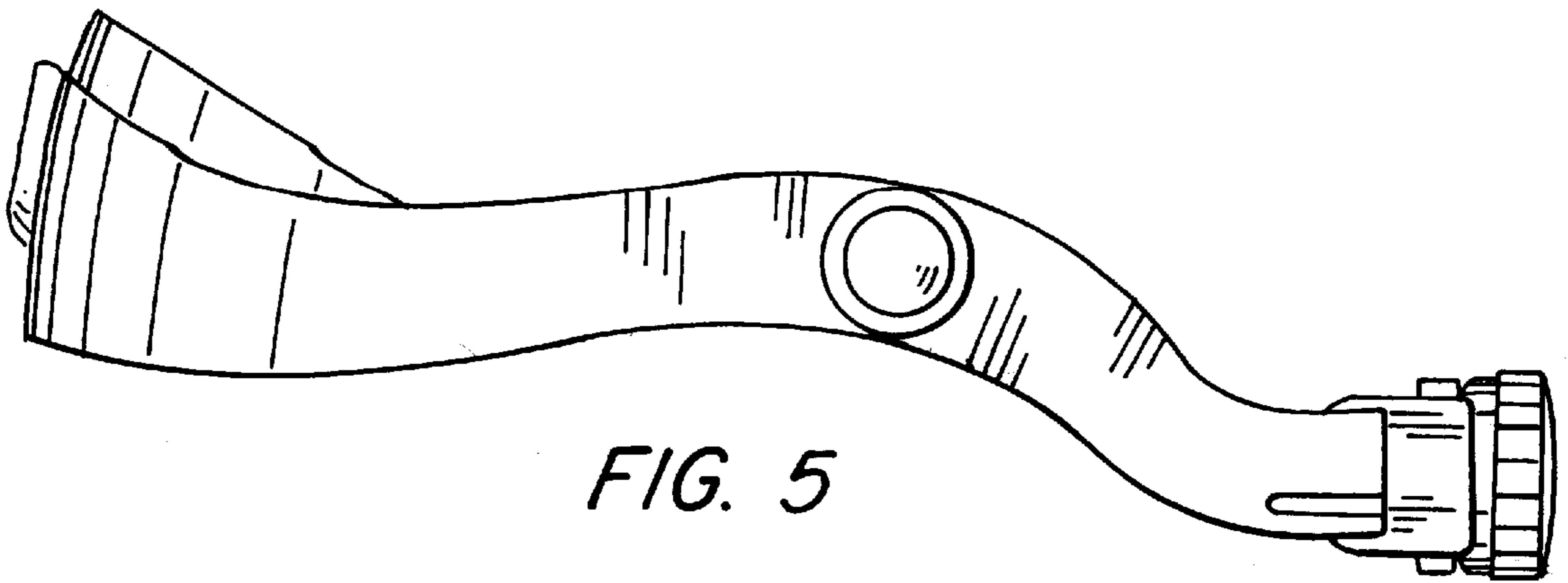


FIG. 5

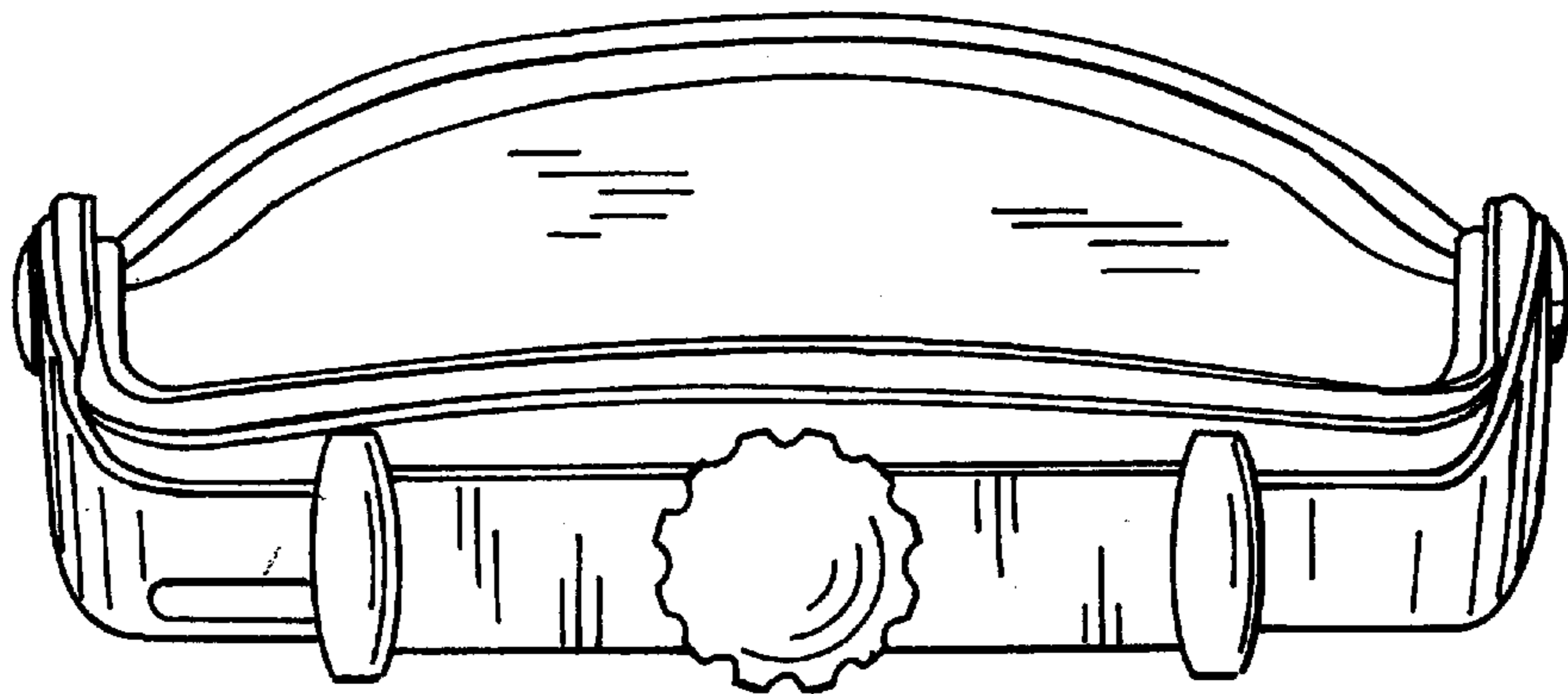


FIG. 6

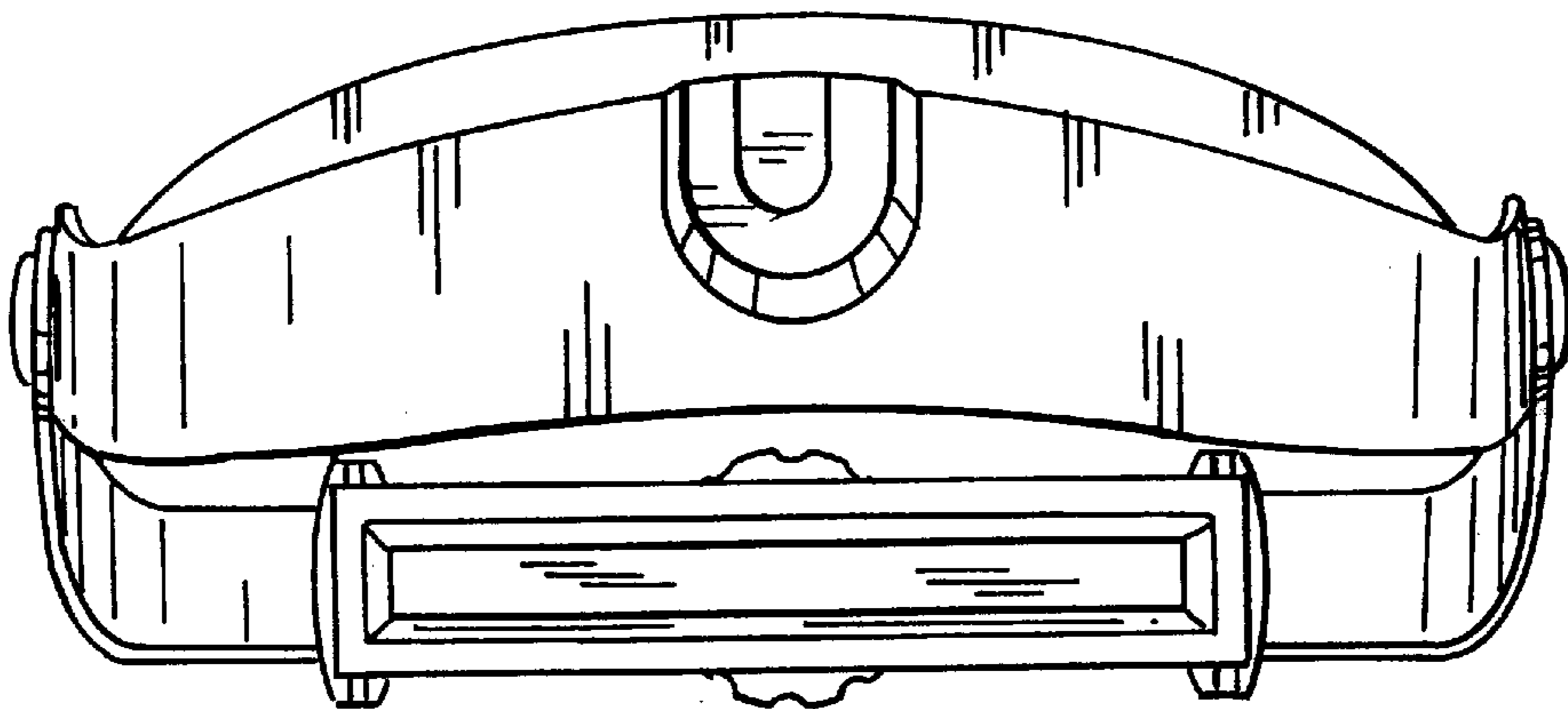


FIG. 7