



US00D441883S

(12) **United States Design Patent**  
**Poppick et al.**

(10) **Patent No.:** **US D441,883 S**

(45) **Date of Patent:** **\*\* May 8, 2001**

(54) **REFILL CANDLE**

(75) Inventors: **Jonathan L. Poppick**, Fairfield, CT (US); **James Ramaker**, Elkin, NC (US)

(73) Assignee: **Candle Corporation of America**, Elkin, NC (US)

(\*\*) Term: **14 Years**

(21) Appl. No.: **29/116,813**

(22) Filed: **Jan. 12, 2000**

(51) **LOC (7) Cl.** ..... **26-04**

(52) **U.S. Cl.** ..... **D26/6**

(58) **Field of Search** ..... D26/6, 7, 9, 11, D26/12; 431/288, 291, 295

(56) **References Cited**

**U.S. PATENT DOCUMENTS**

- D. 394,513 \* 5/1998 Davis ..... D26/6
- D. 409,316 \* 5/1999 Majerowski ..... D26/6
- 2,323,804 \* 7/1943 Driscoll ..... 431/288

**OTHER PUBLICATIONS**

Pourette catalog; small oval candle #B814C, 1998.\*

\* cited by examiner

*Primary Examiner*—Robin V. Taylor

(74) *Attorney, Agent, or Firm*—Marshall, O’Toole, Gerstein, Murray & Borun

(57) **CLAIM**

The ornamental design for a refill candle, as shown and described.

**DESCRIPTION**

FIG. 1 is a perspective view of a refill candle showing our new design;

FIG. 2 is a front elevational view thereof, the opposite rear elevational view being a mirror image;

FIG. 3 is a side elevational view thereof, the opposite side elevational view being a mirror image;

FIG. 4 is a top plan view thereof;

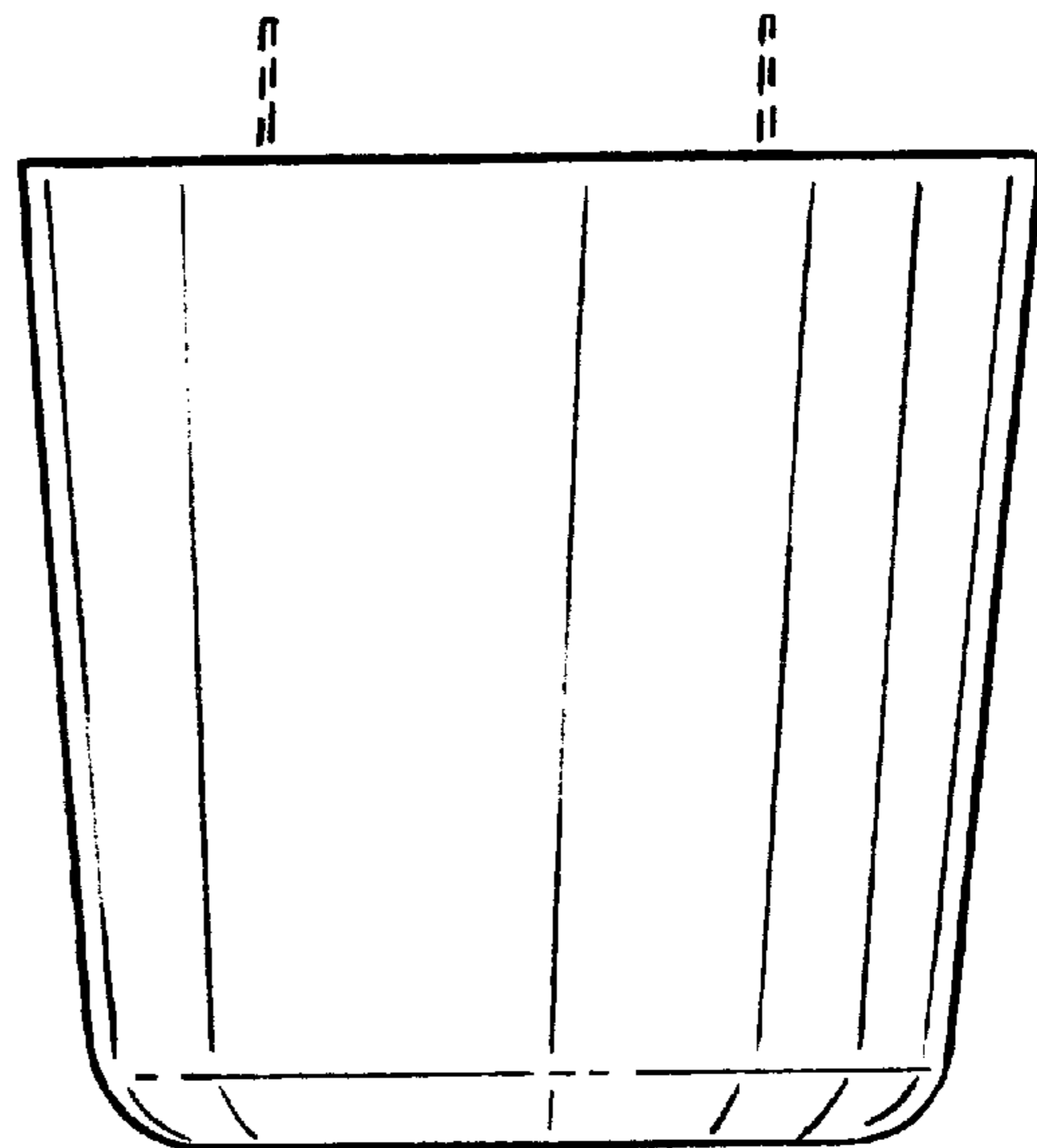
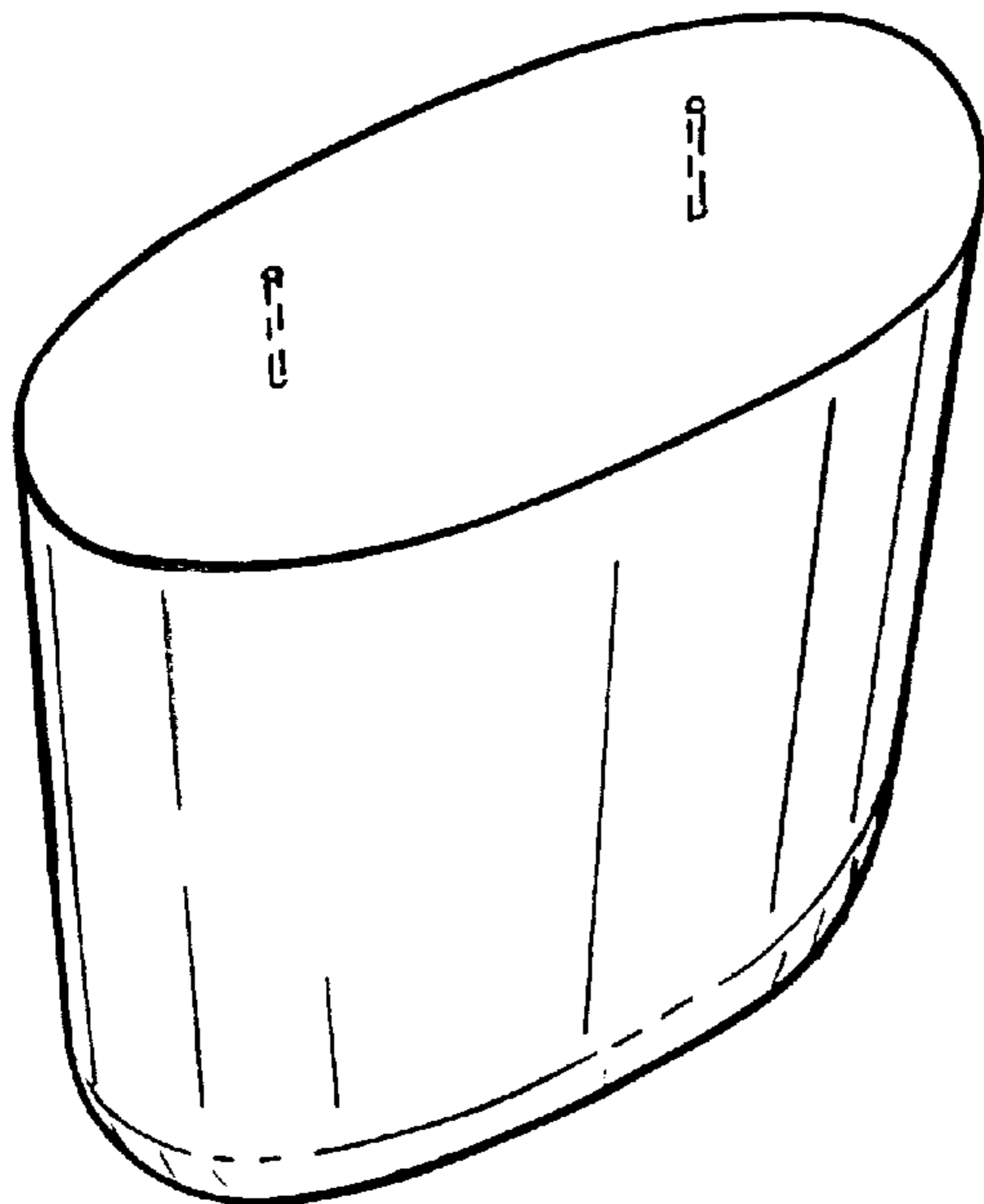
FIG. 5 is a bottom plan view thereof; and,

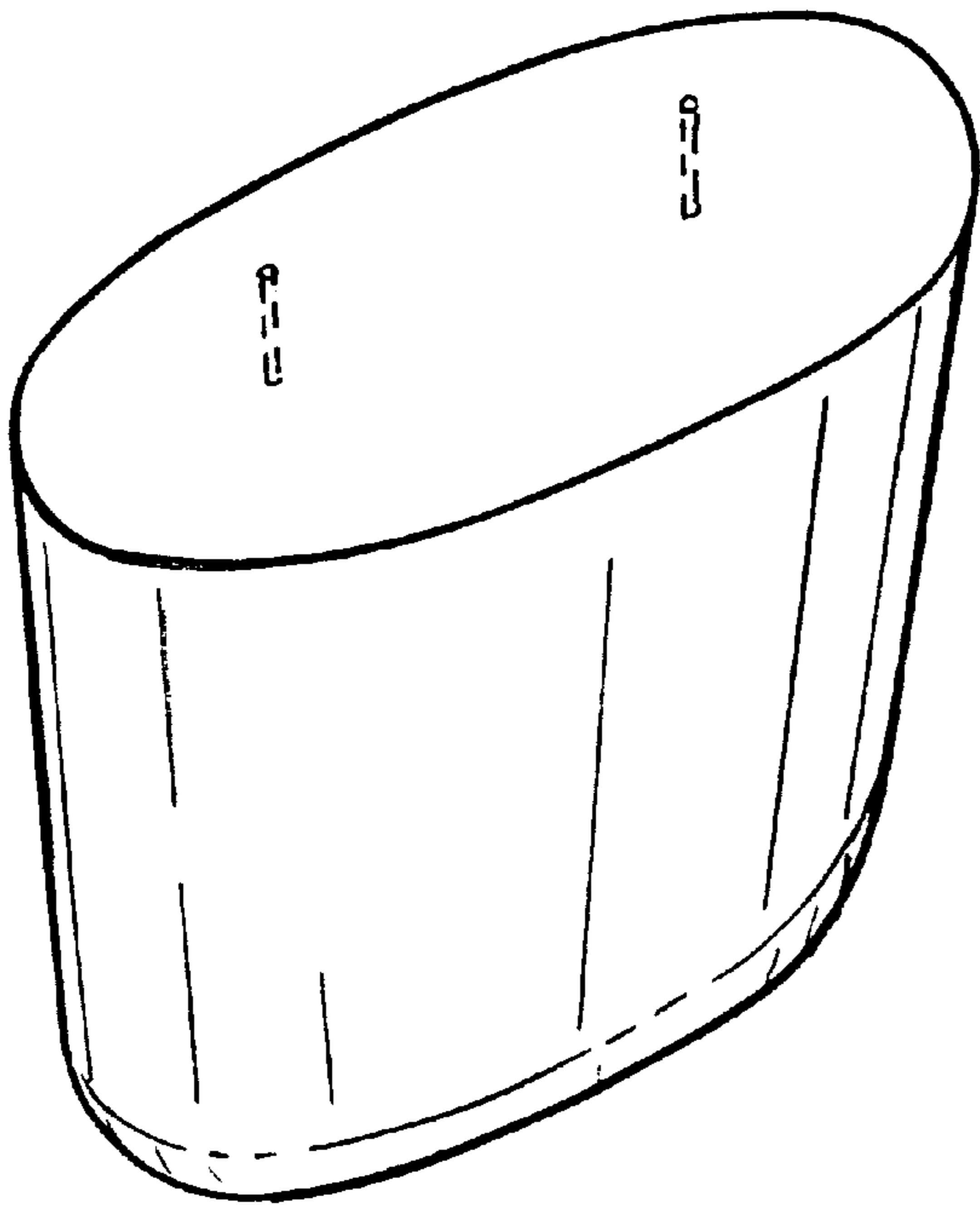
FIG. 6 is a front elevational view of the refill candle disposed within a container.

The broken lines showing two wicks of FIGS. 1, 2, 3, 4 and 6 are for illustrative purposes only and form no part of the claimed design.

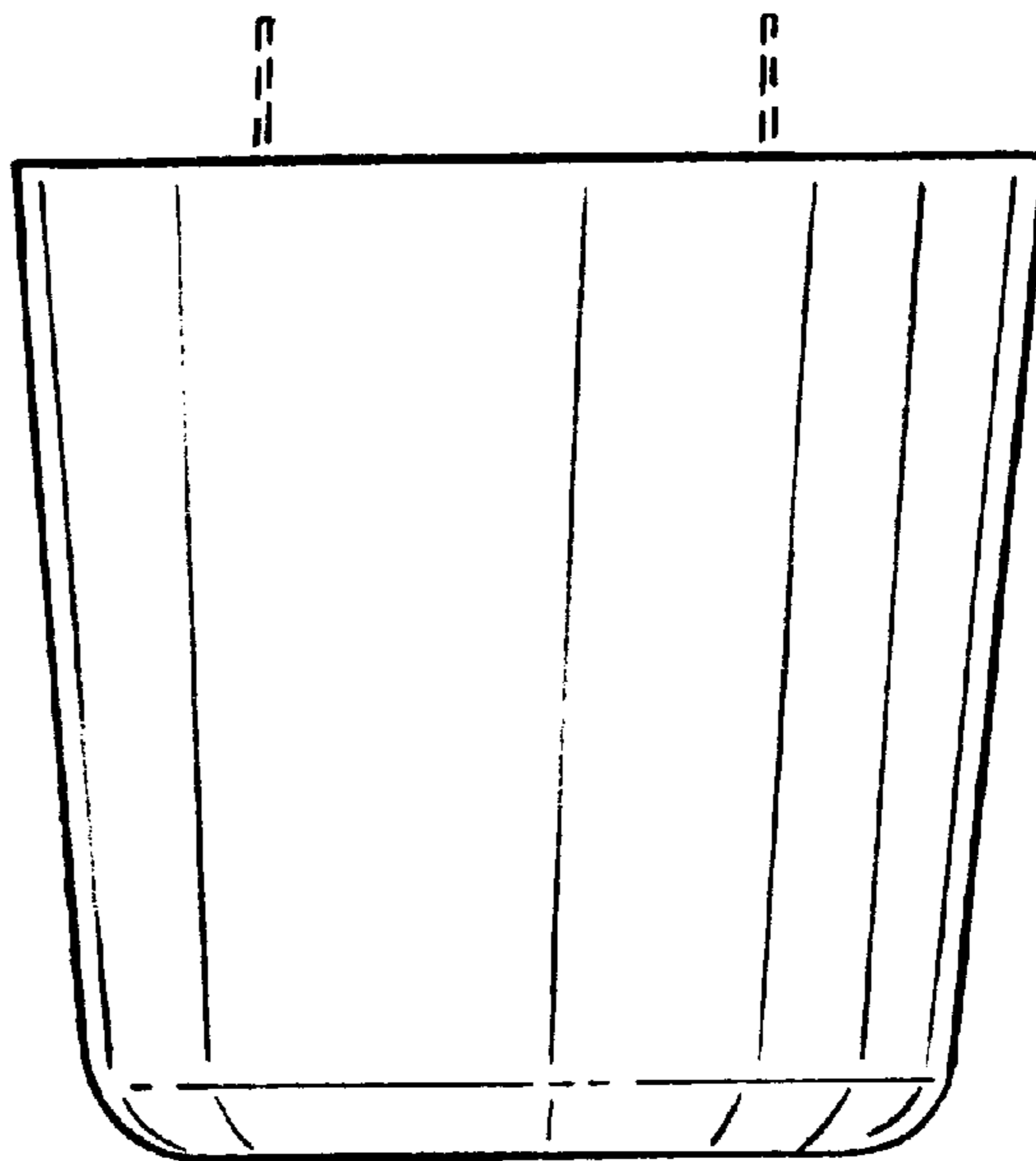
The broken lines showing a container of FIG. 6 are for illustrative purposes only and form no part of the claimed design.

**1 Claim, 3 Drawing Sheets**

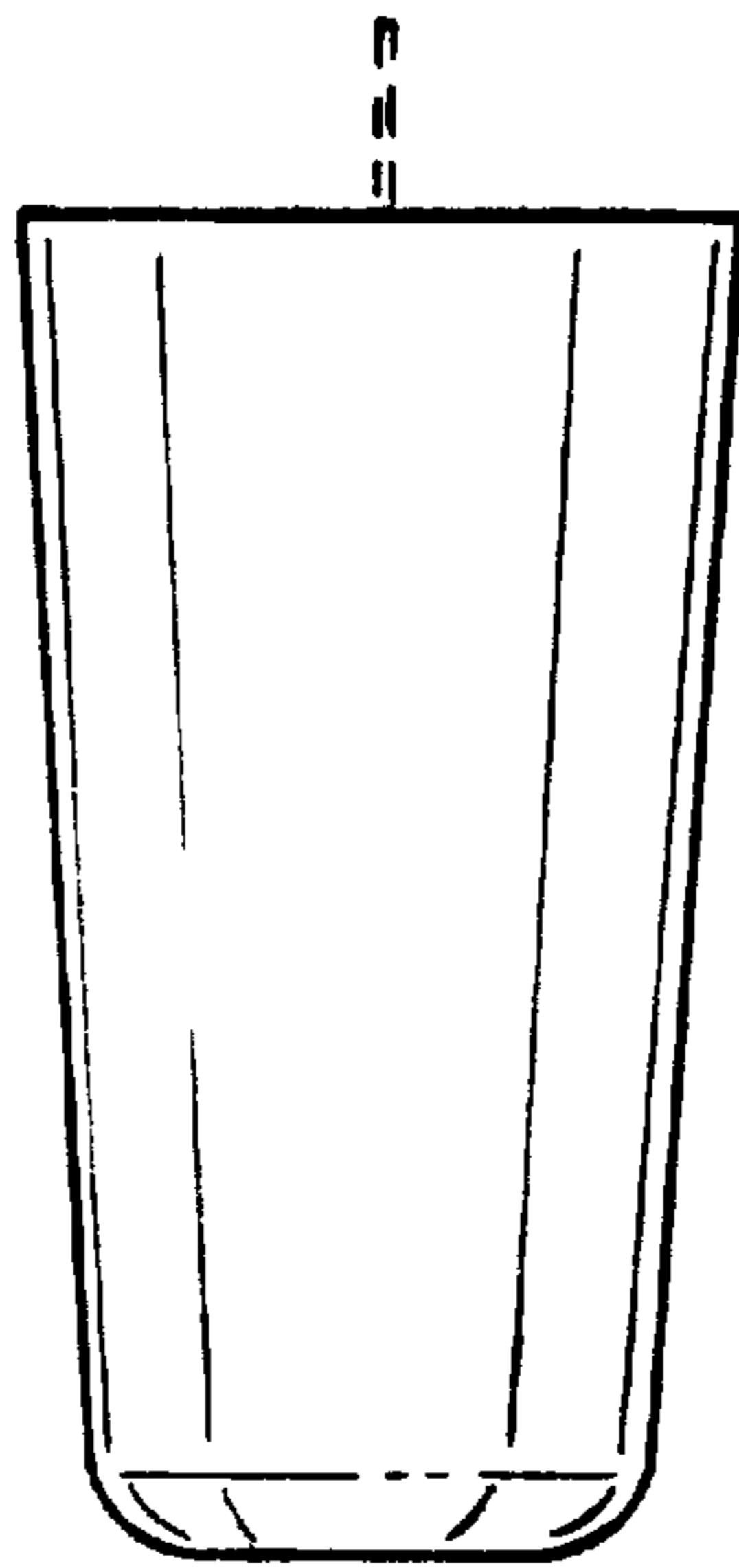




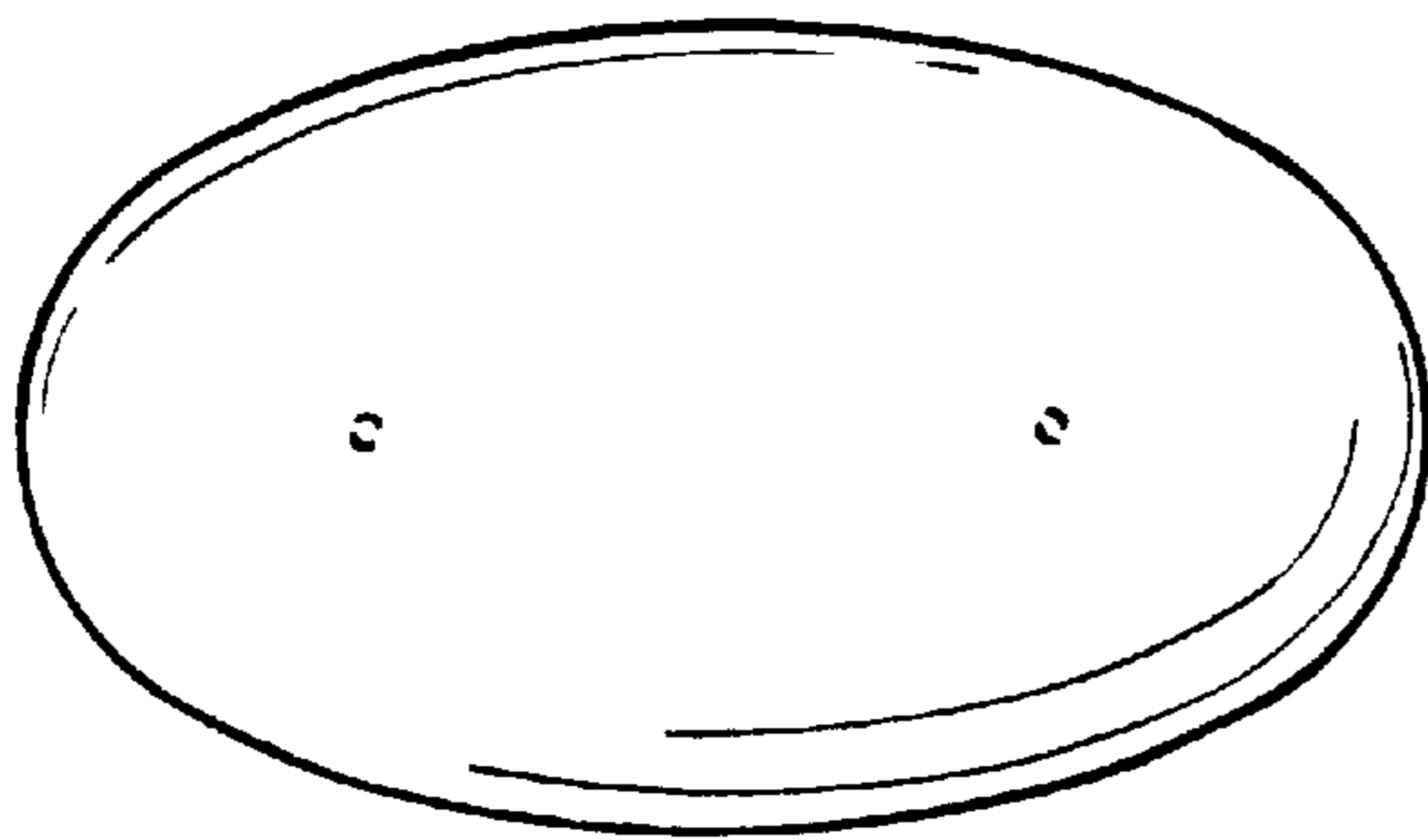
**FIG. 1**



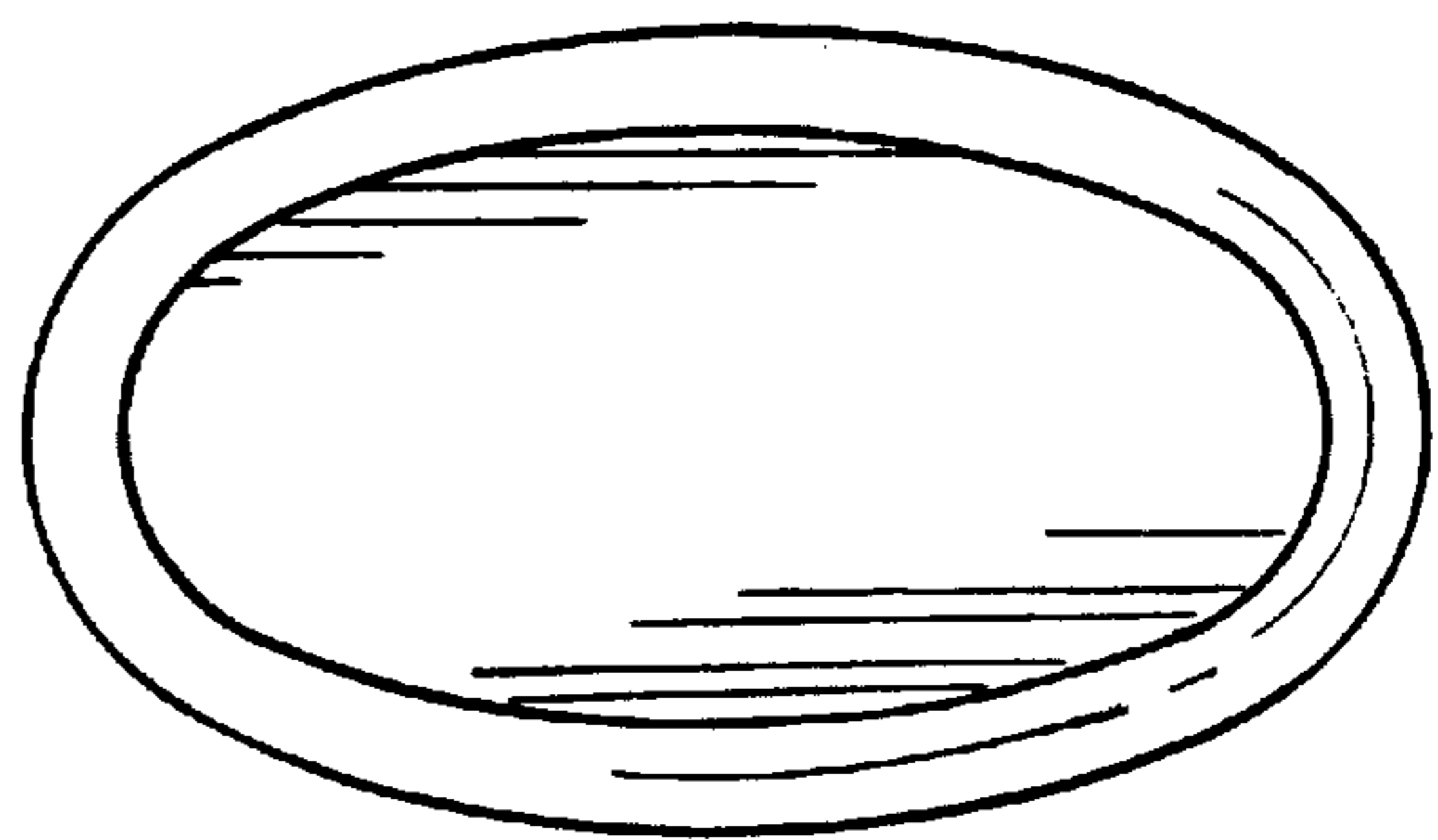
**FIG. 2**



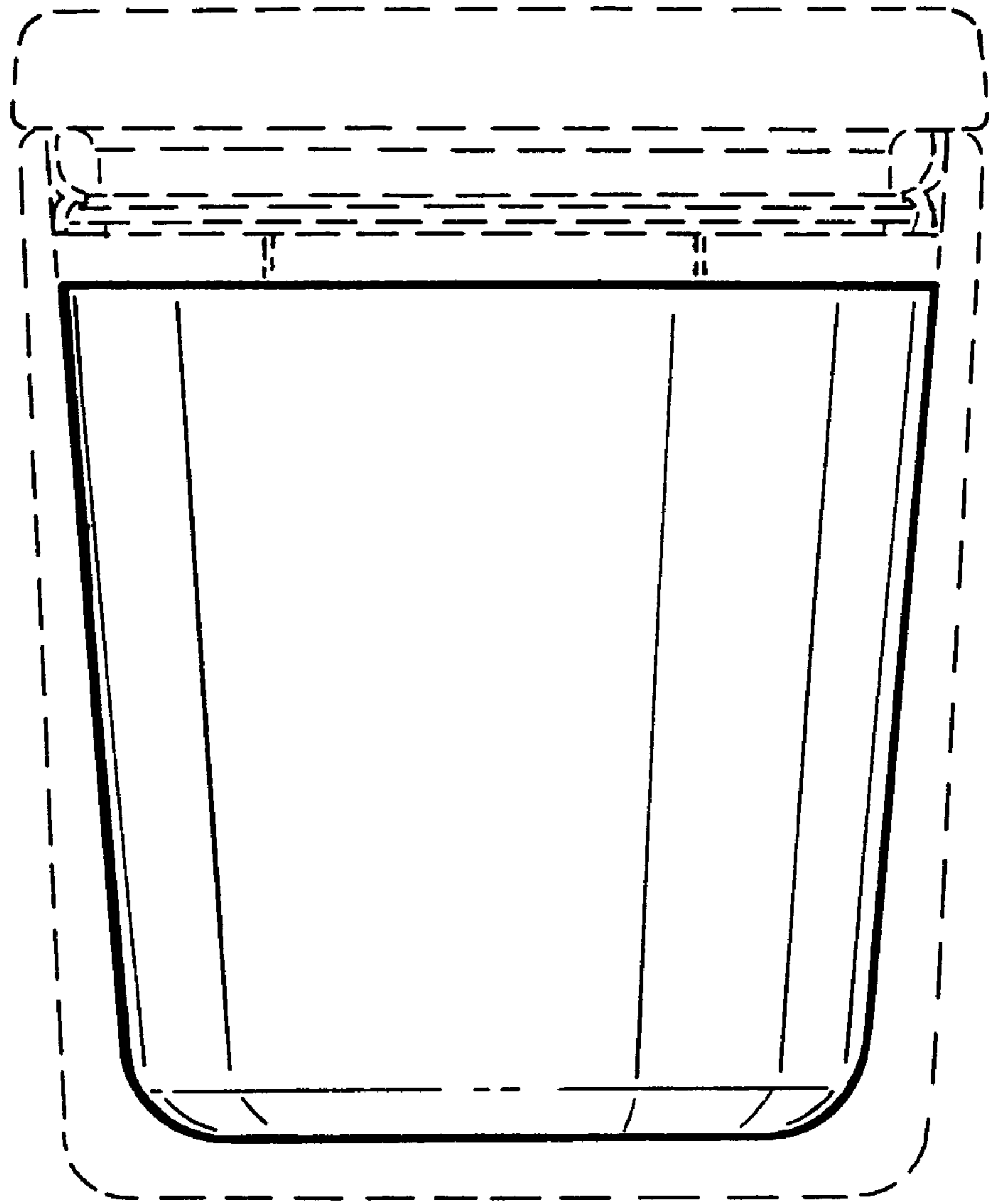
**FIG. 3**



**FIG. 4**



**FIG. 5**



**FIG. 6**