



US00D441879S

(12) **United States Design Patent** (10) **Patent No.:** **US D441,879 S**  
**Habeck et al.** (45) **Date of Patent:** **\*\* \*May 8, 2001**

(54) **PICTURE FRAME FOR NEW CONSTRUCTION PICTURE WINDOW**

(75) Inventors: **Jerome Carl Habeck**, Holt; **Dennis C. Westphal**, Parma, both of MI (US); **David S. Levine**, King of Prussia; **Stanley Gursky**, Yardley, both of PA (US)

(73) Assignee: **CertainTeed Corp.**, Valley Forge, PA (US)

(\* ) Notice: This patent is subject to a terminal disclaimer.

(\*\* ) Term: **14 Years**

(21) Appl. No.: **29/121,466**

(22) Filed: **Apr. 6, 2000**

(51) **LOC (7) Cl.** ..... **25-01**

(52) **U.S. Cl.** ..... **D25/124**

(58) **Field of Search** ..... 52/777, 778, 779, 52/764, 204.5, 204.55, 656.4, 656.5, 656.6, 656.7; D25/124, 60, 125, 52; 49/504, DIG. 2

(56) **References Cited**

**U.S. PATENT DOCUMENTS**

D. 307,802 \* 5/1990 Westphal et al. .... D25/124  
D. 407,505 \* 3/1999 Hersh et al. .... D25/124

\* cited by examiner

*Primary Examiner*—Louis S. Zarfes

*Assistant Examiner*—Robert A. Delehanty

(74) *Attorney, Agent, or Firm*—Duane Morris & Heckscher LLP

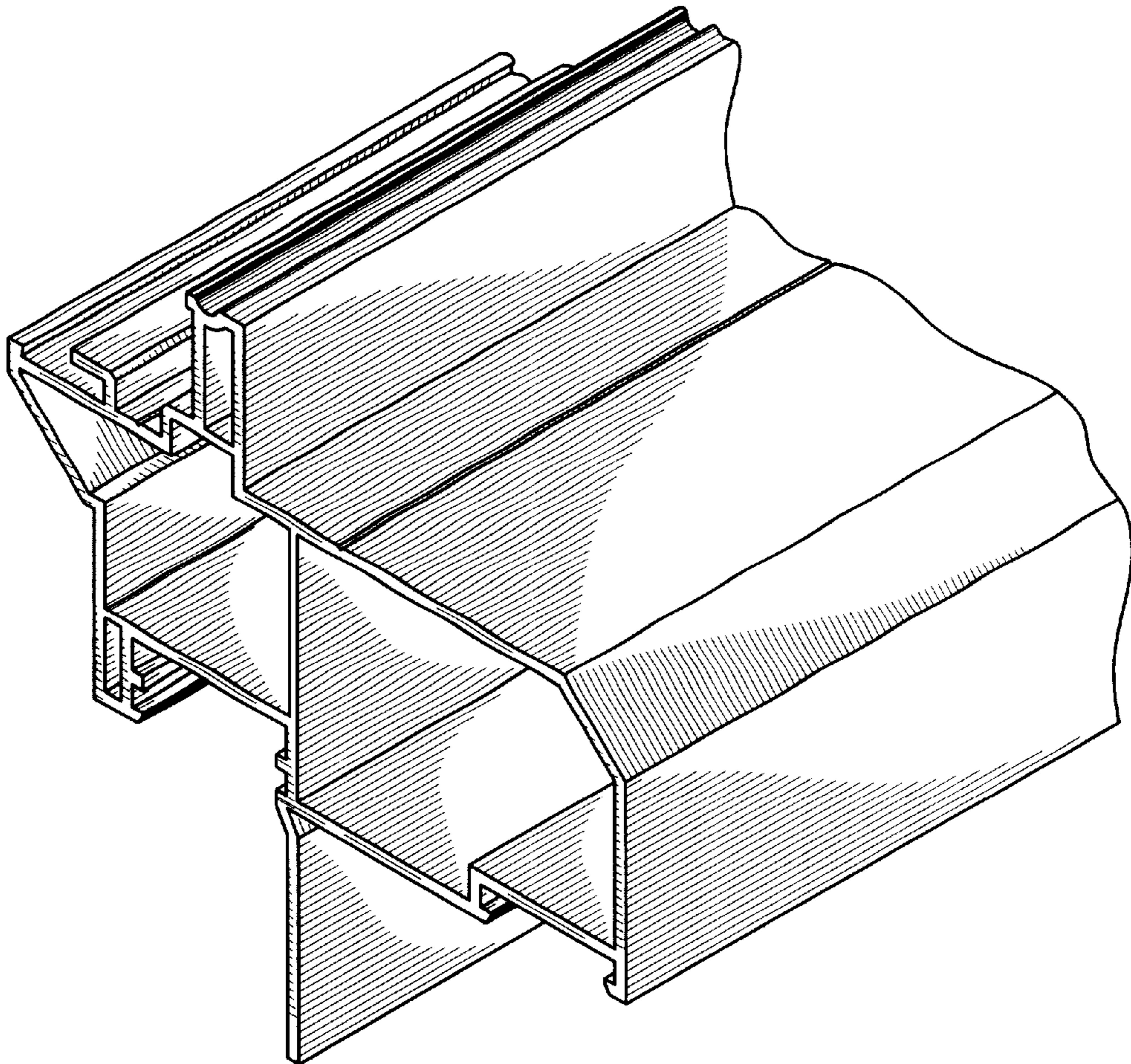
(57) **CLAIM**

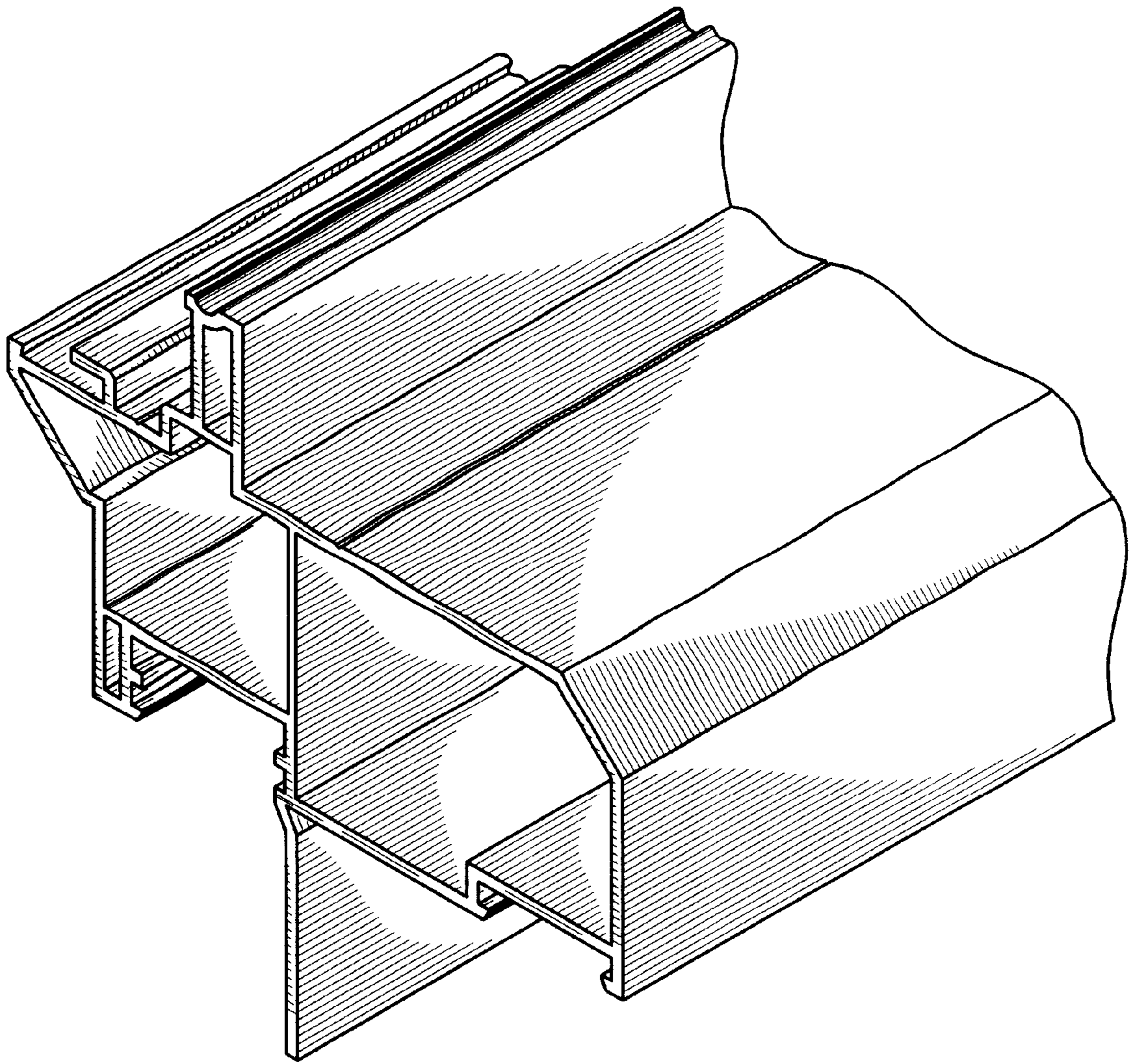
The ornamental design for a picture frame for new construction picture window, as shown and described.

**DESCRIPTION**

The FIGURE is a front perspective view of a picture frame for new construction picture window, showing our new design, the rear perspective view being a mirror image, and is shown fragmented indicating indefinite length.

**1 Claim, 1 Drawing Sheet**





THE FIGURE