



US00D441878S

(12) **United States Design Patent** (10) **Patent No.:** **US D441,878 S**
Franson et al. (45) **Date of Patent:** **** May 8, 2001**

(54) **WINDOW COMPONENT EXTRUSION**

(75) Inventors: **Jeffrey R. Franson**, Maple Valley, WA (US); **Lorane Goss**, Slippery Rock, PA (US)

(73) Assignee: **Mikron Industries, Inc.**, Kent, WA (US)

(**) Term: **14 Years**

(21) Appl. No.: **29/103,850**

(22) Filed: **Apr. 22, 1999**

Teresa A. Oliver, Mikron Part No. 7204, First sold Oct. 13, 1995.

Teresa A. Oliver, Mikron Part No. 7206, First sold Oct. 13, 1995.

Teresa A. Oliver, Mikron Part No. 7207, First sold Oct. 13, 1995.

Teresa A. Oliver, Mikron Part No. 7225, First drawn Jul. 14, 1995.

* cited by examiner

Related U.S. Application Data

(62) Division of application No. 29/084,209, filed on Feb. 26, 1998, now Pat. No. Des. 416,628.

(51) **LOC (7) Cl.** **25-01**

(52) **U.S. Cl.** **D25/124**

(58) **Field of Search** D25/52, 60, 119-125; 49/DIG. 2, 504-505, 404, 413, 419, 407, 408; 52/204.56, 204.51, 730.3, 205.1, 202

References Cited

U.S. PATENT DOCUMENTS

D. 400,271 * 10/1998 Franson D25/124

OTHER PUBLICATIONS

Robert Jarrell, Mikron Part No. 7144, First sold Feb. 19, 1996.

Robert Jarrell, Mikron Part No. 7148, First sold Feb. 19, 1996.

Primary Examiner—Doris Clark

(74) *Attorney, Agent, or Firm*—Richardson & Folise

(57) **CLAIM**

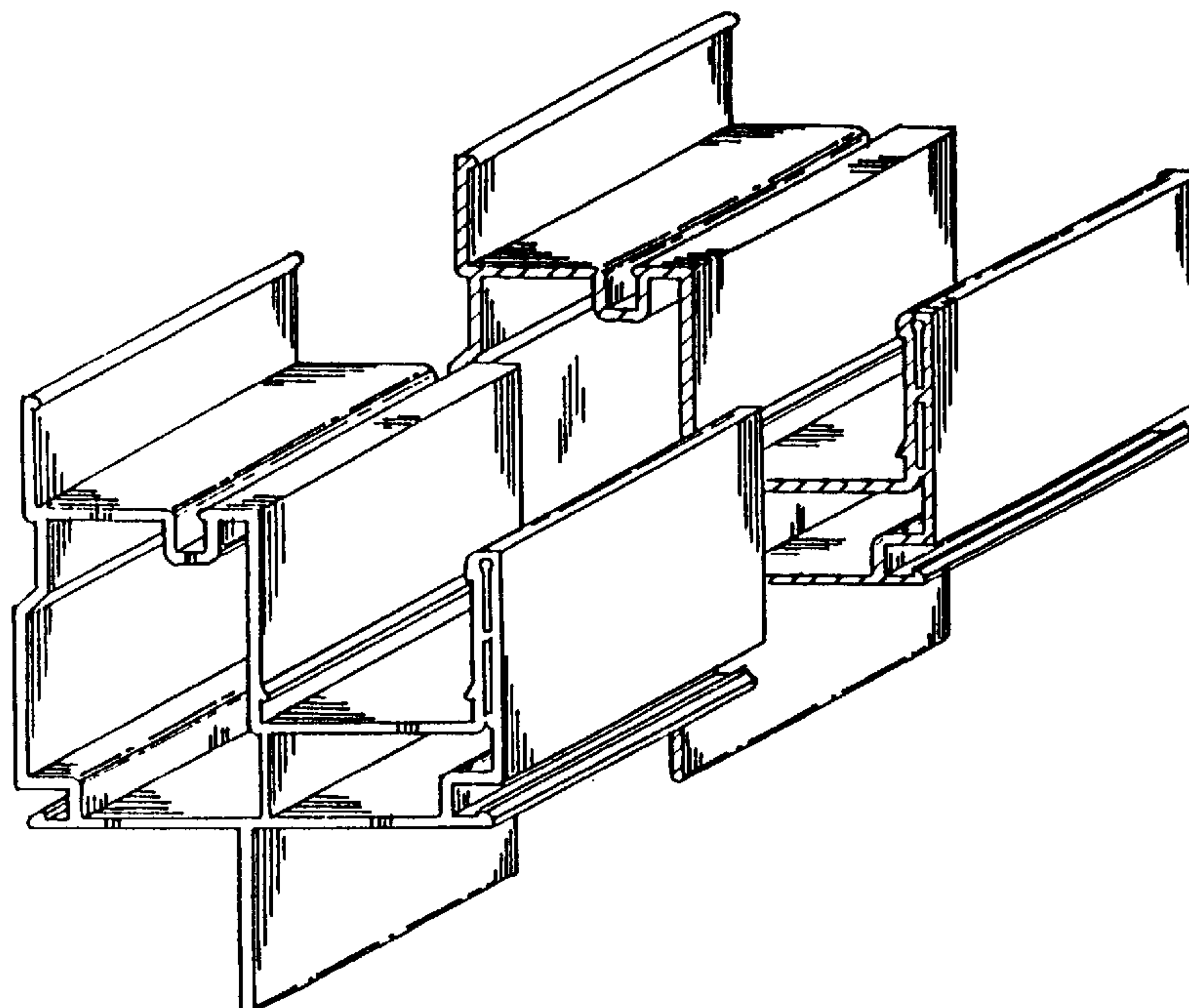
The ornamental design for a window component extrusion, as shown and described.

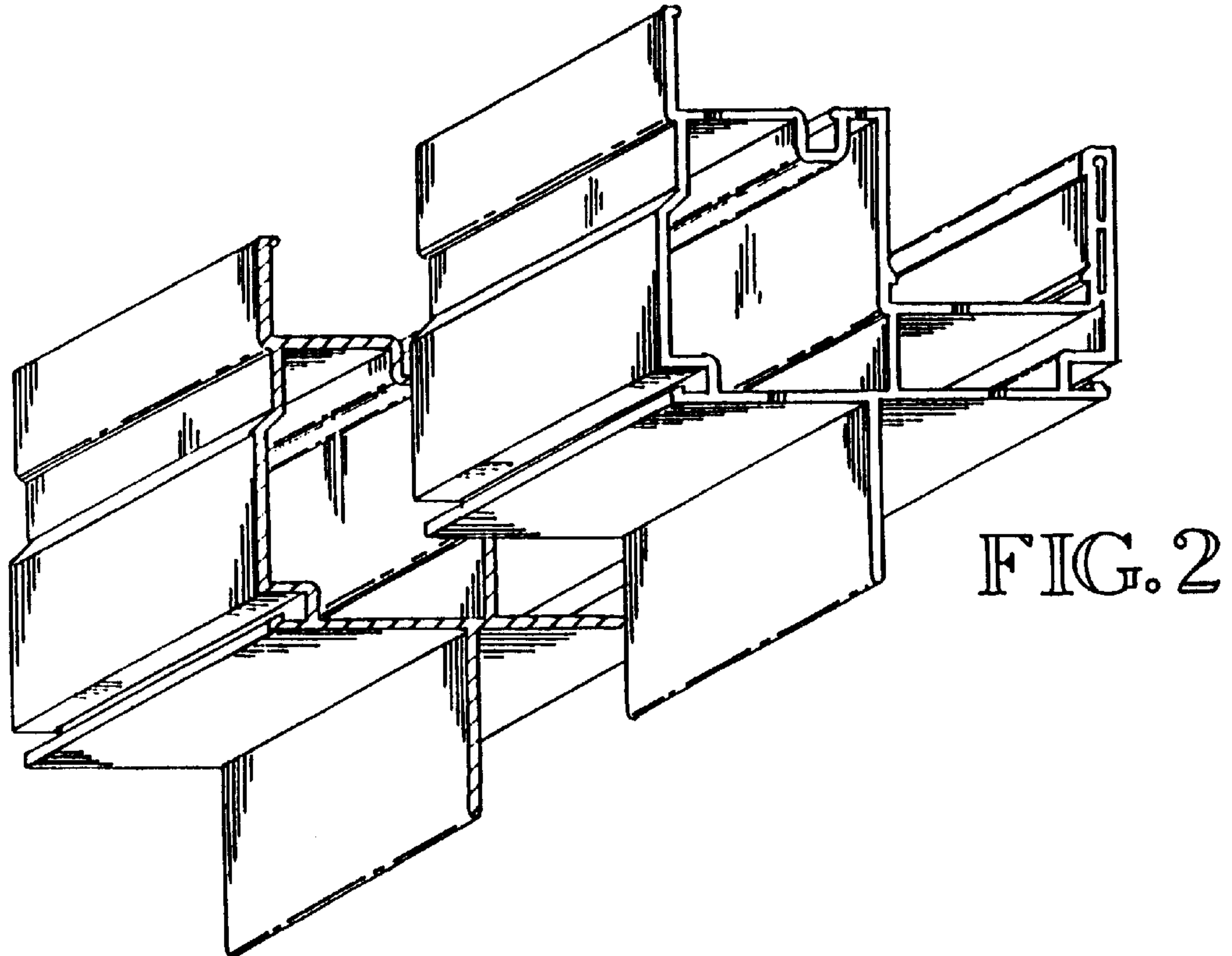
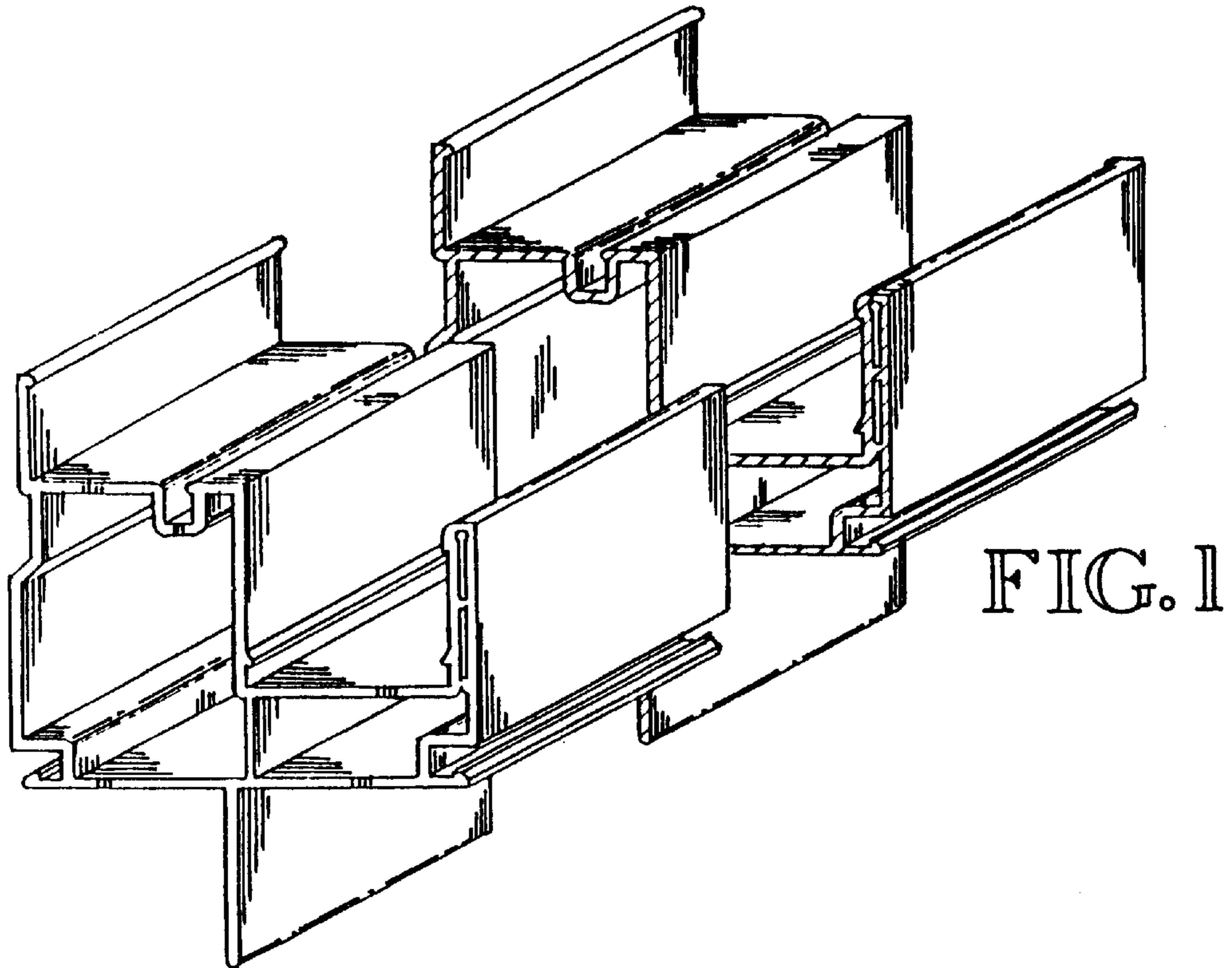
DESCRIPTION

FIG. 1 is a top right perspective view of the window component extrusion which is broken in the center indicating indefinite length; and,

FIG. 2 is a bottom left perspective view of the window component extrusion shown in FIG. 1.

1 Claim, 1 Drawing Sheet





UNITED STATES PATENT AND TRADEMARK OFFICE
CERTIFICATE OF CORRECTION

PATENT NO. : Des 441,878 S
DATED : May 8, 2001
INVENTOR(S) : Jeffrey R. Franson et al.

Page 1 of 3

It is certified that error appears in the above-identified patent and that said Letters Patent is hereby corrected as shown below:

Title page,

The title page, showing an illustrative figure, should be deleted and substitute therefore the attached title page.

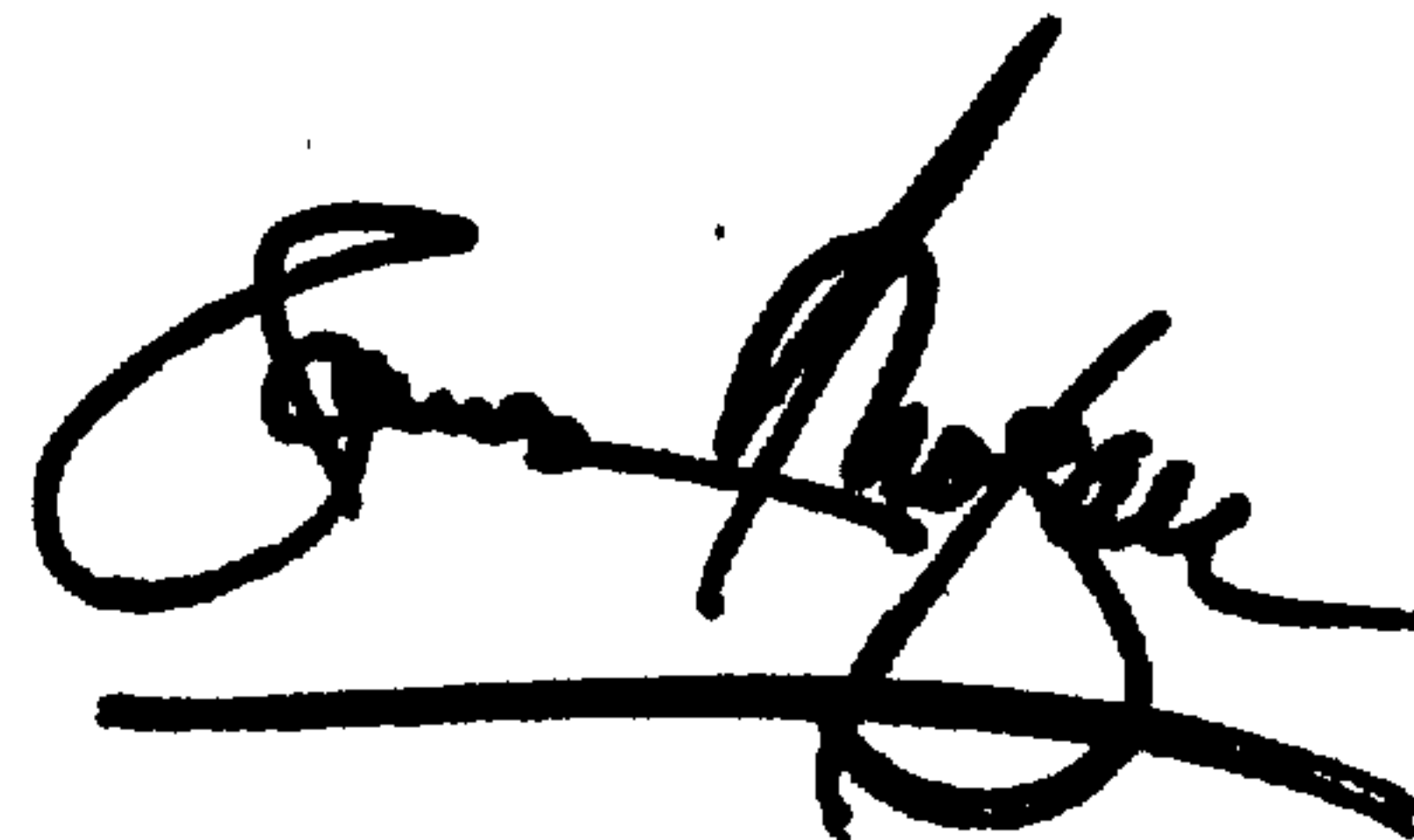
Drawings,

Delete Figures 1 and 2 and substitute therefore the Figures, 1 and 2 as shown on the attached page.

Signed and Sealed this

Twelfth Day of February, 2002

Attest:



Attesting Officer

JAMES E. ROGAN
Director of the United States Patent and Trademark Office

(12) **United States Design Patent** (10) **Patent No.:** **US D441,878 S**
Franson et al. (45) **Date of Patent:** **** May 8, 2001**

(54) **WINDOW COMPONENT EXTRUSION**
(75) **Inventors:** **Jeffrey R. Franson**, Maple Valley, WA (US); **Lorane Goss**, Slippery Rock, PA (US)
(73) **Assignee:** **Mikron Industries, Inc.**, Kent, WA (US)
(**) **Term:** **14 Years**
(21) **Appl. No.:** **29/103,850**
(22) **Filed:** **Apr. 22, 1999**

Teresa A. Oliver, Mikron Part No. 7204, First sold Oct. 13, 1995.
Teresa A. Oliver, Mikron Part No. 7206, First sold Oct. 13, 1995.
Teresa A. Oliver, Mikron Part No. 7207, First sold Oct. 13, 1995.
Teresa A. Oliver, Mikron Part No. 7225, First drawn Jul. 14, 1995.

* cited by examiner

Related U.S. Application Data

(62) Division of application No. 29/084,209, filed on Feb. 26, 1998, now Pat. No. Des. 416,628.
(51) **LOC (7) CL** **25-01**
(52) **U.S. CL** **D25/124**
(58) **Field of Search** D25/52, 60, 119-125; 49/DIG. 2, 504-505, 404, 413, 419, 407, 408; 52/204.56, 204.51, 730.3, 205.1, 202

Primary Examiner—Doris Clark
(74) *Attorney, Agent, or Firm*—Richardson & Folise

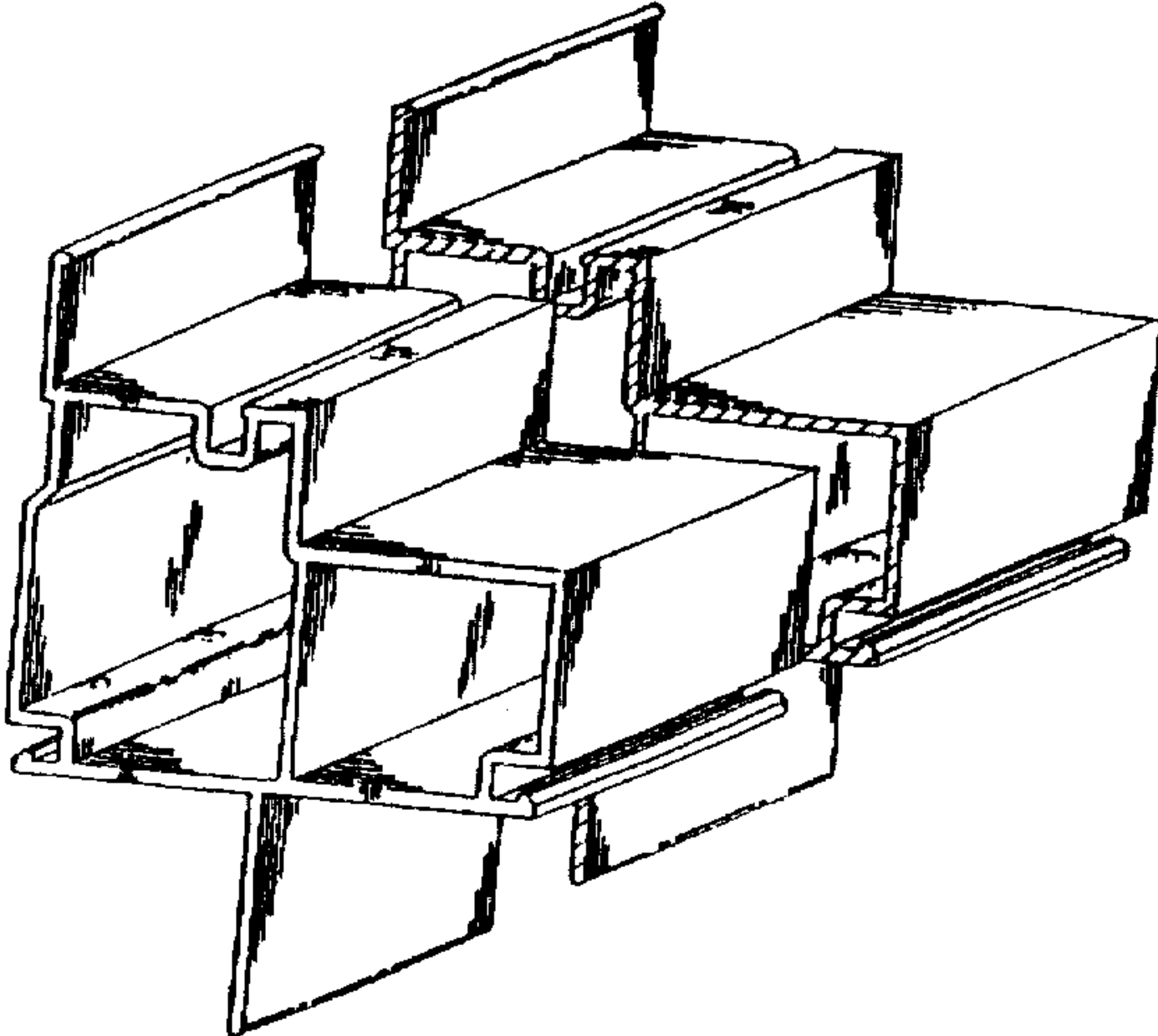
(57) **CLAIM**
The ornamental design for a window component extrusion, as shown and described.

DESCRIPTION

FIG. 1 is a top right perspective view of the window component extrusion which is broken in the center indicating indefinite length; and,
FIG. 2 is a bottom left perspective view of the window component extrusion shown in FIG. 1.

(56) **References Cited**
U.S. PATENT DOCUMENTS
D. 400,271 * 10/1998 Franson D25/124
OTHER PUBLICATIONS
Robert Jarrell, Mikron Part No. 7144, First sold Feb. 19, 1996.
Robert Jarrell, Mikron Part No. 7148, First sold Feb. 19, 1996.

1 Claim, 1 Drawing Sheet



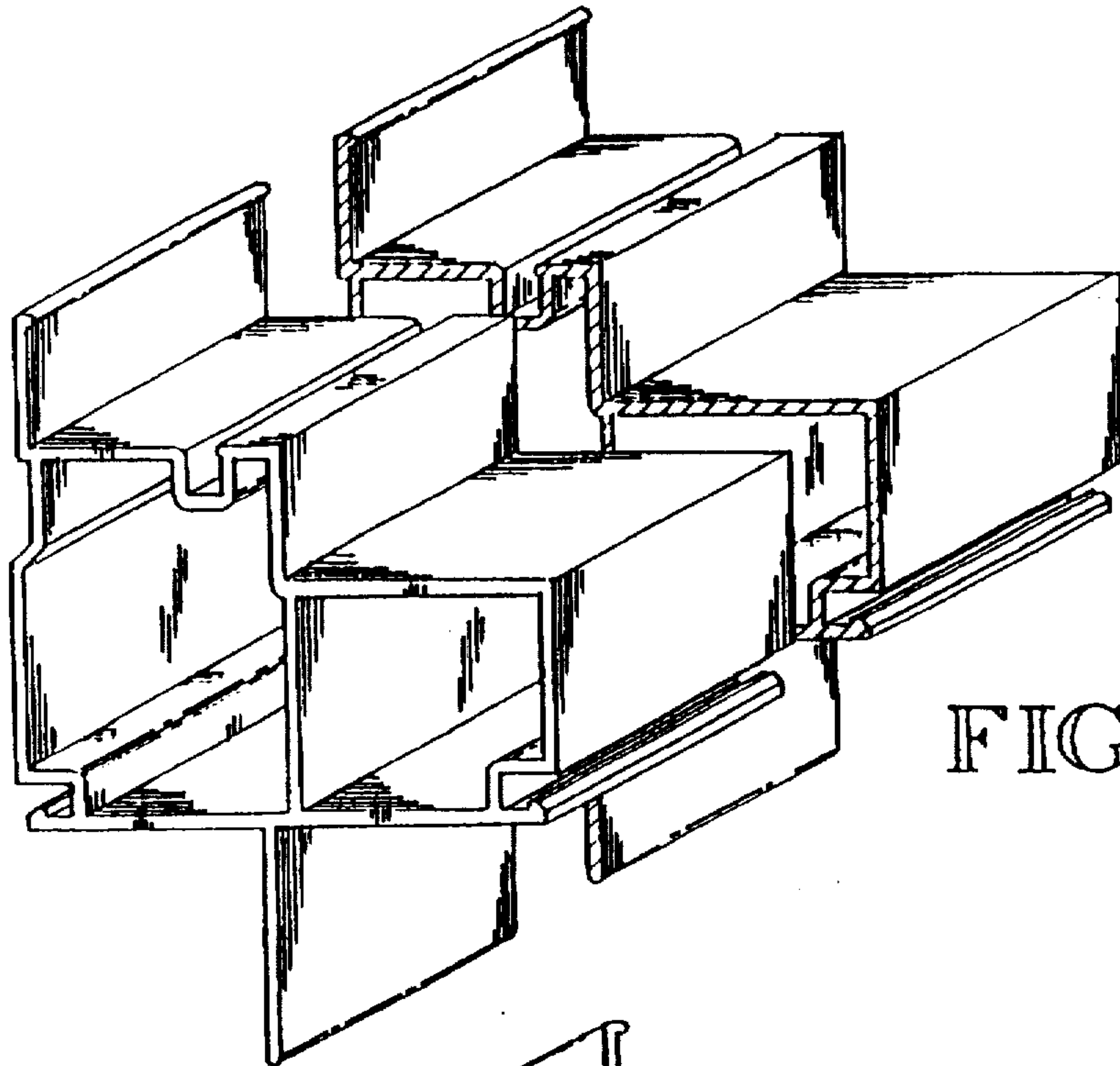


FIG. 1

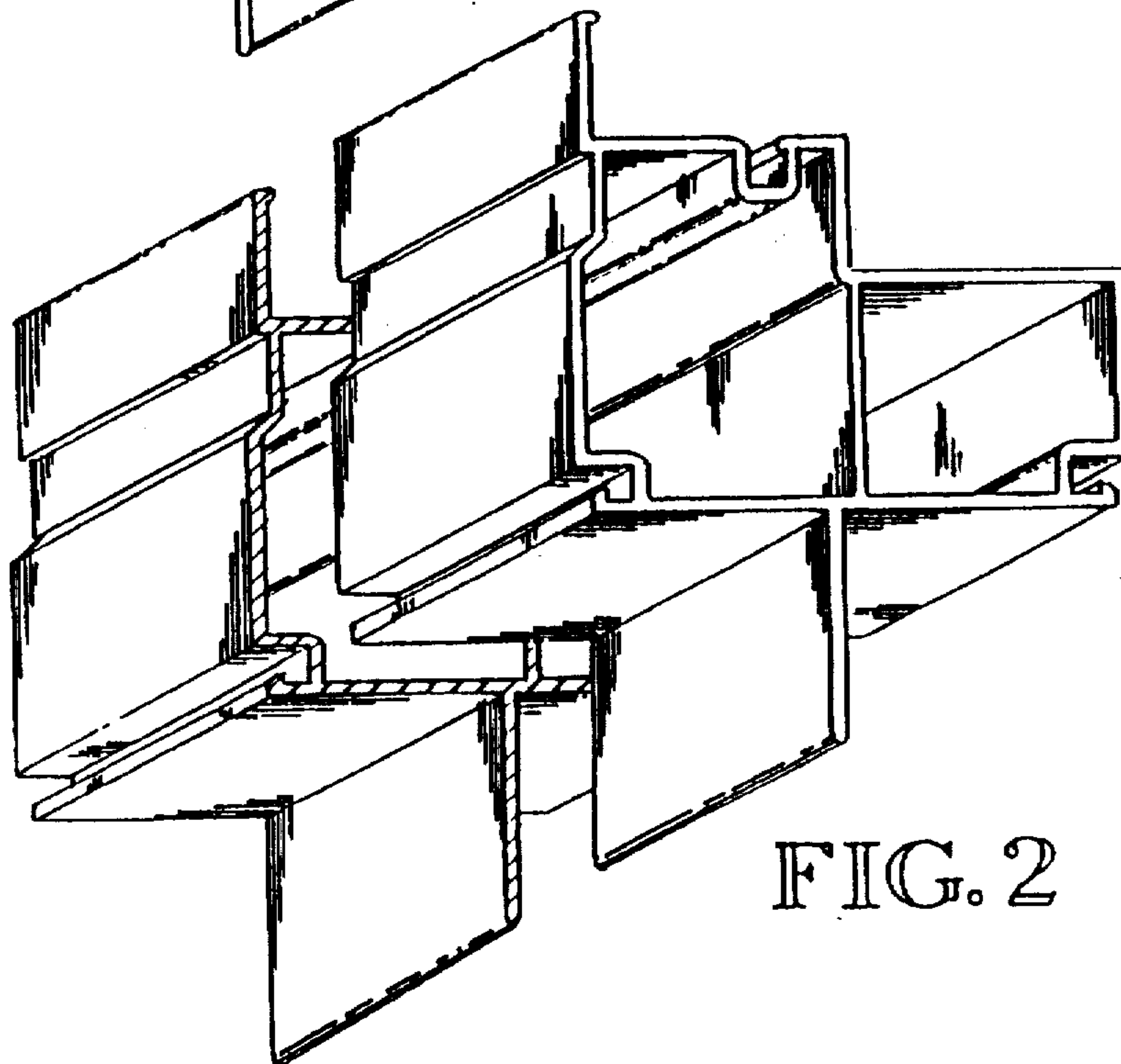


FIG. 2