



US00D441875S

(12) **United States Design Patent**  
**Wylie**

(10) **Patent No.:** **US D441,875 S**

(45) **Date of Patent:** **\*\* May 8, 2001**

(54) **MUNTIN BAR ASSEMBLY CLIP**

5,678,376 \* 10/1997 Poma ..... 52/656.9

(75) Inventor: **Douglas H. Wylie**, Waterdown (CA)

\* cited by examiner

(73) Assignees: **Saint Gobain Bayform Canada Ltd.**,  
Weston (CA); **CertainTeed Corporation**, Valley Forge, PA (US)

*Primary Examiner*—Doris Clark

(74) *Attorney, Agent, or Firm*—Duane Morris & Heckscher LLP

(\*\*) Term: **14 Years**

(57) **CLAIM**

(21) Appl. No.: **29/114,507**

The ornamental design for a muntin bar assembly clip, as shown and described.

(22) Filed: **Nov. 24, 1999**

**DESCRIPTION**

(51) **LOC (7) Cl.** ..... **25-02**

(52) **U.S. Cl.** ..... **D25/61**

(58) **Field of Search** ..... 52/204.53, 204.54,  
52/204.55, 204.62, 204.61, 656.8–656.9,  
665; D25/61, 199

FIG. 1: is a front perspective view of a muntin bar assembly clip of the invention, the rear perspective view being a mirror image thereof;

FIG. 2: is a left side view of the muntin bar assembly clip of FIG. 1;

FIG. 3: is a bottom plan view of the muntin bar assembly clip of FIG. 1; and,

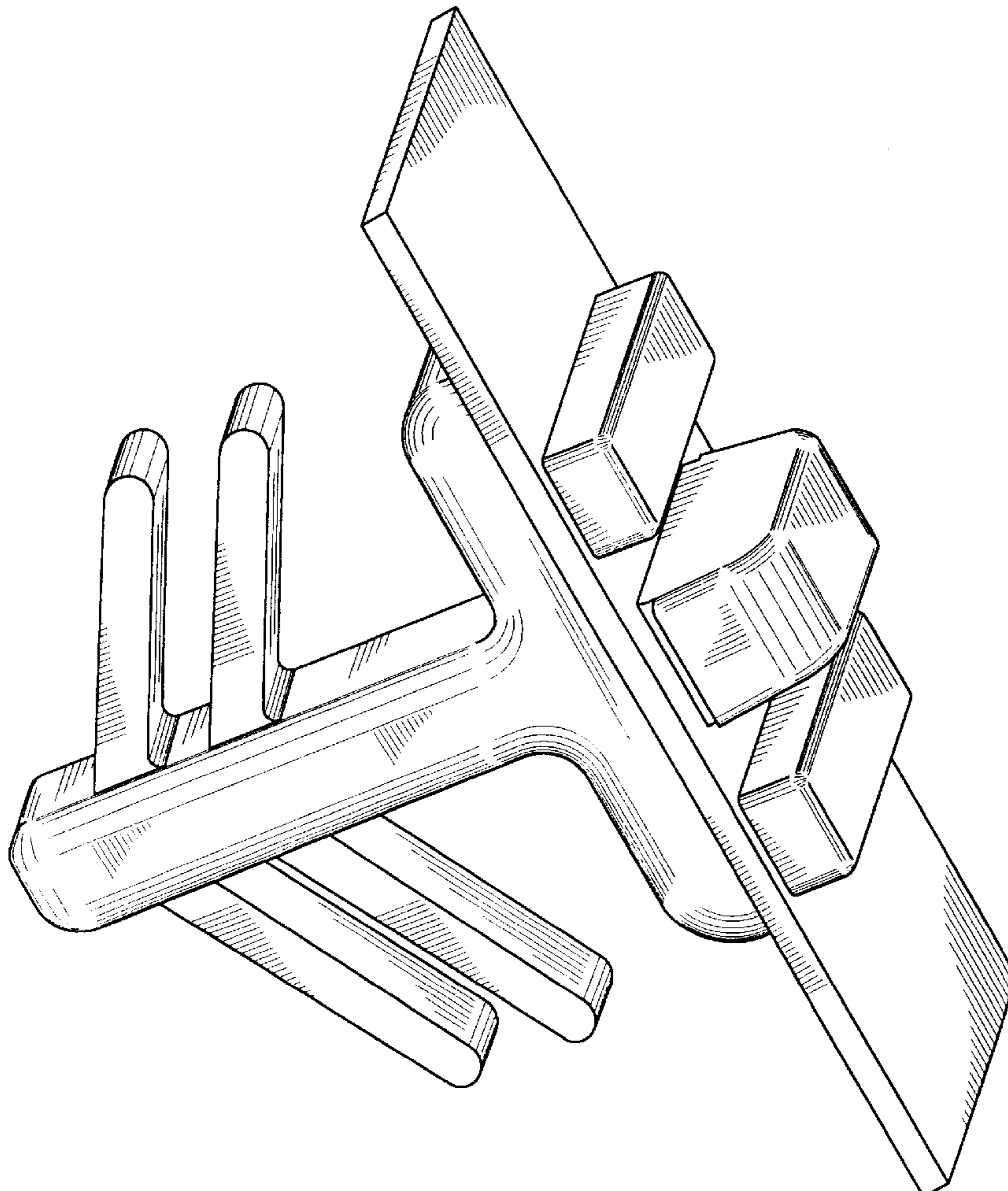
FIG. 4: is a front view of the muntin bar assembly clip of FIG. 1, the rear plan view being a mirror image thereof.

(56) **References Cited**

**U.S. PATENT DOCUMENTS**

D. 380,054 \* 6/1997 Littlejohn ..... D25/61  
5,456,048 \* 10/1995 White ..... 52/656.8

**1 Claim, 2 Drawing Sheets**



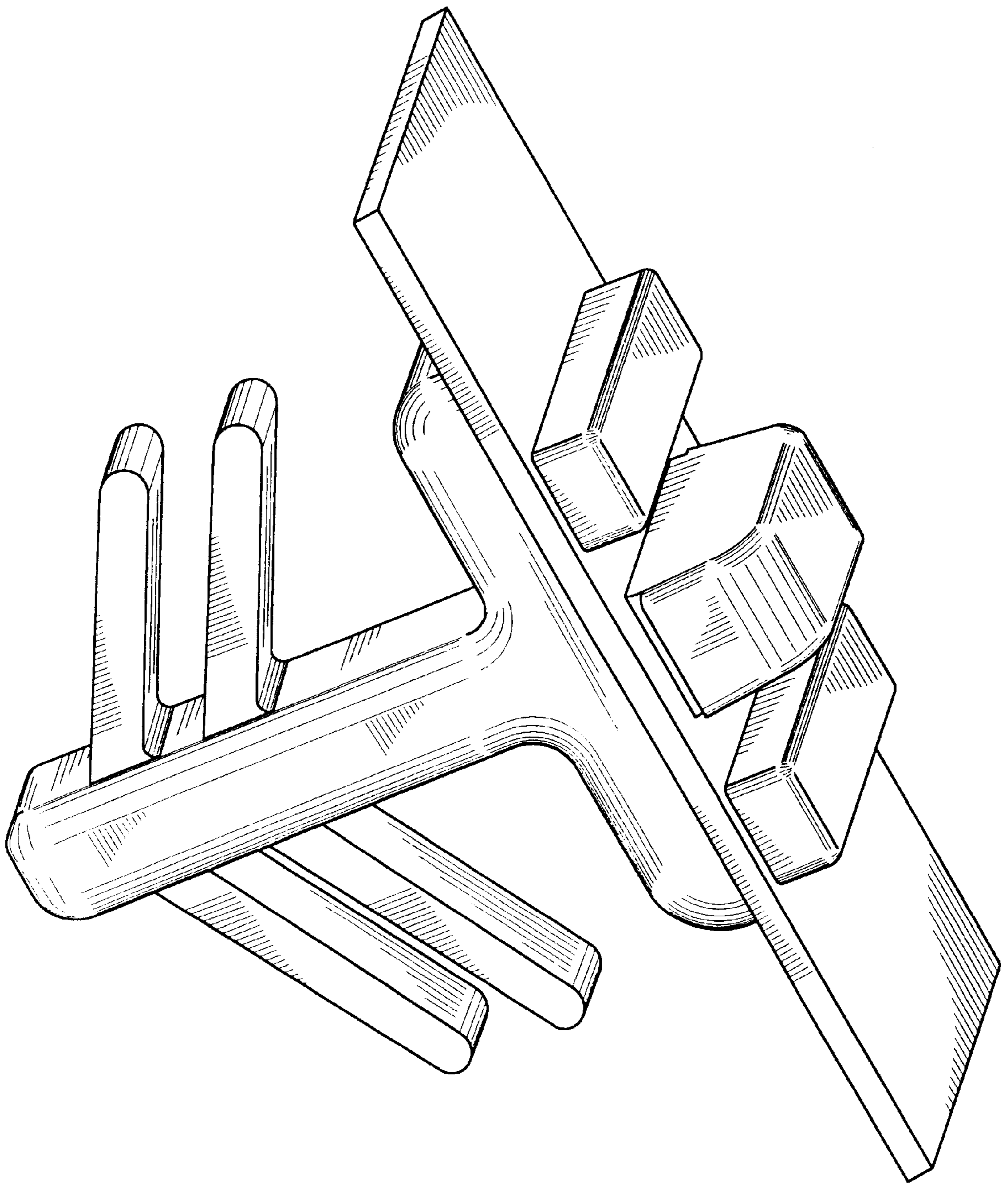


FIG. 1

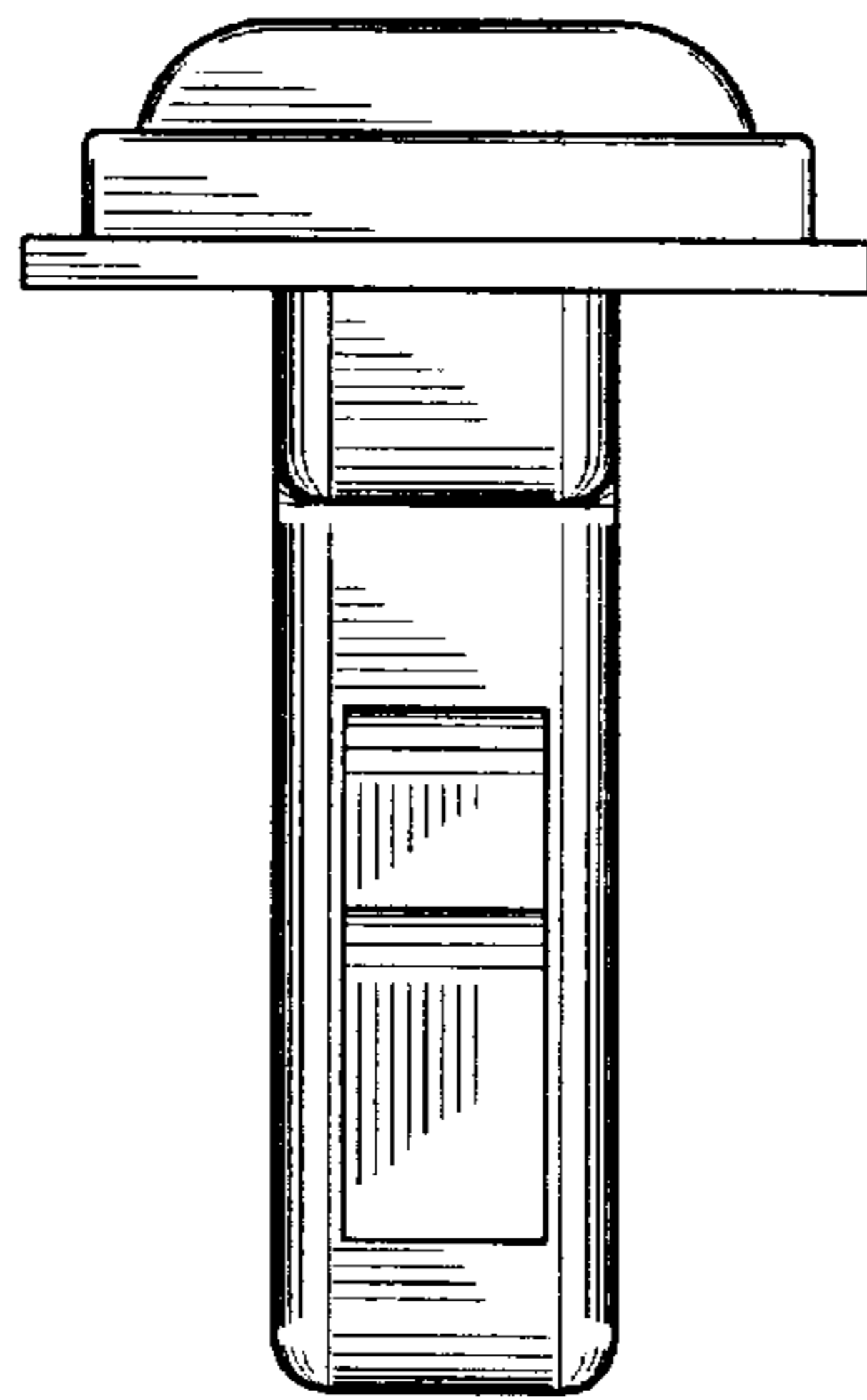


FIG. 2

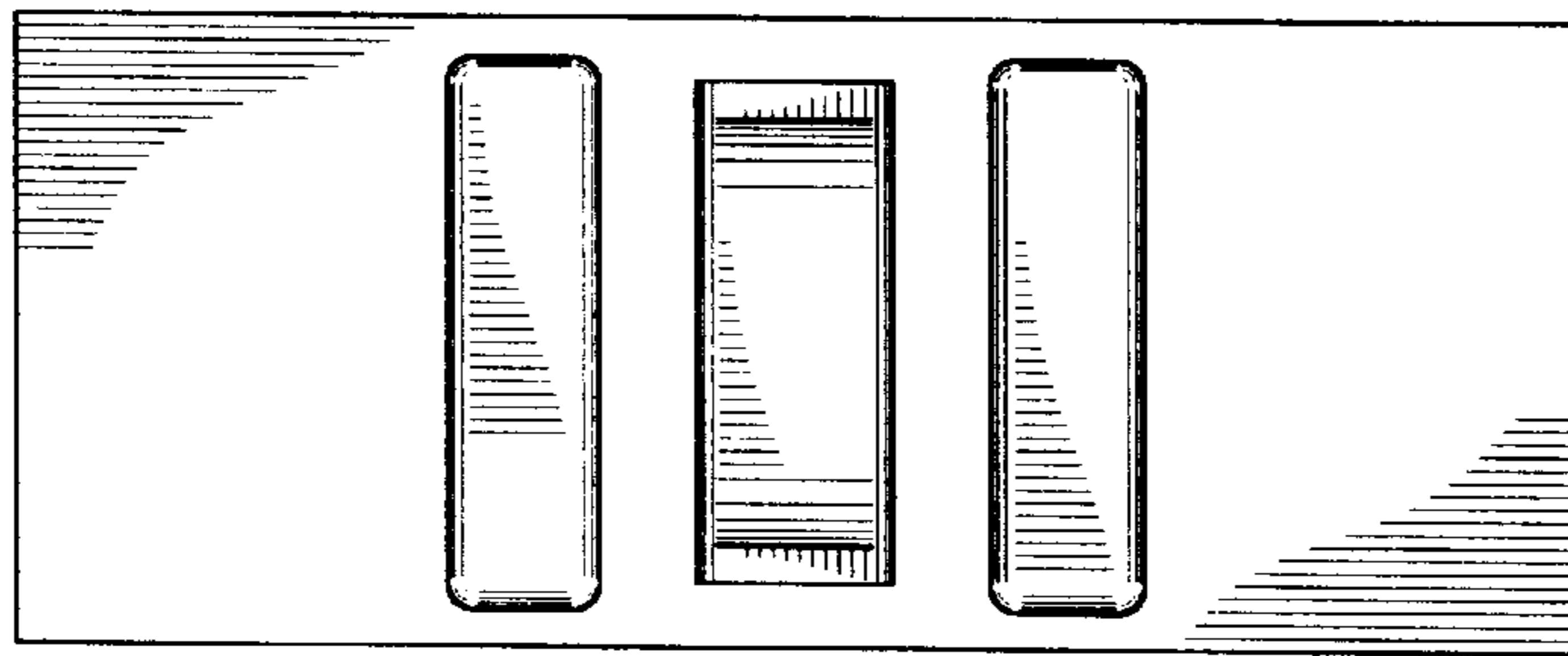


FIG. 3

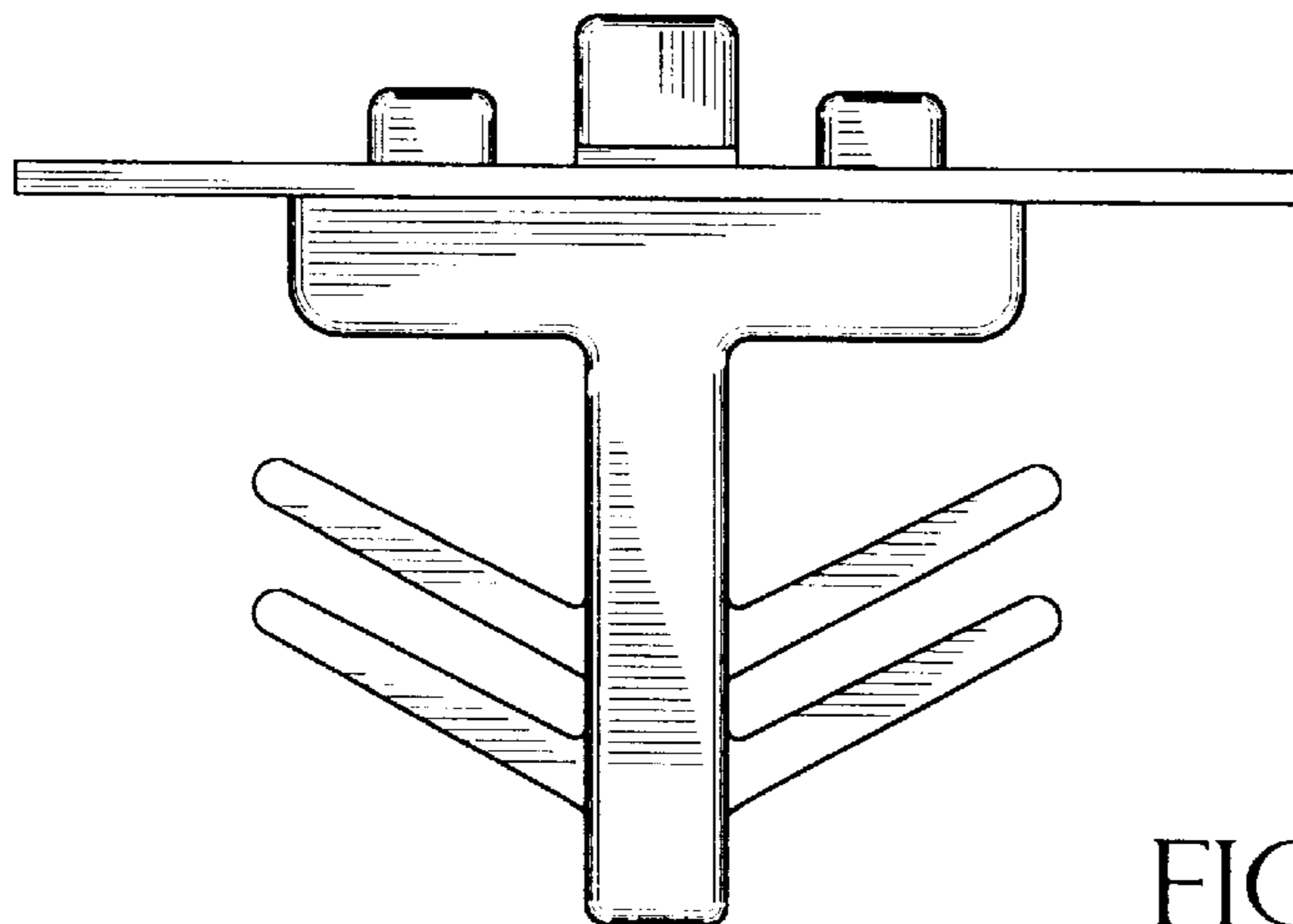


FIG. 4