



US00D441873S

(12) **United States Design Patent**
Köhler

(10) **Patent No.:** **US D441,873 S**

(45) **Date of Patent:** **** May 8, 2001**

(54) **ROTOR FOR A CENTRIFUGE**
(75) Inventor: **Ralf Köhler, Leipzig (DE)**
(73) Assignee: **Eppendorf AG, Hamburg (DE)**
(**) Term: **14 Years**

4,801,290 * 1/1989 Gunter 494/16
4,817,453 * 4/1989 Breslich, Jr. et al. 494/16
4,832,679 * 5/1989 Bader 494/16
6,045,494 * 4/2000 Toyama 494/16

* cited by examiner

Primary Examiner—Ian Simmons

(74) *Attorney, Agent, or Firm*—Brown & Wood, LLP

(21) Appl. No.: **29/117,255**
(22) Filed: **Jan. 20, 2000**

(57) **CLAIM**

The ornamental design of a rotor for a centrifuge, as shown and described.

(30) **Foreign Application Priority Data**

Jul. 21, 1999 (WO) 142 97 8701

DESCRIPTION

(51) **LOC (7) Cl.** **24-02**
(52) **U.S. Cl.** **D24/219**
(58) **Field of Search** D24/219; 494/16,
494/43, 44, 34, 31; 422/72, 102, 104, 68,
67, 64

FIG. 1 shows a top view of a rotor for a centrifuge according to my new design;

FIG. 2 shows a side elevational view of the rotor for a centrifuge shown in FIG. 1;

FIG. 3 shows a bottom view of the rotor for centrifuge shown in FIGS. 1-2 ; and,

FIG. 4 is a cross-sectional view of the rotor for a centrifuge, taken from the line 4—4 of FIG. 1.

(56) **References Cited**

U.S. PATENT DOCUMENTS

D. 231,924 * 6/1974 Pollard D24/219
D. 231,981 * 7/1974 Paulsen D24/219

1 Claim, 2 Drawing Sheets

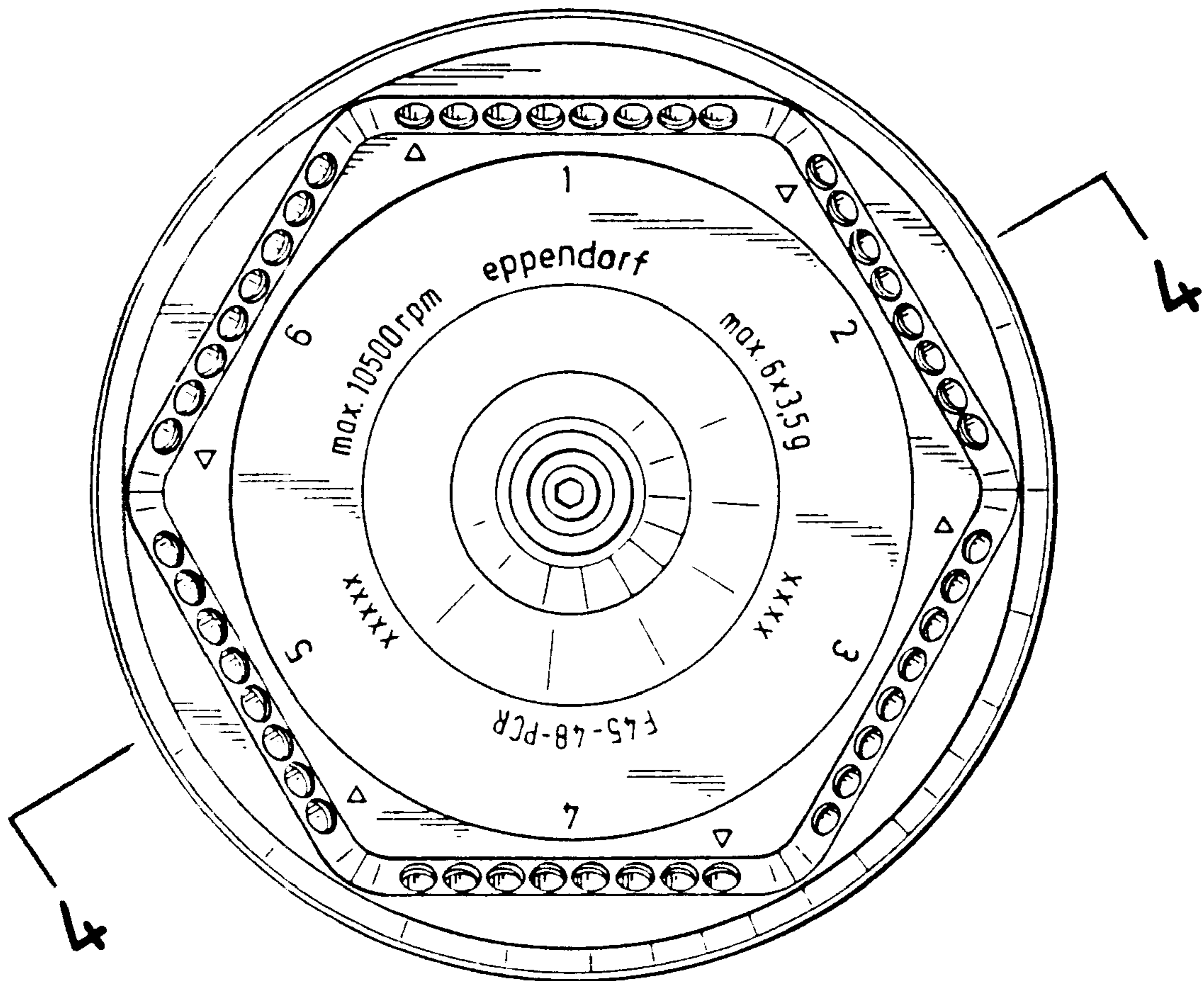


Fig. 1

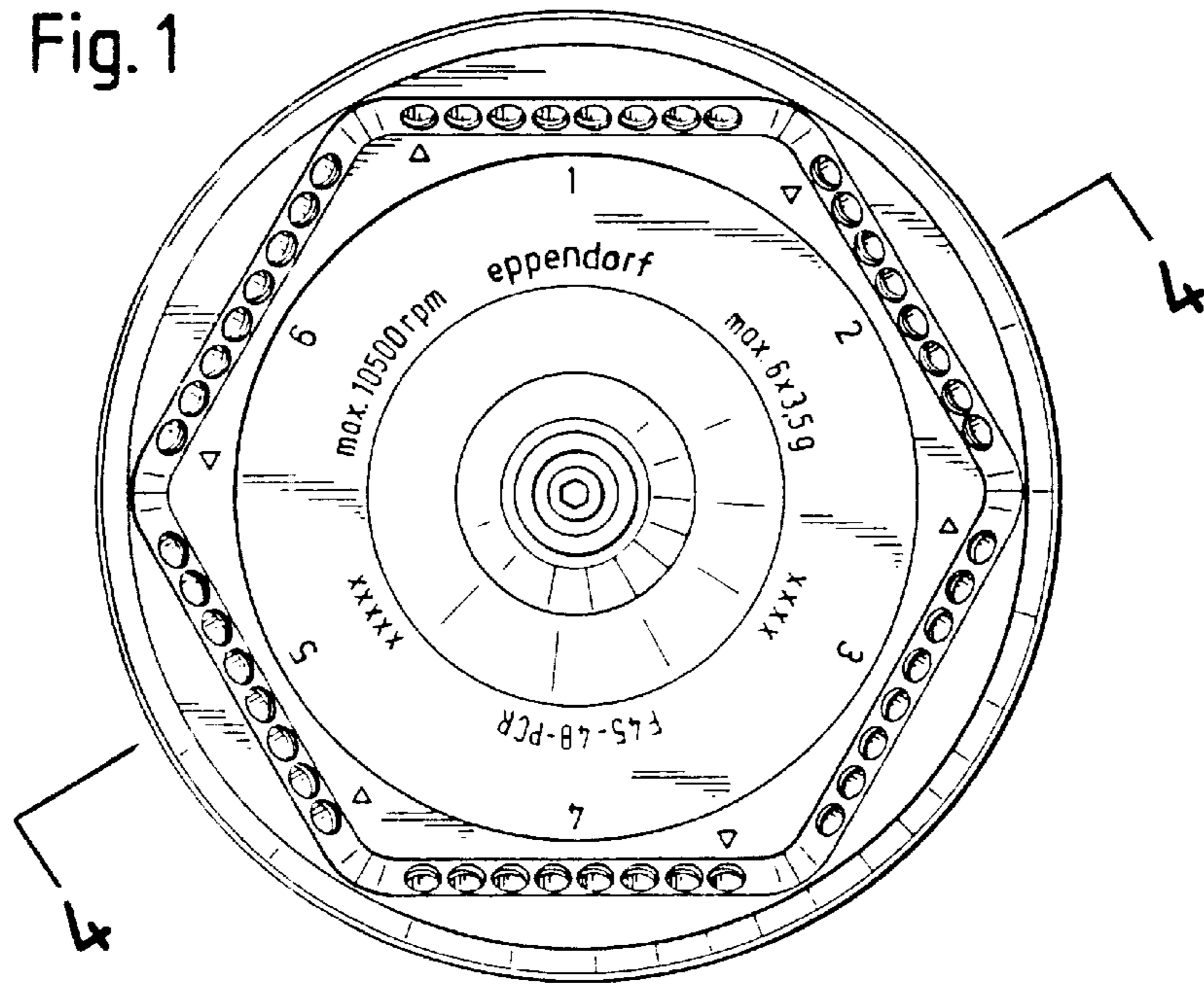


Fig. 2

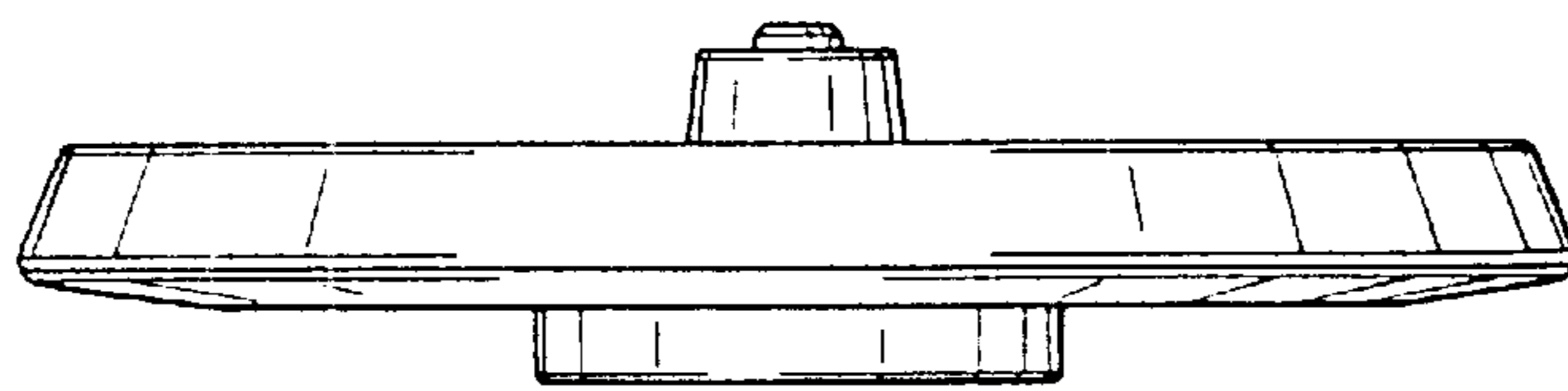


Fig. 3

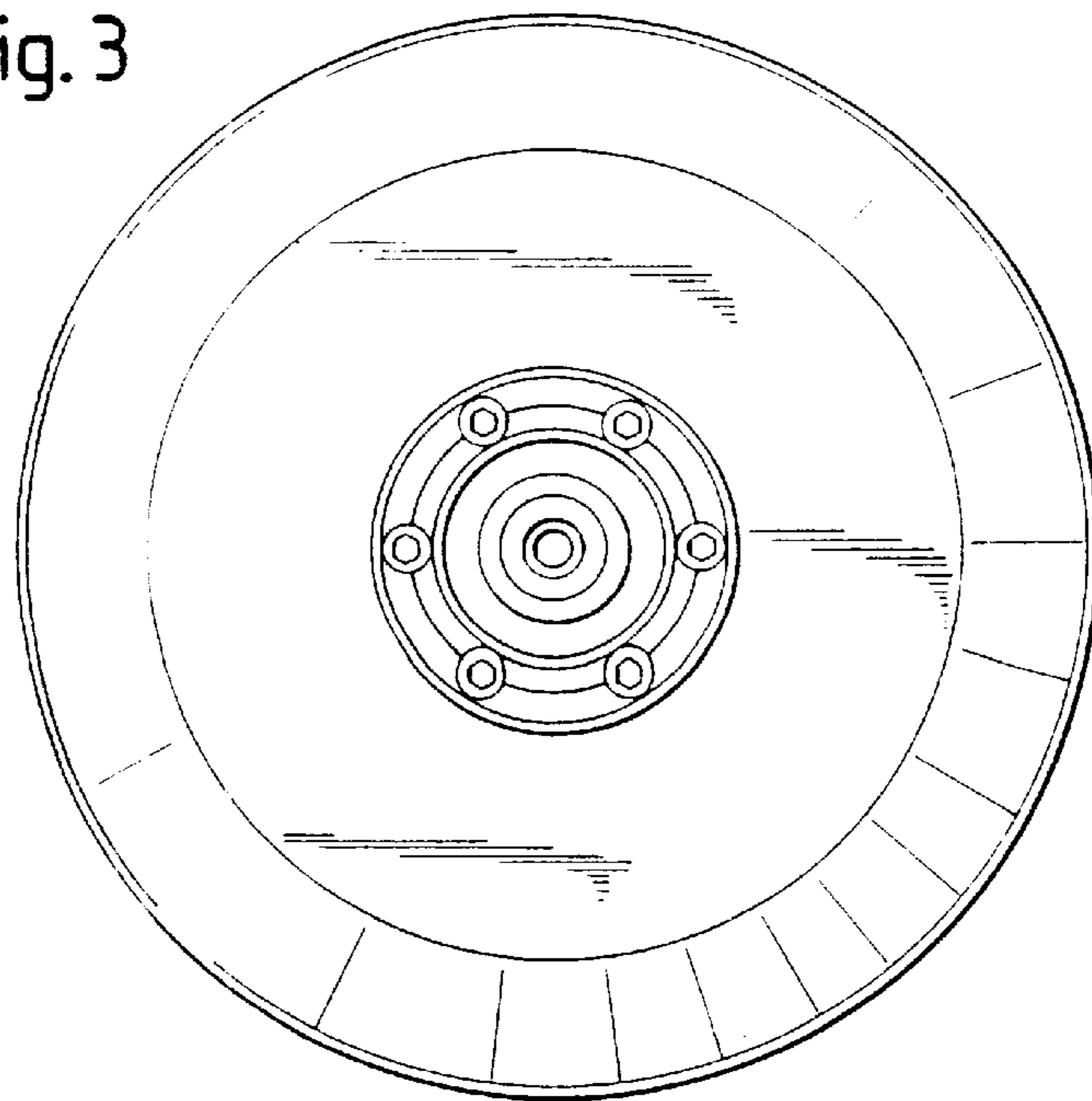


Fig. 4

