



US00D441871S

(12) **United States Design Patent**  
**Fedale**

(10) **Patent No.:** **US D441,871 S**

(45) **Date of Patent:** **\*\* May 8, 2001**

(54) **BABY BOTTLE**

(76) **Inventor:** **Ruth Fedale**, 2502 Blackwood Rd.,  
Wilmington, DE (US) 19810

(\*\*) **Term:** **14 Years**

(21) **Appl. No.:** **29/112,003**

(22) **Filed:** **Oct. 7, 1999**

(51) **LOC (7) Cl.** ..... **07-01**

(52) **U.S. Cl.** ..... **D24/197**

(58) **Field of Search** ..... D24/197, 198;  
215/11.1, 11.2, 11.3, 11.4, 11.5, 11.6; D9/516,  
519, 537, 545, 547, 549

(56) **References Cited**

**U.S. PATENT DOCUMENTS**

- D. 211,434 \* 6/1968 Atkin ..... D24/197
- D. 287,767 \* 1/1987 Simmons ..... D24/198
- D. 288,127 \* 2/1987 Simmons ..... D24/198

- D. 341,206 \* 11/1993 Tsuji ..... D24/197
- D. 380,828 \* 7/1997 Franchi ..... D24/117
- D. 397,216 \* 8/1998 Armand ..... D24/117

\* cited by examiner

*Primary Examiner*—Stella Reid

(74) *Attorney, Agent, or Firm*—William Wright

(57) **CLAIM**

The ornamental design for a baby bottle, as shown and described.

**DESCRIPTION**

FIG. 1 is a perspective view of the baby bottle showing my new design;

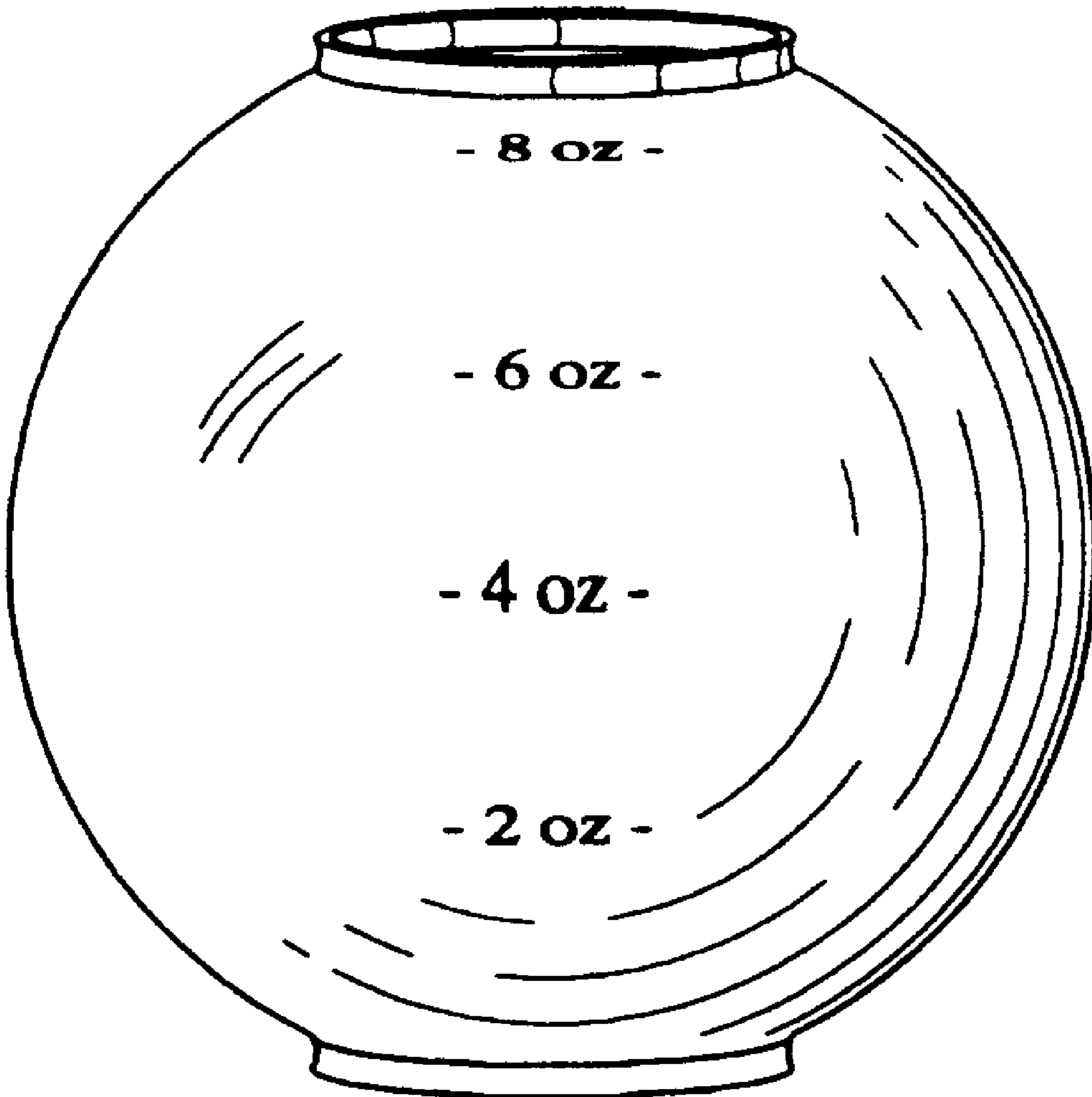
FIG. 2 is a front elevational view thereof;

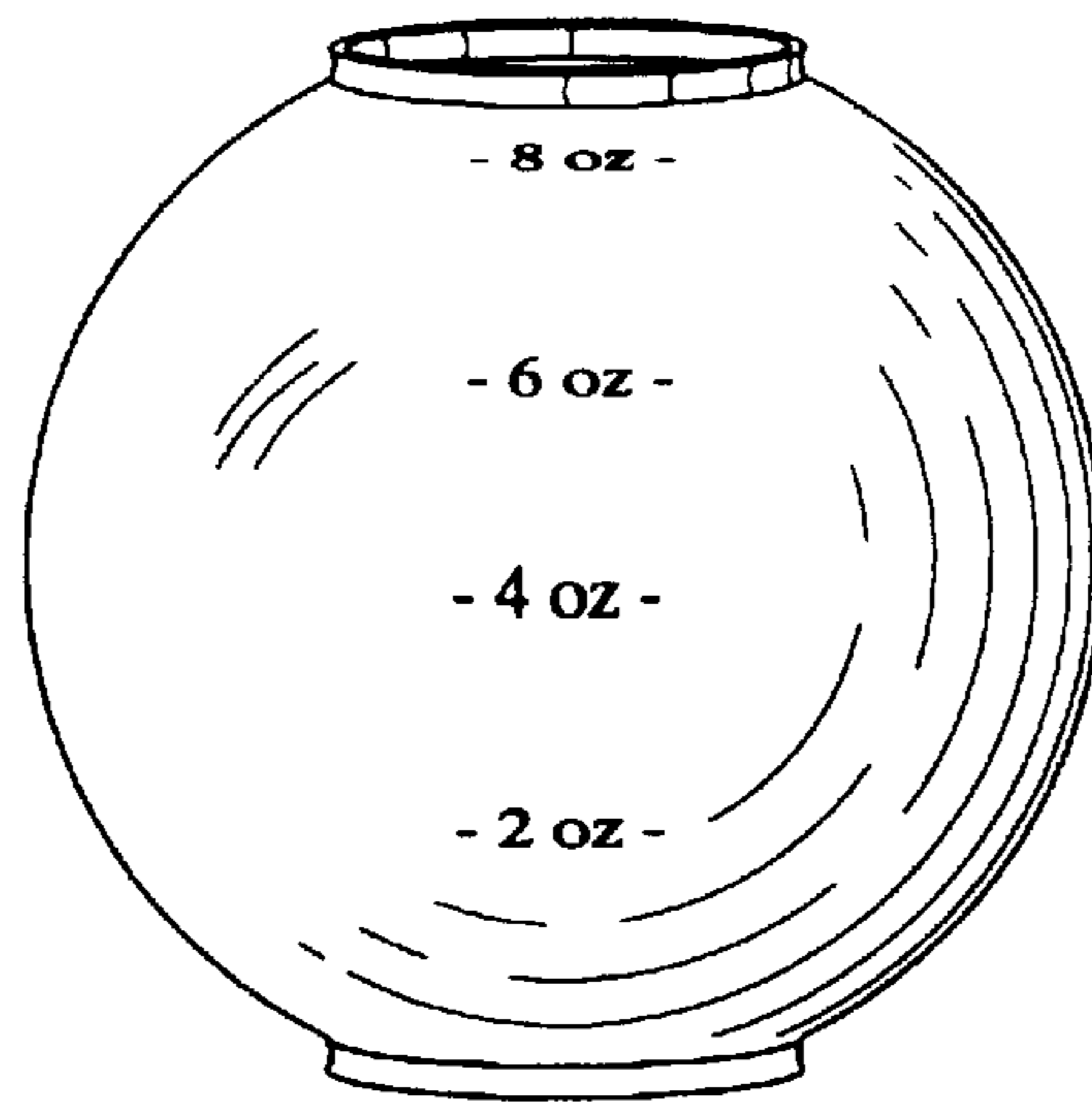
FIG. 3 is a side elevational view thereof;

FIG. 4 is a top plan view thereof; and,

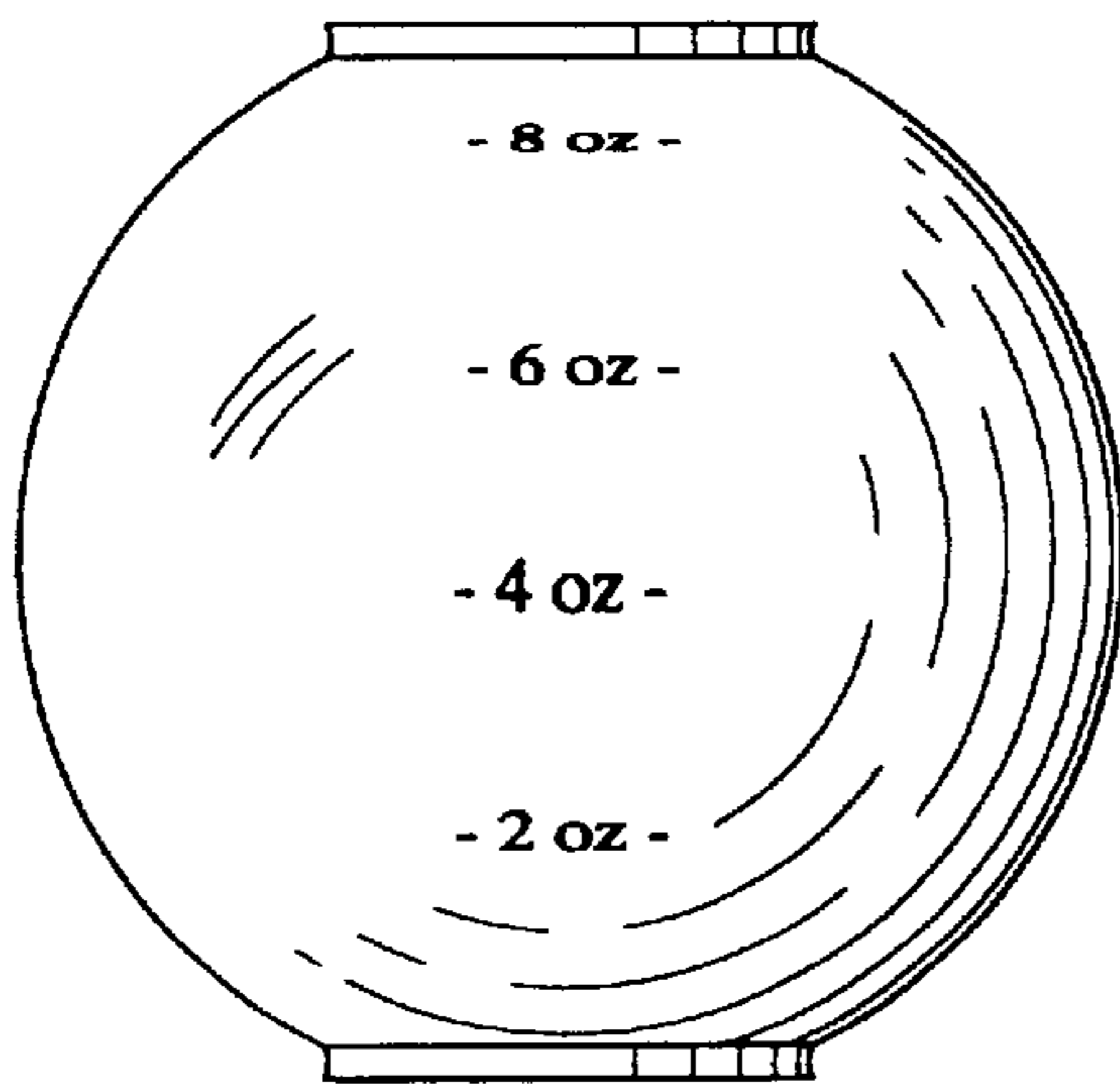
FIG. 5 is a bottom plan view thereof.

**1 Claim, 1 Drawing Sheet**

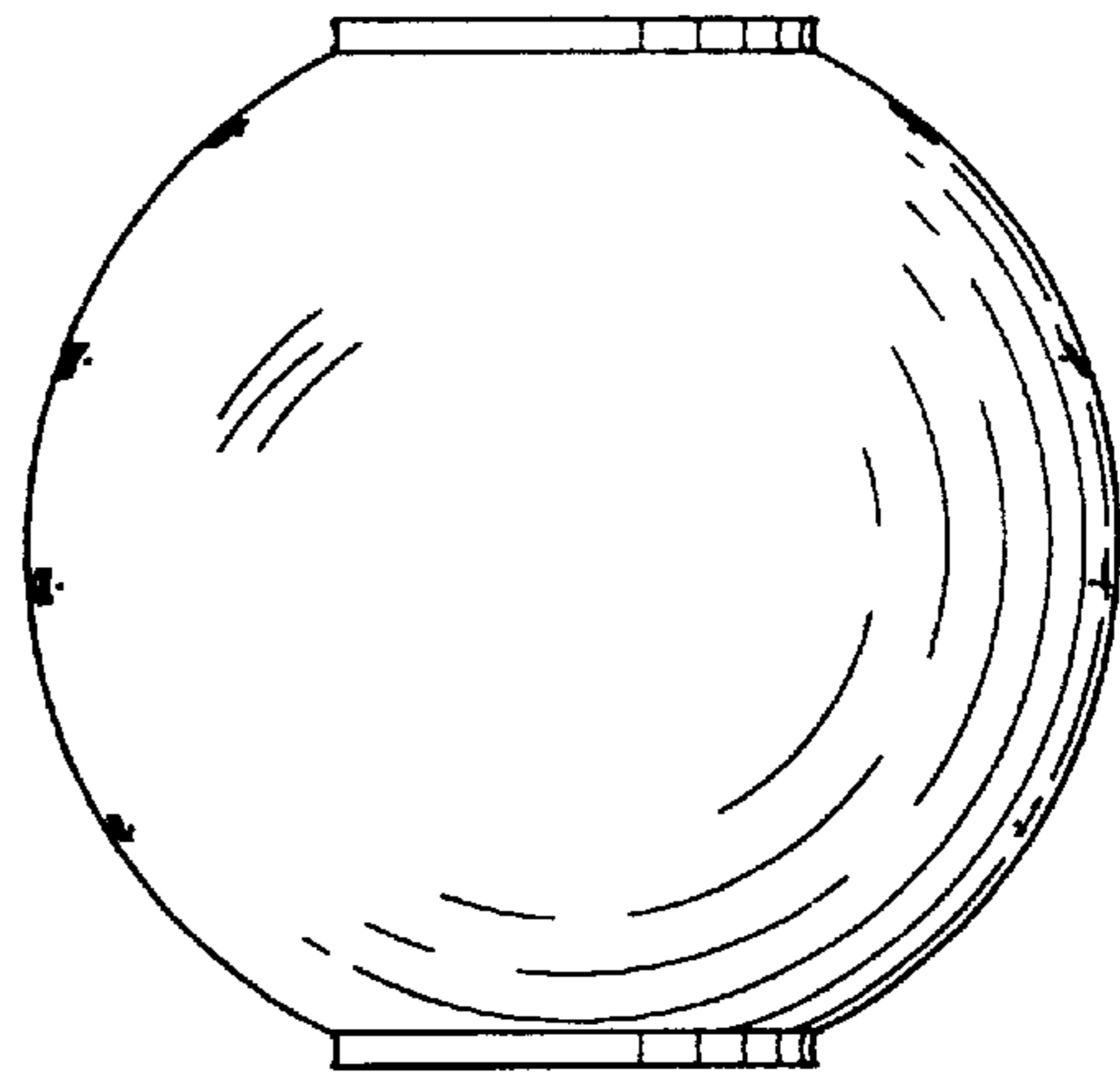




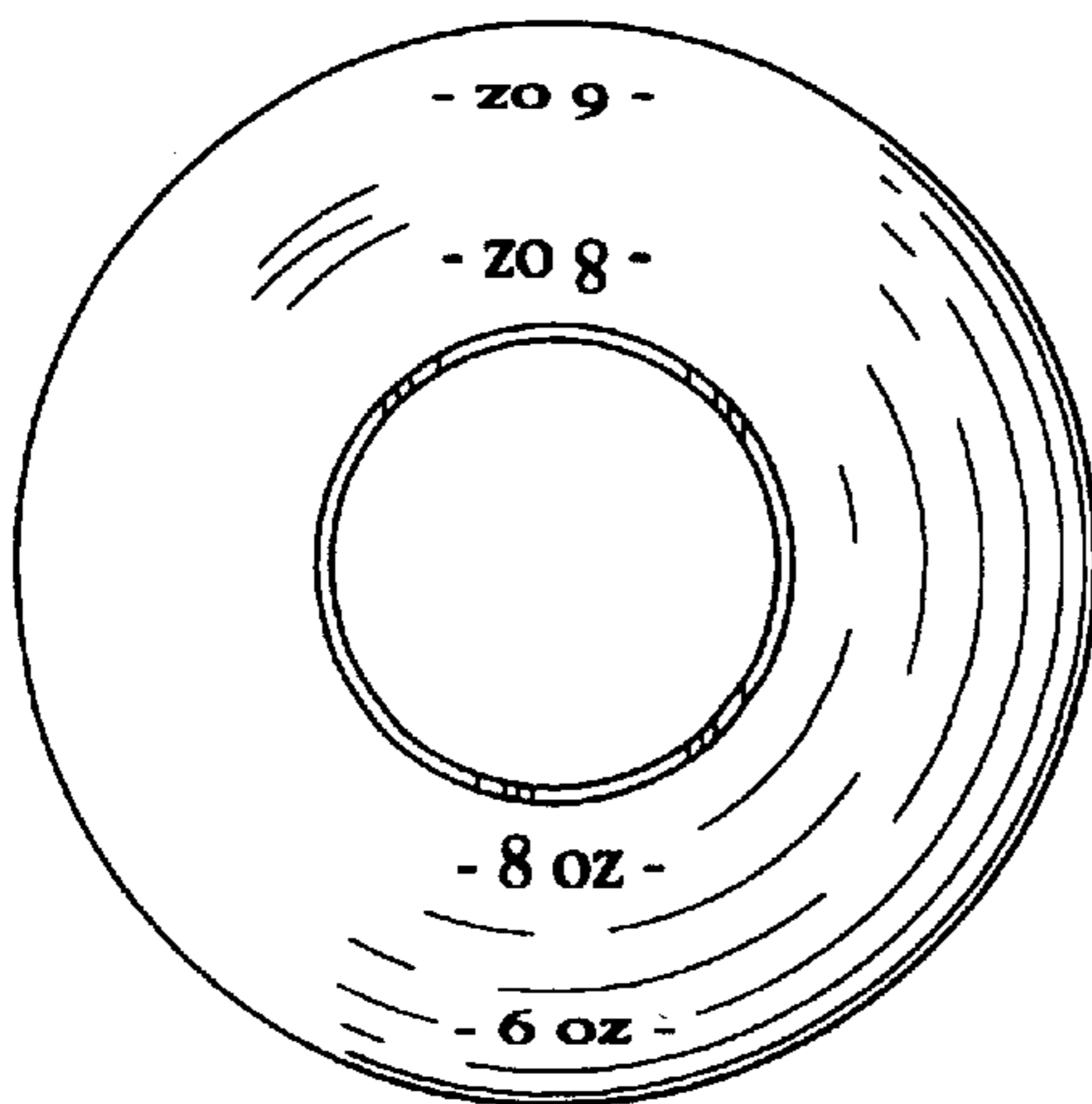
**Fig. 1**



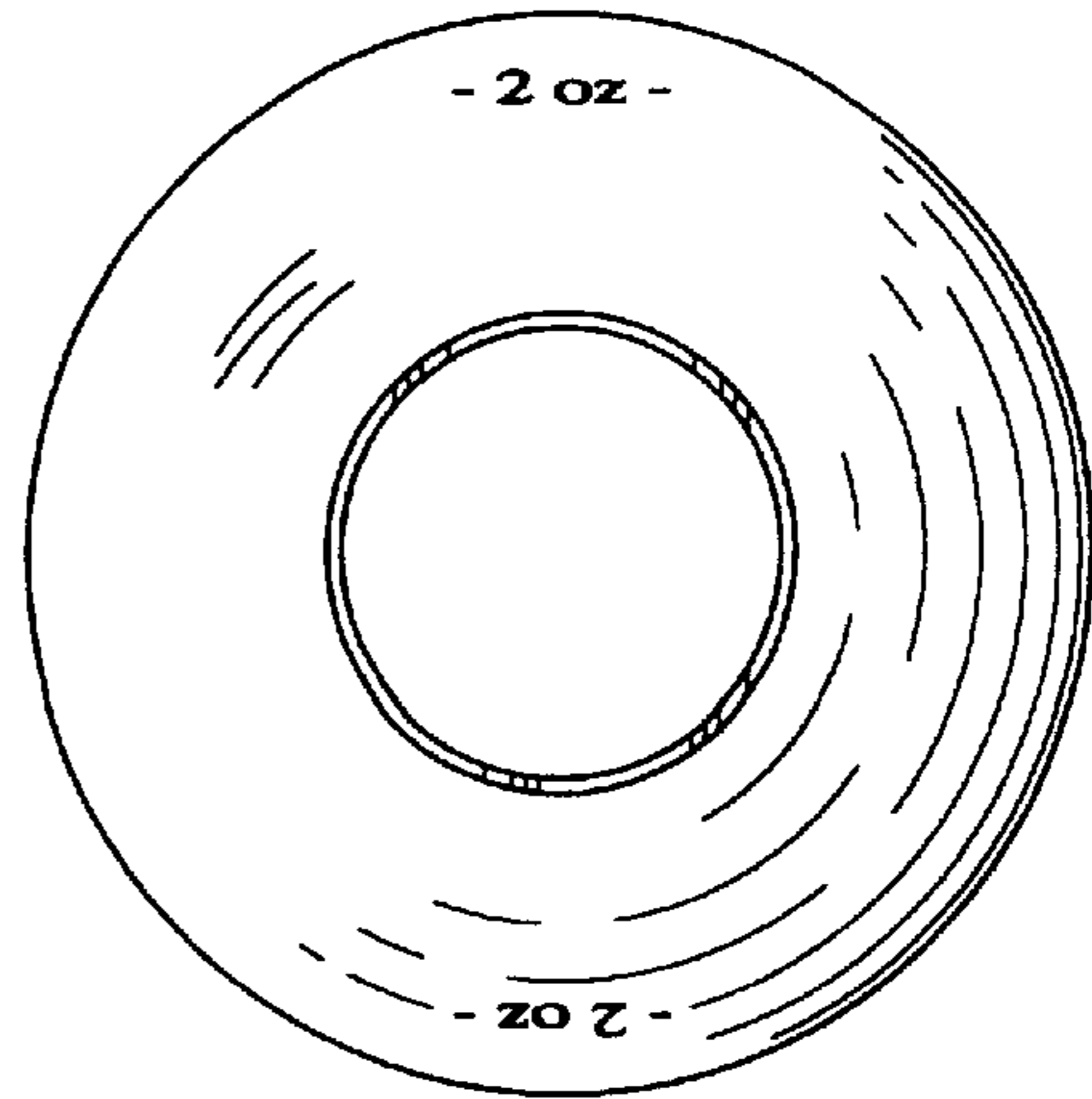
**Fig. 2**



**Fig. 3**



**Fig. 4**



**Fig. 5**