



US00D441868S

(12) **United States Design Patent**
Rodenas Santiago et al.

(10) **Patent No.:** **US D441,868 S**
(45) **Date of Patent:** **** May 8, 2001**

(54) **SUPPORTING TABLE FOR HUMAN BODIES,
HAVING A RADIOLOGIC APPLICATION**

(75) Inventors: **Juan Rodenas Santiago; José Maria
Ortega Jimenez**, both of Madrid (ES)

(73) Assignee: **Suinsa Subcontratas Internacionales,
S.A.**, Torrejon de Ardoz (ES)

(**) Term: **14 Years**

(21) Appl. No.: **29/118,594**

(22) Filed: **Feb. 14, 2000**

(30) **Foreign Application Priority Data**

Aug. 13, 1999 (ES) 146168

(51) **LOC (7) Cl.** **24-01**

(52) **U.S. Cl.** **D24/183**

(58) **Field of Search** D24/183; 5/600,
5/601, 612, 614; 312/209; 378/209

(56) **References Cited**

U.S. PATENT DOCUMENTS

- D. 200,377 * 2/1965 Burzlaff et al. D24/183
- D. 204,222 * 3/1966 Dailey D24/183
- D. 260,172 * 8/1981 Kyle D24/183
- 3,158,742 * 11/1964 Morel et al. 378/209

- 4,452,439 * 6/1984 Hogan 5/601
- 4,552,347 * 11/1985 Wallis 5/601
- 4,674,107 * 6/1987 Urban et al. 378/98
- 4,718,077 * 1/1988 Moore et al. 378/209
- 4,880,222 * 11/1989 Dragmen, Sr. 5/601

* cited by examiner

Primary Examiner—Stella Reid

(74) *Attorney, Agent, or Firm*—Jacobson, Price, Holman &
Stern, PLLC

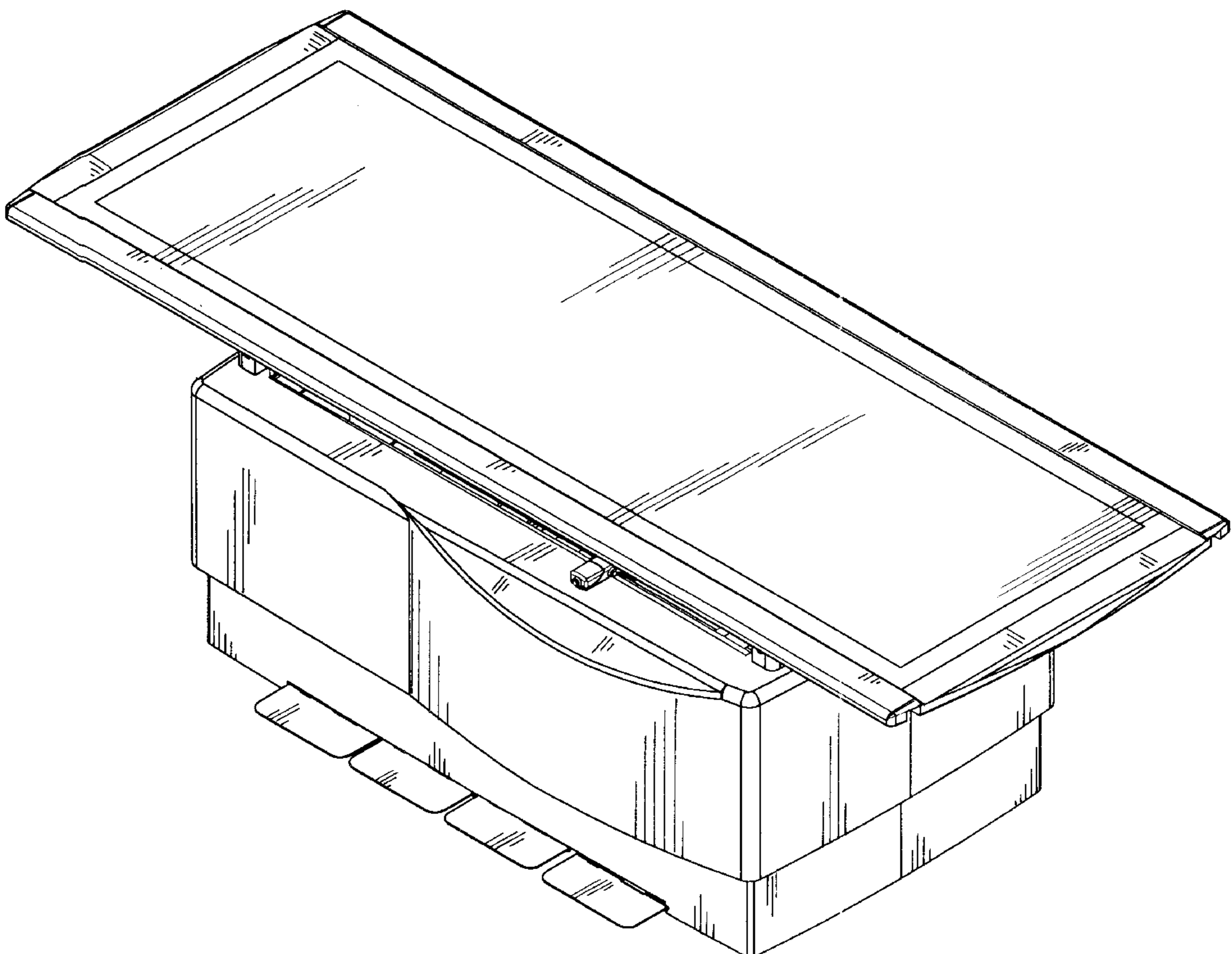
(57) **CLAIM**

The ornamental design for a supporting table for human bodies, having a radiologic application, as shown and described.

DESCRIPTION

FIG. 1 is a top perspective view showing our new design for a supporting table for human bodies, having a radiologic application,
FIG. 2 is a bottom perspective view thereof;
FIG. 3 is a left side view thereof;
FIG. 4 is a right side view thereof;
FIG. 5 is a top plan view thereof;
FIG. 6 is a bottom plan view thereof;
FIG. 7 is a front view thereof; and,
FIG. 8 is a rear view thereof.

1 Claim, 7 Drawing Sheets



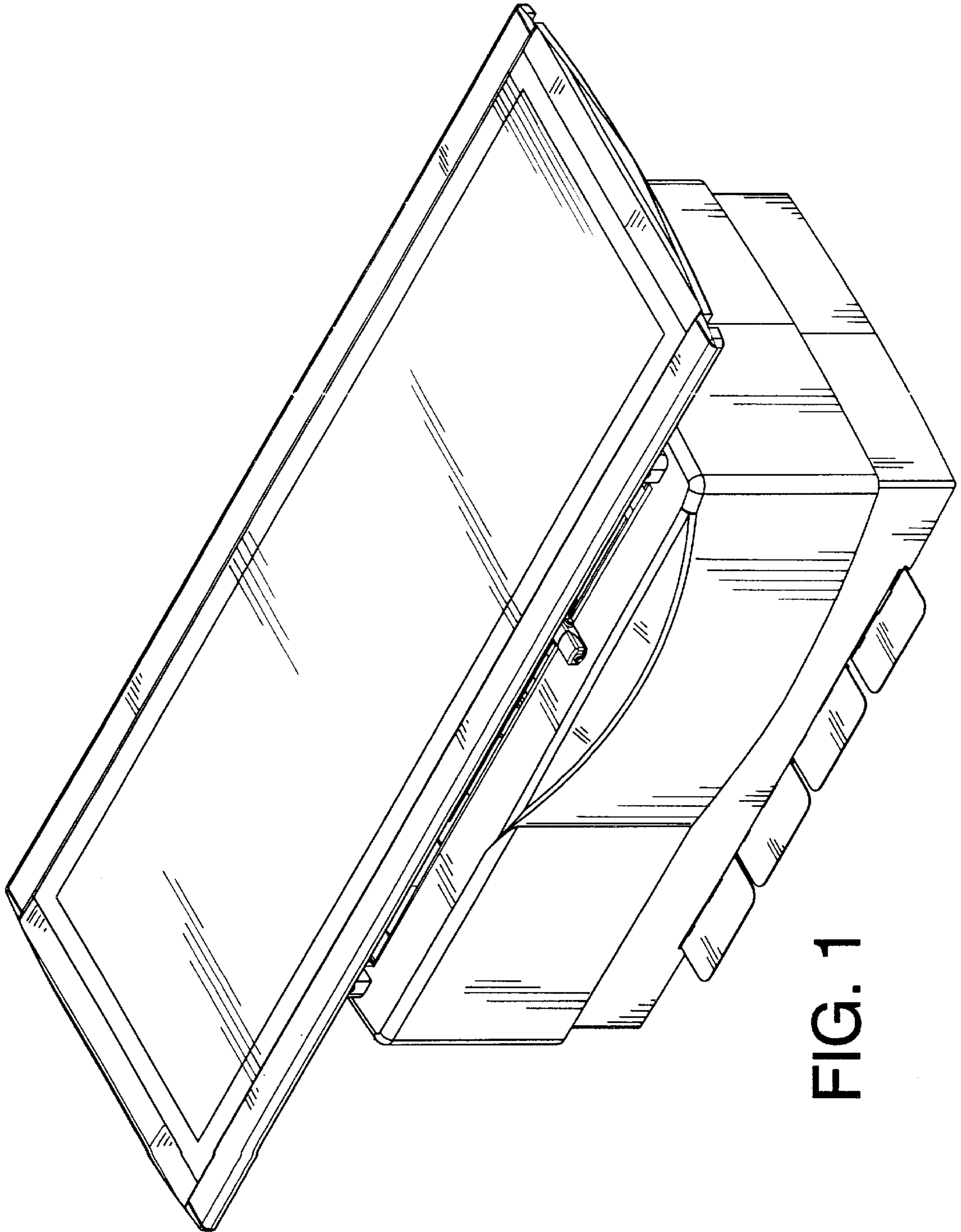


FIG. 1

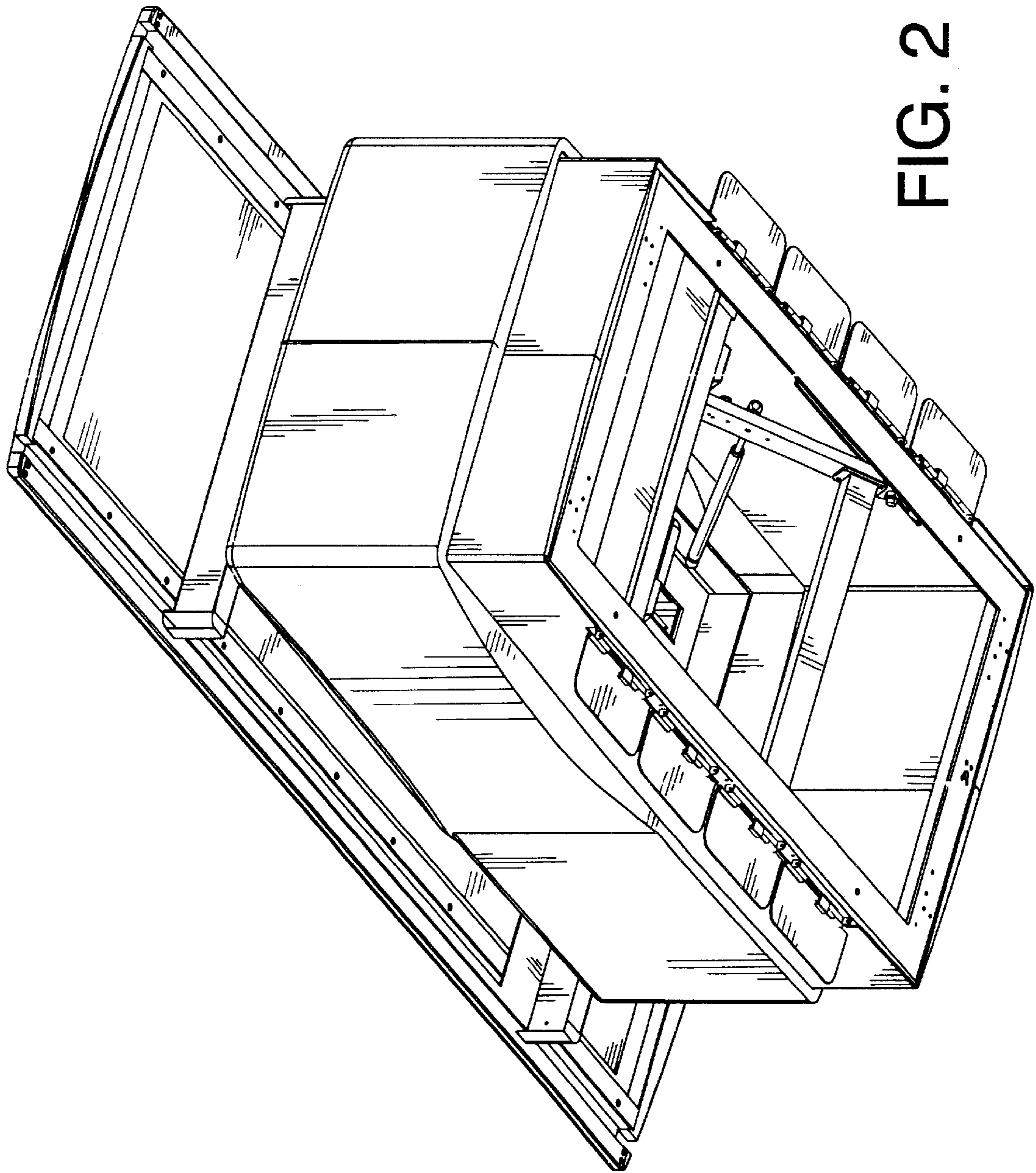


FIG. 2

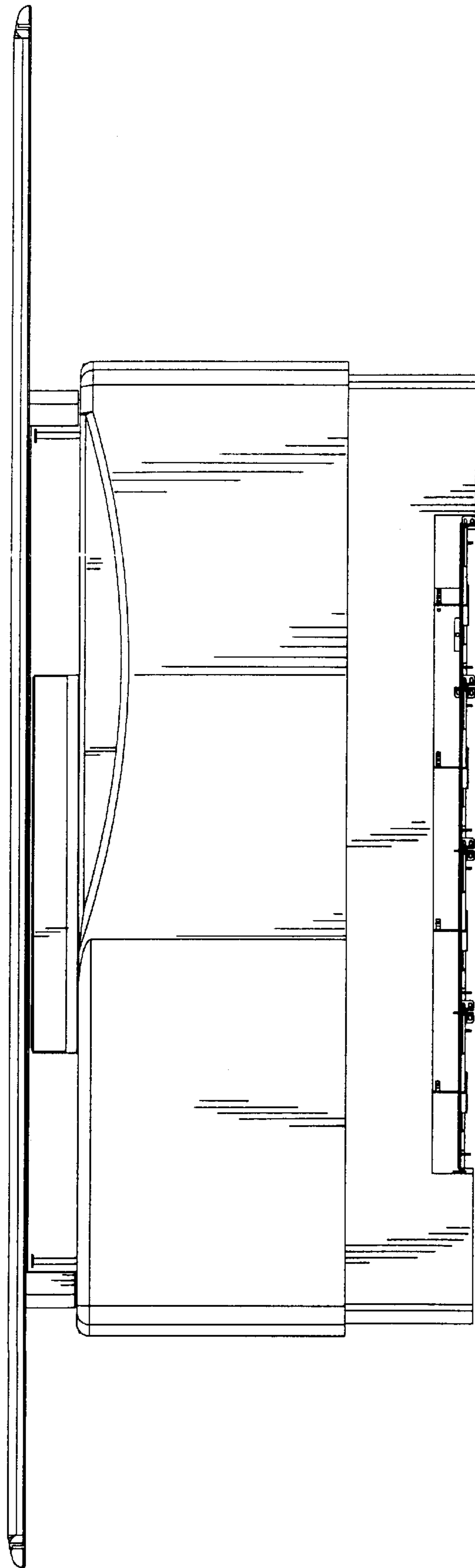


FIG. 3

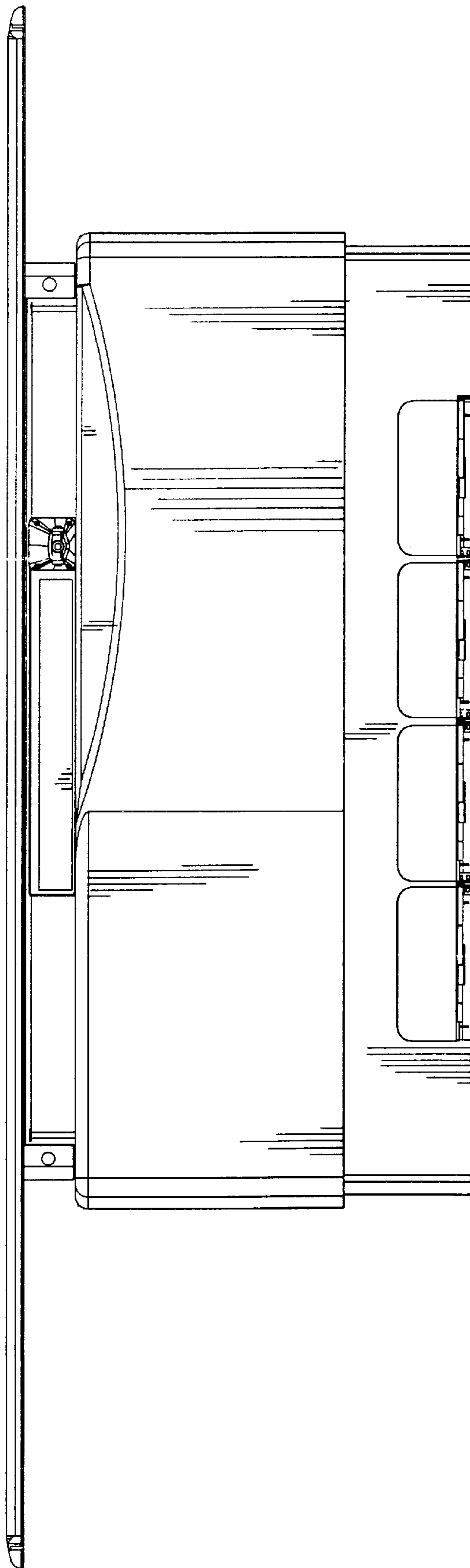


FIG. 4

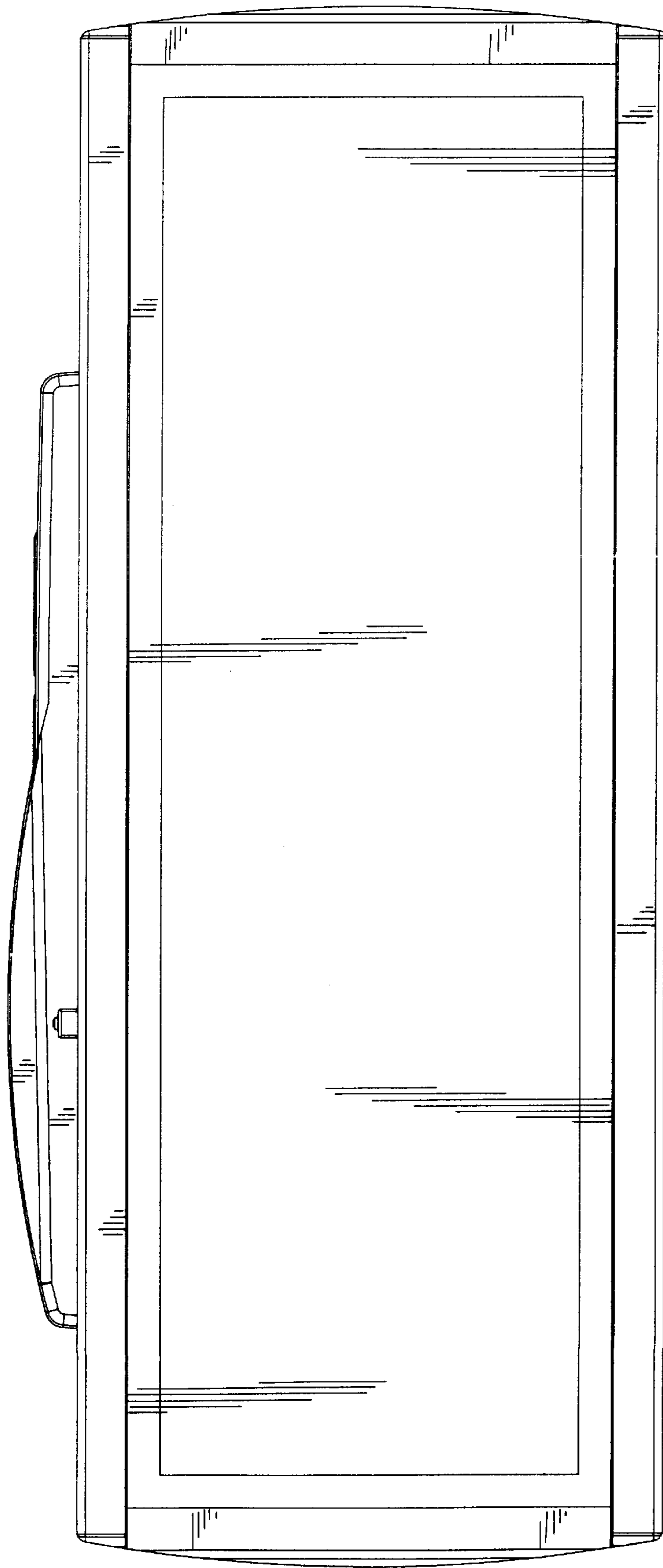


FIG. 5

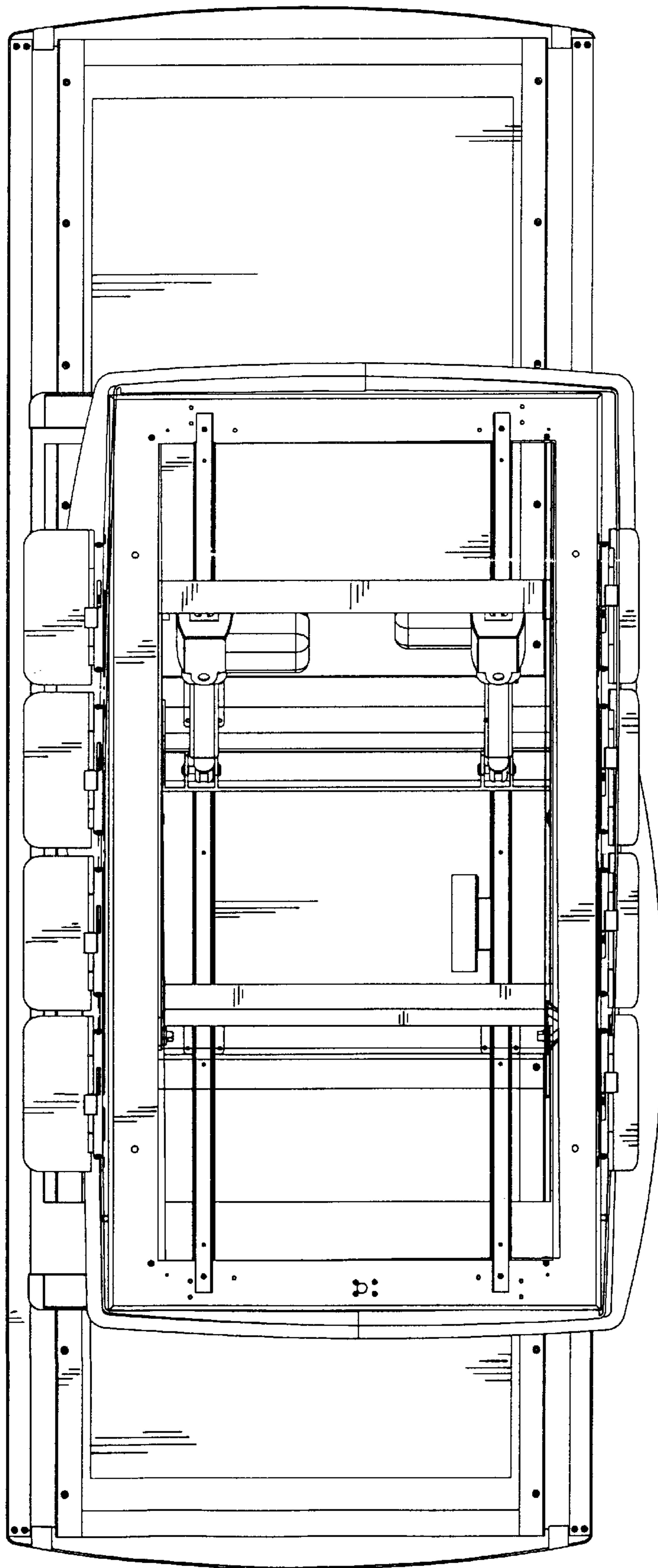


FIG. 6

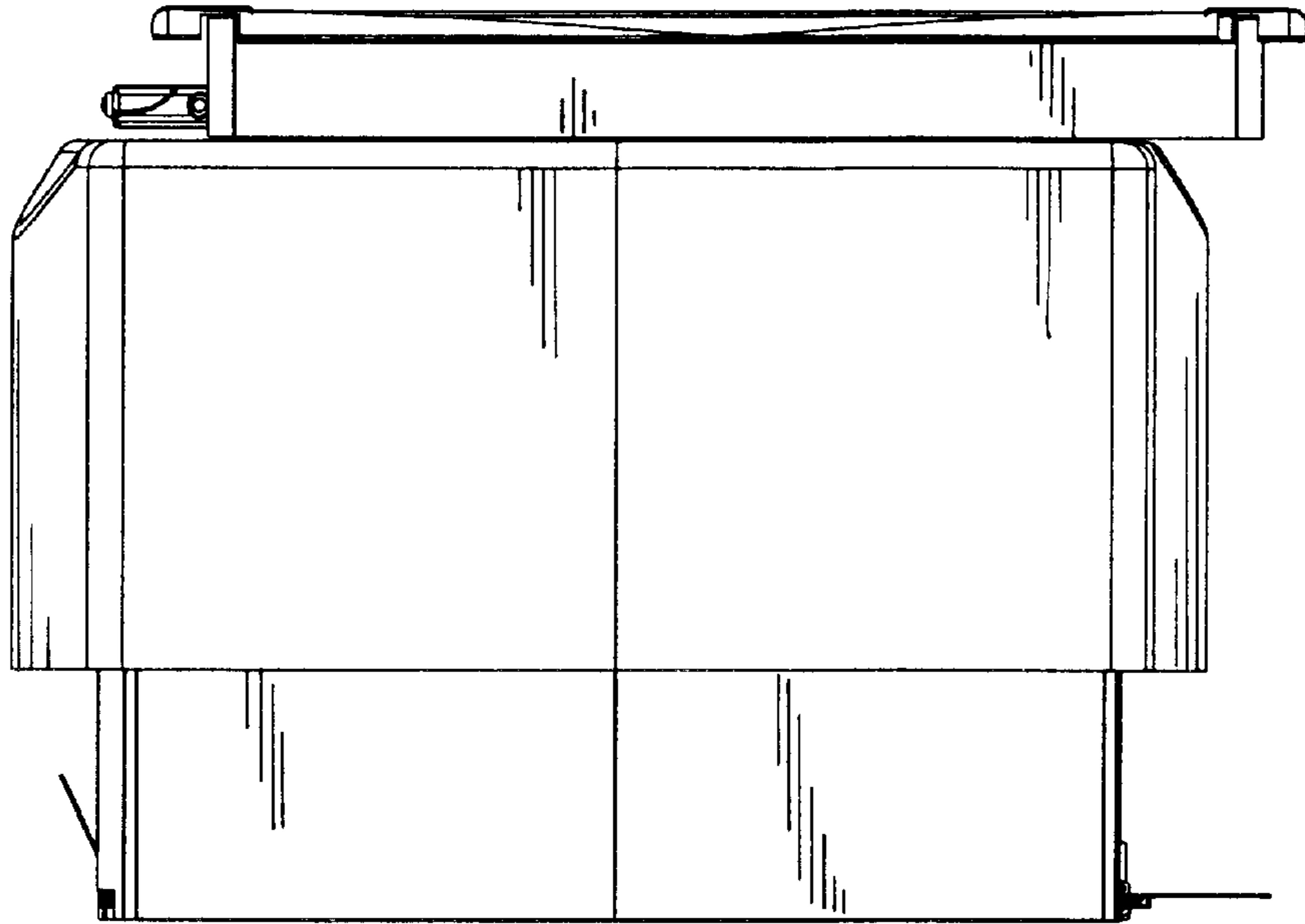


FIG. 7

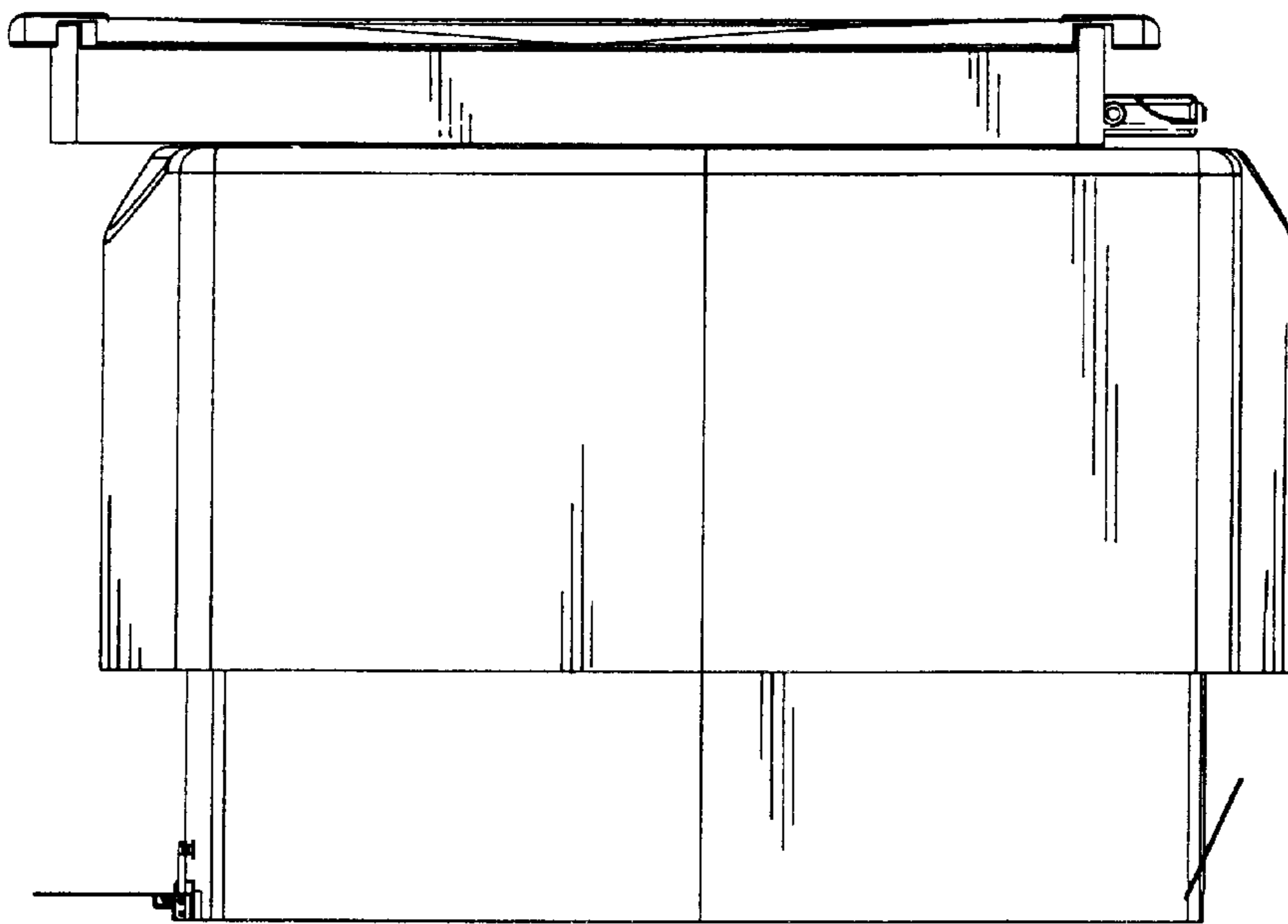


FIG. 8