



US00D441866S

(12) **United States Design Patent**  
**Marchesi**

(10) **Patent No.:** **US D441,866 S**

(45) **Date of Patent:** **\*\* May 8, 2001**

(54) **LIGHT IRRADIATION UNIT FOR THE HUMAN BODY**

4,969,177	*	11/1990	Otsuki et al.	378/206
5,515,410	*	5/1996	Seher et al.	378/34
5,577,094	*	11/1996	Fudamoto	378/197
5,755,752	*	5/1998	Segal	607/89

(76) **Inventor:** **Fabio Paolo Marchesi**, Via Tadino, 13, 20124 Milan (IT)

(\*\*) **Term:** **14 Years**

(21) **Appl. No.:** **29/111,673**

(22) **Filed:** **Oct. 1, 1999**

(30) **Foreign Application Priority Data**

Apr. 2, 1999 (IT) ..... MI9900172

(51) **LOC (7) Cl.** ..... **24-01**

(52) **U.S. Cl.** ..... **D24/159**

(58) **Field of Search** ..... D24/158, 159, D24/210; 378/206, 204, 205, 195, 196, 197, 88, 89, 90, 91, 93, 94, 95, 100

(56) **References Cited**

**U.S. PATENT DOCUMENTS**

3,648,706 \* 3/1972 Holzer ..... 607/90

\* cited by examiner

*Primary Examiner*—Stella Reid

(74) *Attorney, Agent, or Firm*—Shlesinger, Fitzsimmons & Shlesinger

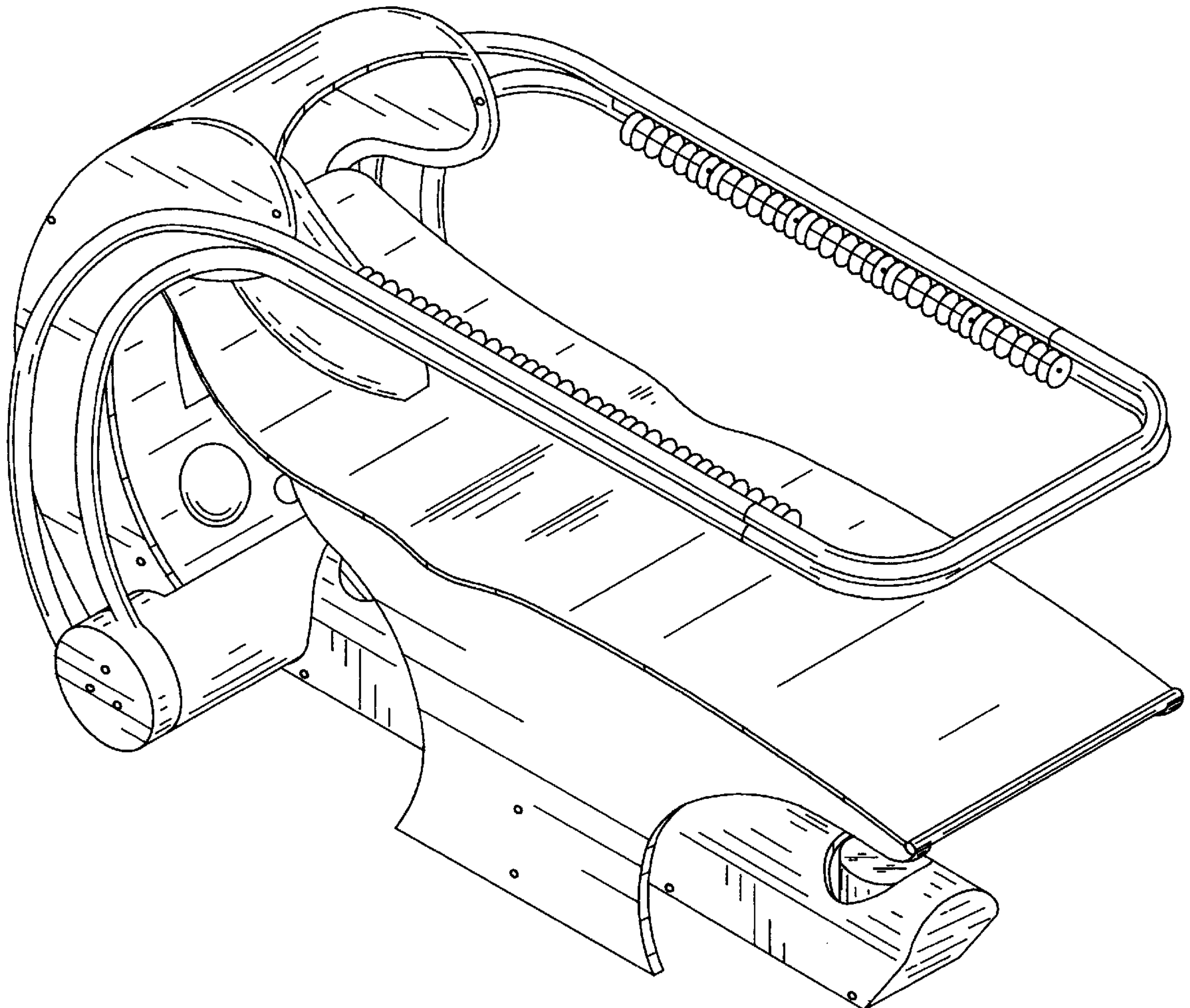
(57) **CLAIM**

The ornamental design for a light irradiation unit for the human body, as shown.

**DESCRIPTION**

FIG. 1 is a side elevational view of a light irradiation unit for the human body, showing my new design; FIG. 2 is a rear elevational view of the unit; FIG. 3 is a top plan view of the unit; FIG. 4 is a bottom plan view of the unit; FIG. 5 is a front elevational view of the unit; and, FIG. 6 is a perspective view of the unit.

**1 Claim, 6 Drawing Sheets**



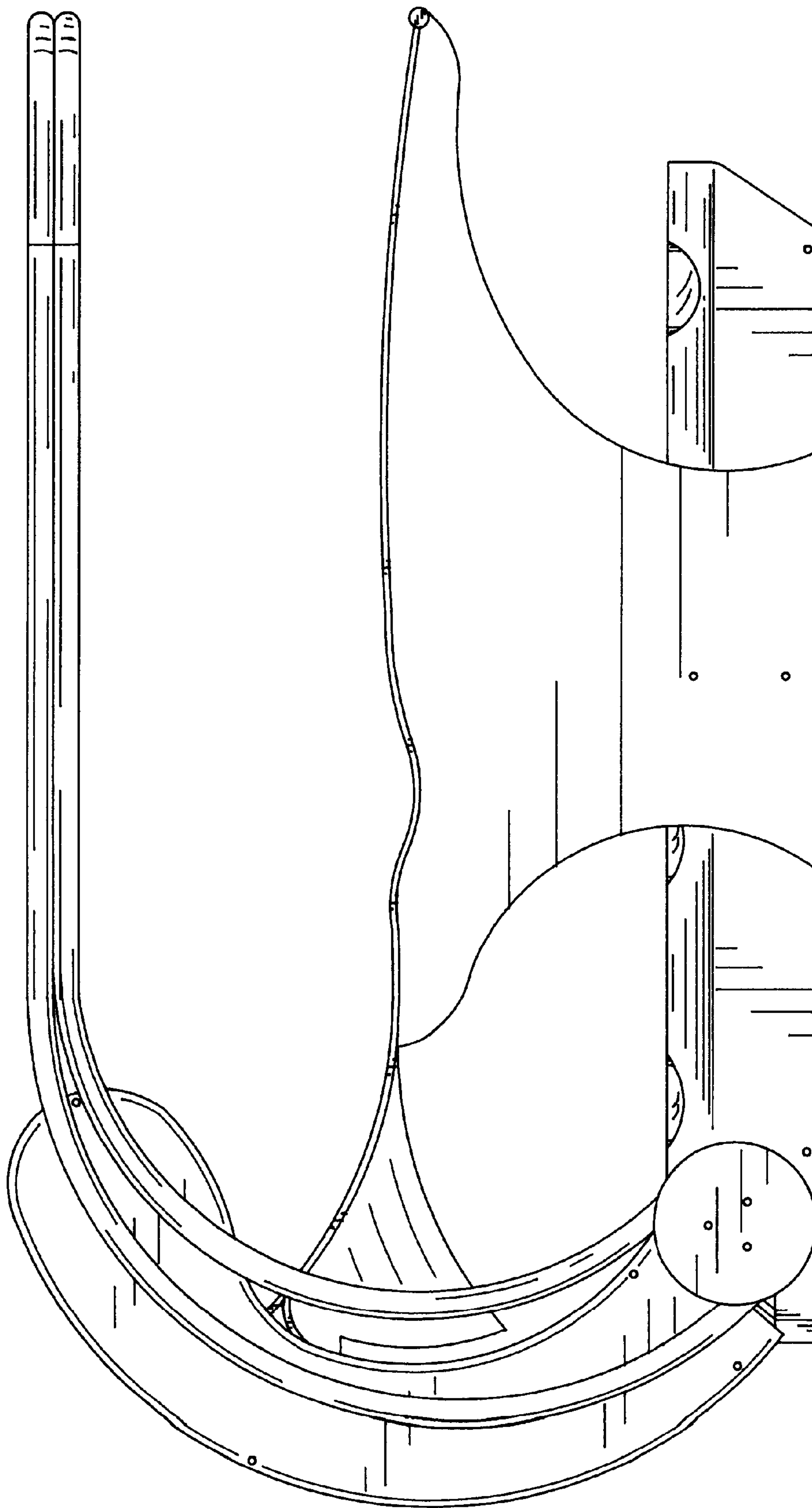


FIG. 1

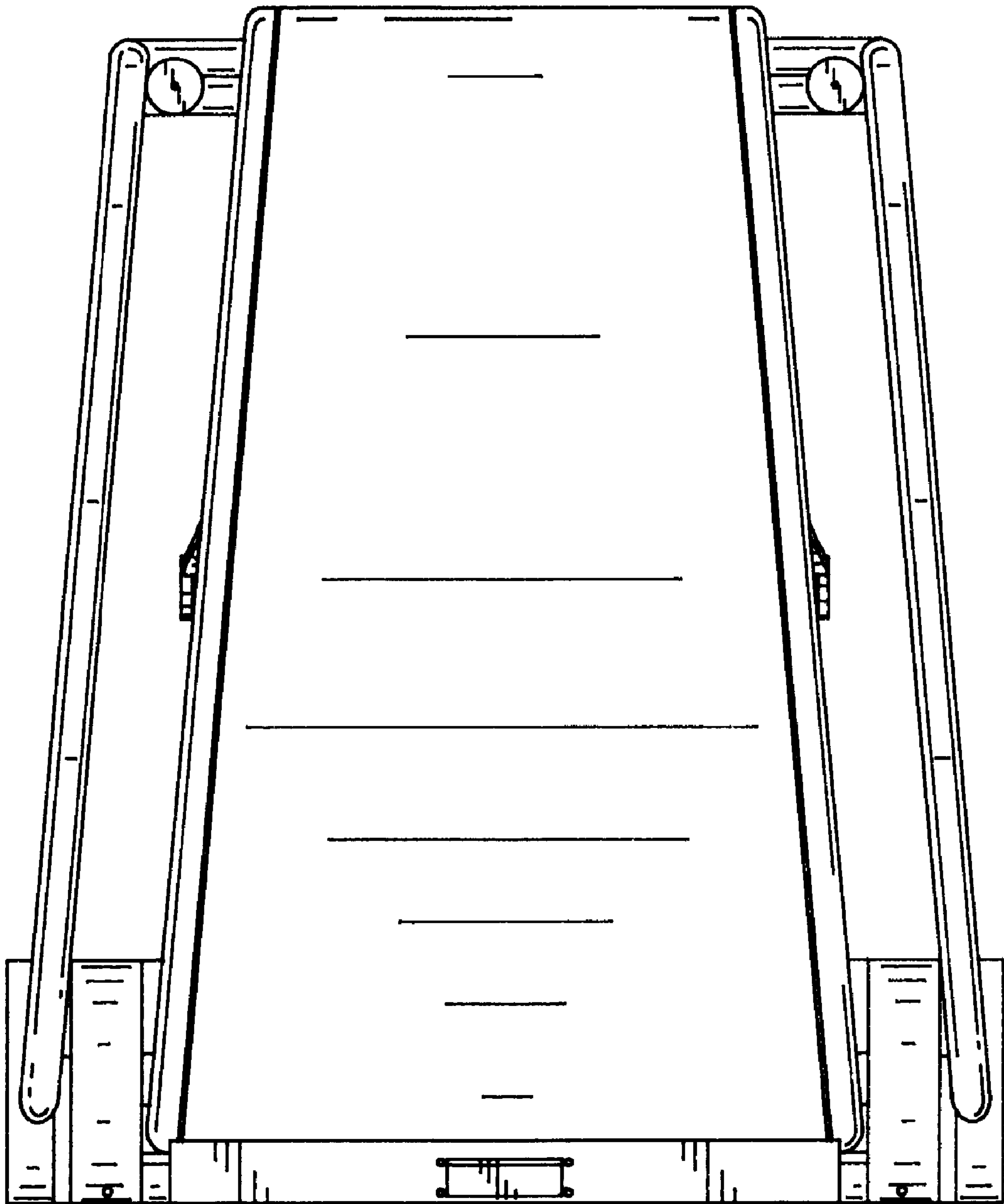


FIG. 2

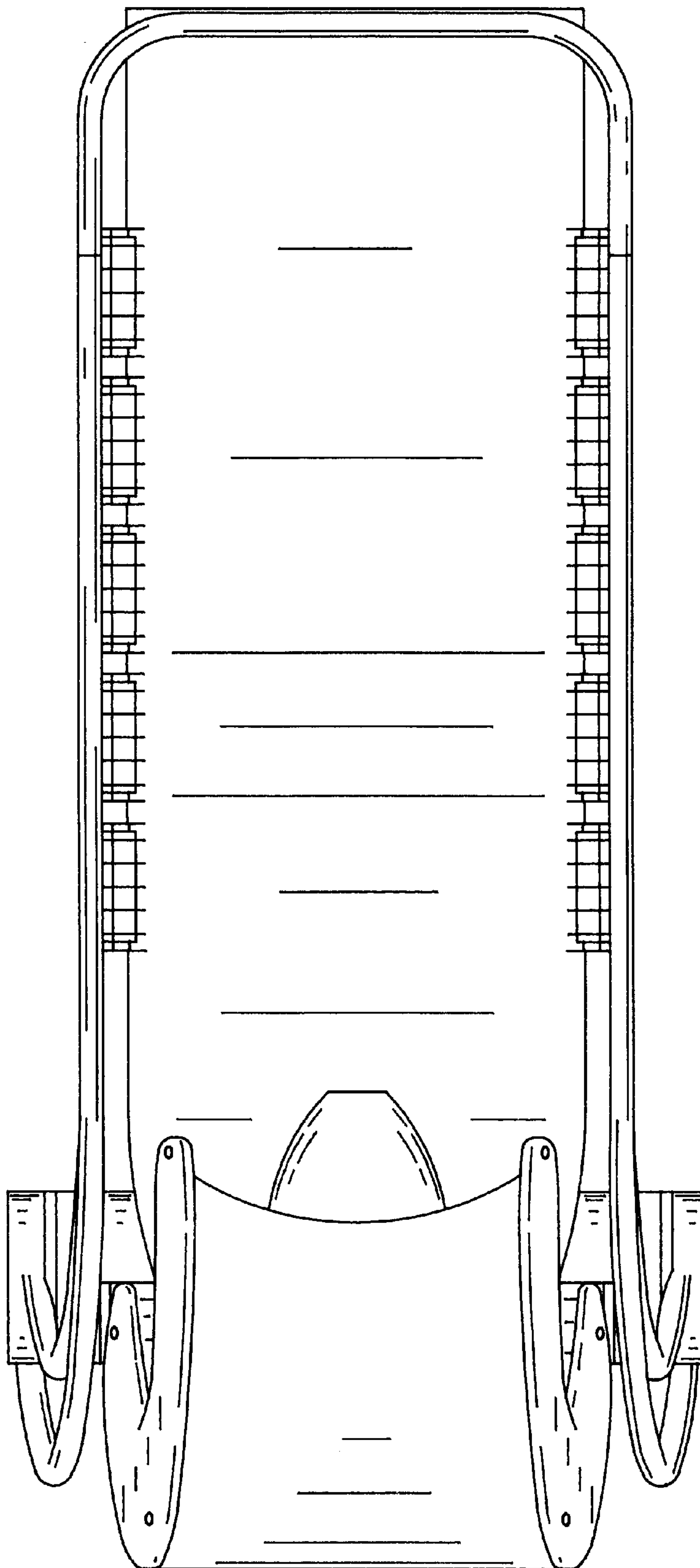


FIG. 3

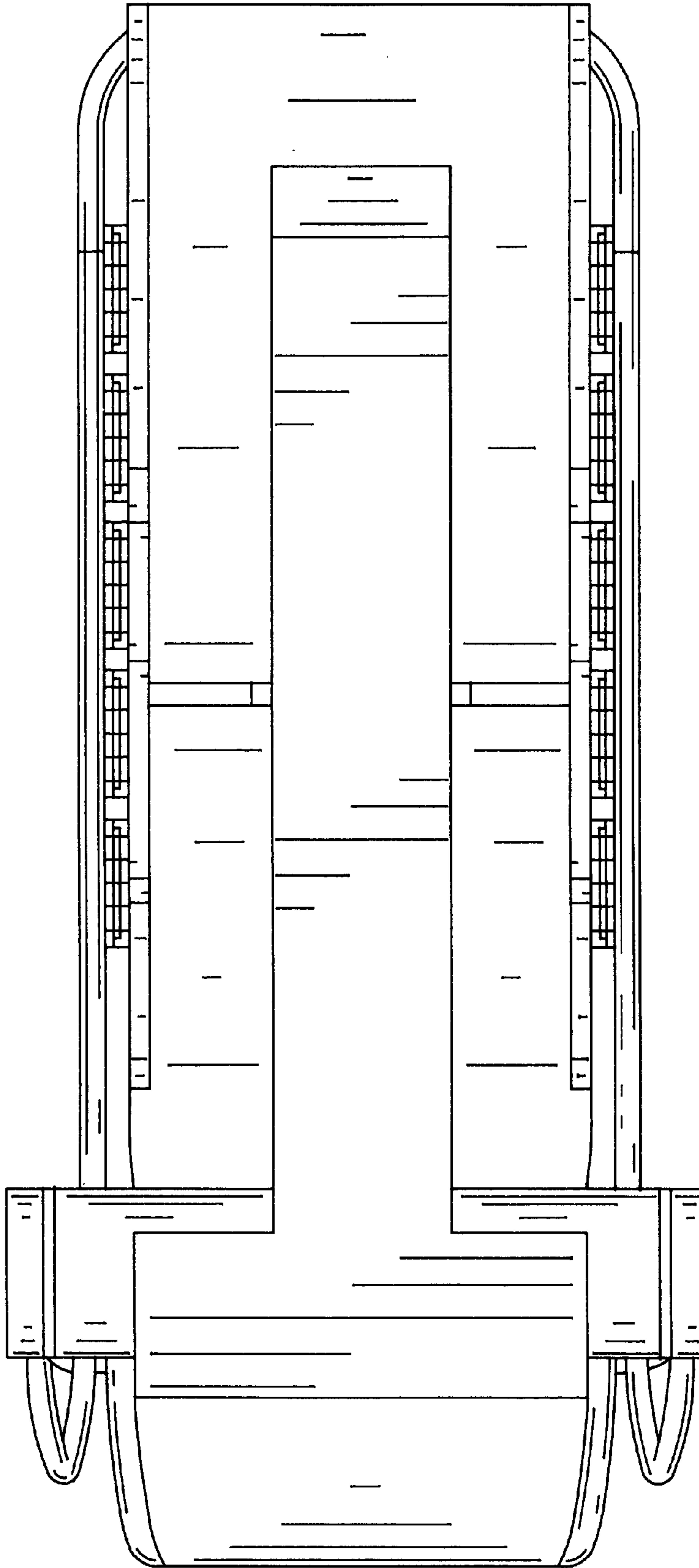


FIG. 4



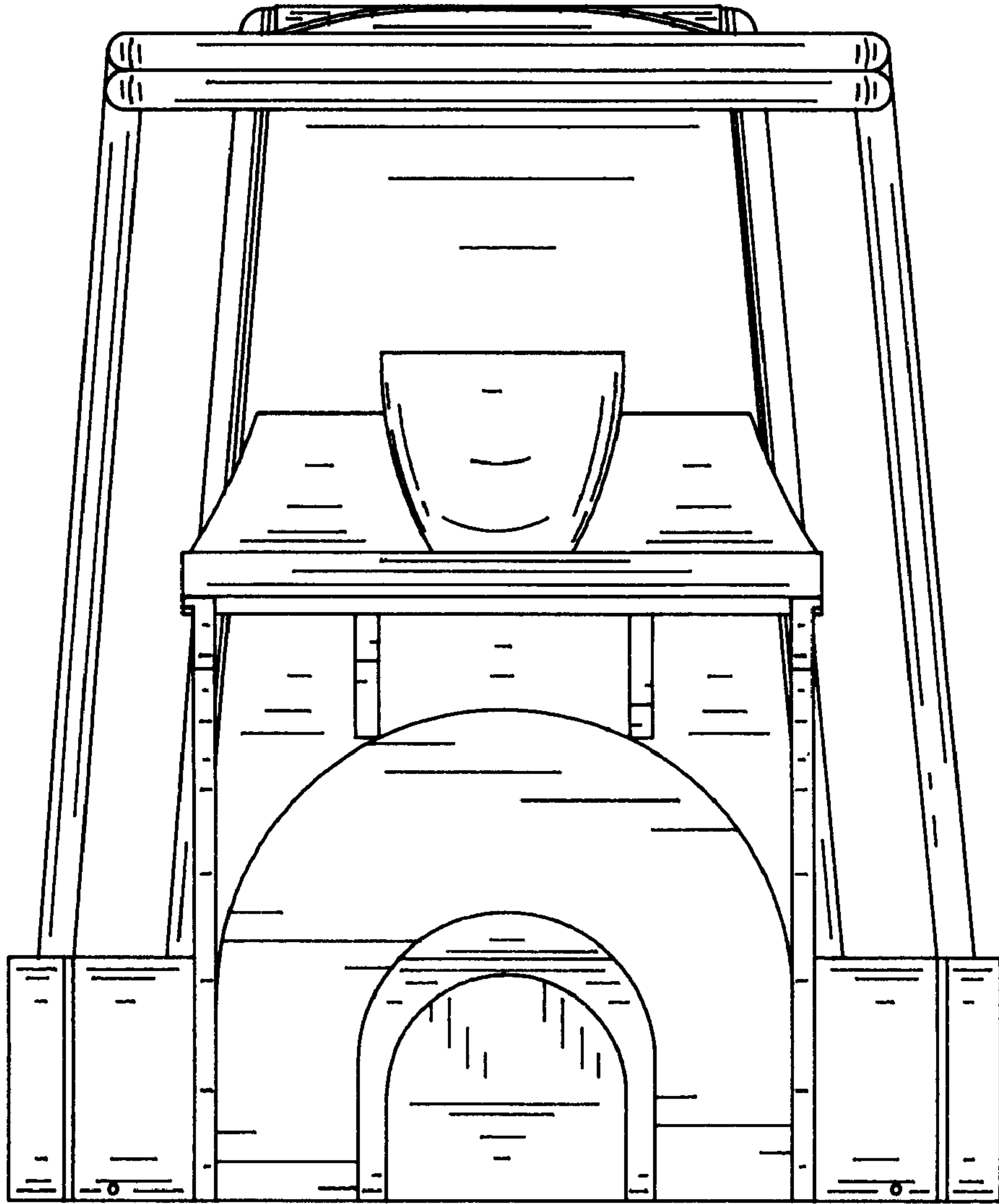


FIG. 5

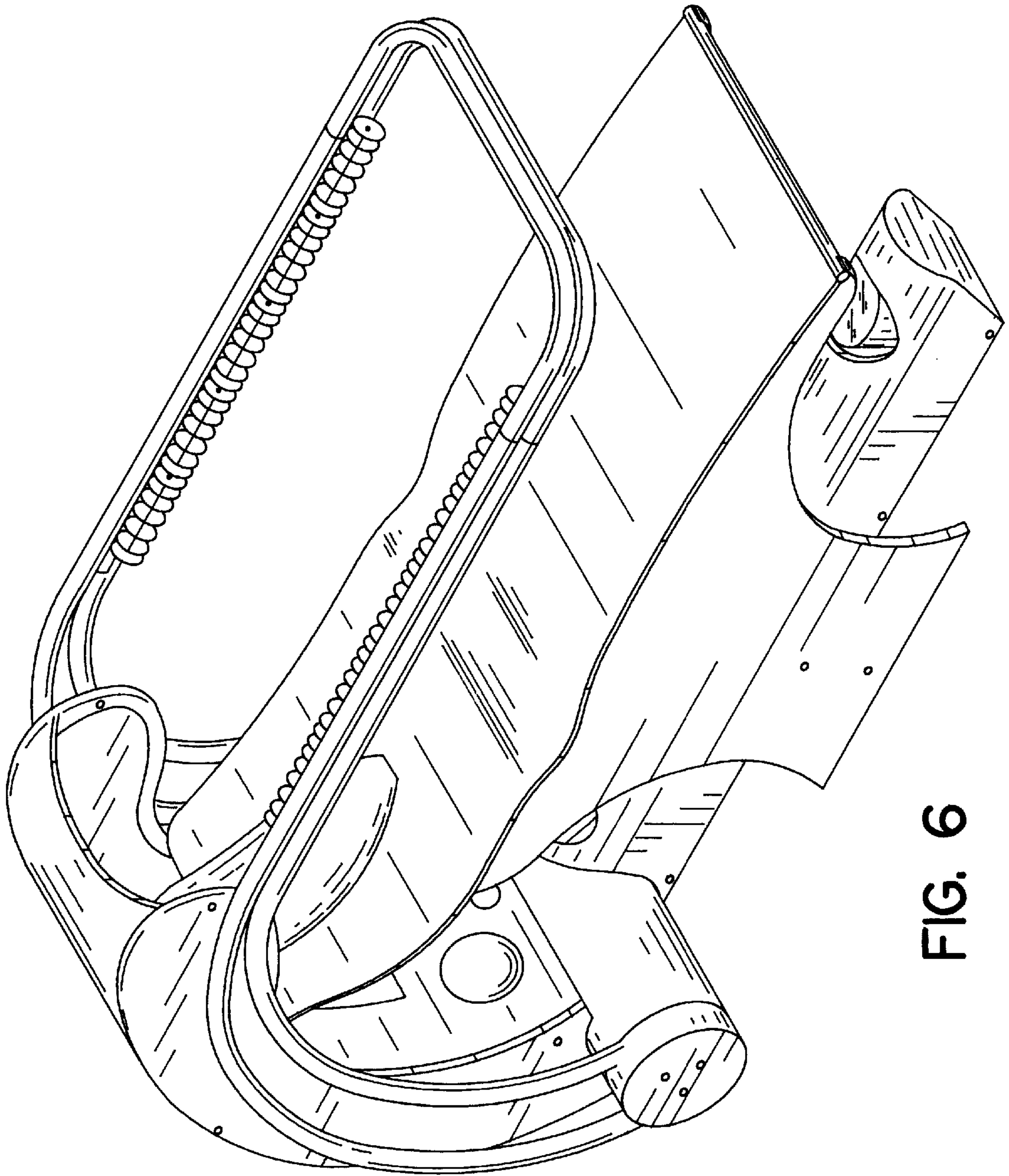


FIG. 6