



US00D441861S

(12) **United States Design Patent**  
**Hafliger**

(10) **Patent No.:** **US D441,861 S**

(45) **Date of Patent:** **\*\* May 8, 2001**

(54) **PLAQUE REMOVER**

(75) Inventor: **Peter Hafliger**, Triengen (CH)

(73) Assignee: **Trisa Holding AG**, Triengen (CH)

(\*\*) Term: **14 Years**

(21) Appl. No.: **29/095,527**

(22) Filed: **Oct. 26, 1998**

(30) **Foreign Application Priority Data**

Apr. 28, 1998 (XH) ..... DM/045 034

(51) **LOC (7) Cl.** ..... **24-02**

(52) **U.S. Cl.** ..... **D24/111**

(58) **Field of Search** ..... D24/111, 152,  
D24/176; 433/80, 85, 81, 88, 82, 84; 601/162,  
161, 160, 163, 164, 165

(56) **References Cited**

**U.S. PATENT DOCUMENTS**

- D. 266,117 \* 9/1982 Oberheim ..... D4/101
- D. 373,631 \* 9/1996 Maeda et al. .... D24/111
- D. 403,511 \* 1/1999 Serbinski ..... D4/108
- D. 417,082 \* 11/1999 Classen et al. .... D4/108

- 4,644,937 \* 2/1987 Hommann ..... 601/162
- 4,862,876 \* 9/1989 Lih-Sheng ..... 601/162
- 5,928,505 \* 7/1999 Inakagata et al. .... 210/91

\* cited by examiner

*Primary Examiner*—Ian Simmons

(74) *Attorney, Agent, or Firm*—Oblon, Spivak, McClelland, Maier & Neustadt, P.C.

(57) **CLAIM**

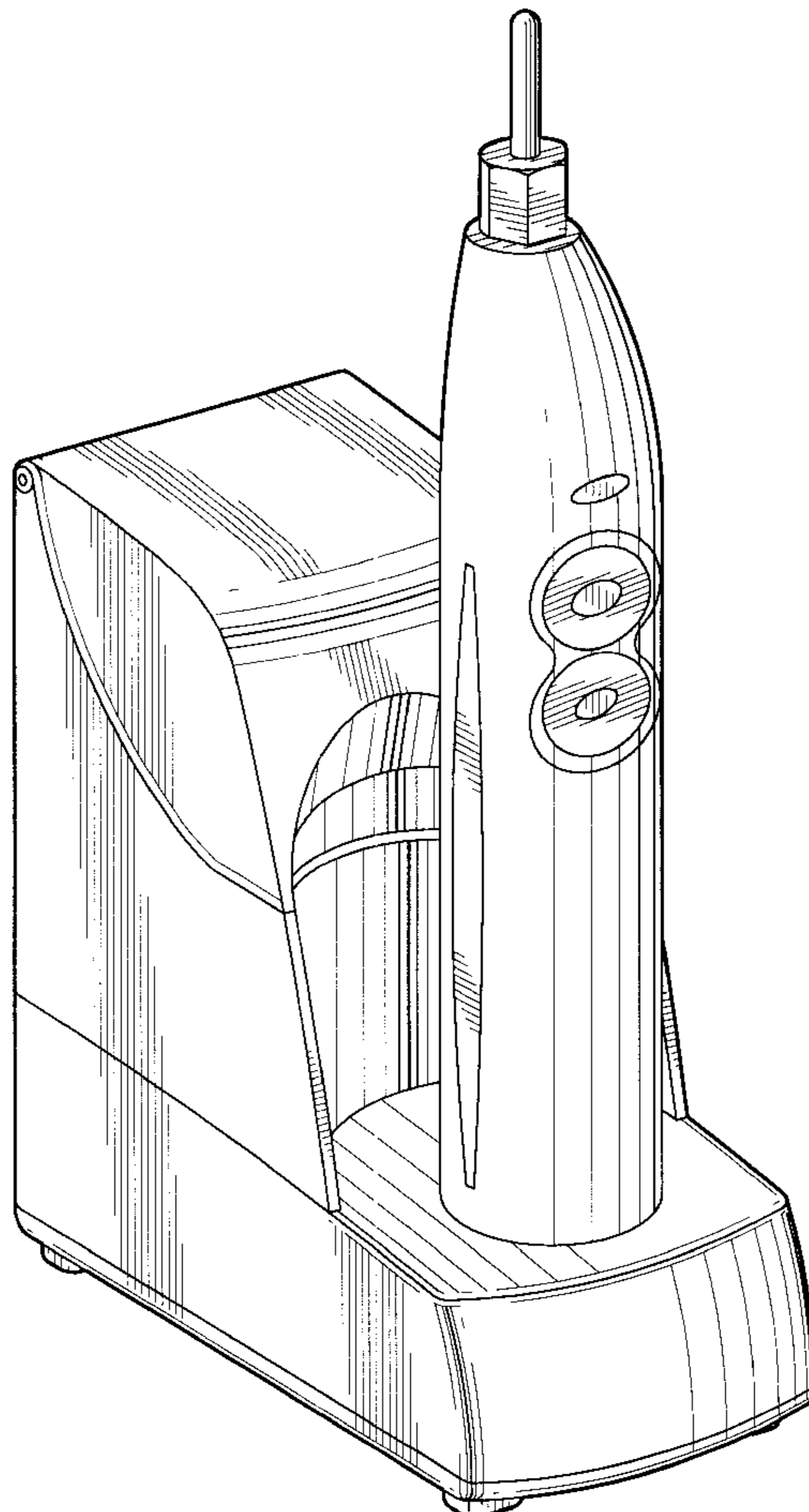
The ornamental design for plaque remover, as shown and described.

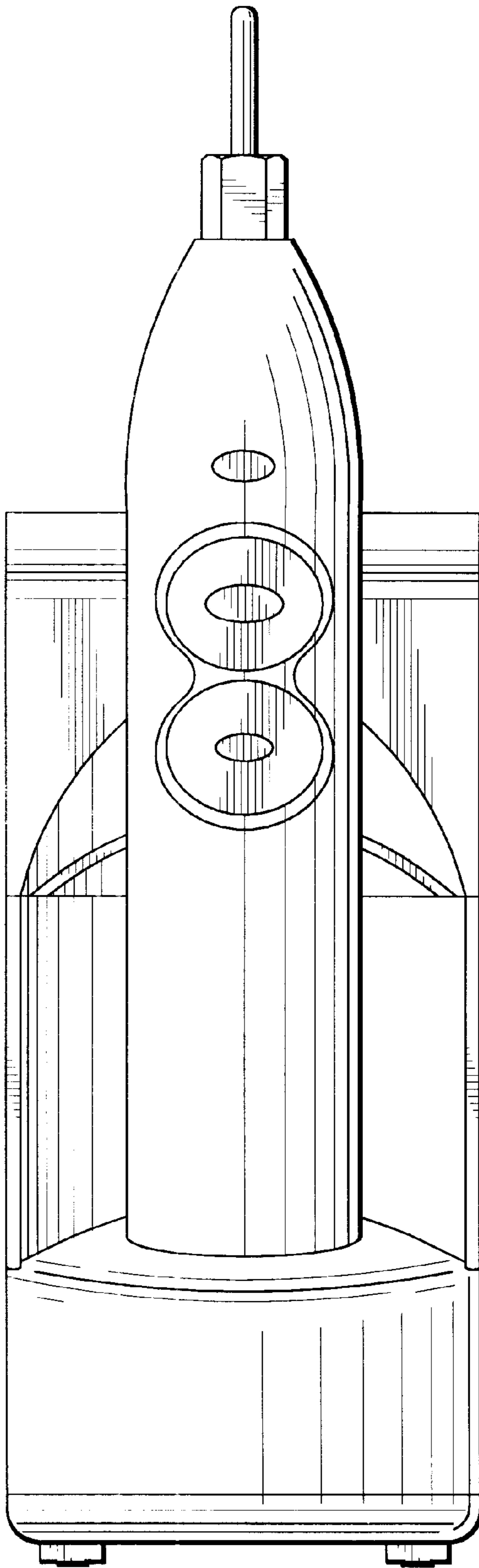
**DESCRIPTION**

FIG. 1 is a front elevational view of plaque remover embodying my new design;  
 FIG. 2 is a left side elevational view thereof, the right side elevational being a mirror image of the side shown;  
 FIG. 3 is a rear elevational view thereof;  
 FIG. 4 is a top plan view thereof; and,  
 FIG. 5 is a perspective view thereof.

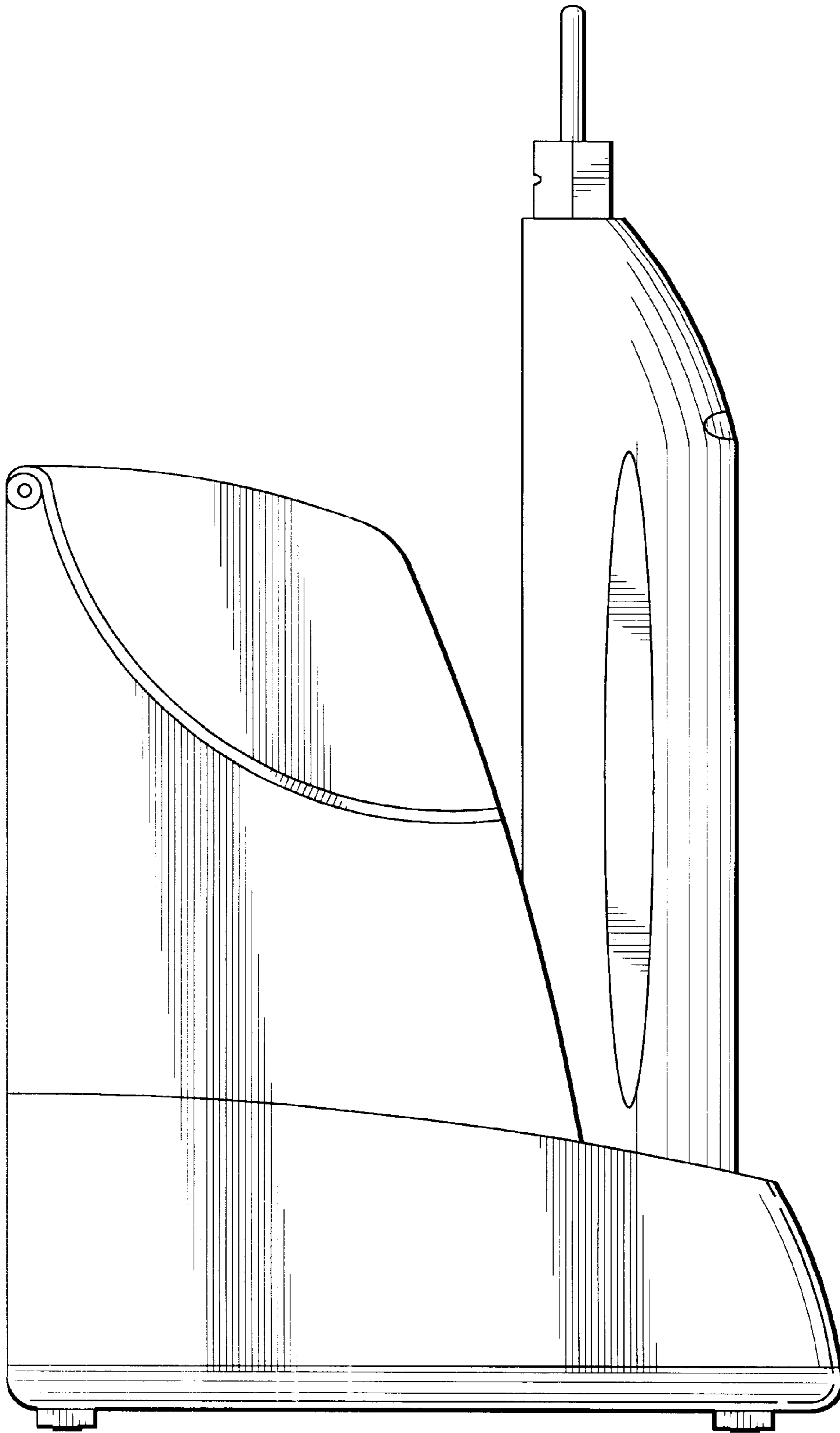
The surfaces or portions of the article not shown in the drawings or described in the specification form no part of the claimed design.

**1 Claim, 5 Drawing Sheets**

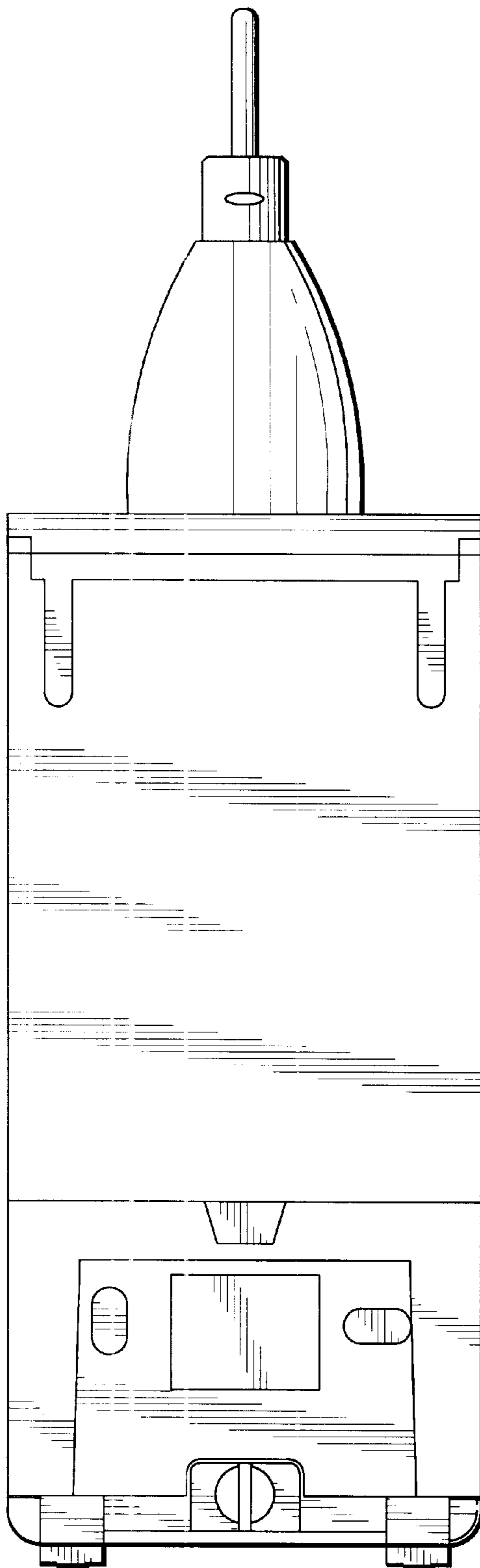




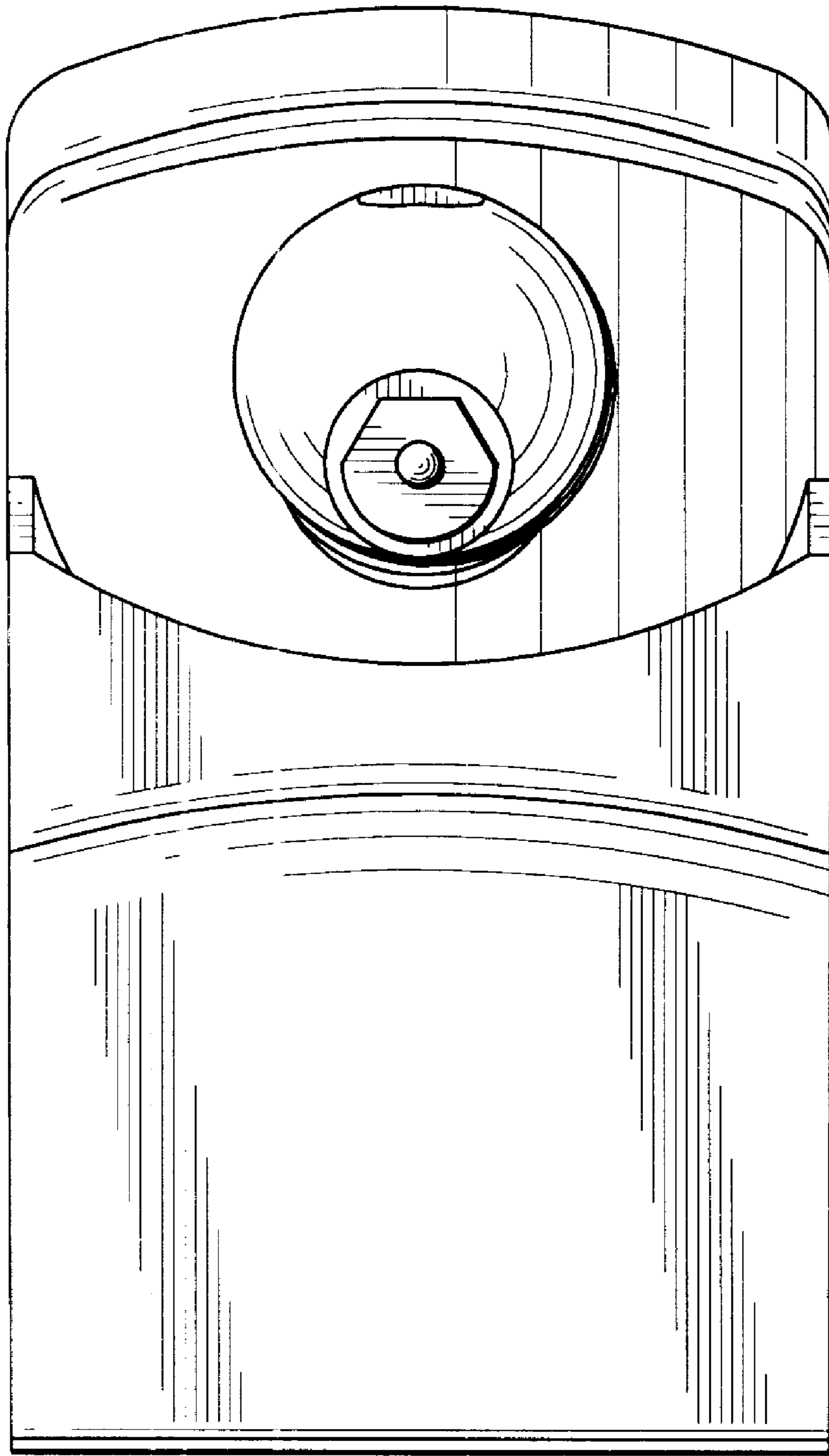
*FIG. 1*



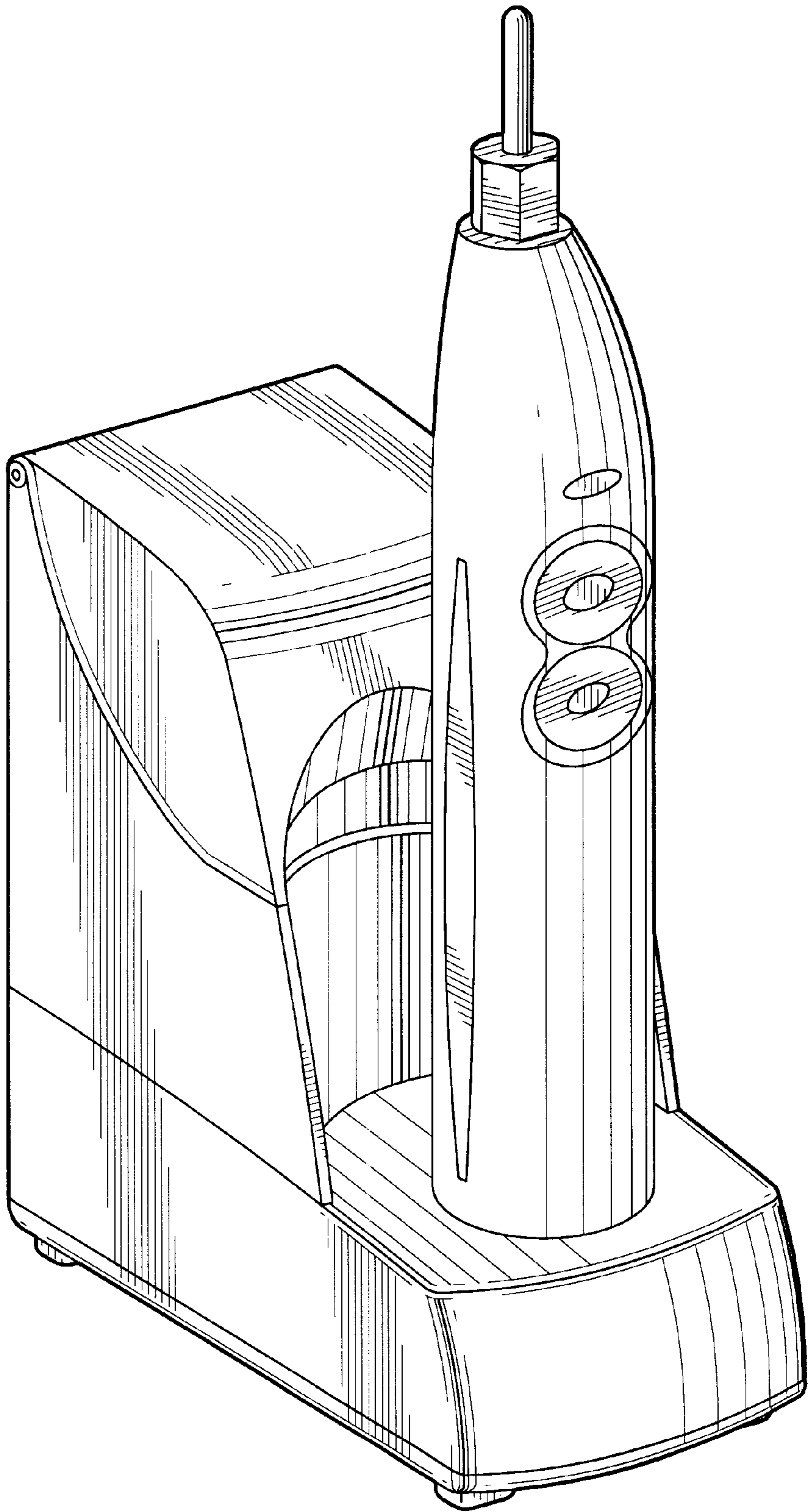
*FIG. 2*



*FIG. 3*



*FIG. 4*



*FIG. 5*