



US00D441860S

(12) **United States Design Patent** (10) **Patent No.:** **US D441,860 S**
Kopacko et al. (45) **Date of Patent:** **** May 8, 2001**

(54) **FOREHEAD PAD FOR A NASAL MASK**
 (75) Inventors: **Ralph E. Kopacko**, Irwin; **Zachary D. Paul**; **Joseph M. Miceli, Jr.**, both of Pittsburgh, all of PA (US)

Sales Brochure—"Small Child Reusable Nasal Mask", Respironics, Inc. 1994.

Sales Brochure—"Monarch Ultra Mini Mask", Respironics, Inc. 1998.

(73) Assignee: **Respironics, Inc.**, Pittsburgh, PA (US)

Sales Brochure—"The Softest, Silkiest CPAP Mask Available", Respironics, Inc. 1998.

(**) Term: **14 Years**

* cited by examiner

(21) Appl. No.: **29/109,077**

(22) Filed: **Aug. 10, 1999**

Primary Examiner—Ian Simmons

(74) *Attorney, Agent, or Firm*—Reed Smith LLP

(51) **LOC (7) Cl.** **29-02**

(52) **U.S. Cl.** **D24/110.1; D6/601**

(58) **Field of Search** D24/110.1, 110.4, D24/110.5, 164; 128/206.24, 206.25, 205.25, 207.18, 204.18; D6/601; 5/630, 636, 652; 129/207.11, 207.13, 207.17

(57) **CLAIM**

The ornamental design for a forehead pad for a nasal mask, as shown and described.

DESCRIPTION

(56) **References Cited**

U.S. PATENT DOCUMENTS

D. 47,140	*	3/1915	Newkirk	D6/601
D. 419,670	*	1/2000	Pollard	D24/110.4
4,731,891	*	3/1988	Scheurer et al.	5/636
4,876,755	*	10/1989	Parrish	D24/183
5,042,478	*	8/1991	Kopala et al.	128/207.18
5,542,128	*	8/1996	Lomas	128/207.11
5,687,715	*	11/1997	Landis et al.	128/207.18
6,112,746	*	9/2000	Kwok et al.	128/207.13
6,119,693	*	9/2000	Kwok et al.	128/207.11

OTHER PUBLICATIONS

Sales Brochure—"Comfort Flap Mask Accessory", Respironics, Inc. 1994.

Sales Brochure—"Spectrum Reusable Full Face Mask", Respironics, Inc. 1998.

FIG. 1 is a rear perspective view of a forehead pad for a nasal mask showing our new design, the broken line showing is for illustrative purposes only and forms no part of the claimed design;

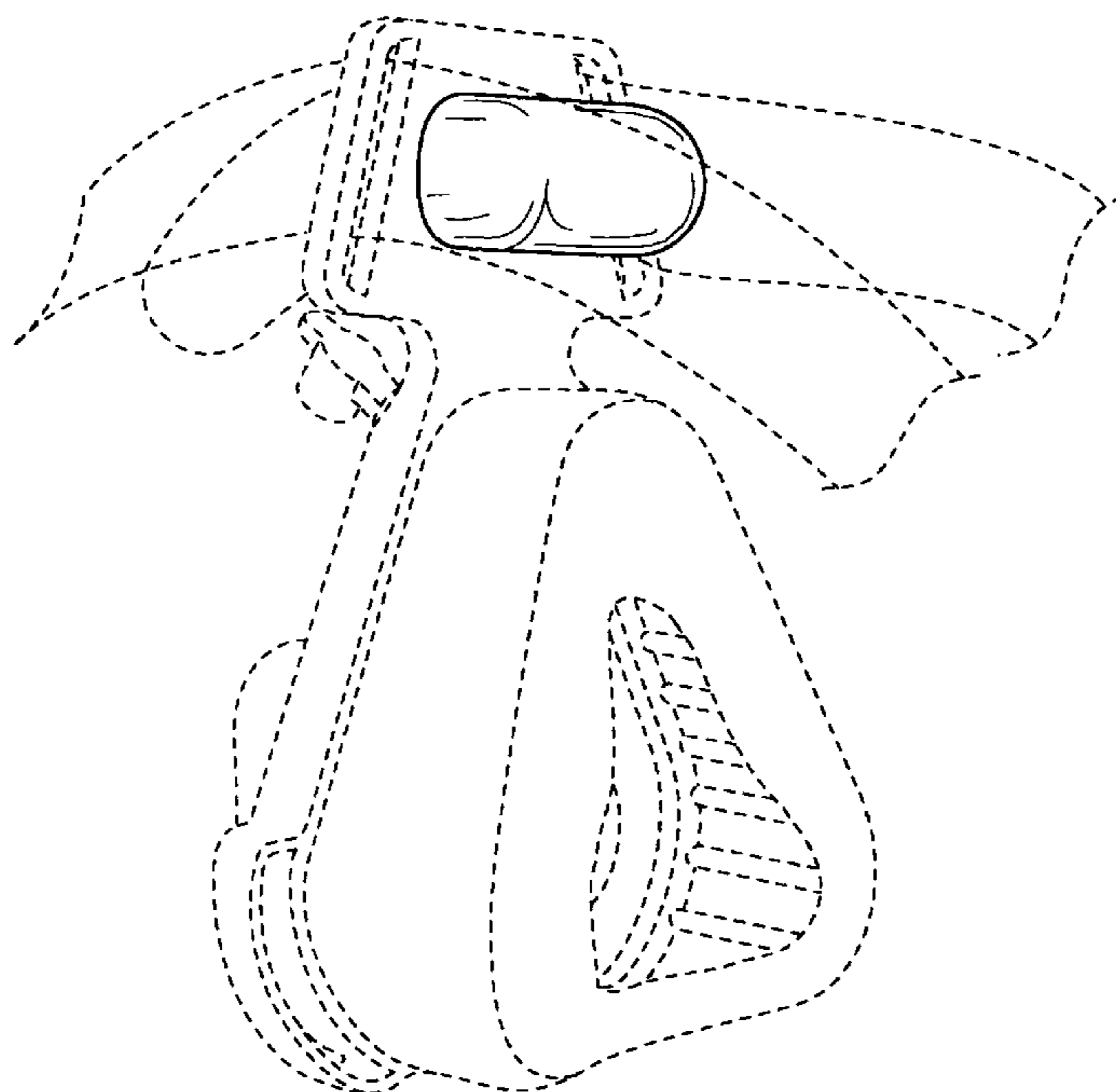
FIG. 2 is a front perspective view thereof;

FIG. 3 is a side elevational view thereof, the opposite side elevational view being a mirror image thereto;

FIG. 4 is a front view thereof; and,

FIG. 5 is a top plan view thereof, the bottom plan view being a mirror image thereto.

1 Claim, 5 Drawing Sheets



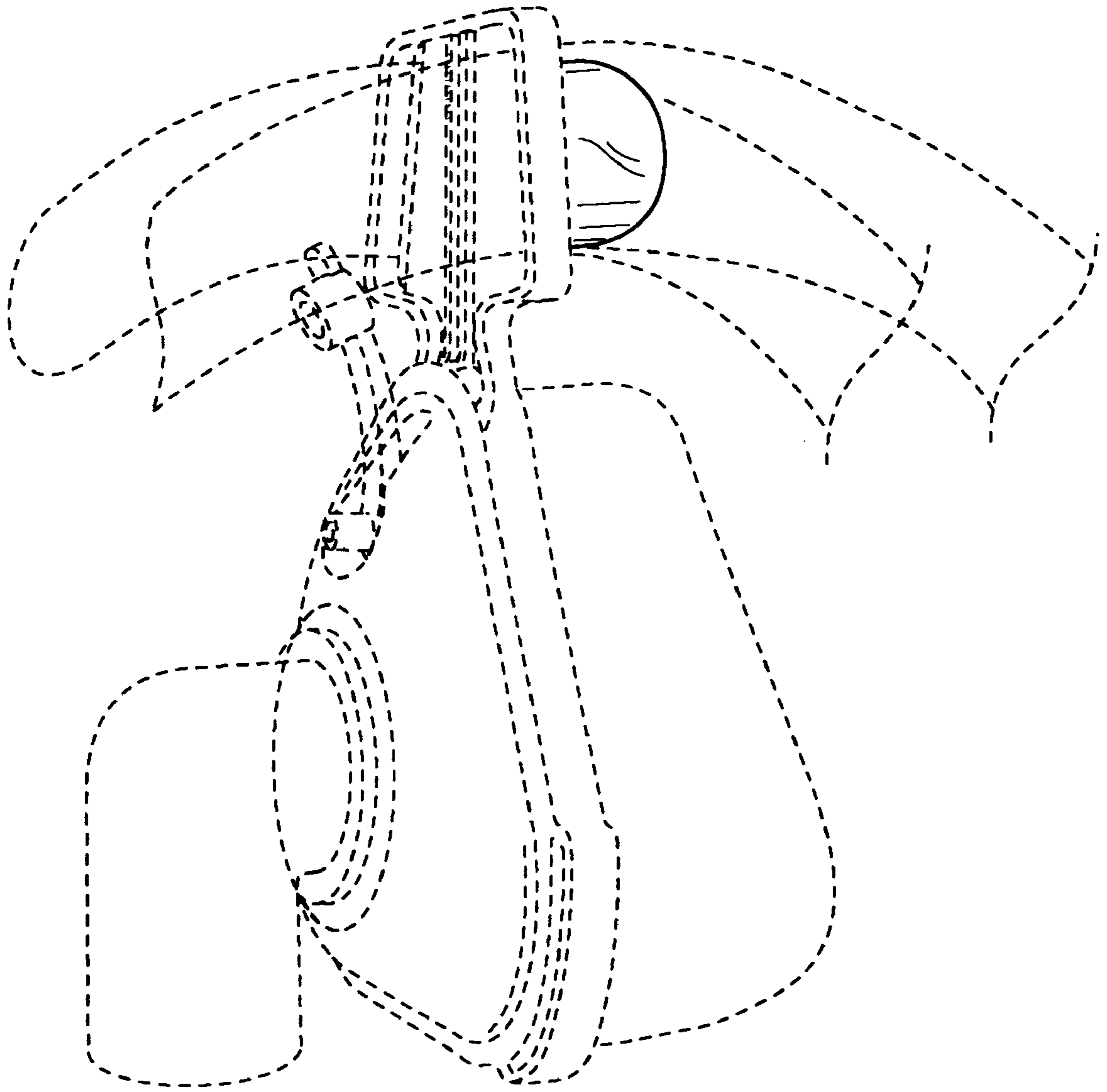


FIG. 1

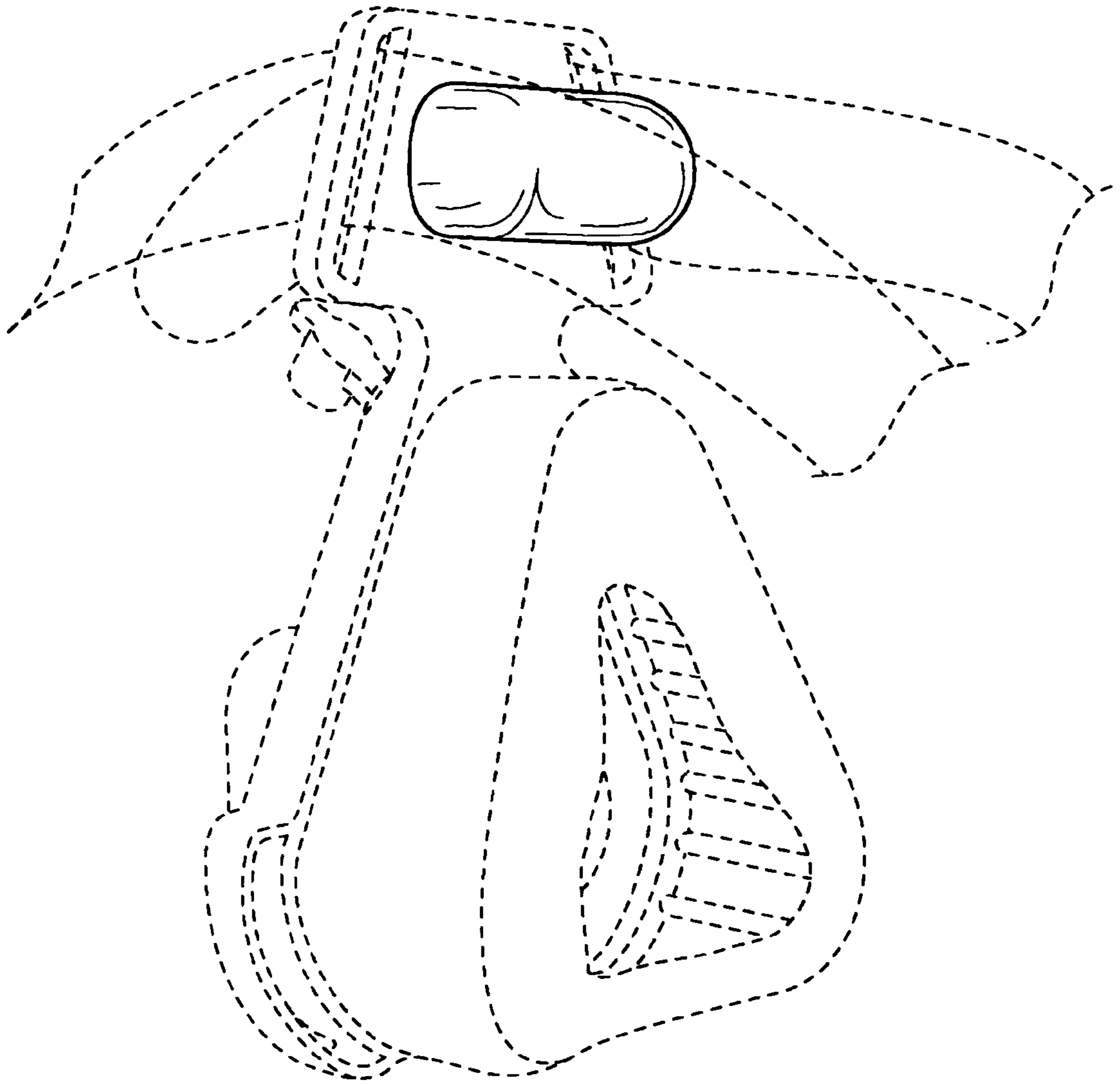


FIG. 2

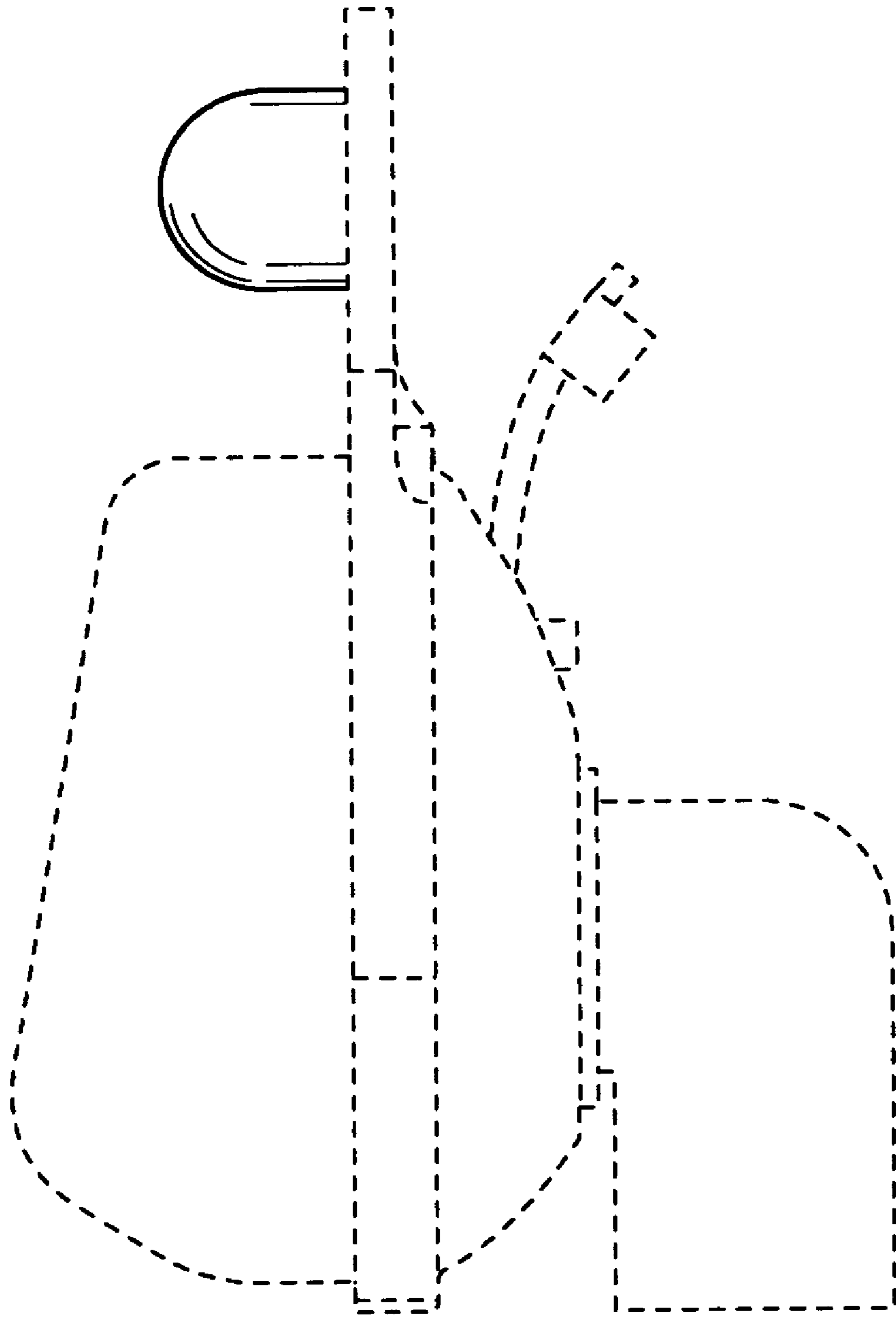


FIG. 3

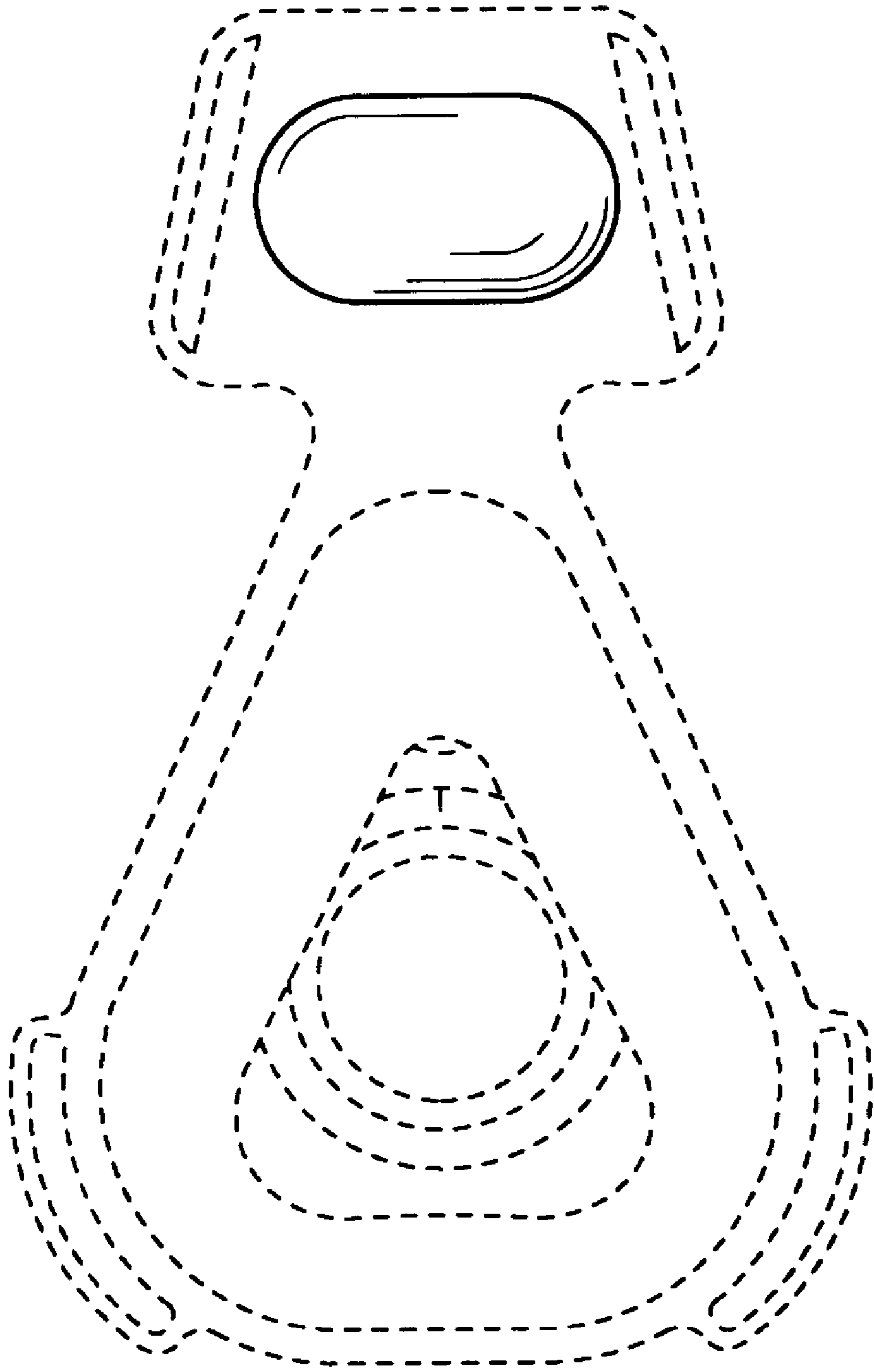


FIG. 4

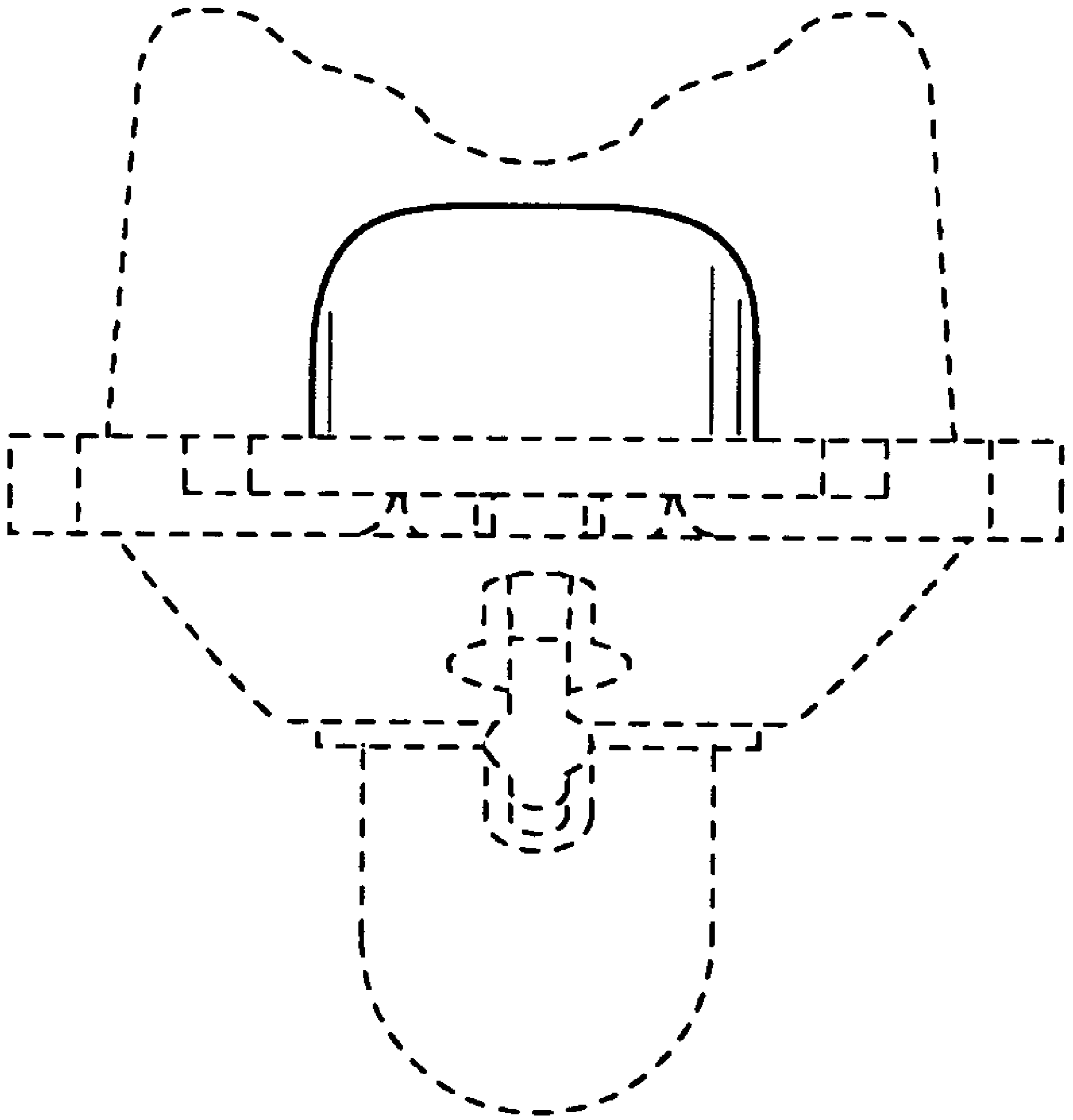


FIG. 5