



US00D441859S

(12) **United States Design Patent**
Pera

(10) **Patent No.:** **US D441,859 S**

(45) **Date of Patent:** **** May 8, 2001**

(54) **DISPOSABLE DRY-POWDER INHALER**

D. 381,416 * 7/1997 Hansson et al. D24/110
5,239,993 * 8/1993 Evans 128/203.15

(75) Inventor: **Ivo Pera**, Hollywood, FL (US)

* cited by examiner

(73) Assignee: **Istituto Biochimico Pavese Pharma S.P.A.**, Pavia (IT)

Primary Examiner—Ian Simmons
(74) *Attorney, Agent, or Firm*—Ladas and Parry

(**) Term: **14 Years**

(57) **CLAIM**

(21) Appl. No.: **29/111,569**

I claim the ornamental design for disposable dry-powder inhaler, as shown and described.

(22) Filed: **Sep. 30, 1999**

(30) **Foreign Application Priority Data**

DESCRIPTION

Apr. 6, 1999 (XH) DM/047430

FIG. 1 is a top, left-side and front perspective view of a disposable dry-powder inhaler showing my new design; FIG. 2 is a top, right-side and front perspective view thereof; FIG. 3 is a front elevational view thereof; and, FIG. 4 is a rear elevational view thereof.

(51) **LOC (7) Cl.** **29-02**

(52) **U.S. Cl.** **D24/110**

(58) **Field of Search** D24/110; 128/200.14, 128/203.75, 203.23, 203.12, 205.13, 200.21

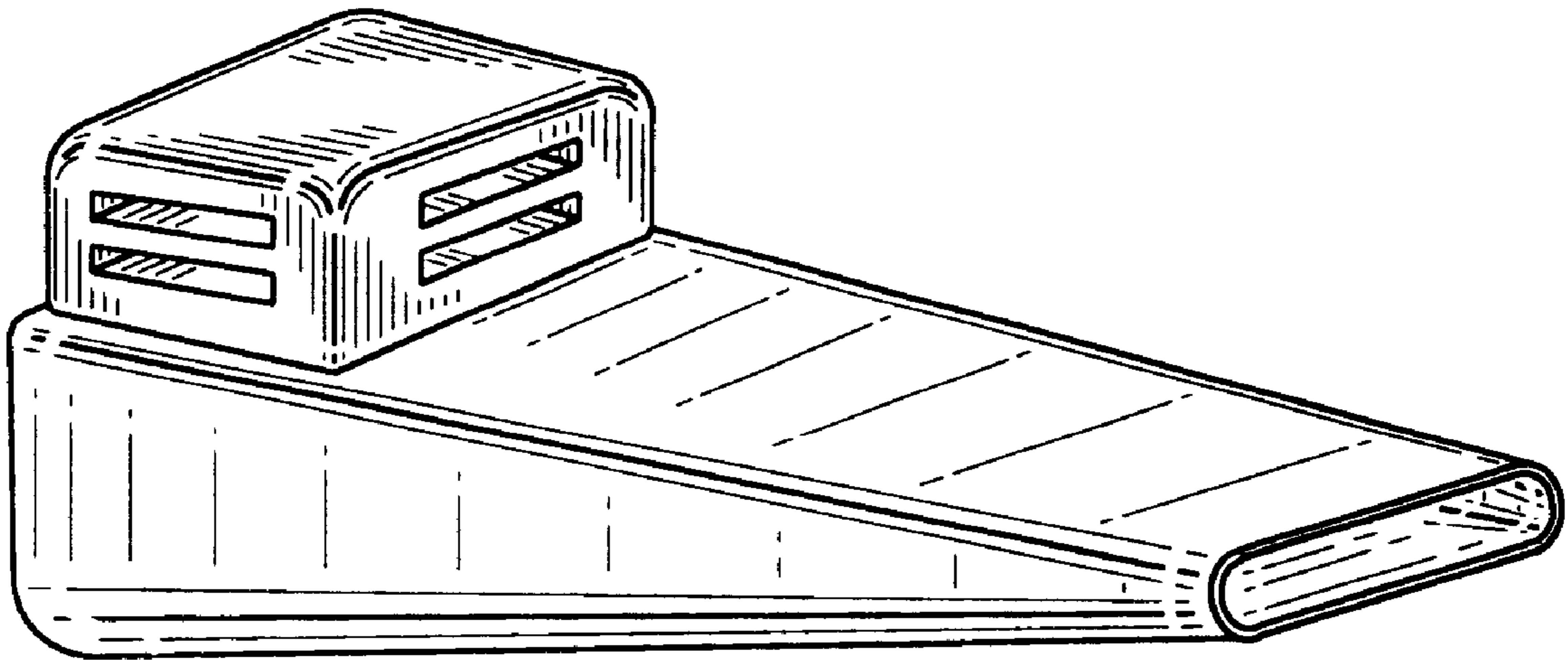
The surface or portion of the article not shown in the drawing or described in the specification forms no part of the claimed design.

(56) **References Cited**

U.S. PATENT DOCUMENTS

D. 358,880 * 5/1995 Mulhauser et al. D24/110

1 Claim, 2 Drawing Sheets



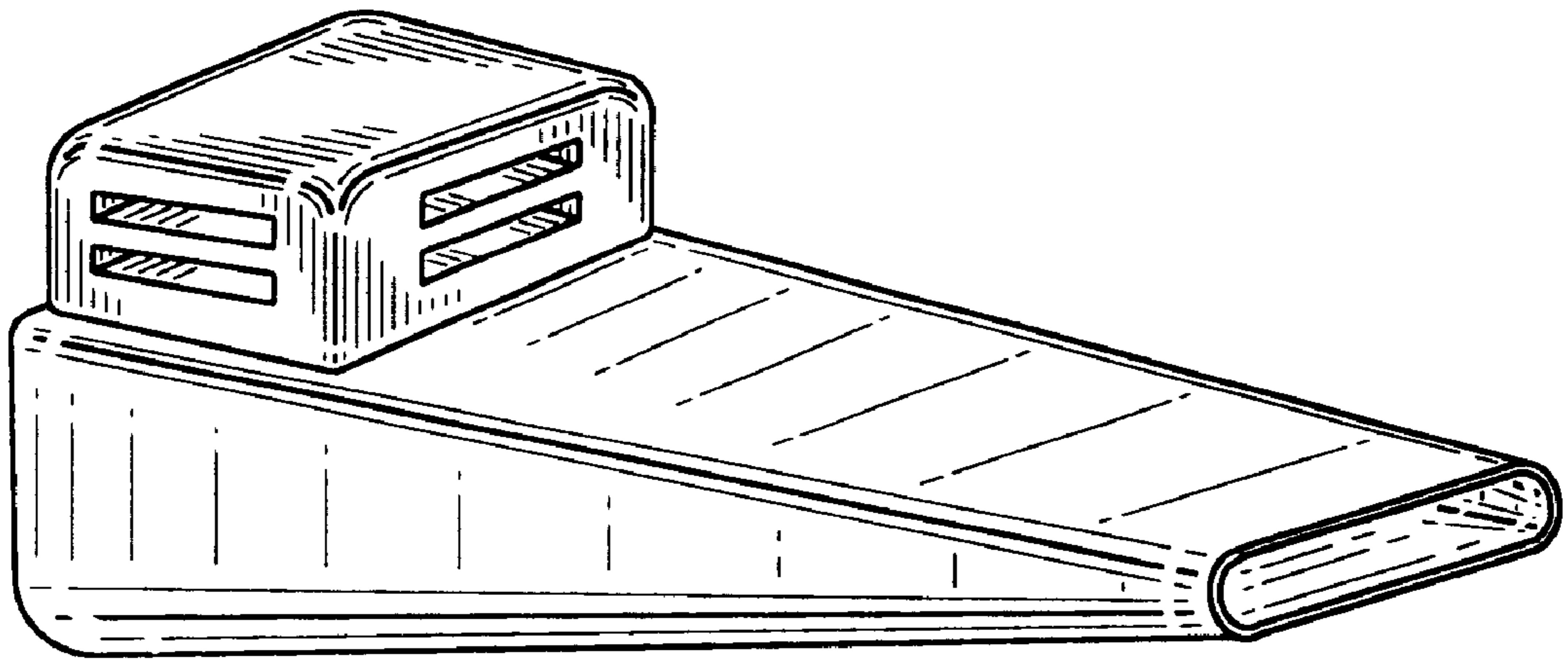


FIG. 1

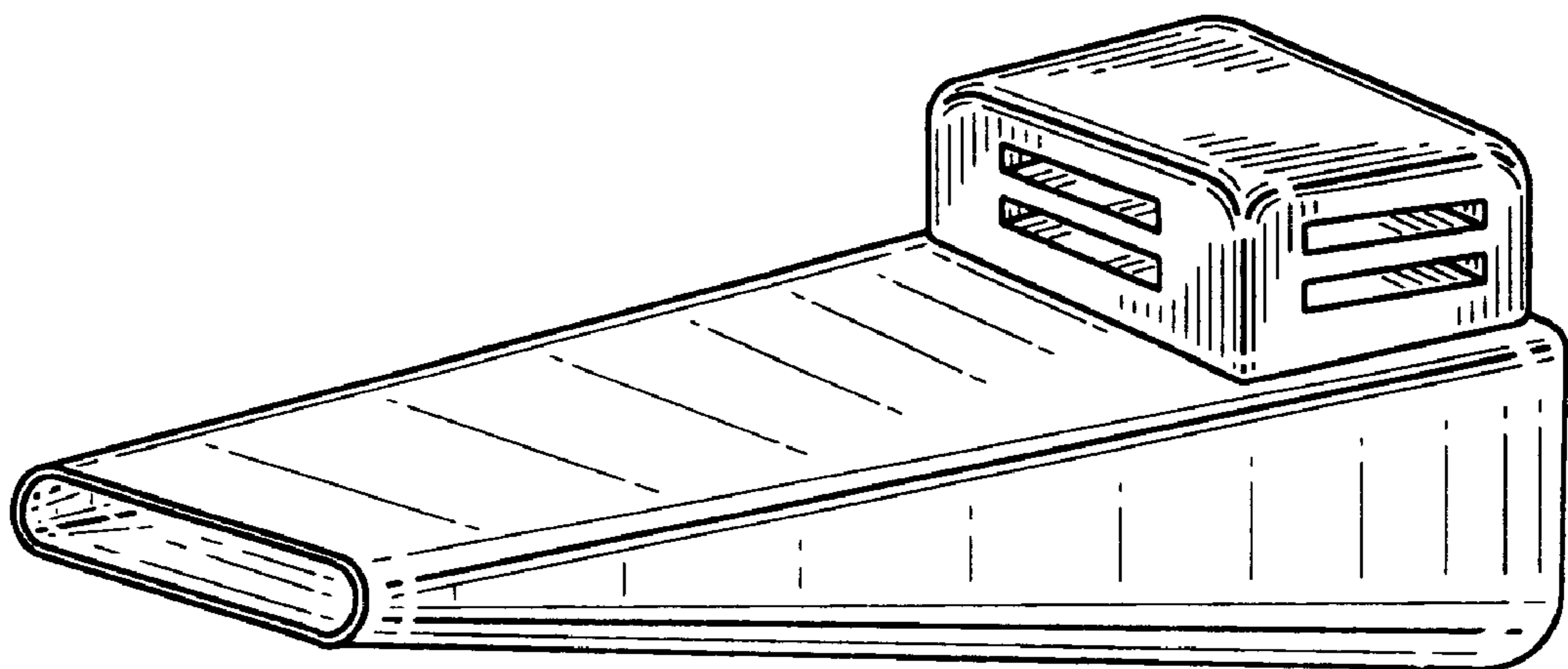


FIG. 2

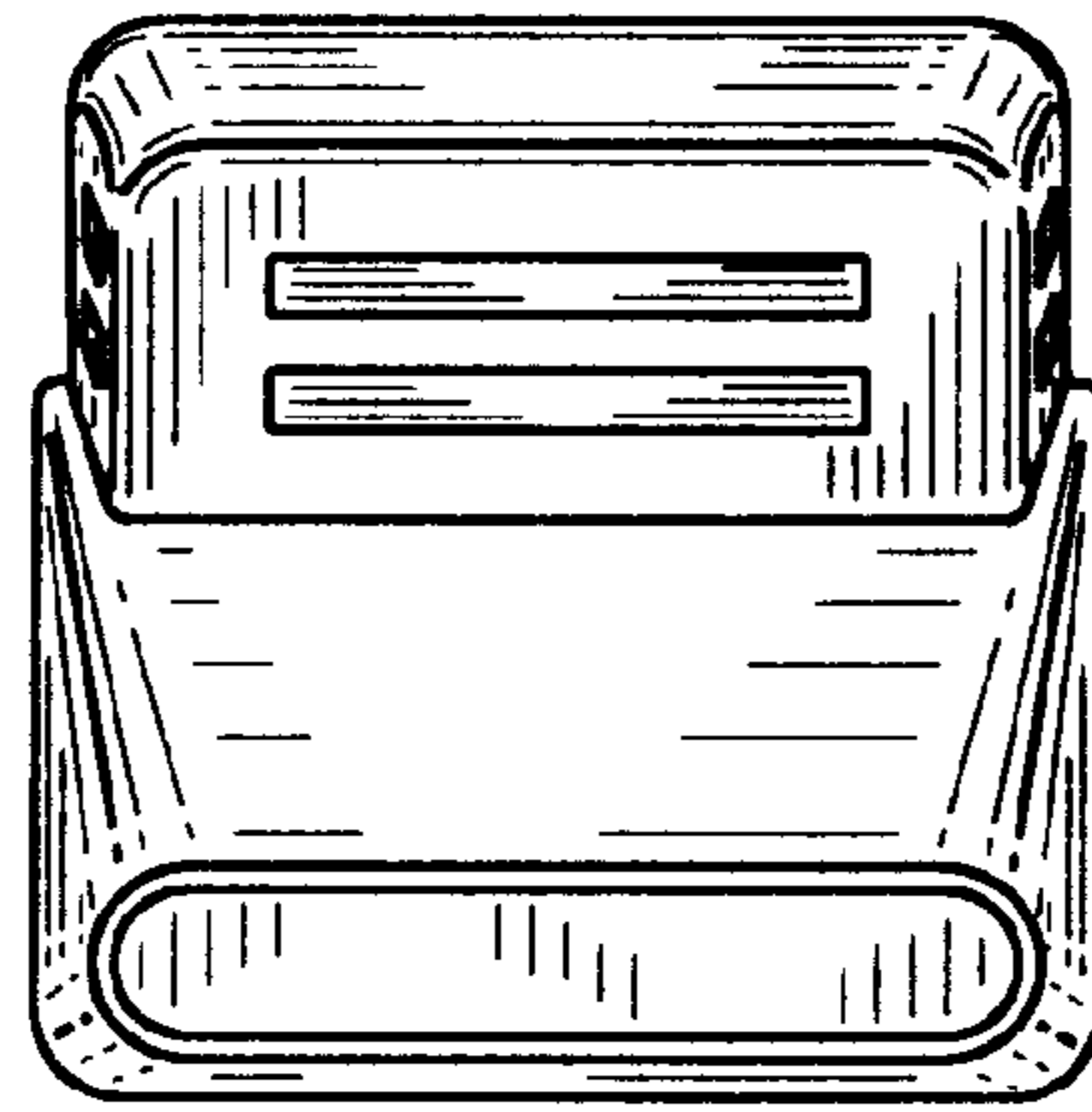


FIG. 3

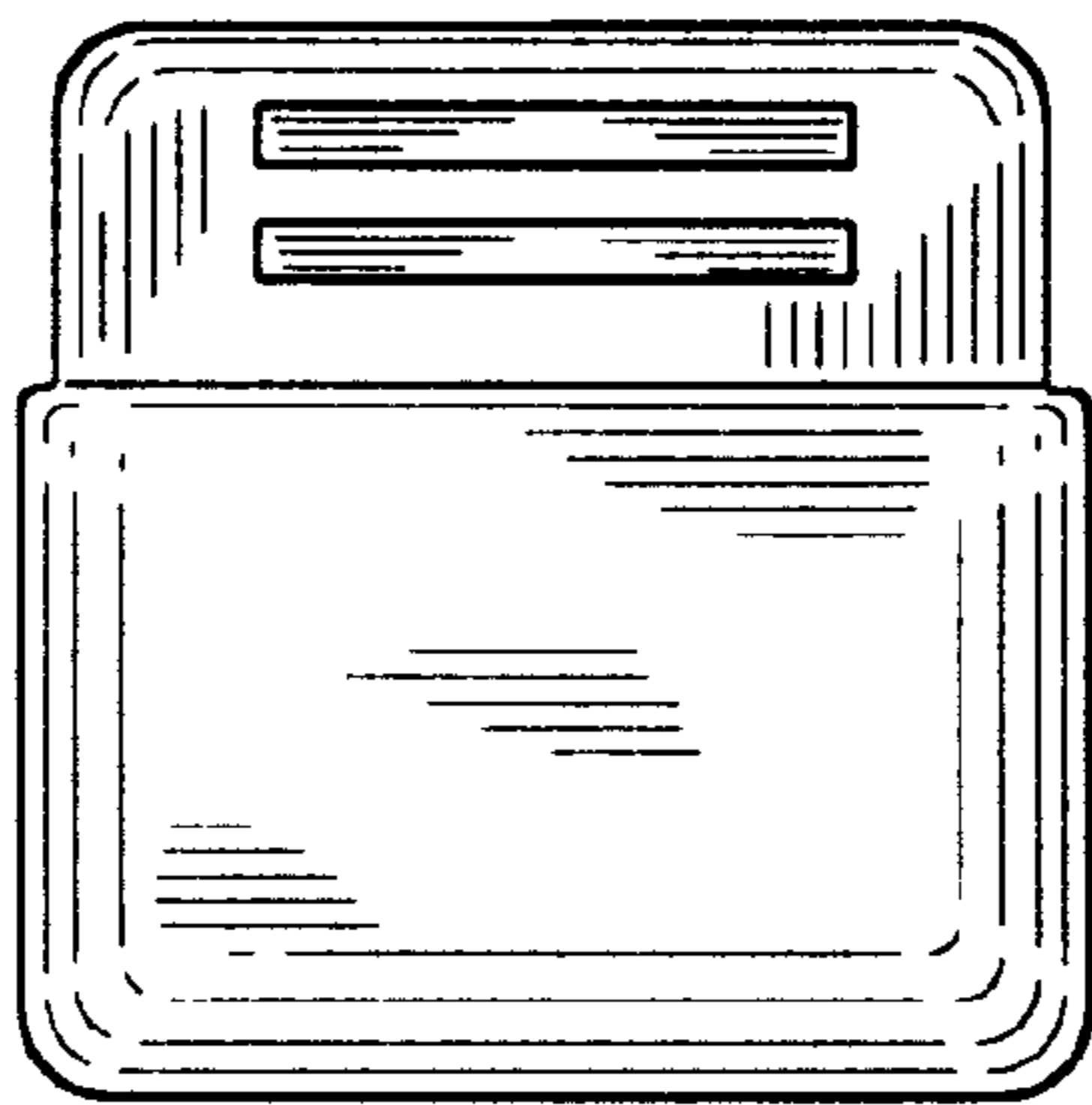


FIG. 4