



US00D441856S

(12) **United States Design Patent**
Wettergren

(10) **Patent No.:** **US D441,856 S**

(45) **Date of Patent:** **** May 8, 2001**

(54) **COMBINED CEILING LIGHT AND VENT INTAKE**

3,311,044 * 3/1967 Marino 454/284
5,211,605 * 5/1993 Shiga et al. 454/284

(75) Inventor: **Ola Wettergren**, Sarasota, FL (US)

* cited by examiner

(73) Assignee: **R. B. Kanalfakt, Inc.**, Sarasota, FL (US)

Primary Examiner—Lisa Lichtenstein
(74) *Attorney, Agent, or Firm*—Charles J. Prescott

(**) Term: **14 Years**

(57) **CLAIM**

(21) Appl. No.: **29/115,804**

The ornamental design for a combined ceiling light and vent intake, as shown and described.

(22) Filed: **Dec. 21, 1999**

DESCRIPTION

(51) **LOC (7) Cl.** **23-04**

FIG. 1 is a right side elevation view of my combined ceiling light and vent intake.

(52) **U.S. Cl.** **D23/328; D23/385; D26/59**

FIG. 2 is a left side elevation view thereof;

(58) **Field of Search** **D26/59; D23/370, D23/385, 328; 454/293-295**

FIG. 3 is a bottom plan view thereof;

FIG. 4 is a top plan view thereof;

FIG. 5 is a perspective view thereof; and,

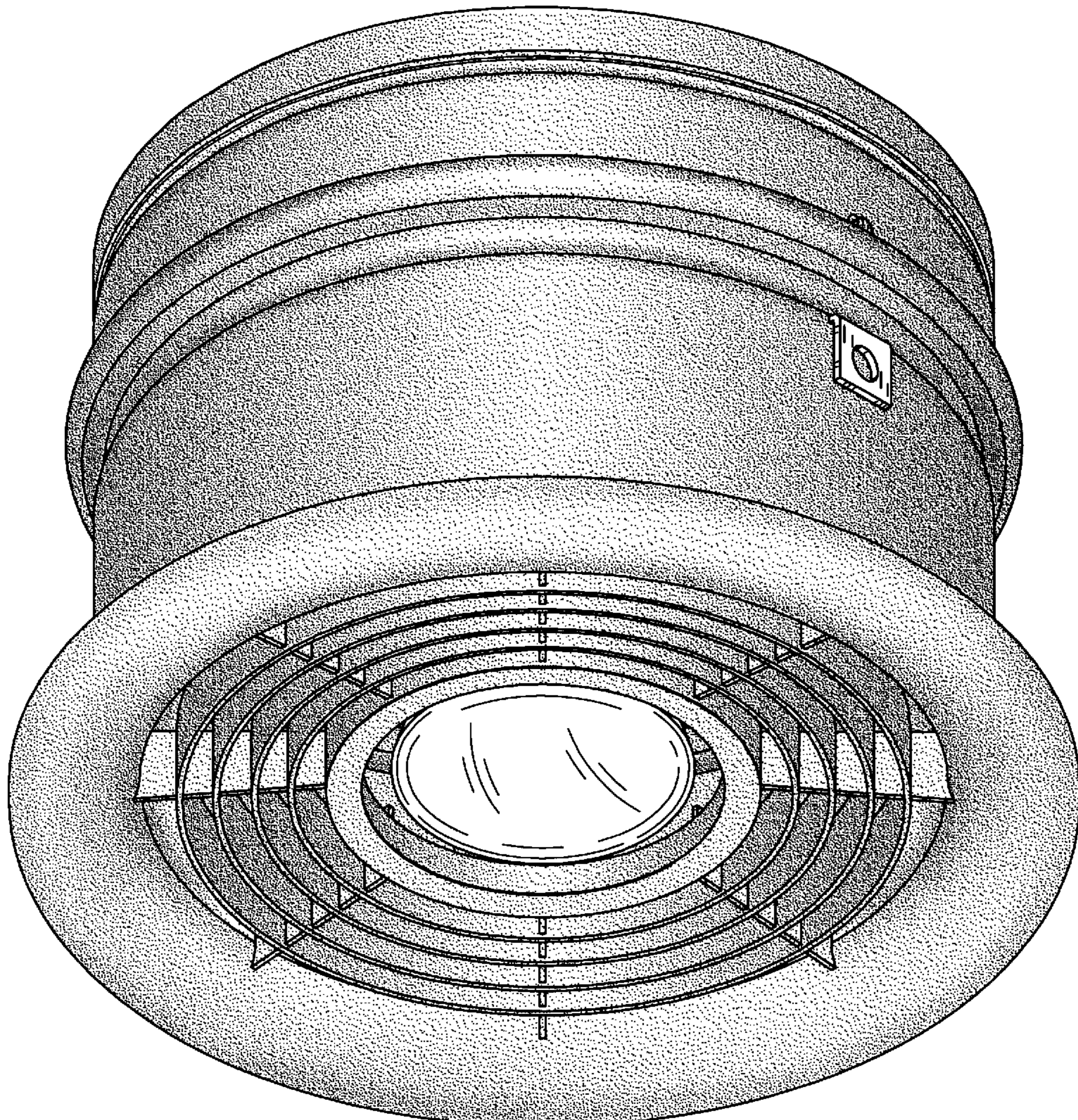
FIG. 6 is an exploded perspective view thereof on a reduced scale.

(56) **References Cited**

U.S. PATENT DOCUMENTS

2,697,163 * 12/1954 Spear 454/284

1 Claim, 6 Drawing Sheets



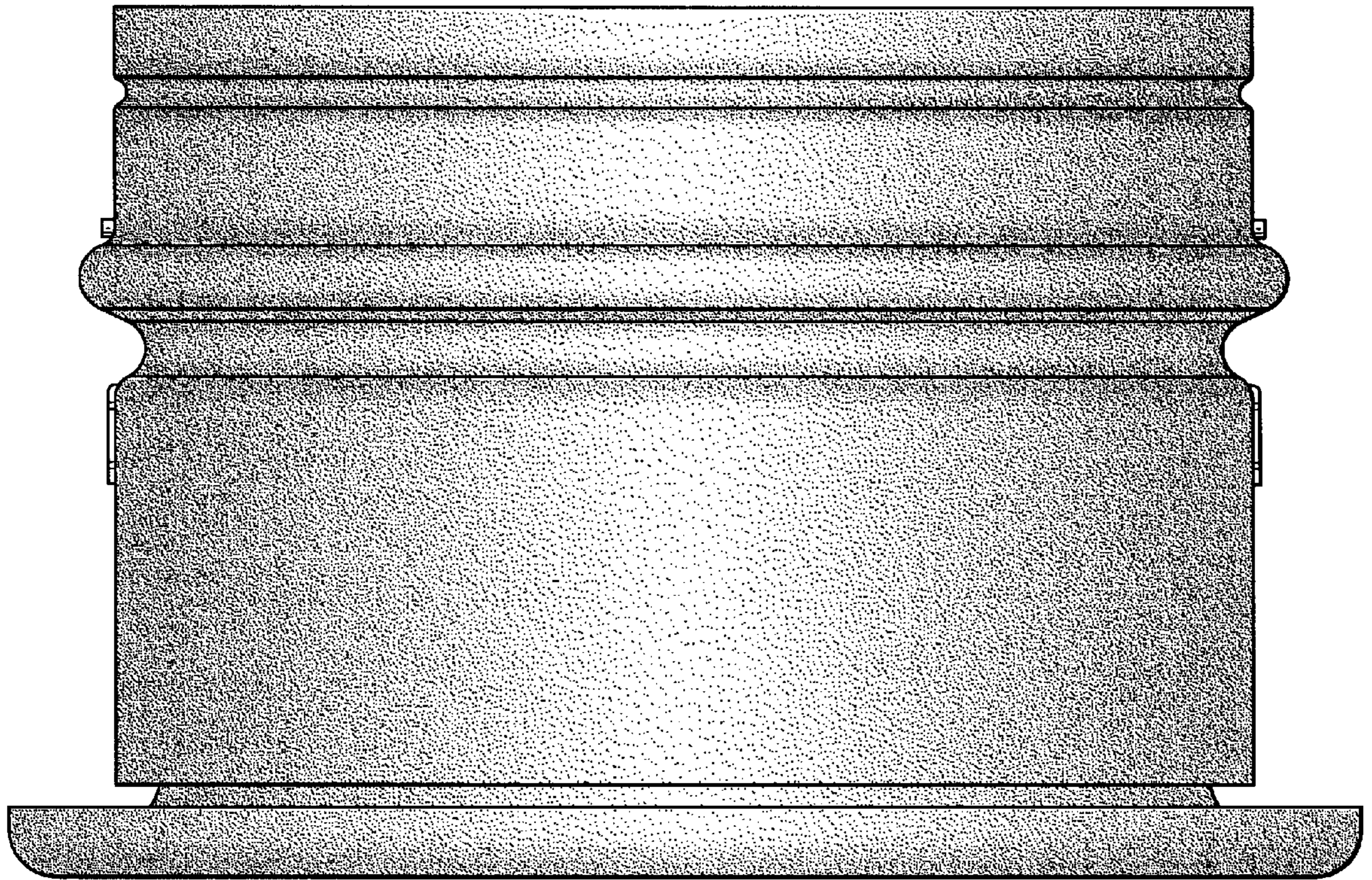


FIG. 1

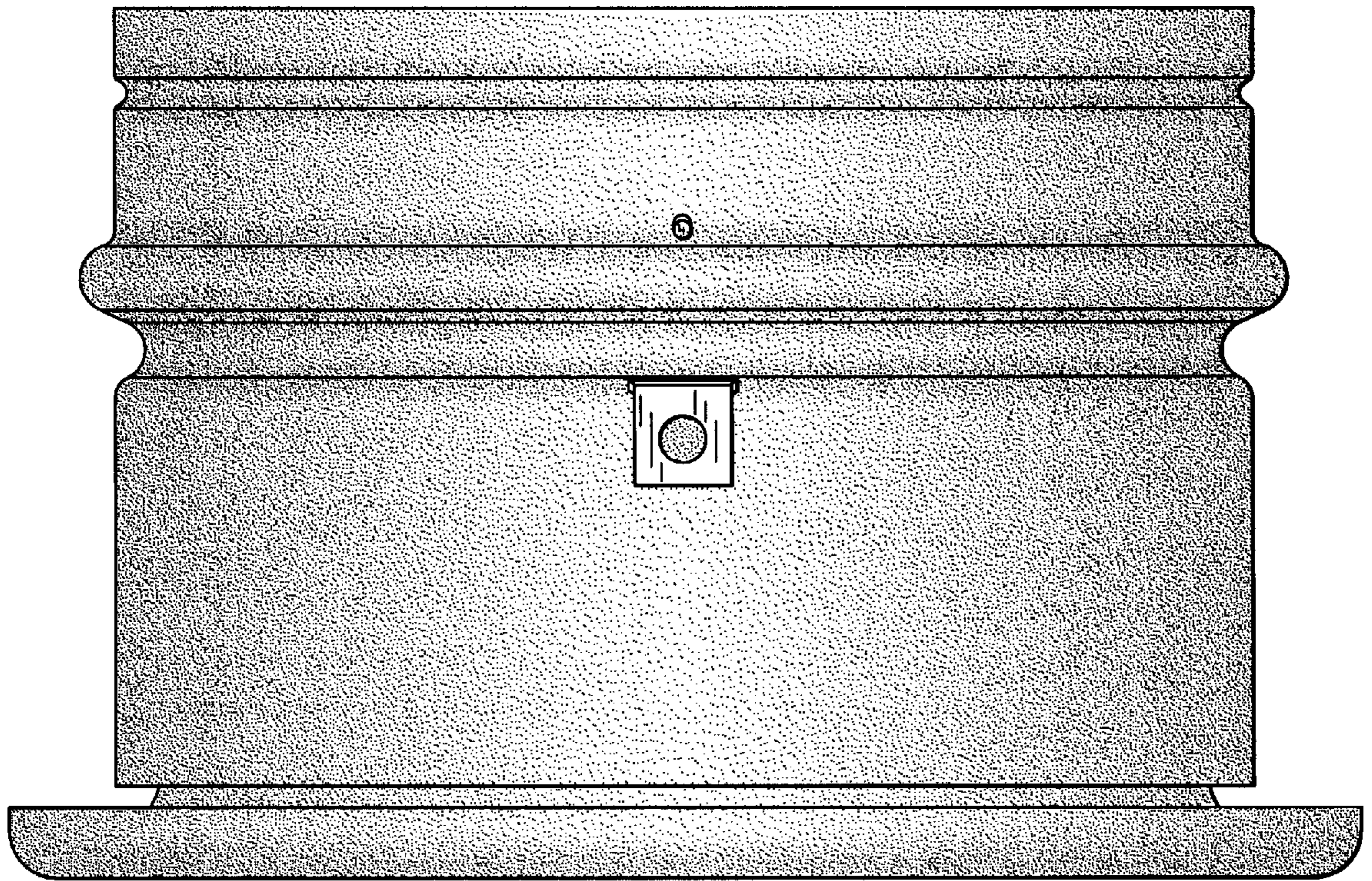


FIG. 2

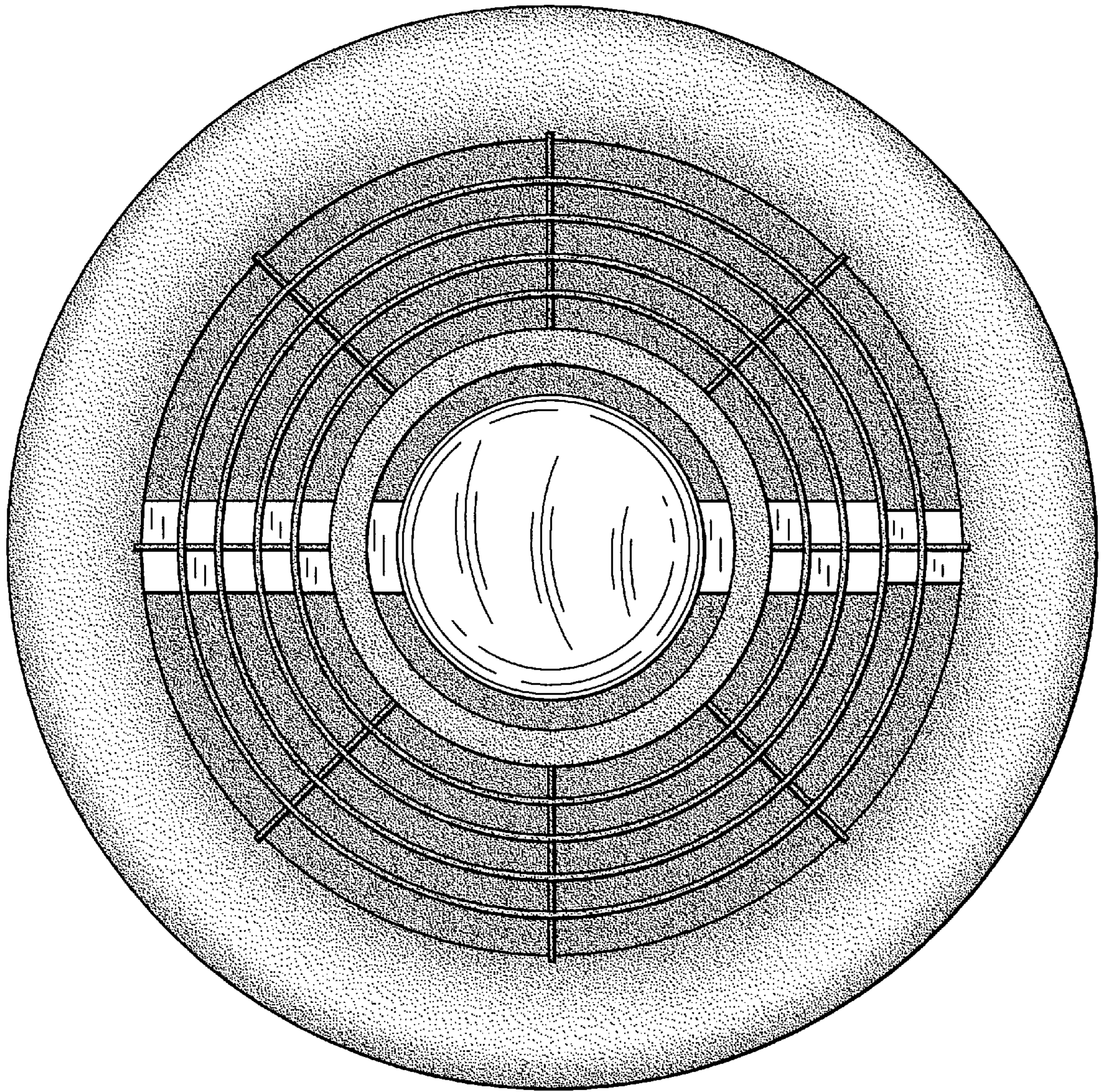


FIG. 3

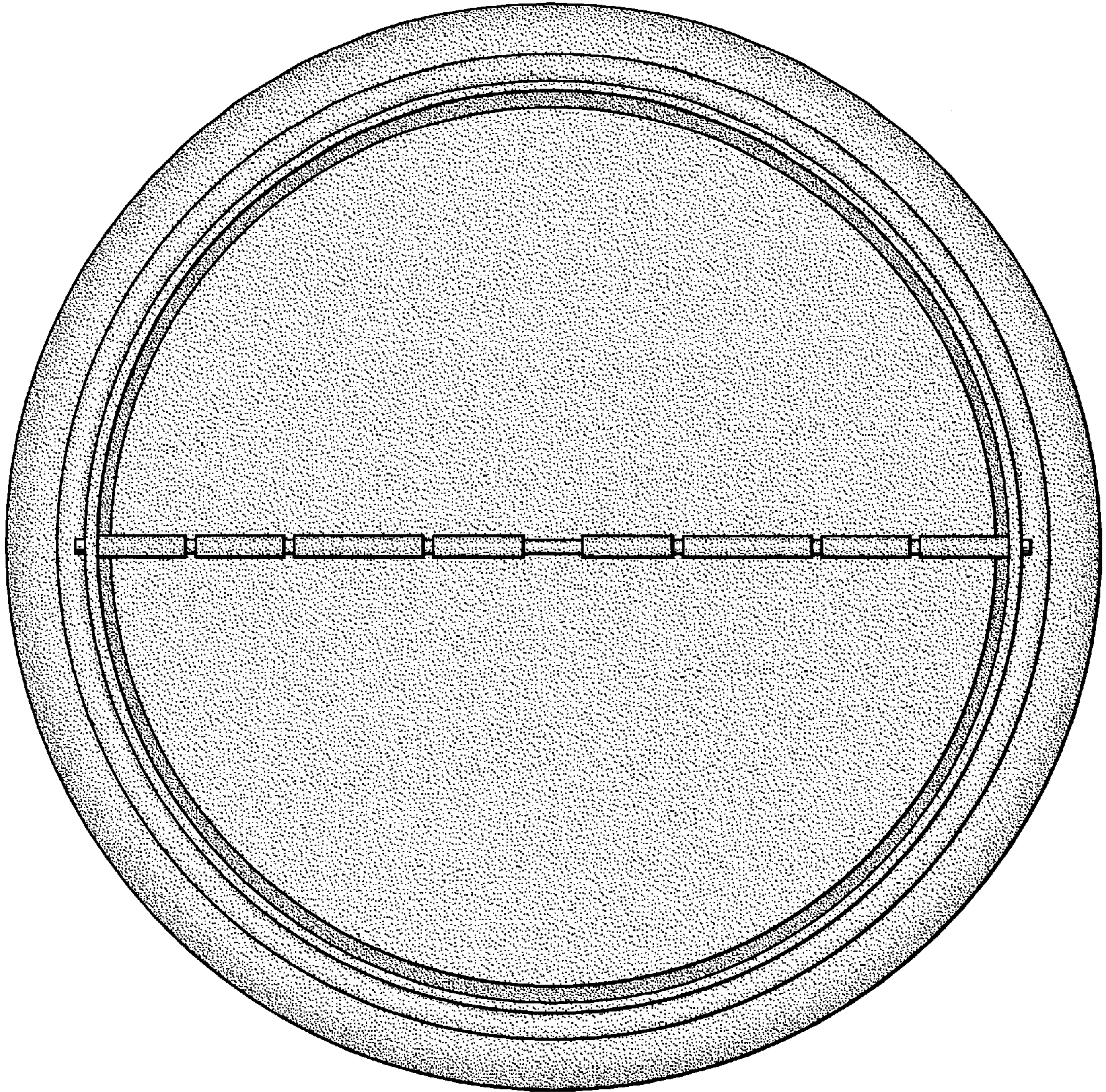


FIG. 4

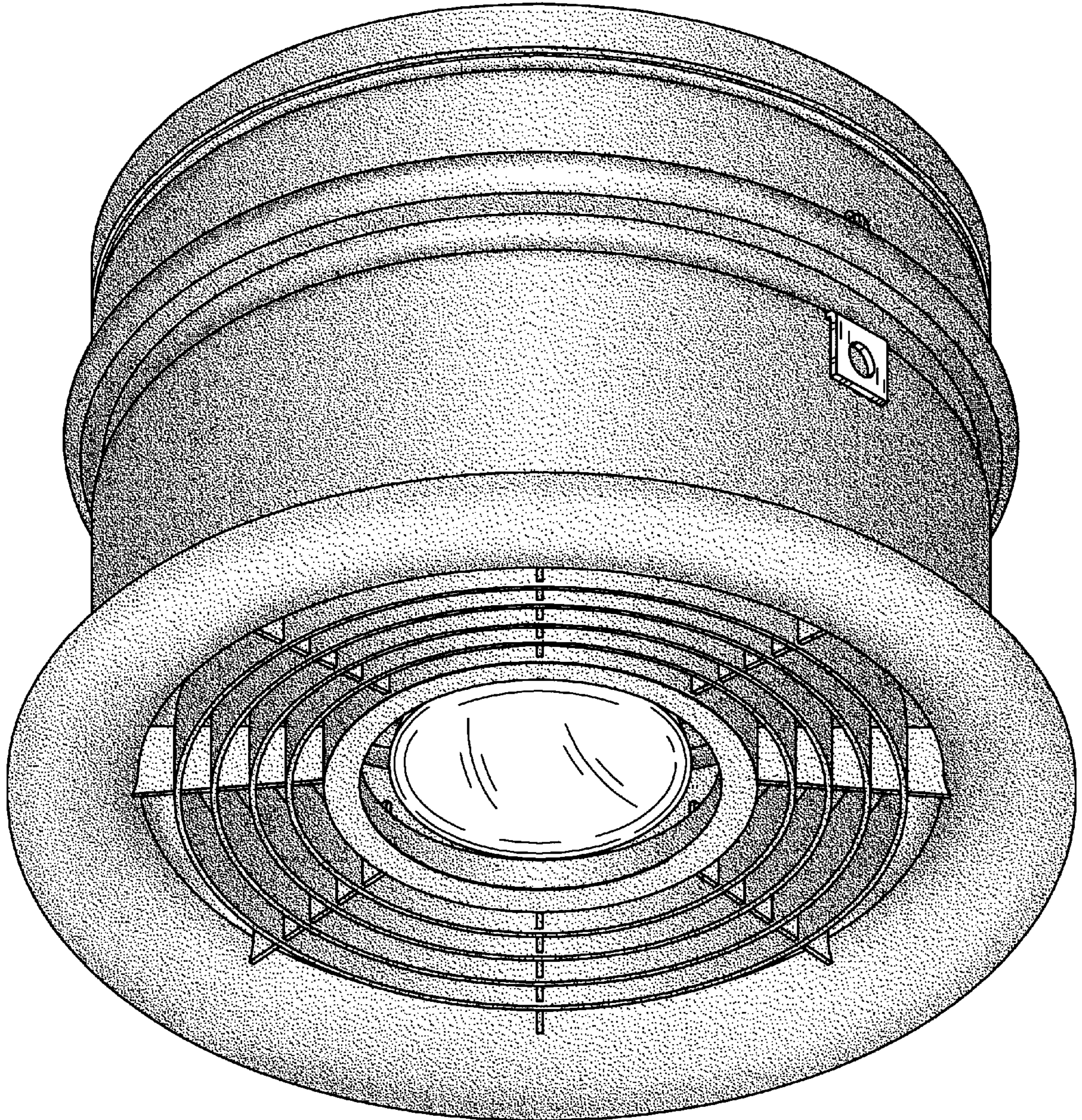


FIG. 5

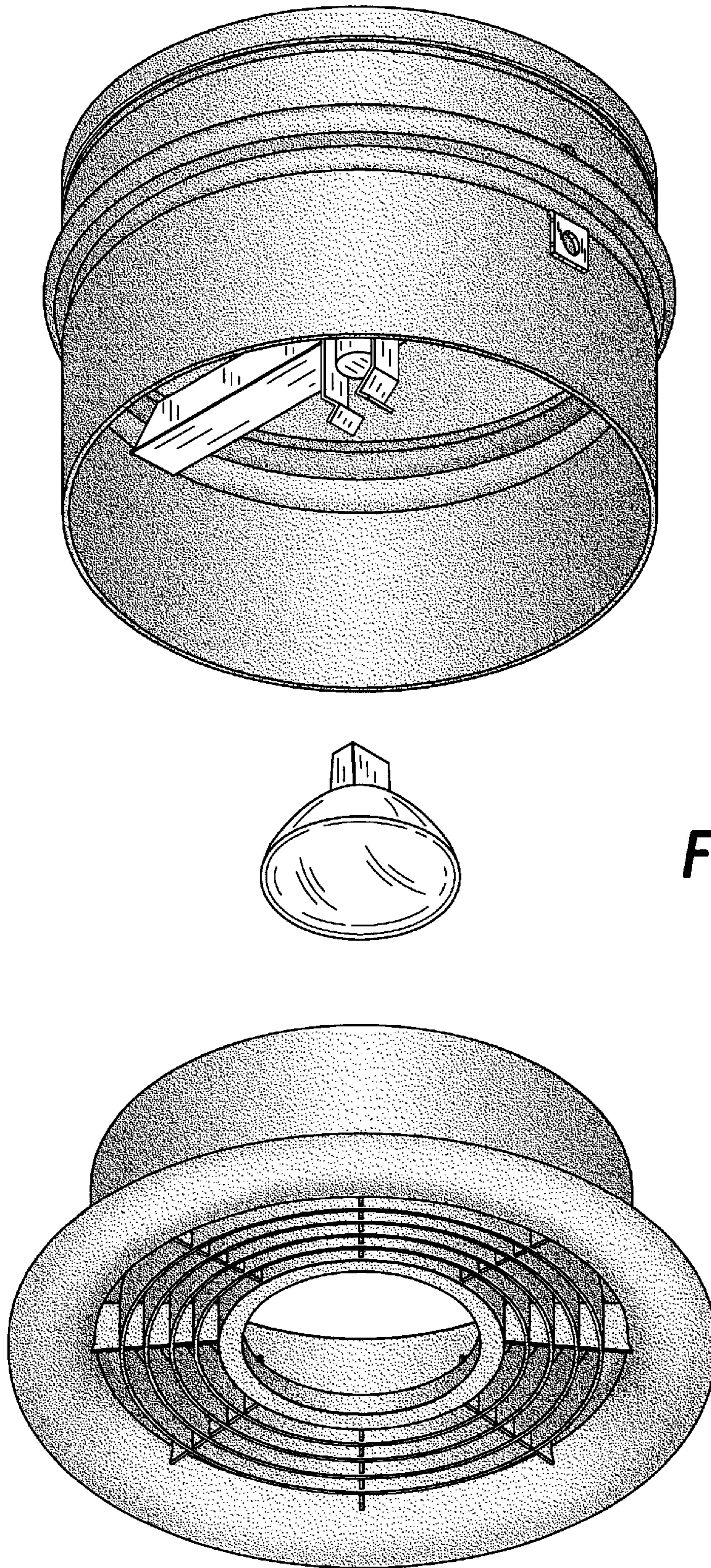


FIG. 6