



US00D441855S

(12) **United States Design Patent**
Fine

(10) **Patent No.:** **US D441,855 S**

(45) **Date of Patent:** **** May 8, 2001**

(54) **WATER HEATER STAND**

5,836,554 * 11/1998 Lesage 248/346.01

(75) Inventor: **Darren Fine**, Lindsay, CA (US)

* cited by examiner

(73) Assignee: **National Diversified Sales, Inc.**,
Lindsay, CA (US)

Primary Examiner—B. J. Bullock

(74) *Attorney, Agent, or Firm*—Richard D. Slehofer

(**) Term: **14 Years**

(57) **CLAIM**

(21) Appl. No.: **29/123,218**

The ornamental design for a water heater stand, as shown and described.

(22) Filed: **May 12, 2000**

DESCRIPTION

(51) **LOC (7) Cl.** **23-03**

(52) **U.S. Cl.** **D23/322**

(58) **Field of Search** D23/318–322;
126/363; 248/346.01, 146; 220/571; 137/312,
362, 376; D6/486; 392/451

FIG. 1 is a perspective view of my water heater stand showing my new design, the broken lines showing a water heater are for illustrative purposes only and form no part of the claimed design;

FIG. 2 is a front elevational view thereof;

FIG. 3 is a right side elevational view thereof;

FIG. 4 is a left side elevational view thereof;

FIG. 5 is a rear elevational view thereof;

FIG. 6 is a top plan view thereof;

FIG. 7 is a bottom plan view thereof; and,

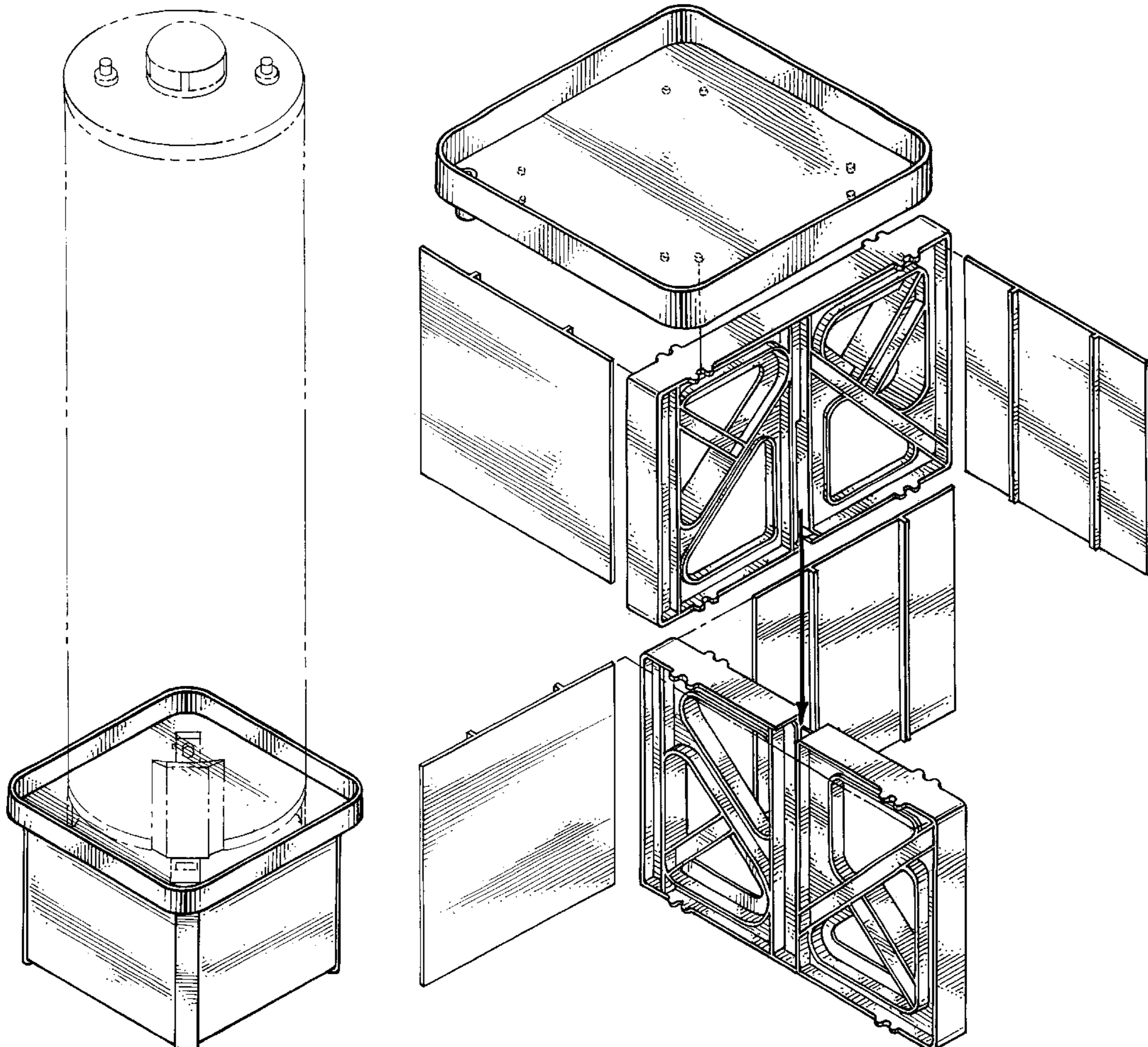
FIG. 8 is an exploded view for clarity.

(56) **References Cited**

U.S. PATENT DOCUMENTS

D. 344,859	*	3/1994	Butterfield	D6/486
4,577,828	*	3/1986	Drucker et al.	.	
4,765,360	*	8/1988	Baird	137/312
5,574,822	*	11/1996	West	392/451
5,794,609	*	8/1998	Grant	137/312

1 Claim, 3 Drawing Sheets



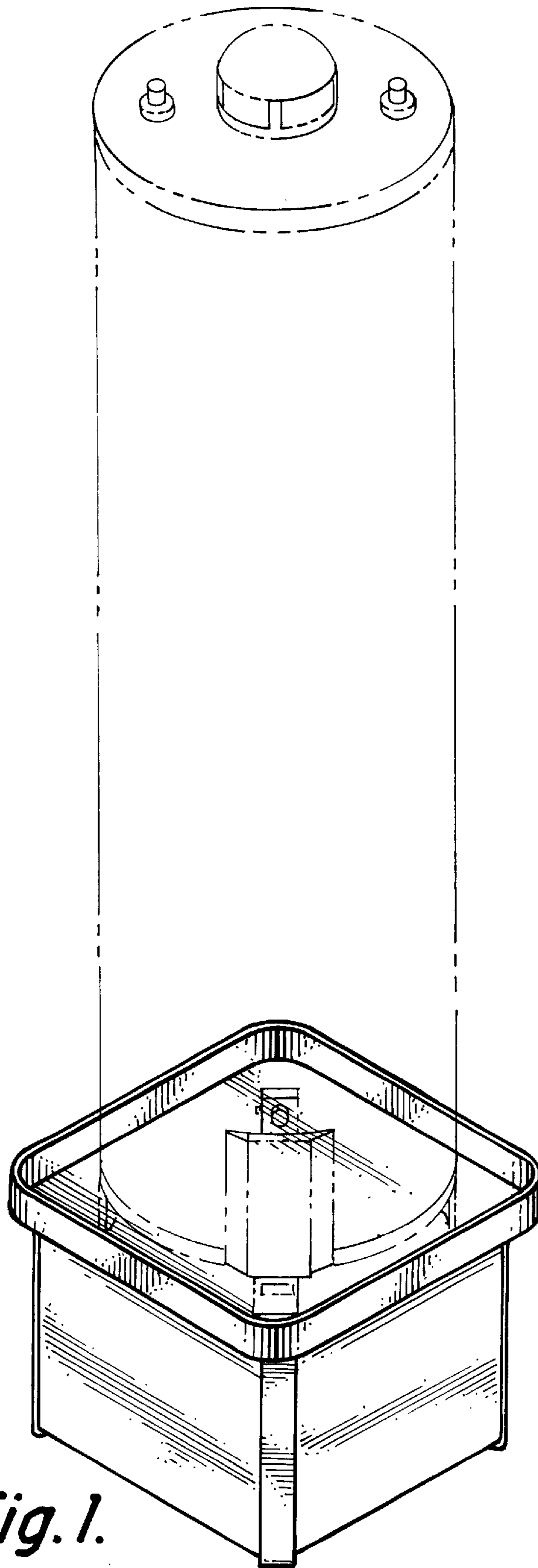


Fig. 1.

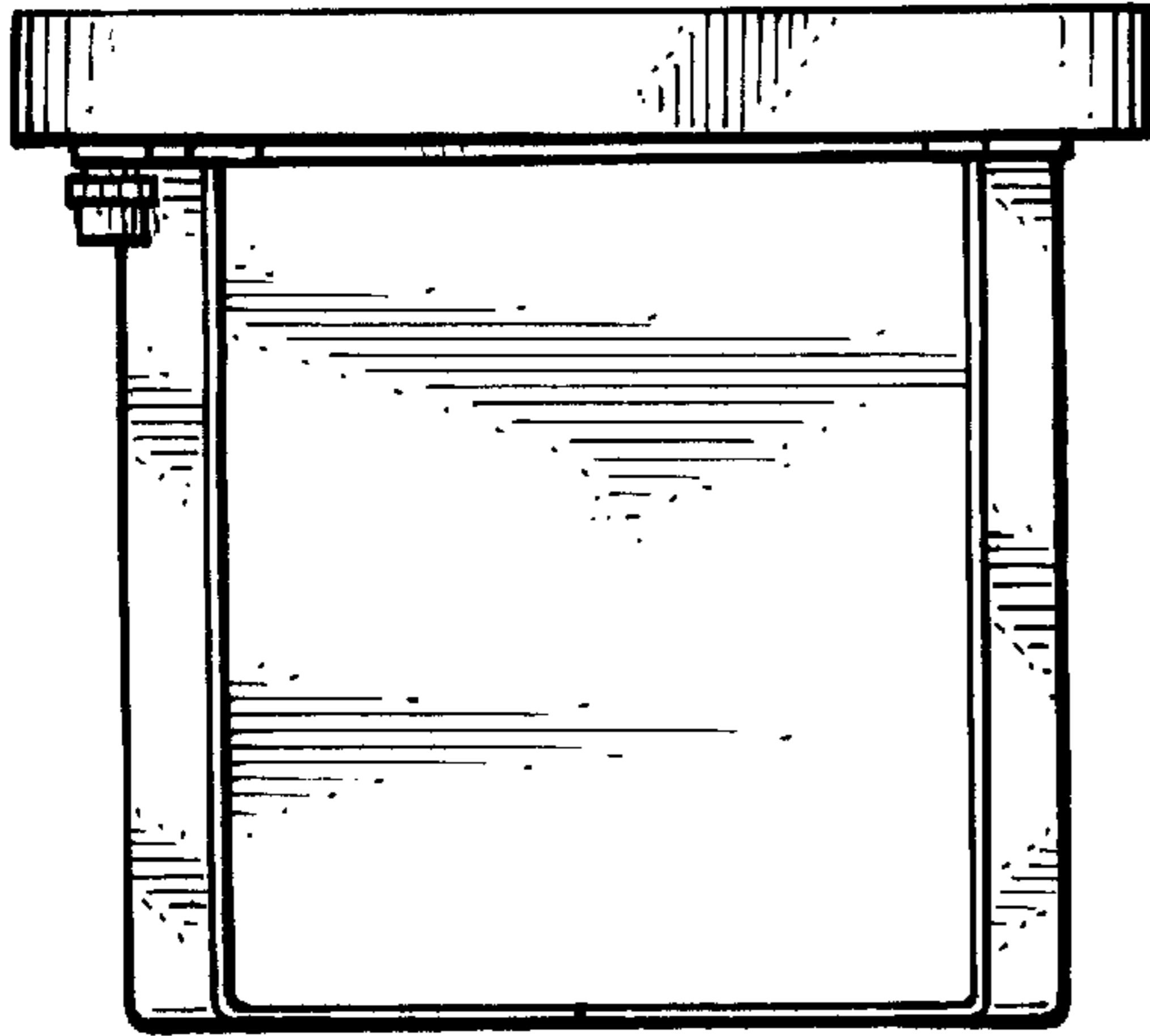


Fig. 2.

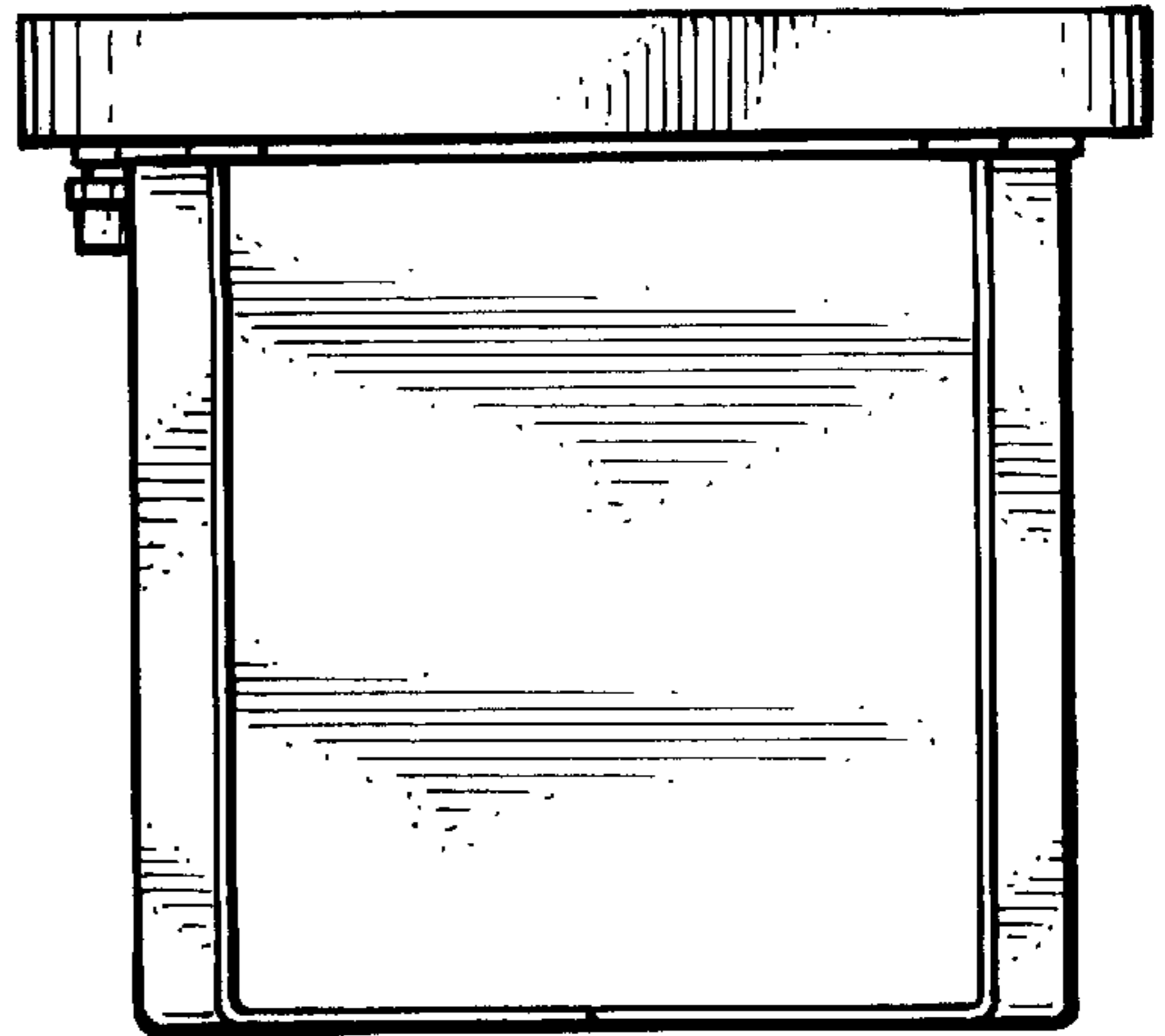


Fig. 3.

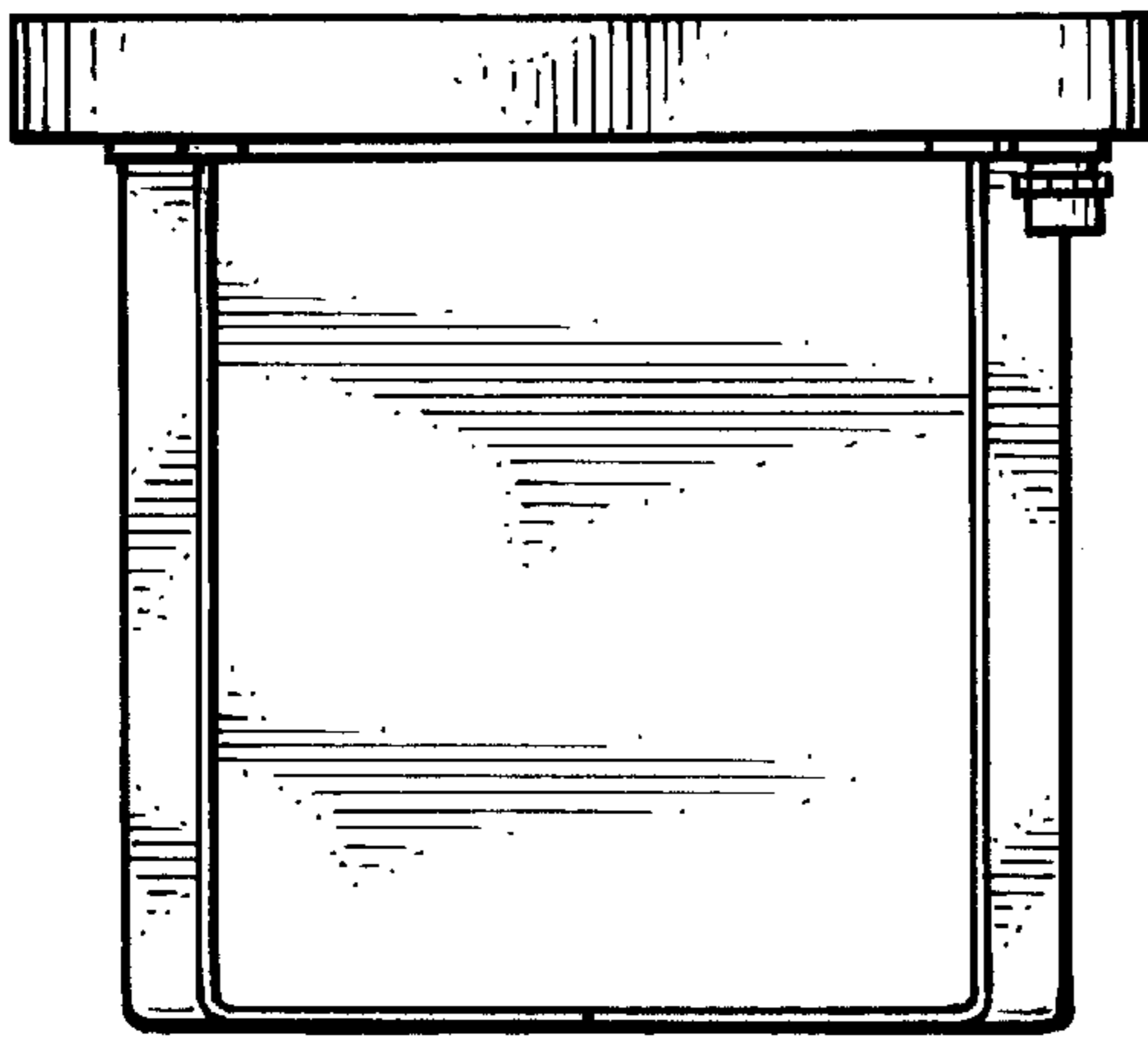


Fig. 4.

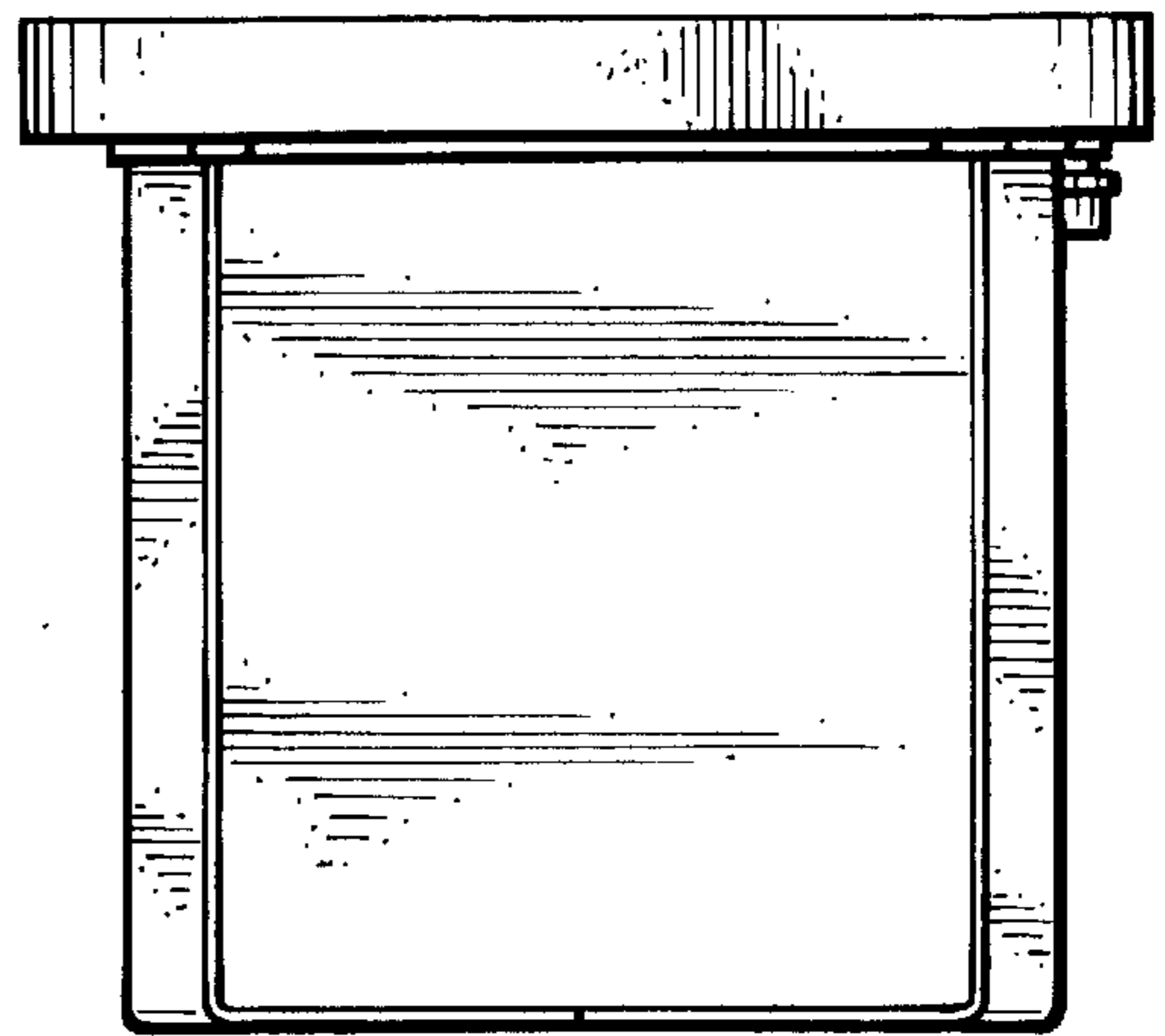


Fig. 5.

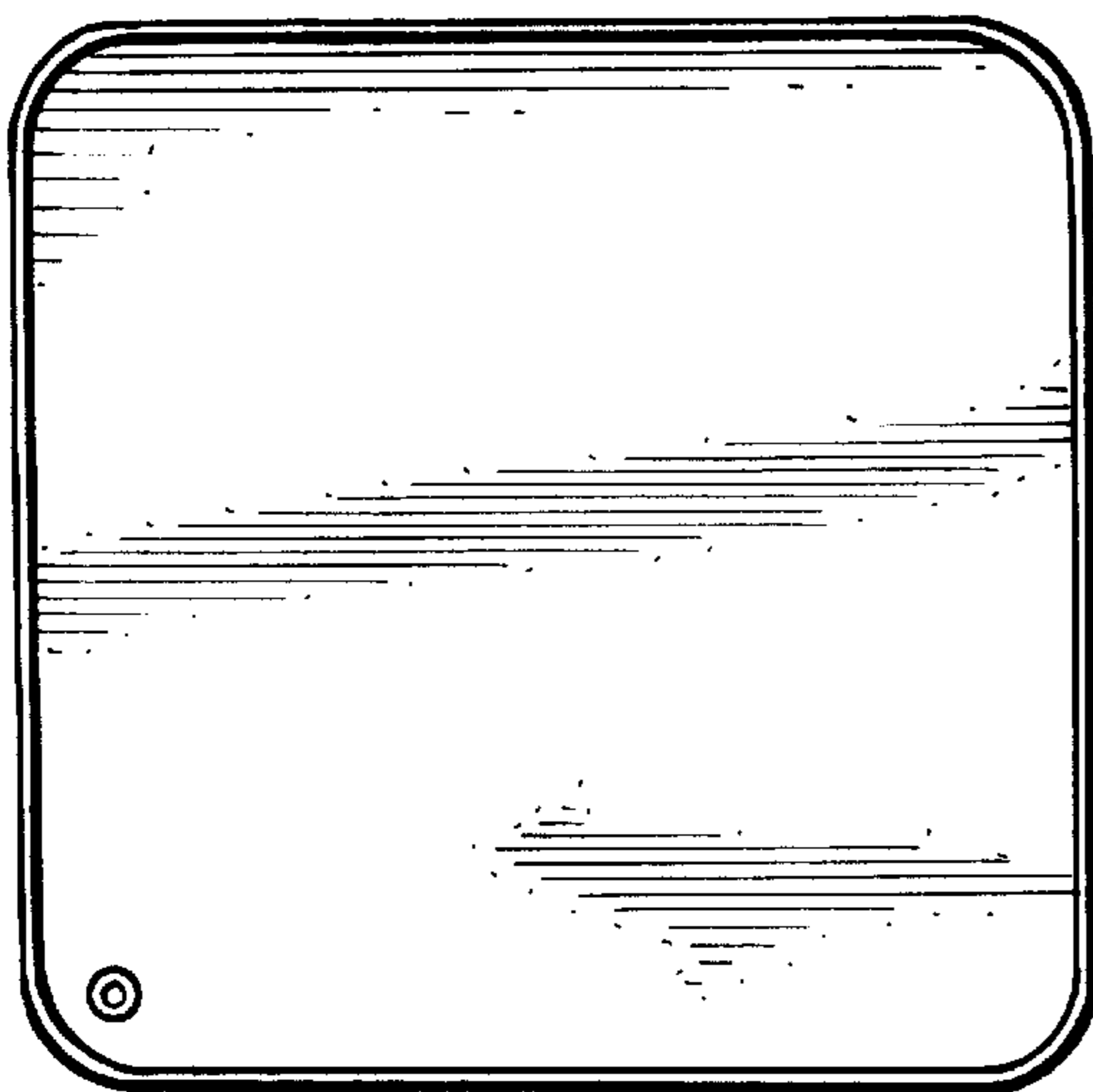


Fig. 6.

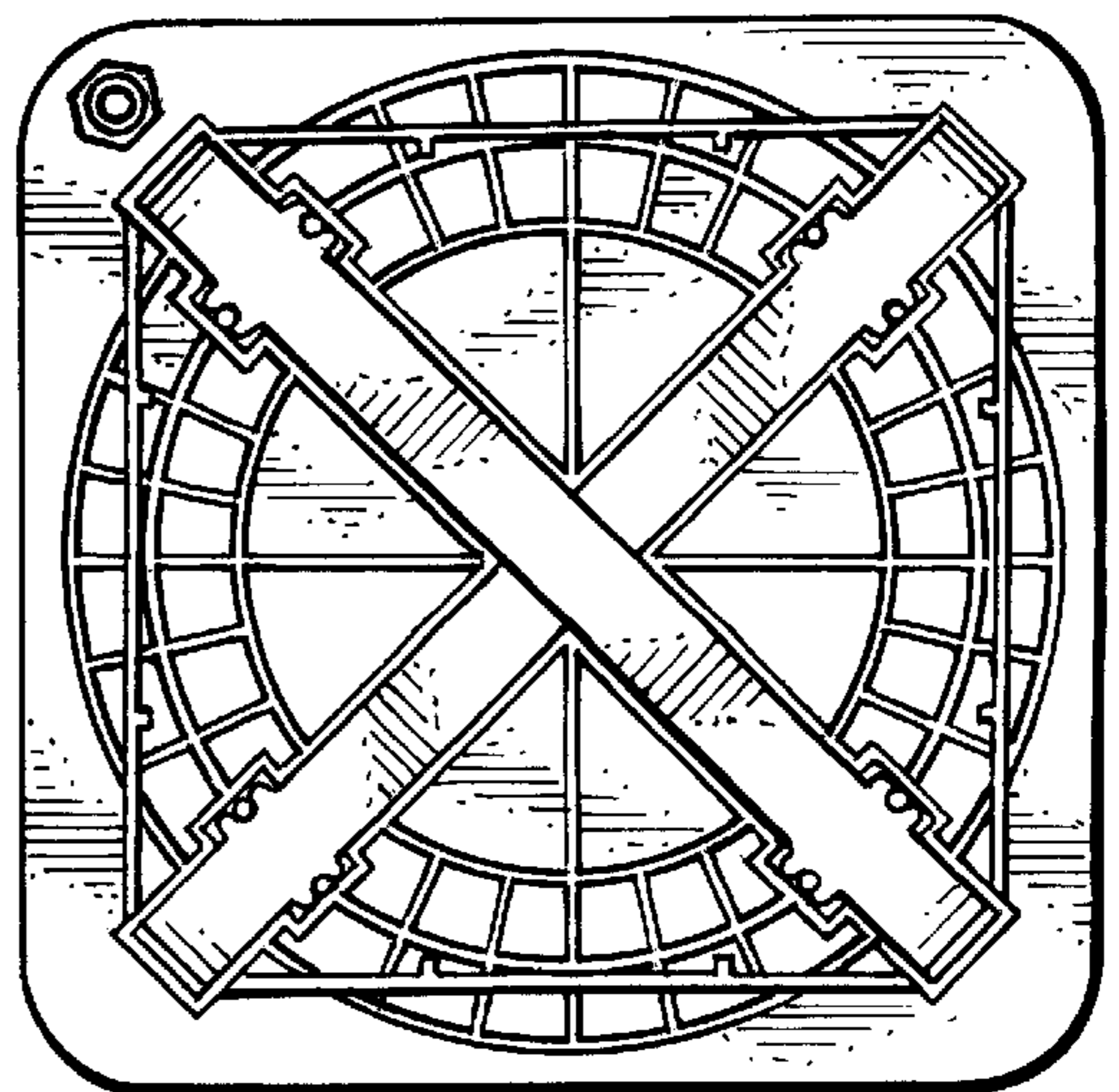


Fig. 7.

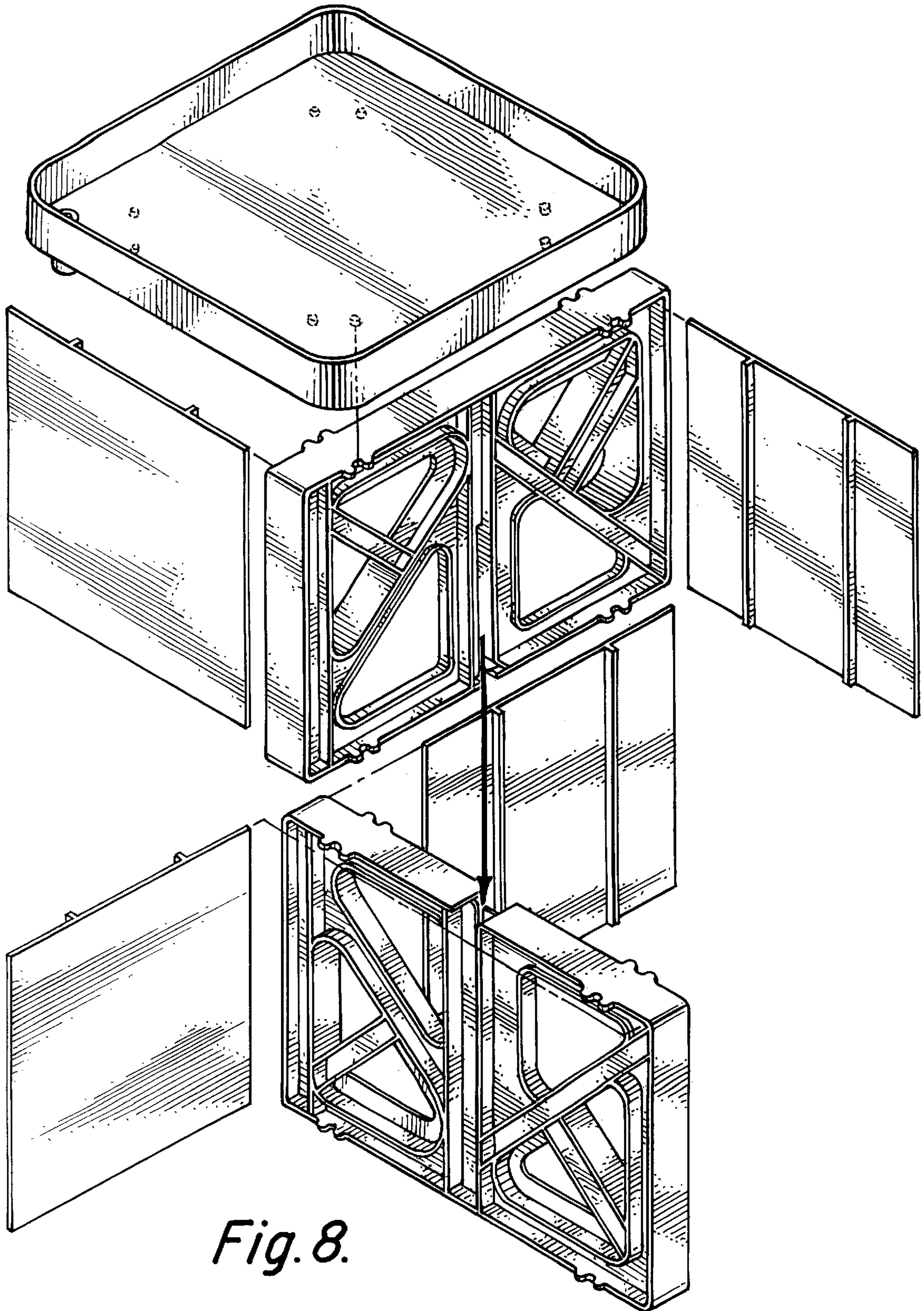


Fig. 8.