



US00D441854S

(12) **United States Design Patent**
Cool

(10) **Patent No.:** **US D441,854 S**

(45) **Date of Patent:** **** May 8, 2001**

(54) **TOILET LID COVER**

(76) Inventor: **Carmen M. Cool**, 2116 Kingsford Dr.,
Florissant, MO (US) 63031

(**) Term: **14 Years**

(21) Appl. No.: **29/117,815**

(22) Filed: **Jan. 31, 2000**

(51) **LOC (7) Cl.** **23-02**

(52) **U.S. Cl.** **D23/311**

(58) **Field of Search** D23/273, 295-301,
D23/303, 309-313; 4/253, 300, 300.3, 321,
328-329, 245.1, 245.6, 353, 419, 420, 443-444,
446, 234, 236, 242.1, 901, 902, 246.1,
246.3, 246.5, DIG. 8

(56) **References Cited**

U.S. PATENT DOCUMENTS

D. 149,626	*	5/1948	Fielding	D23/311
D. 195,397	*	6/1963	Whitehorn	D23/312
D. 275,418	*	9/1984	Spiro	D23/312
D. 314,043	*	1/1991	Beller et al.	D23/311
D. 320,069	*	9/1991	Rossiter	D23/311
D. 403,753	*	1/1999	Yu	D23/296
D. 421,794	*	3/2000	Mc Gill	D23/311
5,815,851	*	10/1998	Perry	4/300.3
5,864,892	*	2/1999	Cool	4/245.1 X

* cited by examiner

Primary Examiner—Louis S. Zarfes
Assistant Examiner—Robert A. Delehanty
(74) *Attorney, Agent, or Firm*—Kevin L. Klug

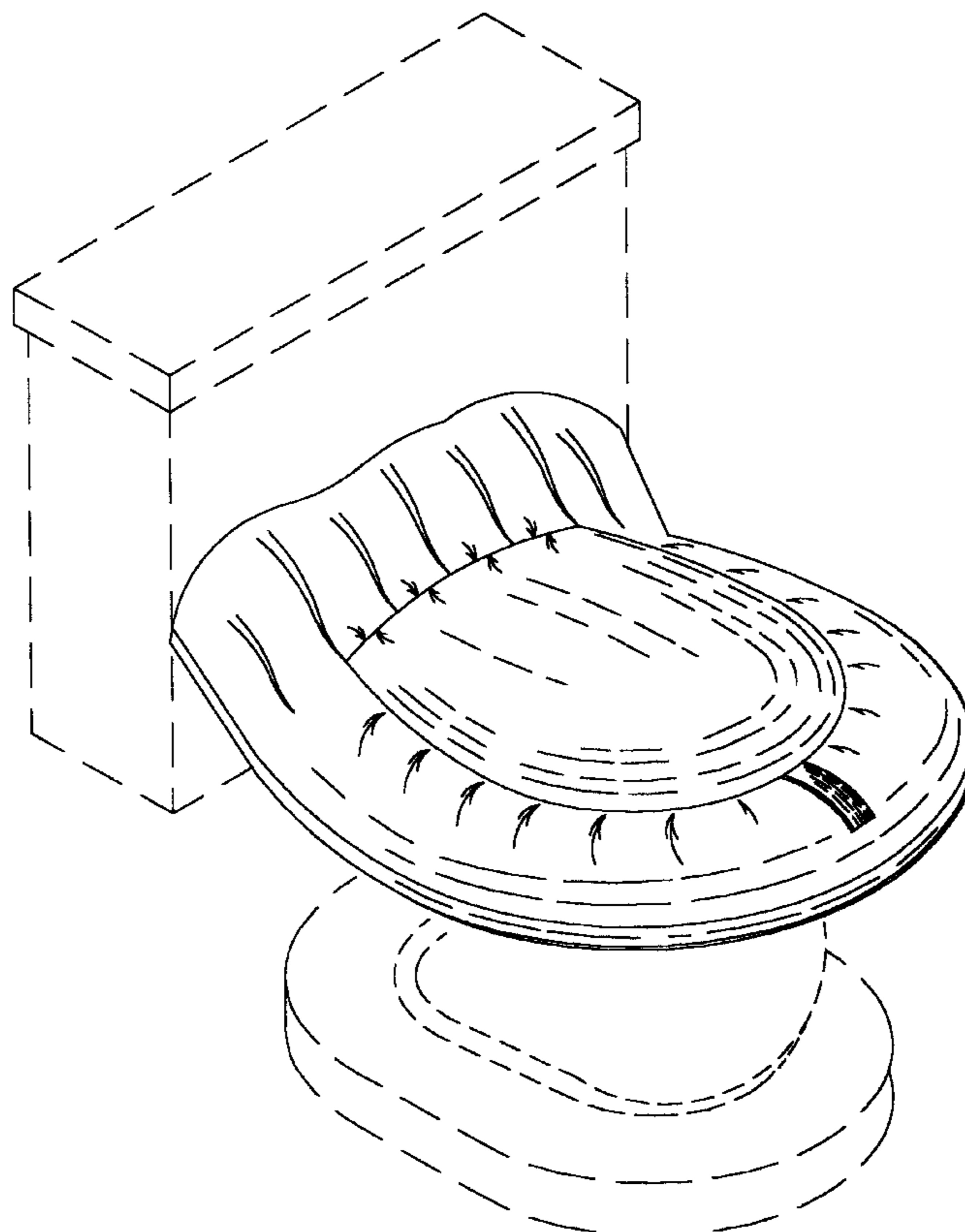
(57) **CLAIM**

The ornamental design for a toilet lid cover, as shown and described.

DESCRIPTION

FIG. 1 is a top, front perspective view of a toilet seat cover showing my new design in condition of use on a toilet;
FIG. 2 is a top rear perspective view thereof, shown flat when not in condition of use;
FIG. 3 is a top plan view thereof, shown flat when not in condition of use;
FIG. 4 is a bottom plan view thereof, shown flat when not in condition of use;
FIG. 5 is a rear elevation view thereof, shown in an open position prior to use;
FIG. 6 is a front elevation view thereof, shown in an open position prior to use; and,
FIG. 7 is a right elevation view, the left side being a mirror image thereof, shown in an open position prior to use.
The broken line showing of a toilet is for illustrative purposes only and forms no part of the claimed design.

1 Claim, 5 Drawing Sheets



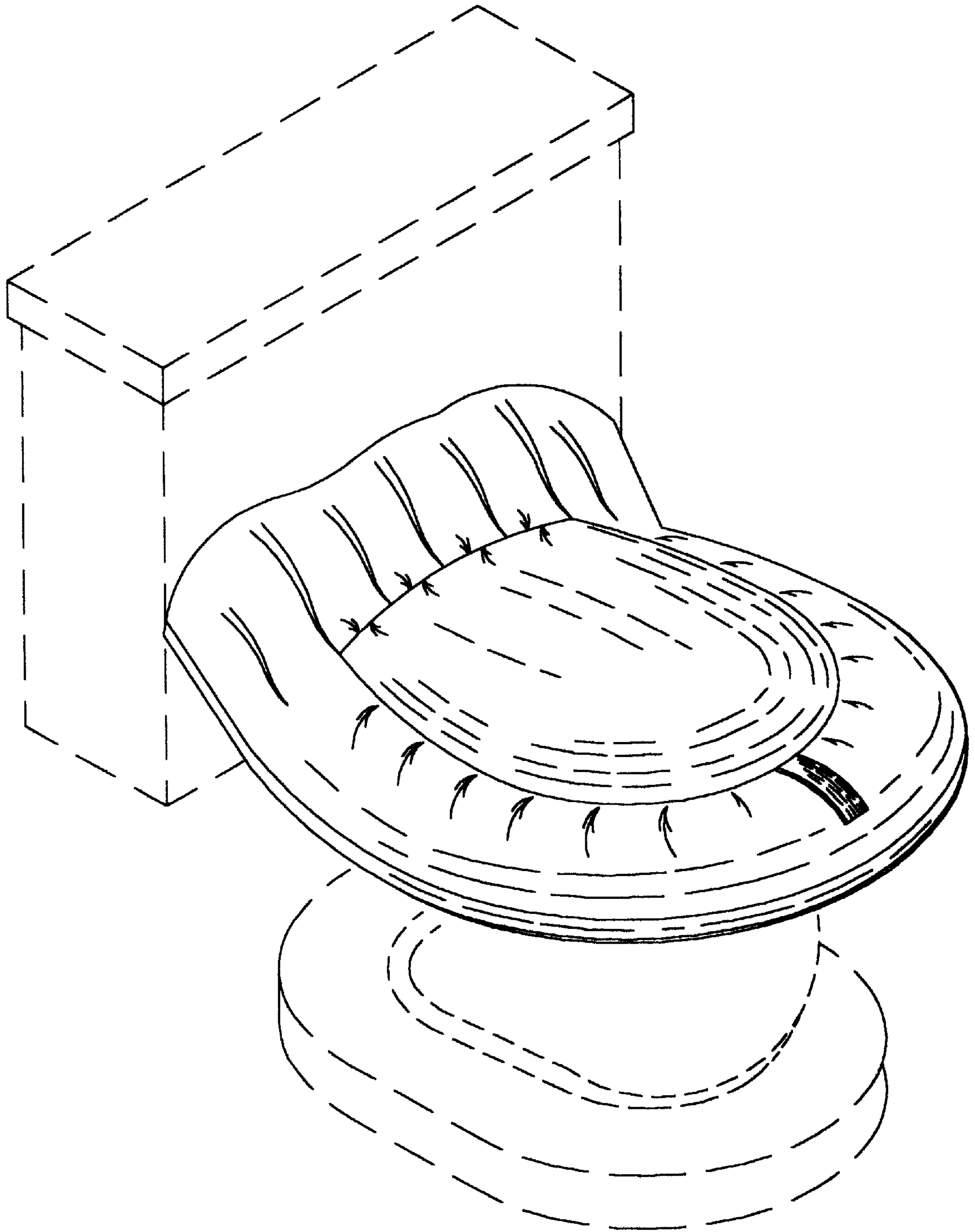


FIGURE 1

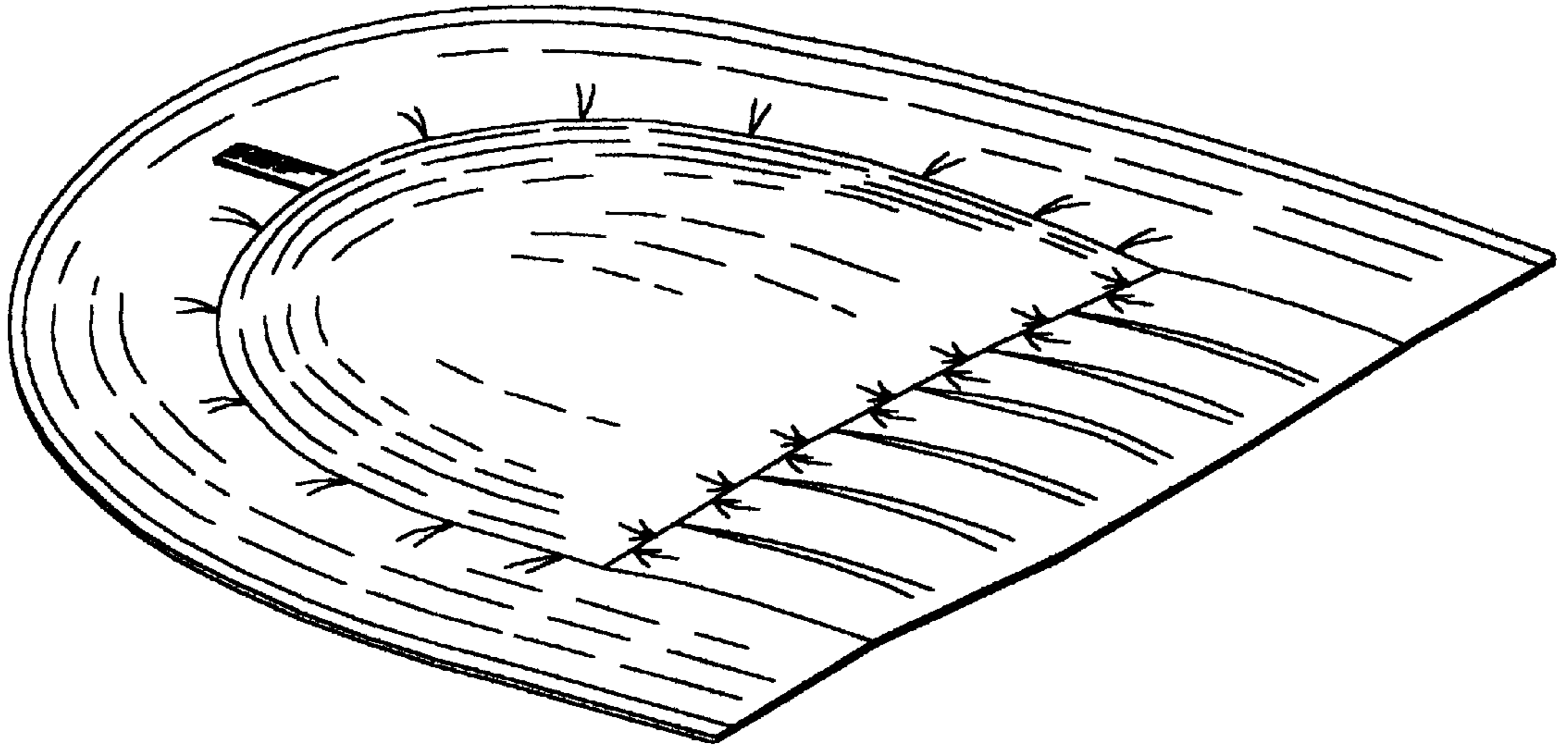


FIGURE 2

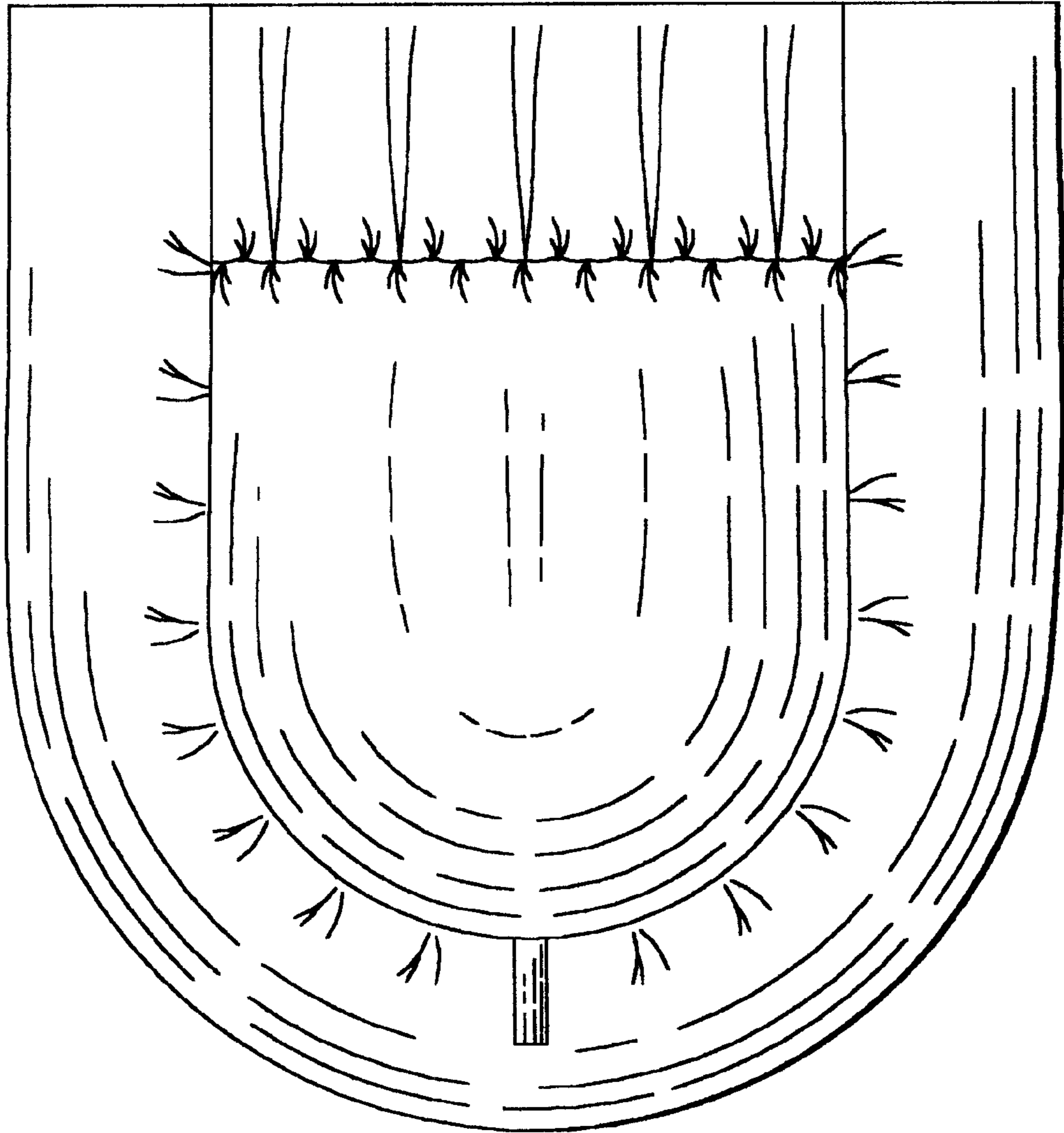


FIGURE 3

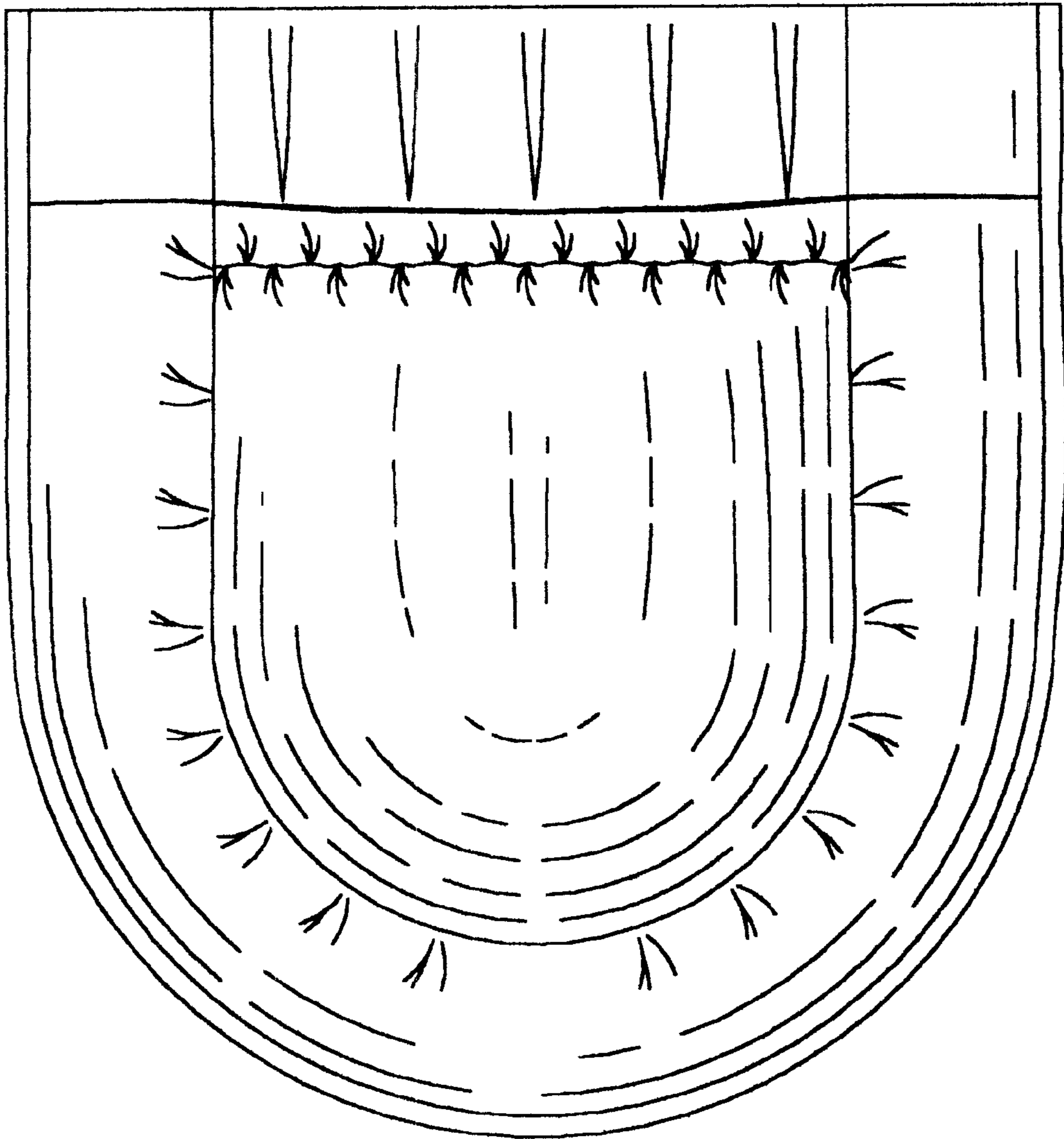


FIGURE 4



FIGURE 5

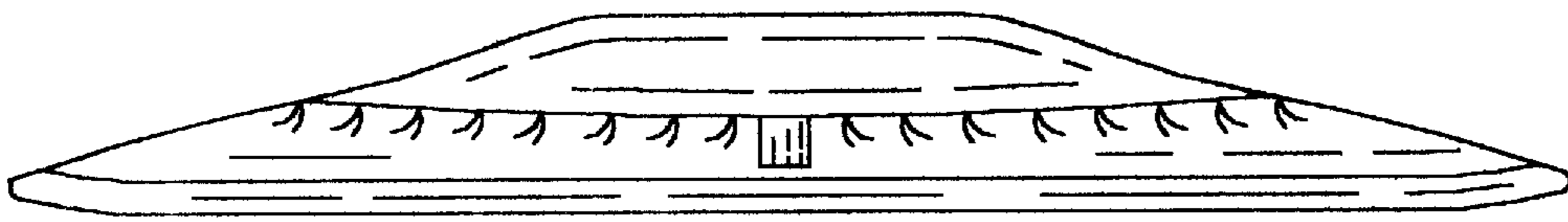


FIGURE 6

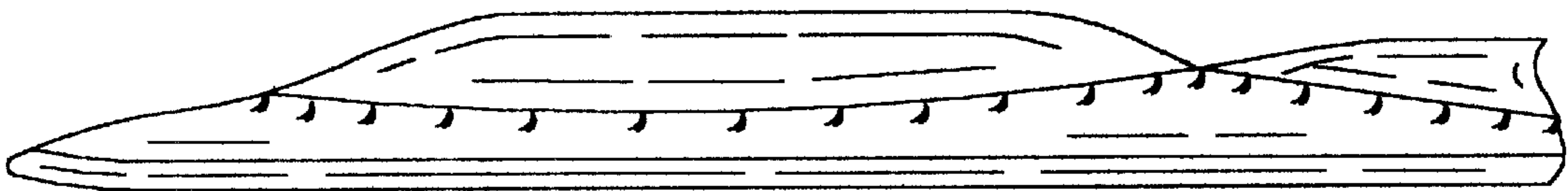


FIGURE 7