



US00D441850S

(12) **United States Design Patent**  
**Jacuzzi**

(10) **Patent No.:** **US D441,850 S**

(45) **Date of Patent:** **\*\* May 8, 2001**

(54) **TUB**

(75) **Inventor:** **Remo C. Jacuzzi**, Little Rock, AR (US)

(73) **Assignee:** **Jason International, Inc.**, North Little Rock, AR (US)

(\*\*) **Term:** **14 Years**

(21) **Appl. No.:** **29/121,314**

(22) **Filed:** **Apr. 6, 2000**

(51) **LOC (7) Cl.** ..... **23-02**

(52) **U.S. Cl.** ..... **D23/277**

(58) **Field of Search** ..... D23/275-278,  
D23/280.2, 303-307; 4/538, 540, 541.1-541.6,  
546, 548, 557, 558, 584, 593

(56) **References Cited**

**U.S. PATENT DOCUMENTS**

- D. 275,597 \* 9/1984 Lax ..... D23/280.1 X
- D. 352,097 \* 11/1994 Kohler, Jr. et al. .... D23/277
- D. 394,696 \* 5/1998 Hundley ..... D23/280.1
- D. 395,698 \* 6/1998 Palacin ..... D23/280.1
- D. 409,730 \* 5/1999 Jones ..... D23/277
- D. 428,475 \* 7/2000 Thomas ..... D23/277

\* cited by examiner

*Primary Examiner*—Louis S. Zarfaz

*Assistant Examiner*—Robert A. Delehanty

(74) *Attorney, Agent, or Firm*—Banner & Witcoff LTD.

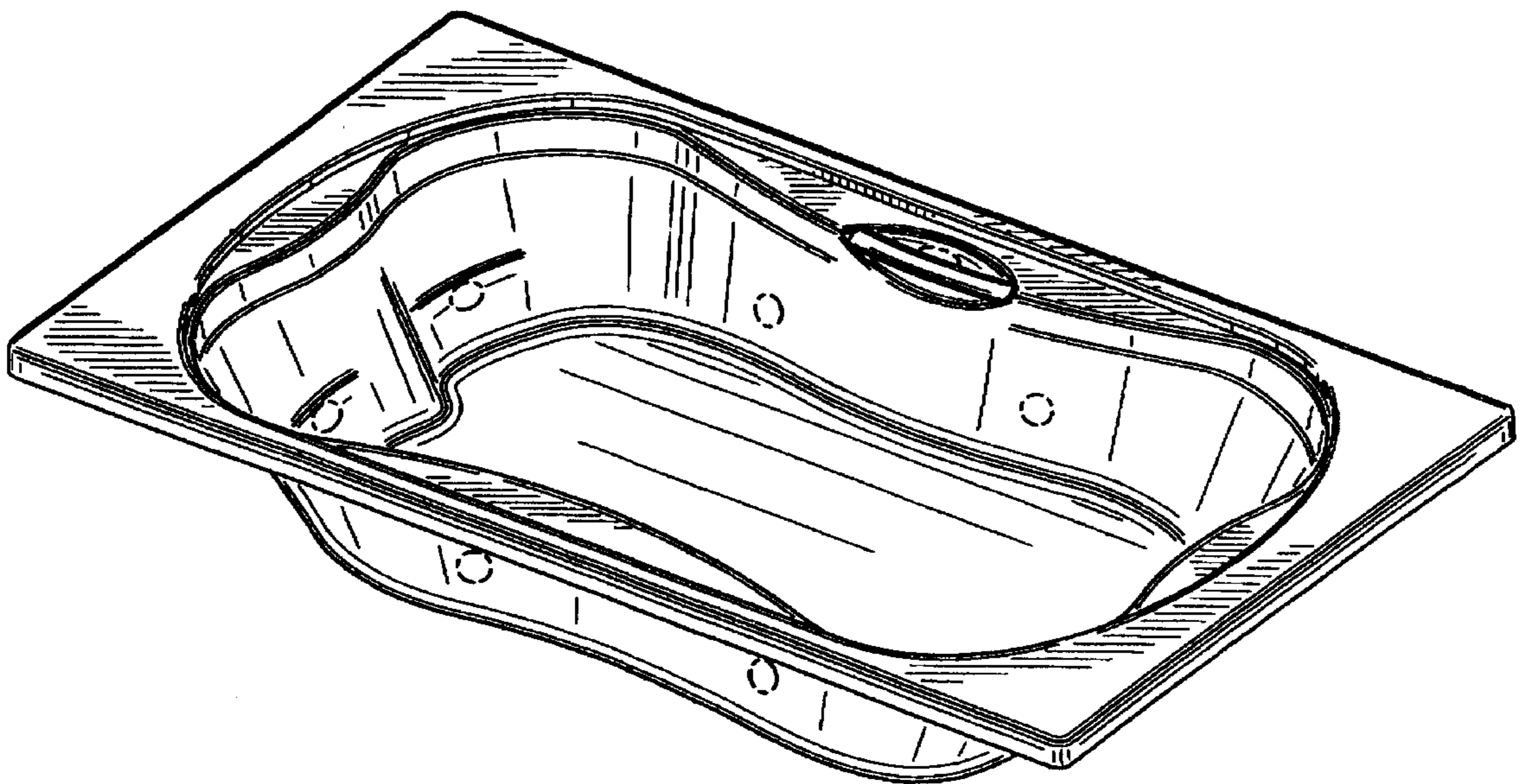
(57) **CLAIM**

The ornamental design for a tub, as shown and described.

**DESCRIPTION**

FIG. 1 is a top right perspective view of a tub showing a first embodiment of my new design;  
 FIG. 2 is a top view thereof;  
 FIG. 3 is a bottom view thereof;  
 FIG. 4 is a front view thereof,  
 FIG. 5 is a back view thereof;  
 FIG. 6 is a right side view thereof, the left side, not shown, is a mirror image of the right side view;  
 FIG. 7 is a sectional view taken along line 7—7 of FIG. 2;  
 FIG. 8 is a sectional view taken along line 8—8 of FIG. 2;  
 FIG. 9 is a top right perspective view showing a second embodiment thereof;  
 FIG. 10 is a top view of the second embodiment thereof;  
 and,  
 FIG. 11 is a bottom view of the second embodiment thereof.  
 The broken line showing of air jet and drain holes is for illustrative purposes only and forms no part of the claimed design.

**1 Claim, 9 Drawing Sheets**



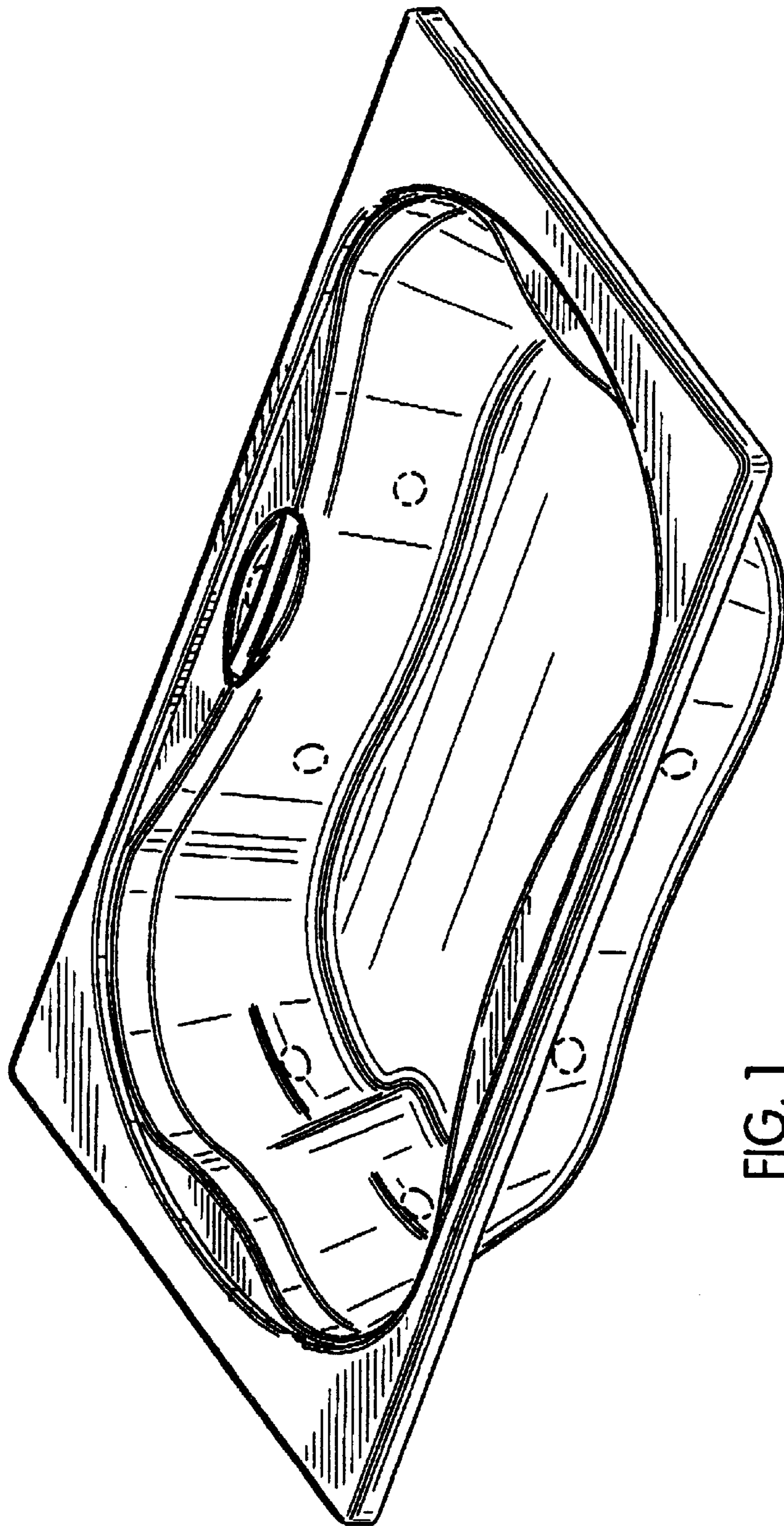


FIG. 1

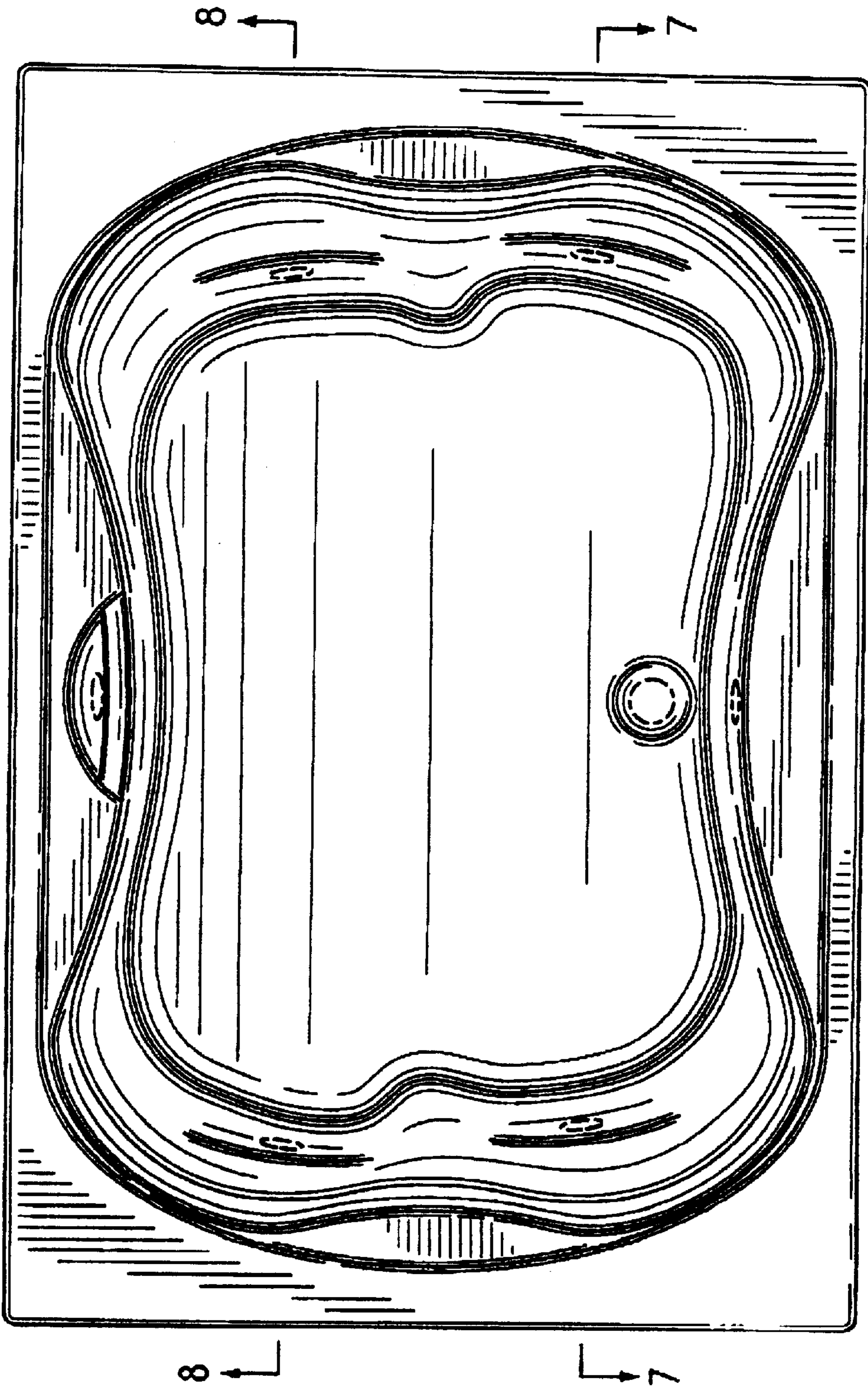


FIG. 2

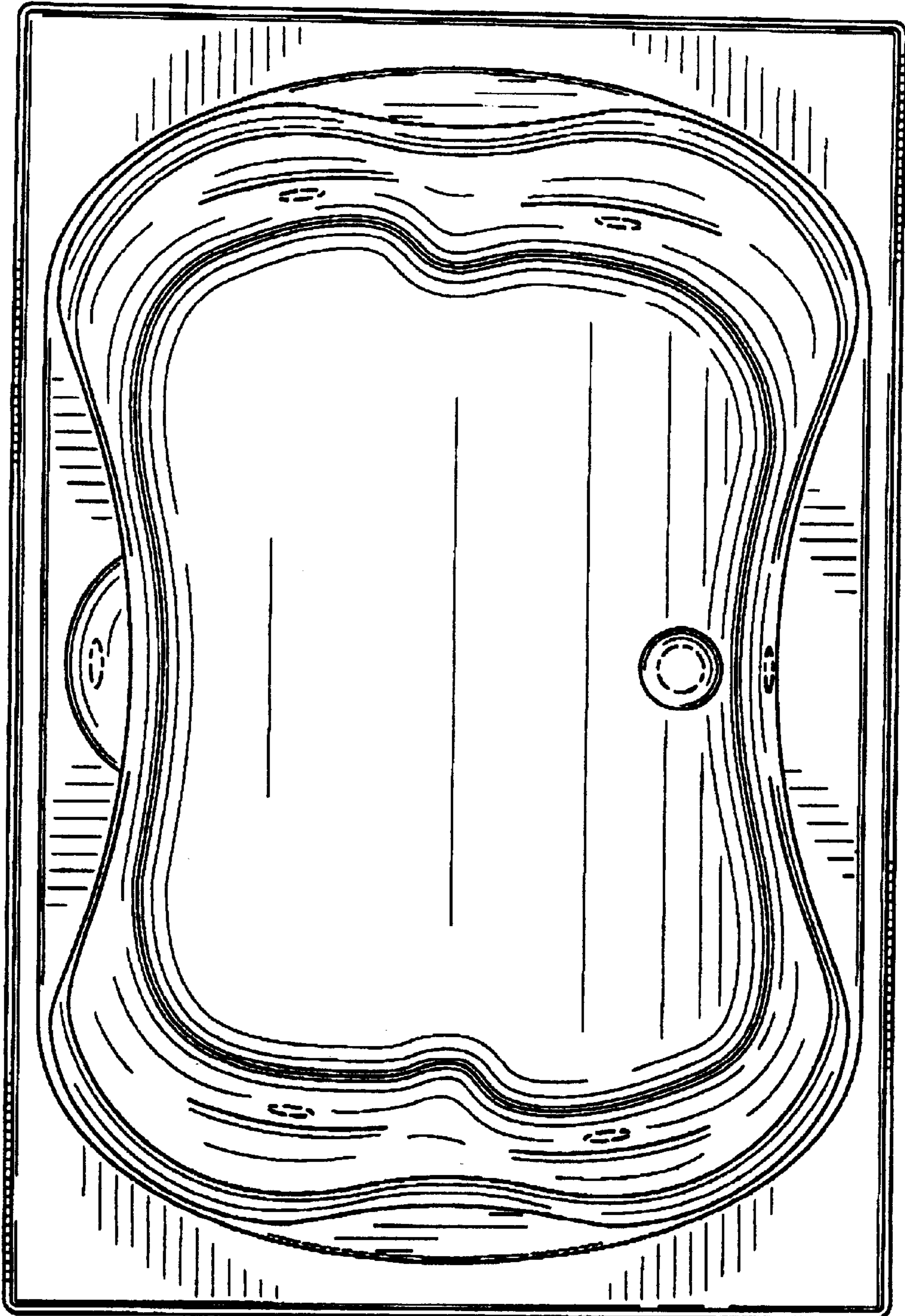


FIG. 3

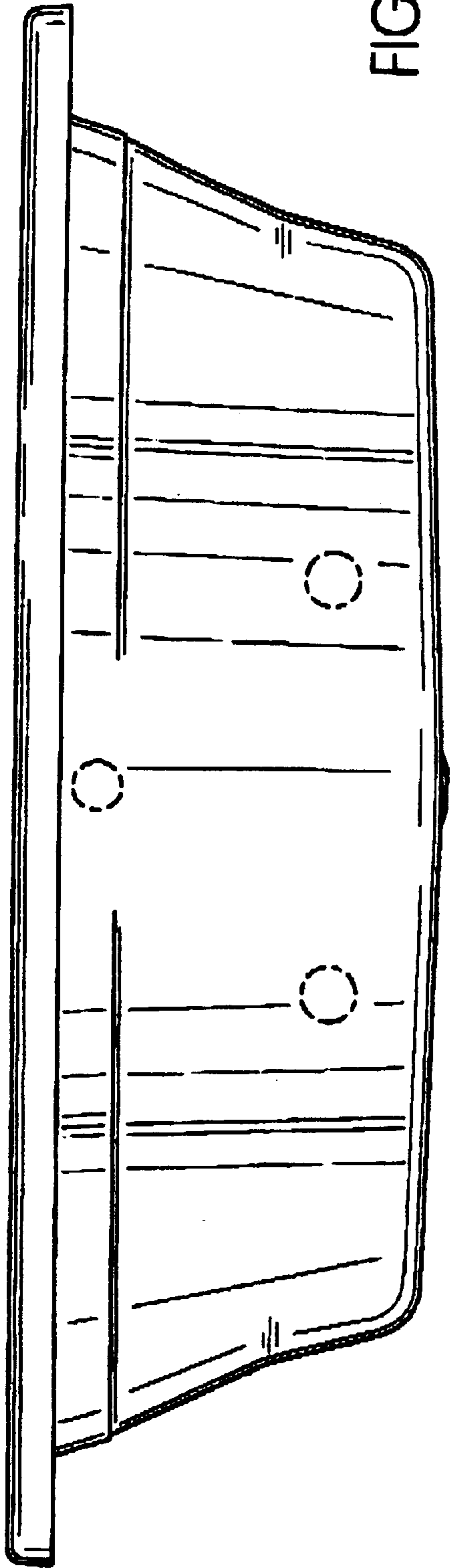


FIG. 4

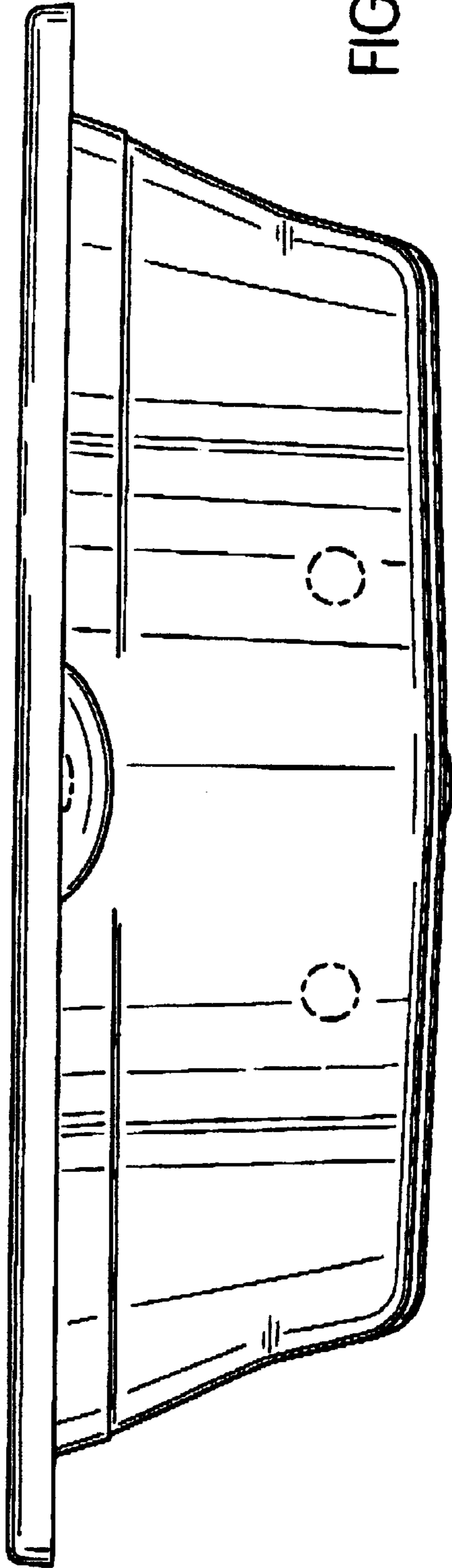


FIG. 5

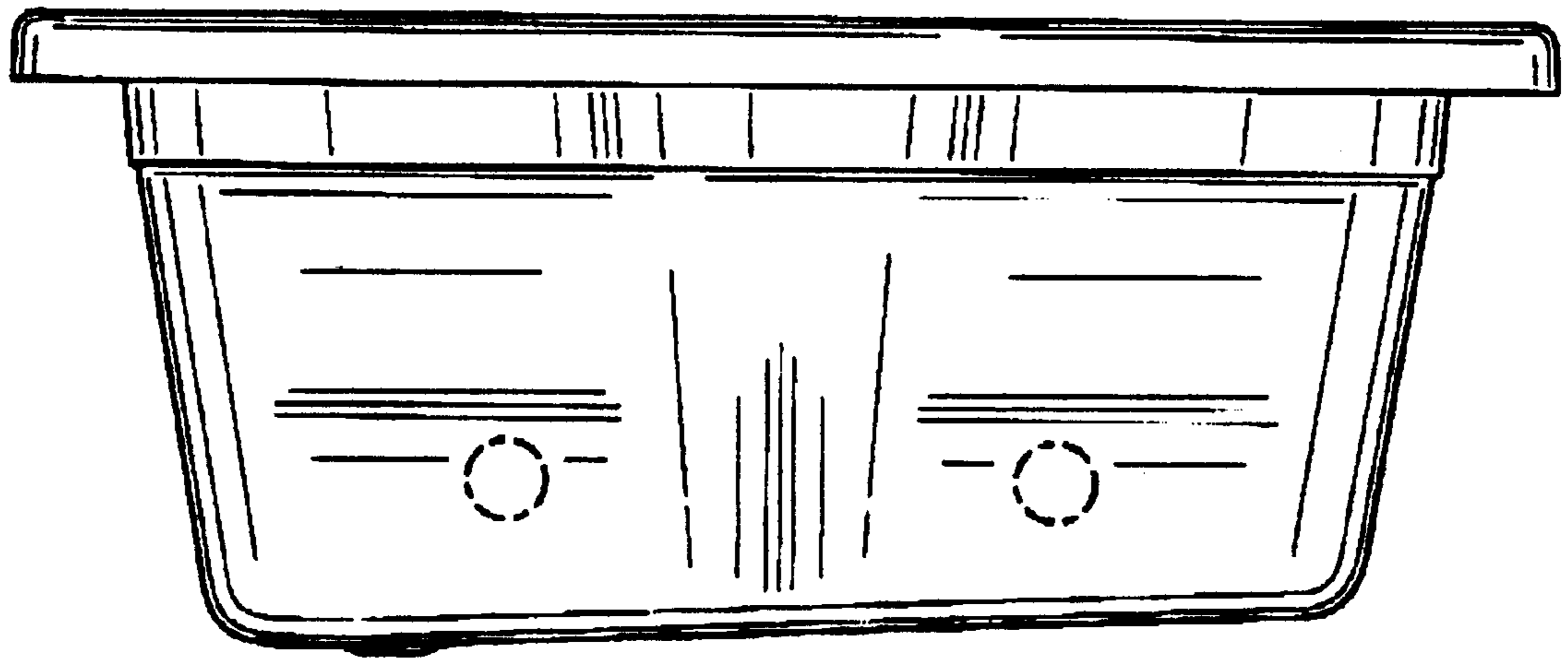


FIG. 6

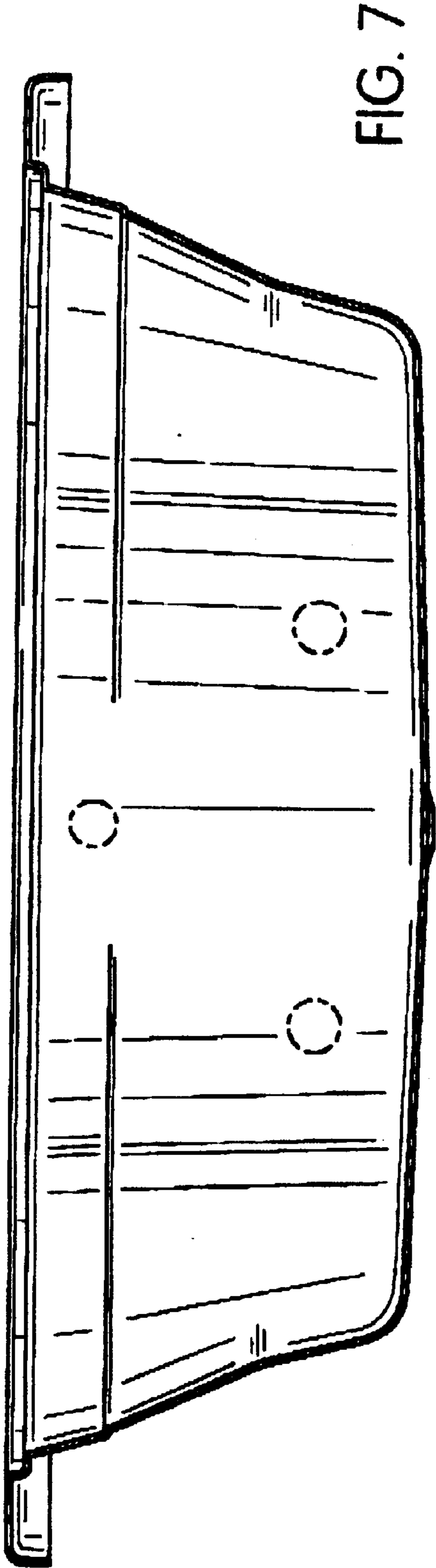


FIG. 7

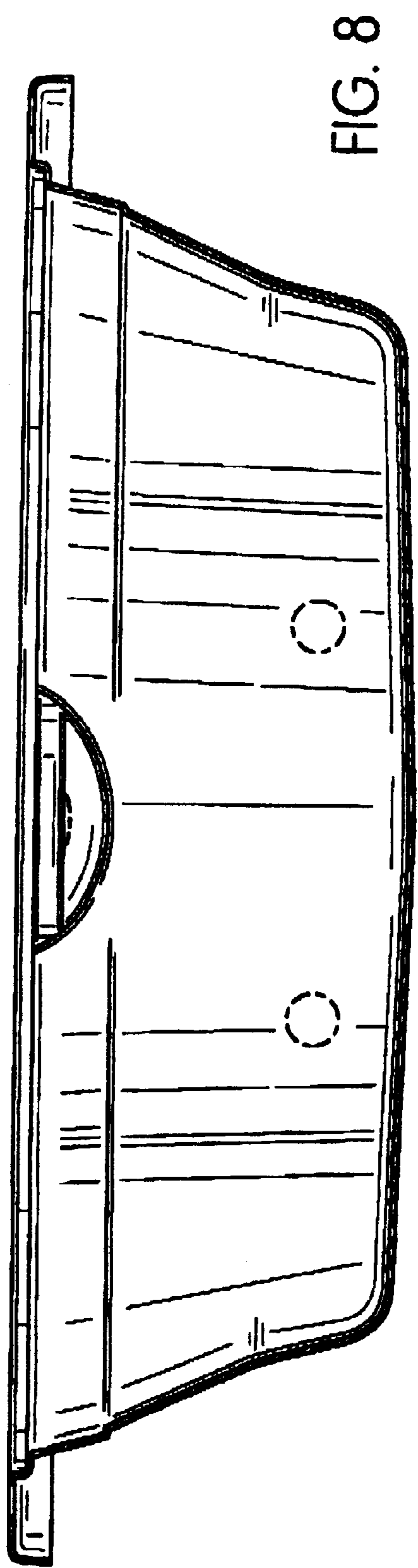


FIG. 8

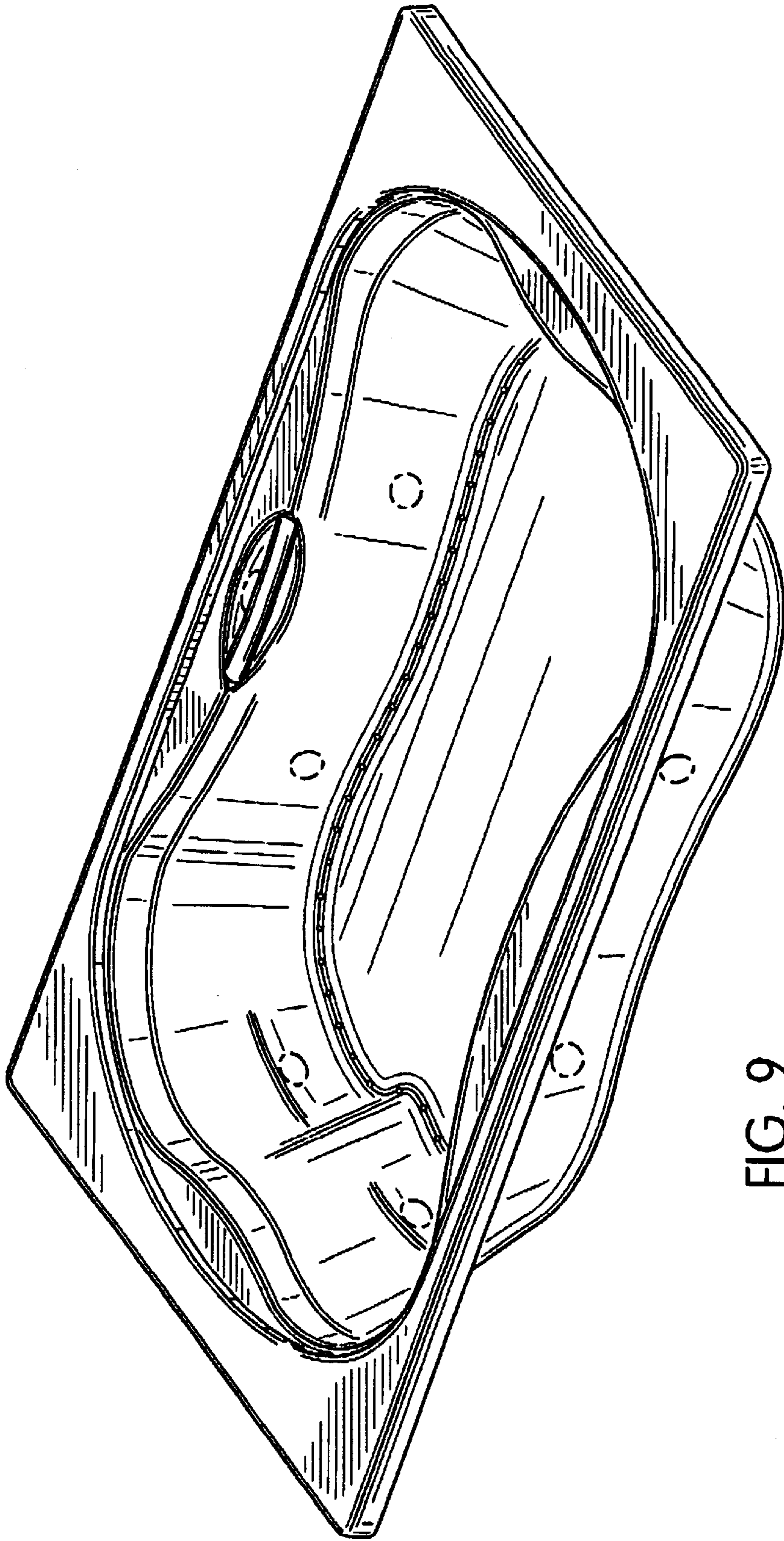


FIG. 9



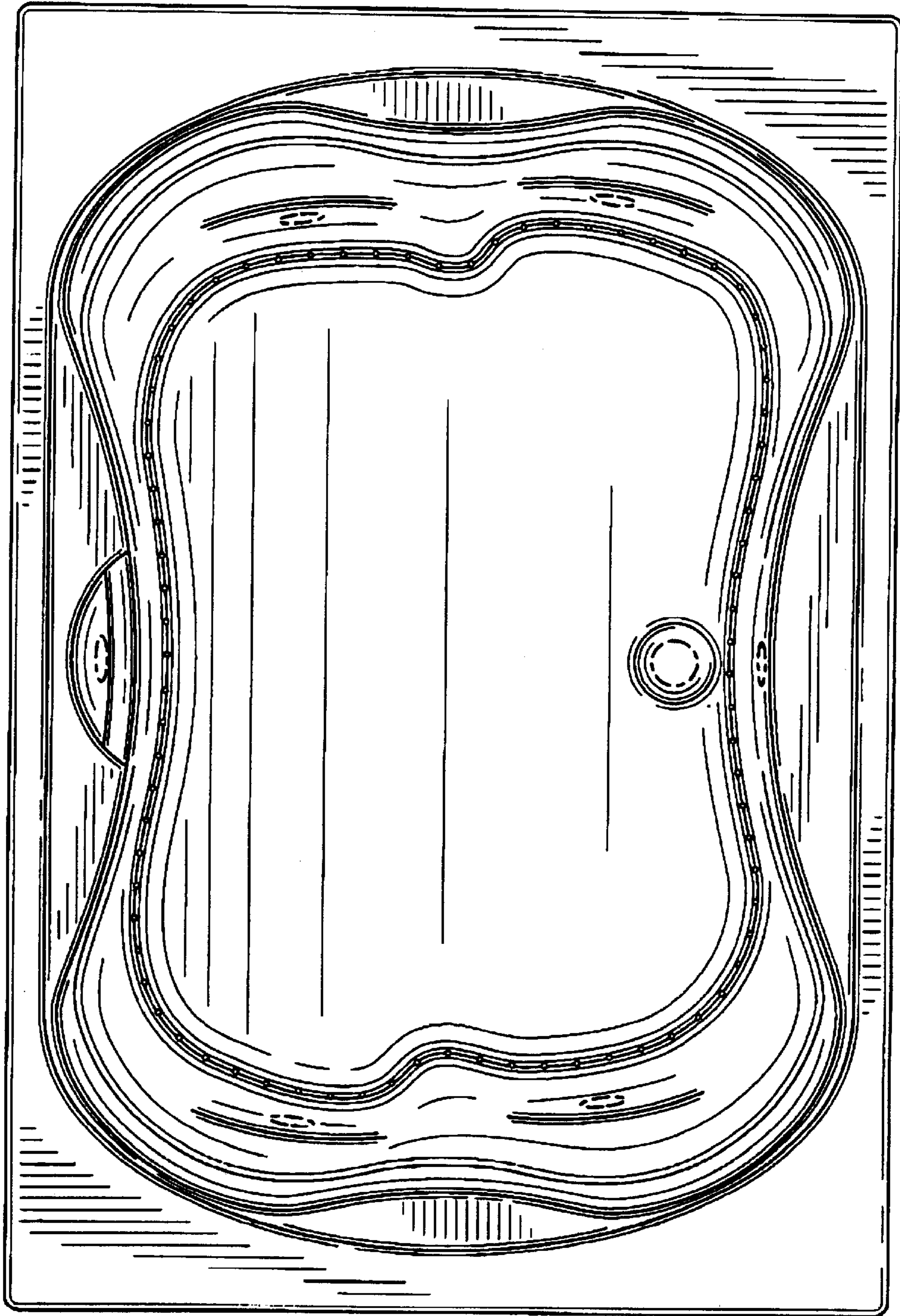


FIG. 10

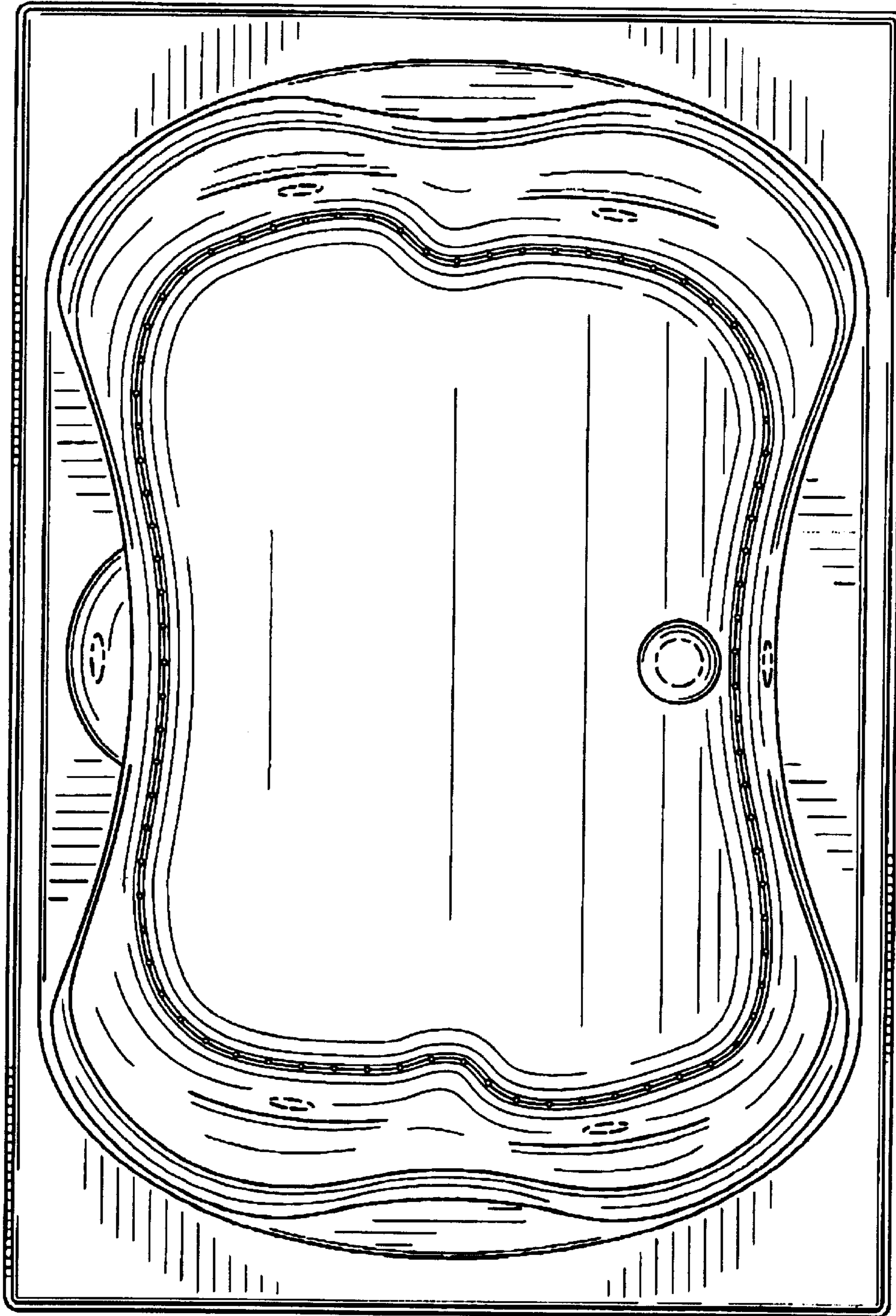


FIG. 11