



US00D441849S

(12) **United States Design Patent**
Plewa vom Berg

(10) **Patent No.:** **US D441,849 S**

(45) **Date of Patent:** **** May 8, 2001**

(54) **HOSE COUPLING ELEMENT**

(75) **Inventor:** **Jens Plewa vom Berg, Hamburg (DE)**

(73) **Assignee:** **Gossler Fluidtec GmbH, Reinbeck (DE)**

(**) **Term:** **14 Years**

(21) **Appl. No.:** **29/126,584**

(22) **Filed:** **Jul. 18, 2000**

(30) **Foreign Application Priority Data**

Jan. 18, 2000 (DE) 4 00 00 455

(51) **LOC (7) Cl.** **23-01**

(52) **U.S. Cl.** **D23/265; D23/266**

(58) **Field of Search** **D23/259, 262, D23/265; D8/382; 403/300; 24/273; 285/33, 80, 84, 242, 312, 358, 417, 420**

(56) **References Cited**

U.S. PATENT DOCUMENTS

D. 142,834 * 11/1945 Campbell D23/265

D. 376,532 * 12/1996 Eslinger D8/382
2,499,476 * 3/1950 Eyerly D23/265
4,691,942 * 9/1987 Ford 285/84
5,709,414 * 1/1998 Bailey et al. 285/242

* cited by examiner

Primary Examiner—Robin V. Taylor

(74) *Attorney, Agent, or Firm*—Cobrin & Gittes

(57) **CLAIM**

The ornamental design for a hose coupling element, as shown and described.

DESCRIPTION

FIG. 1 is a front perspective view of a hose coupling element in accordance with the embodiment of the invention;

FIG. 2 is a front view thereof;

FIG. 3 is a right side view thereof;

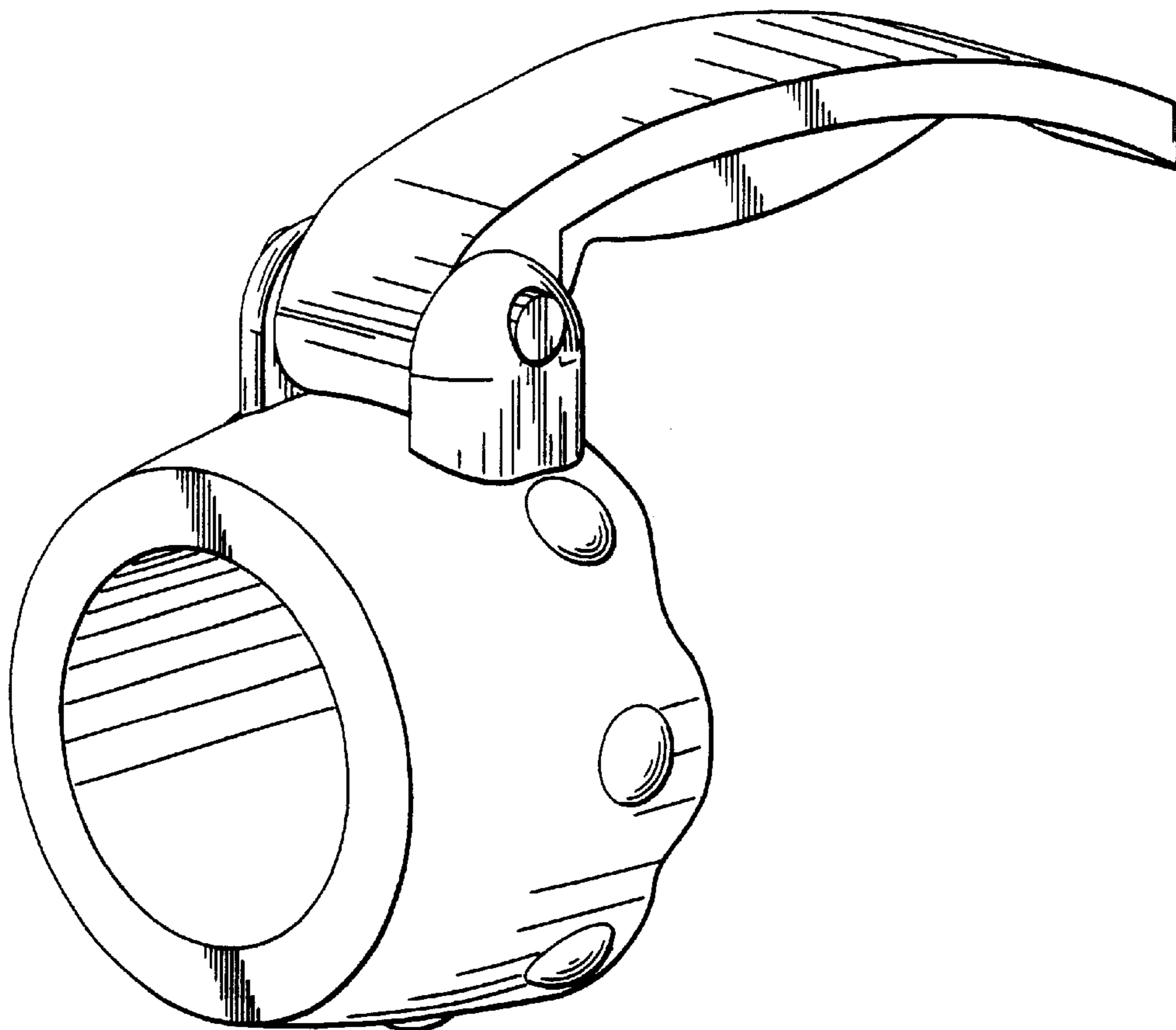
FIG. 4 is a rear view thereof;

FIG. 5 is a left side view thereof;

FIG. 6 is a top view thereof; and,

FIG. 7 is a bottom view thereof.

1 Claim, 4 Drawing Sheets



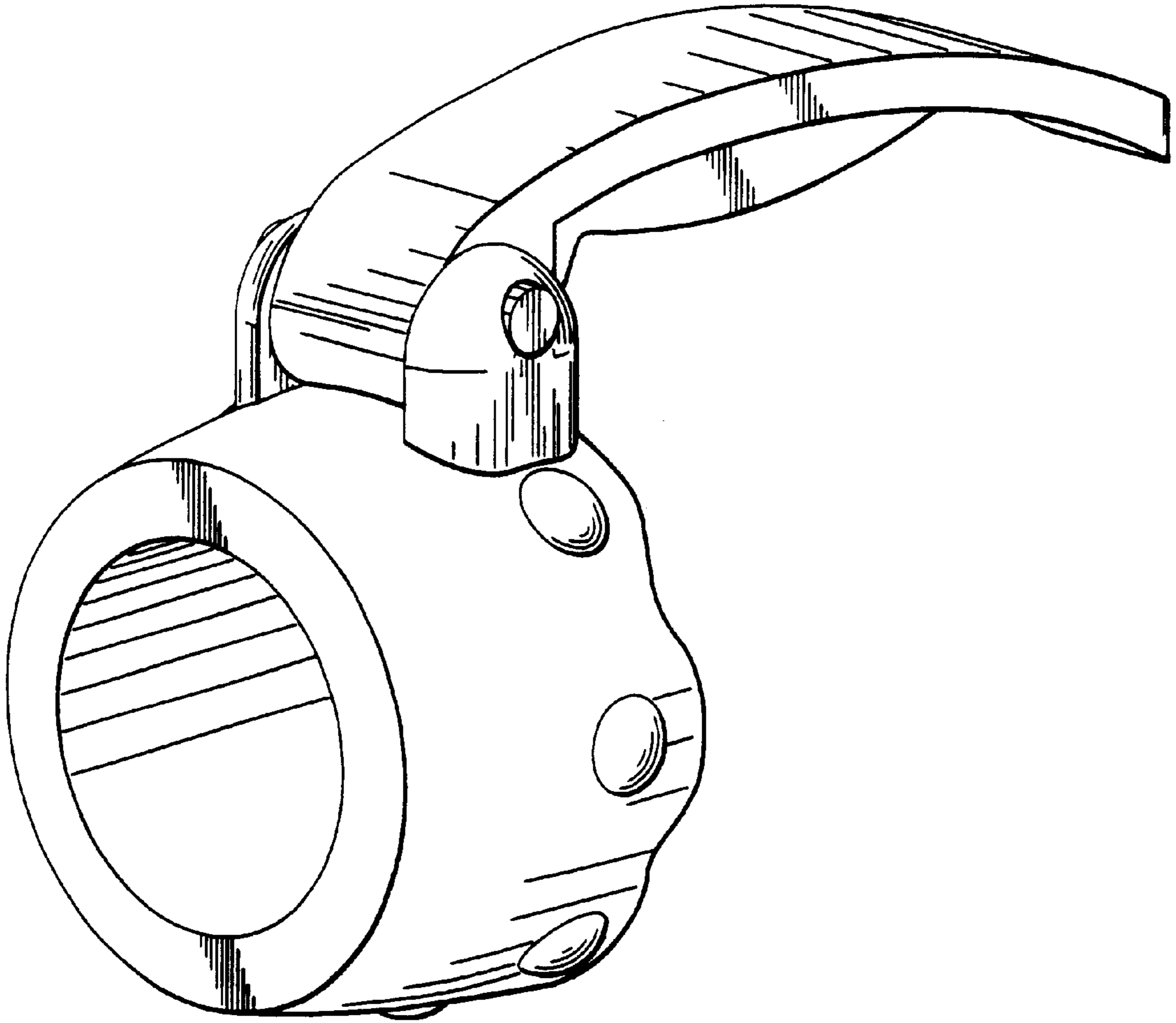


FIG 1

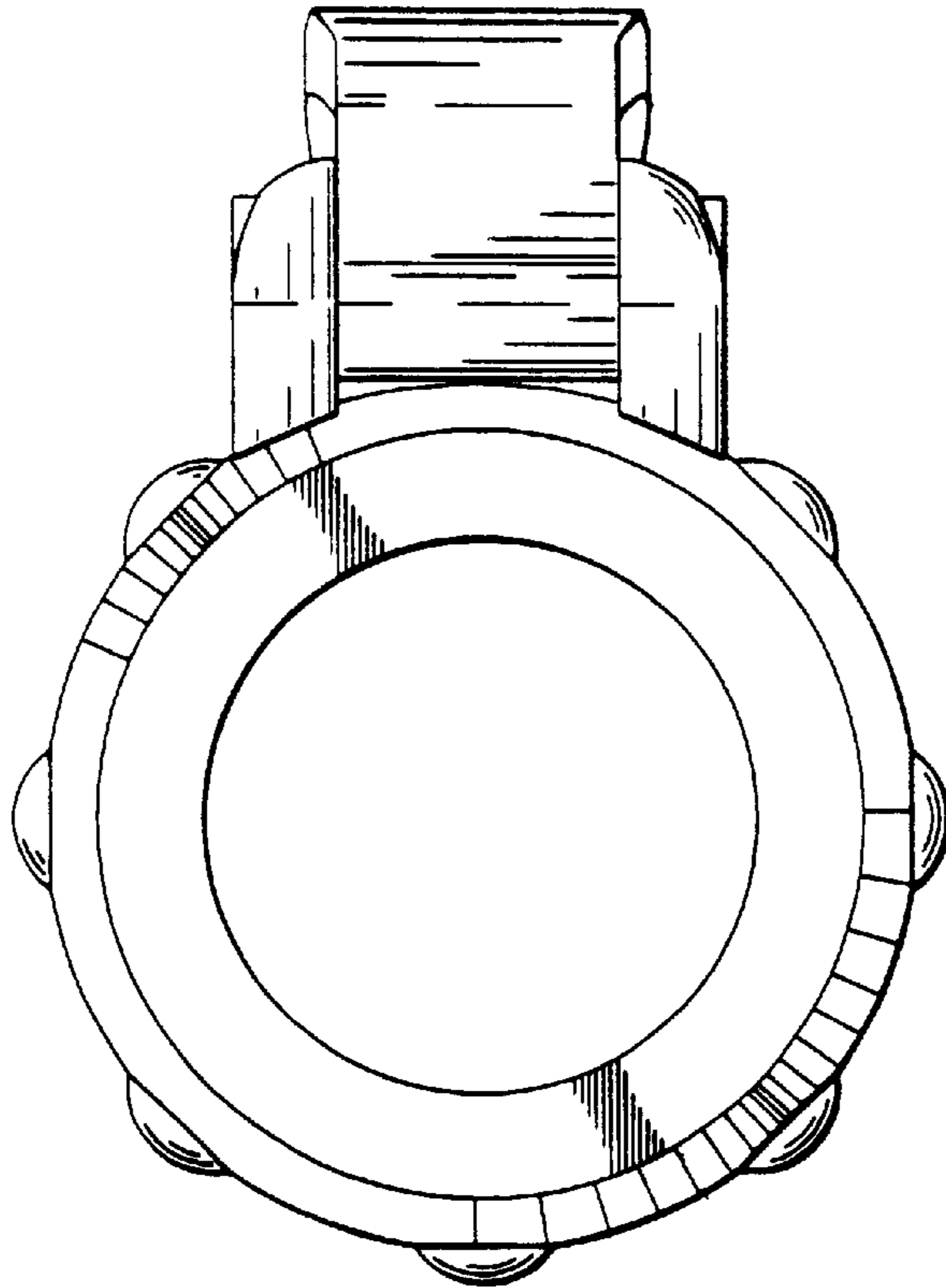


FIG 2

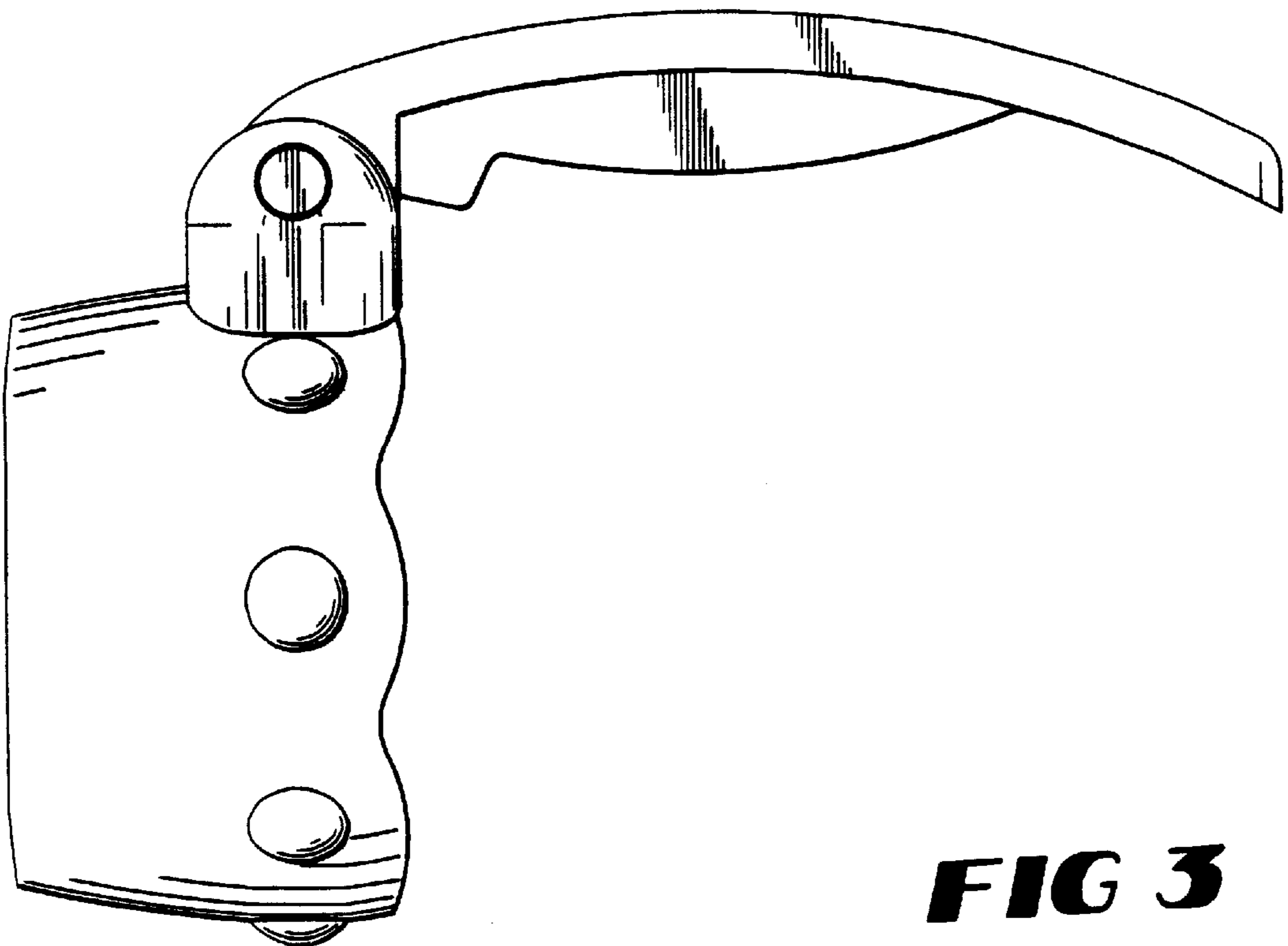


FIG 3

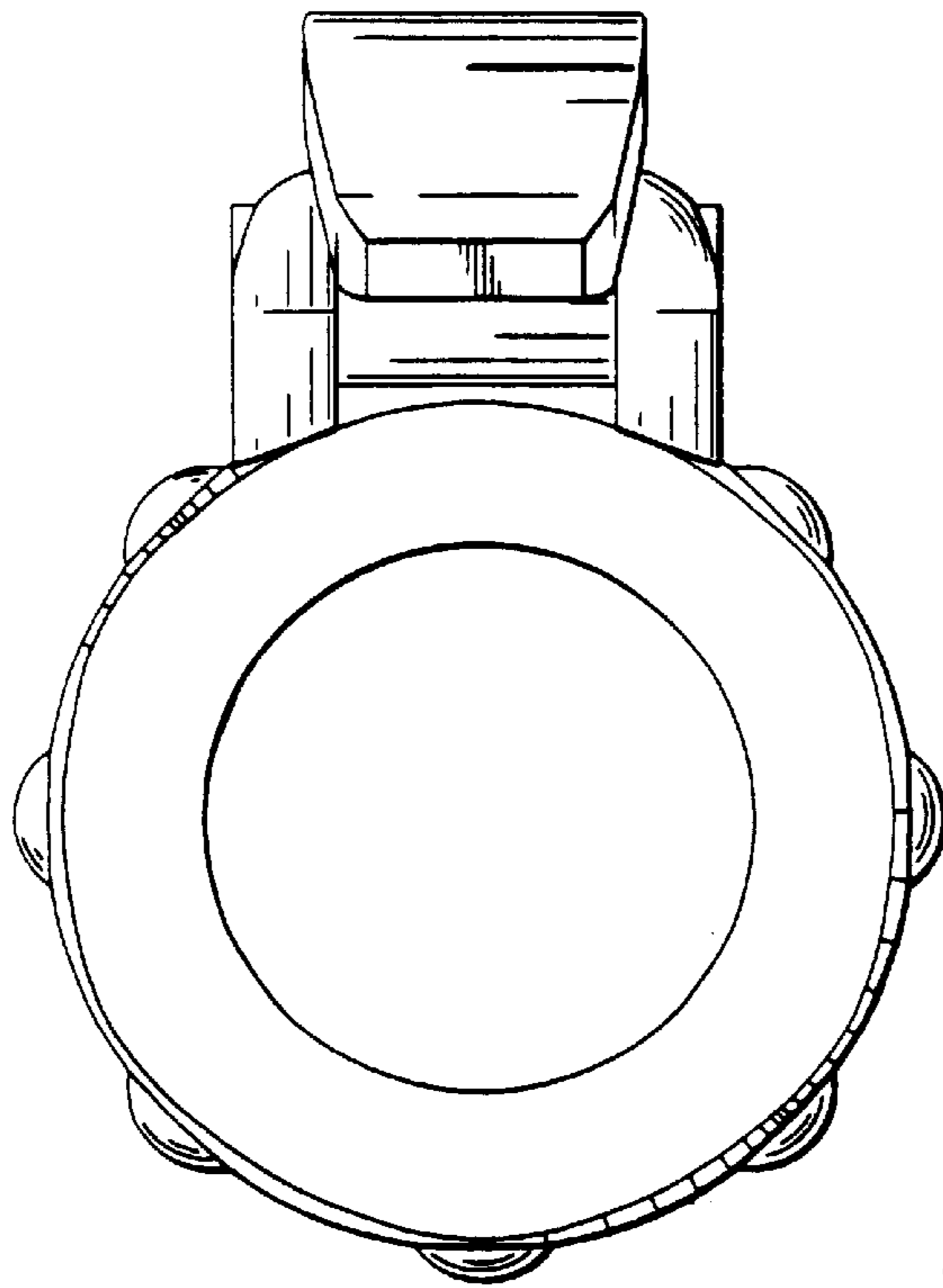


FIG 4

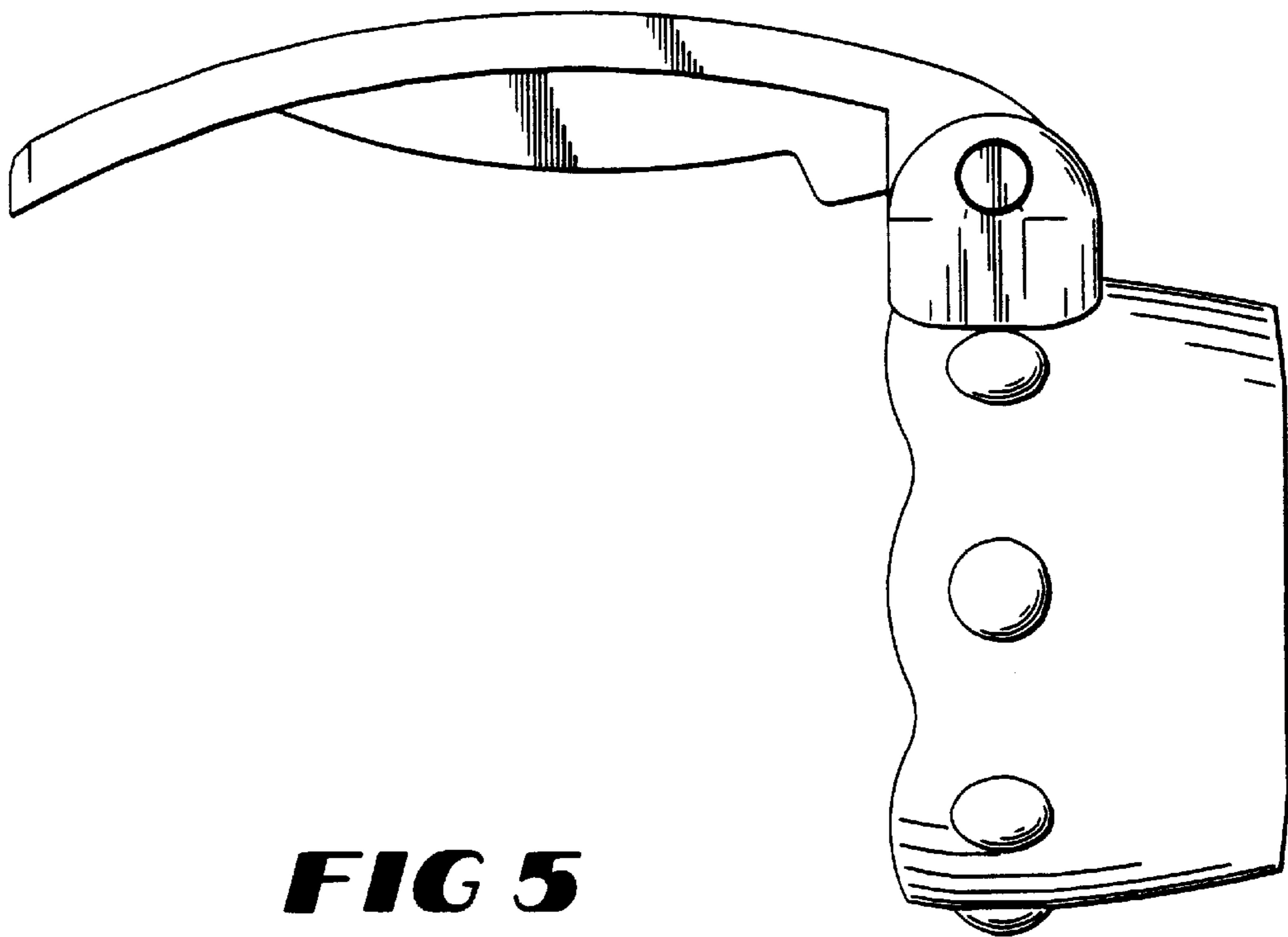


FIG 5

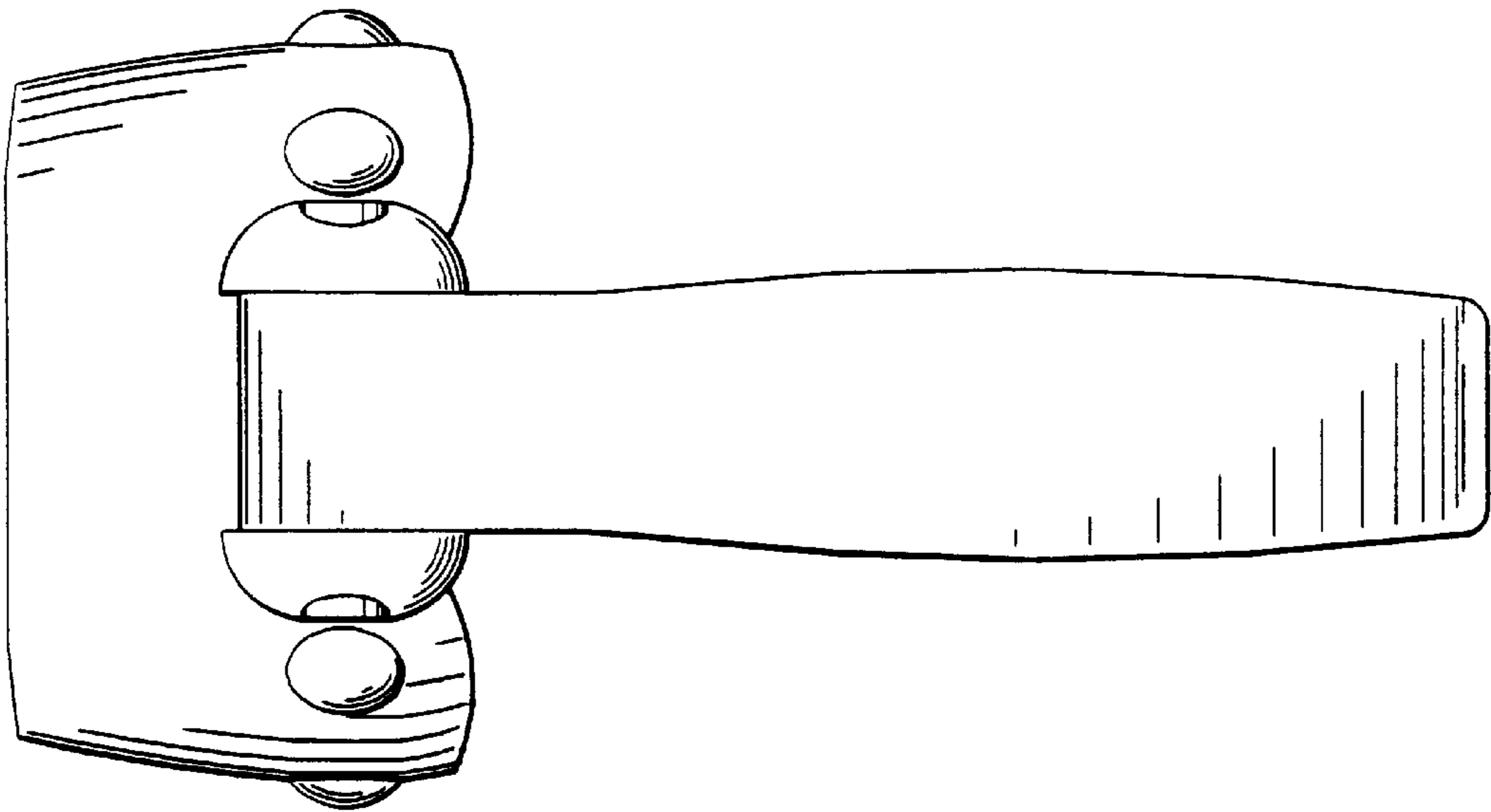


FIG 6

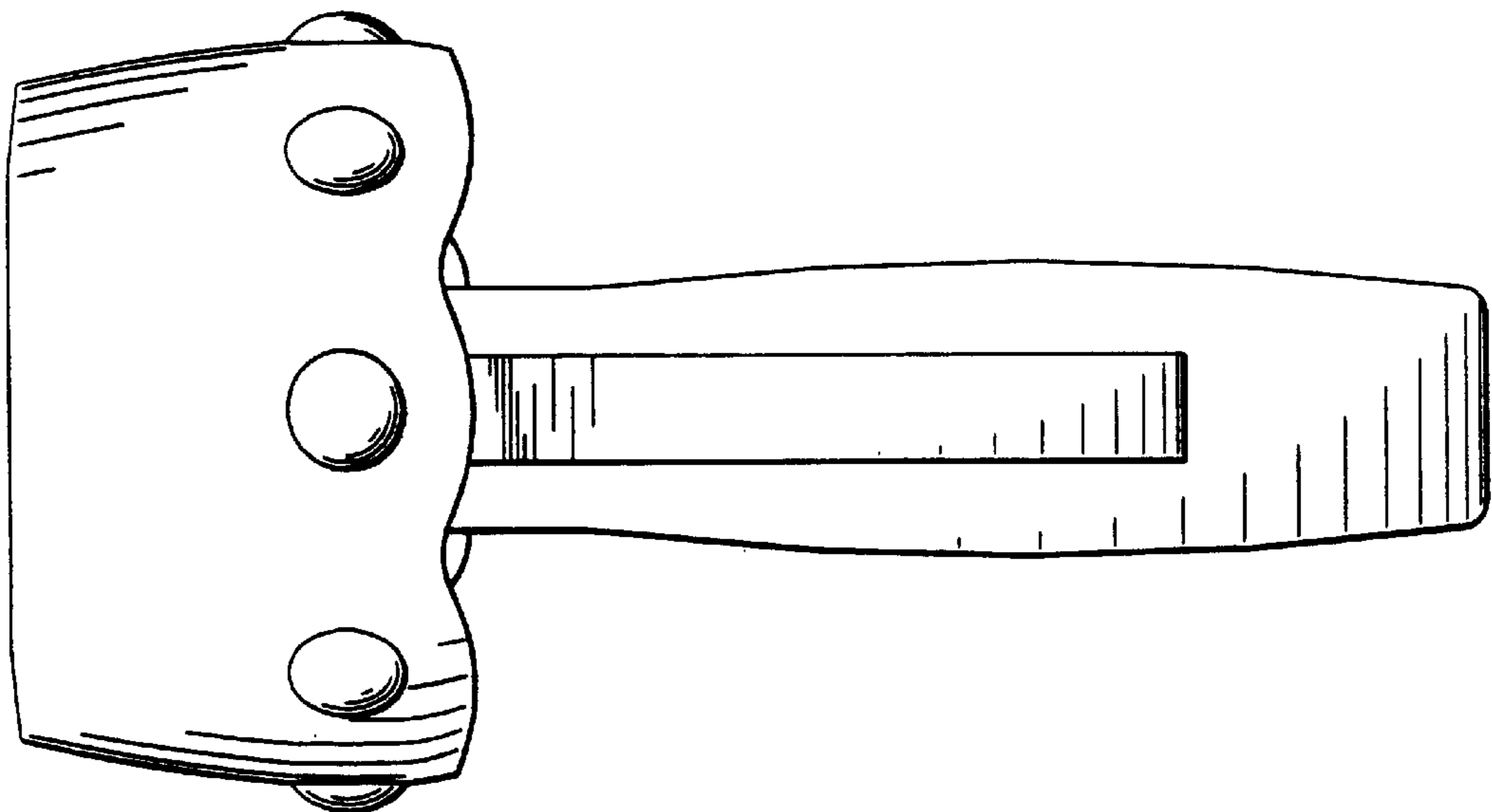


FIG 7