



US00D441848S

(12) **United States Design Patent**
Huang

(10) **Patent No.:** **US D441,848 S**

(45) **Date of Patent:** **** May 8, 2001**

(54) **GARBAGE COLLECTING BASKET FOR SINK**

5,535,455 * 7/1996 Liu 4/287
6,058,526 * 5/2000 Parisi et al. 4/287
6,108,828 * 8/2000 Cheng 4/287

(75) **Inventor:** **Lin Chuan Huang**, Taichung (TW)

* cited by examiner

(73) **Assignee:** **TWI International Taiwan, Inc.**,
Taichung (TW)

Primary Examiner—Robin V. Taylor
(74) *Attorney, Agent, or Firm*—Charles E. Baxley

(**) **Term:** **14 Years**

(57) **CLAIM**

(21) **Appl. No.:** **29/120,398**

The ornamental design for a garbage collecting basket for sink, as shown and described.

(22) **Filed:** **Mar. 20, 2000**

DESCRIPTION

(51) **LOC (7) Cl.** **23-01**

(52) **U.S. Cl.** **D23/261**

(58) **Field of Search** D23/260, 261;
4/286, 287, 292-3, 679, 681, 290

FIG. 1 is a front elevational view of a garbage collecting basket for sink showing my new design; the rear elevational view being identical to that shown;

FIG. 2 is a left side elevational view thereof; the right side elevational view being identical to that shown:

FIG. 3 is a top plan view thereof;

FIG. 4 is a down plan view thereof; and,

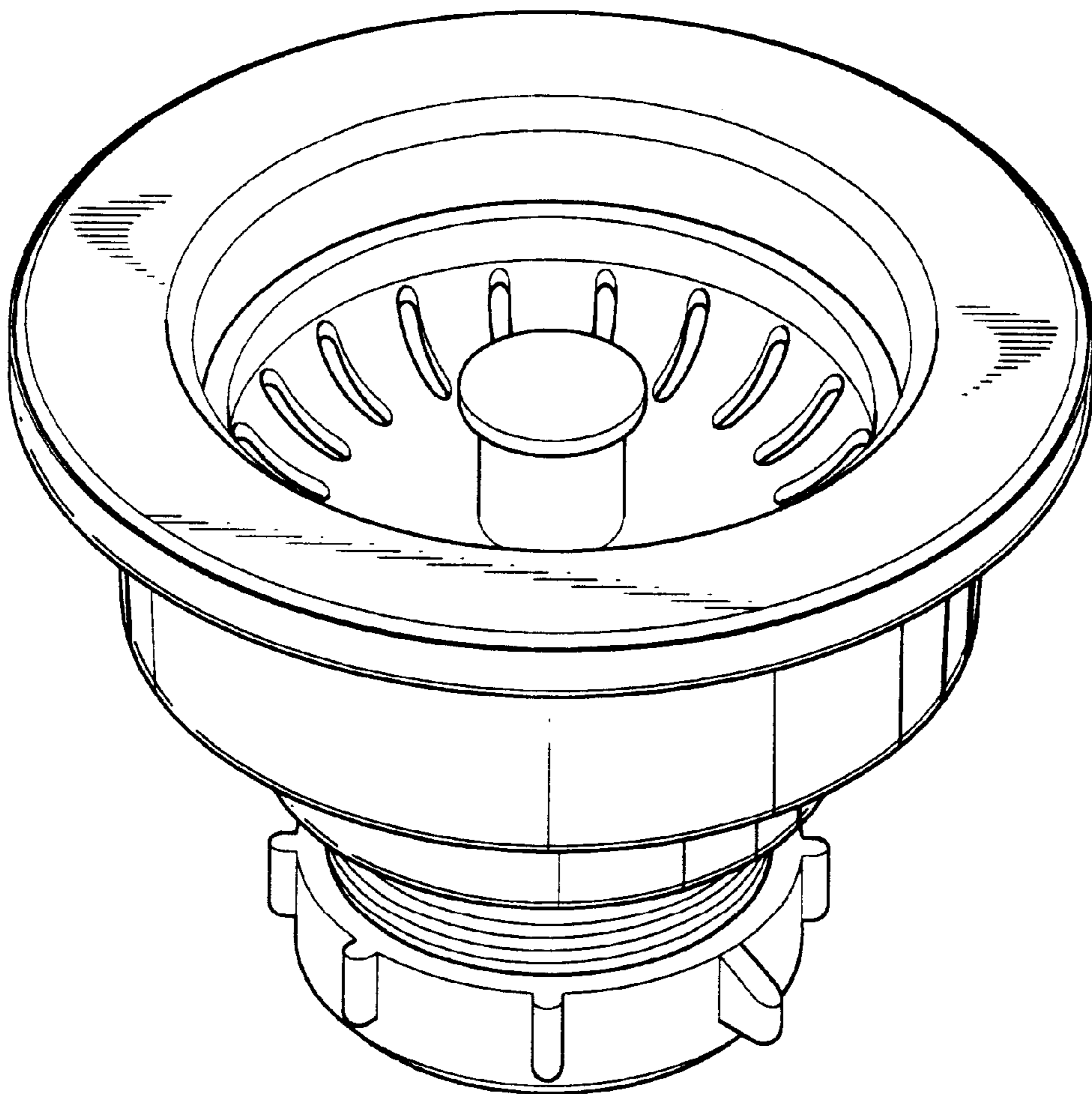
FIG. 5 is a perspective view thereof.

(56) **References Cited**

U.S. PATENT DOCUMENTS

3,800,339 * 4/1974 Bergin 4/287
4,320,540 * 3/1982 Leavens 4/287

1 Claim, 5 Drawing Sheets



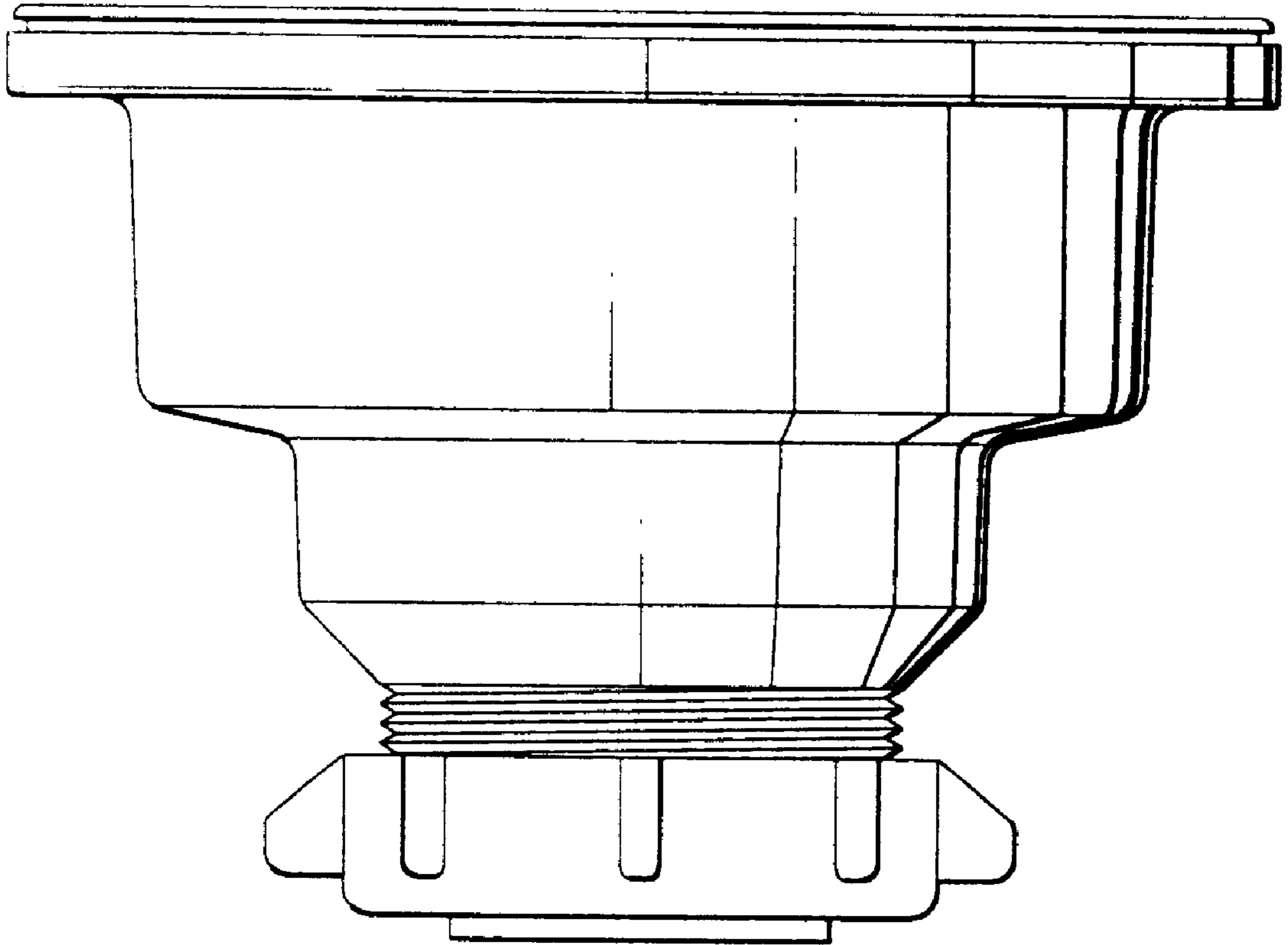


FIG. 1

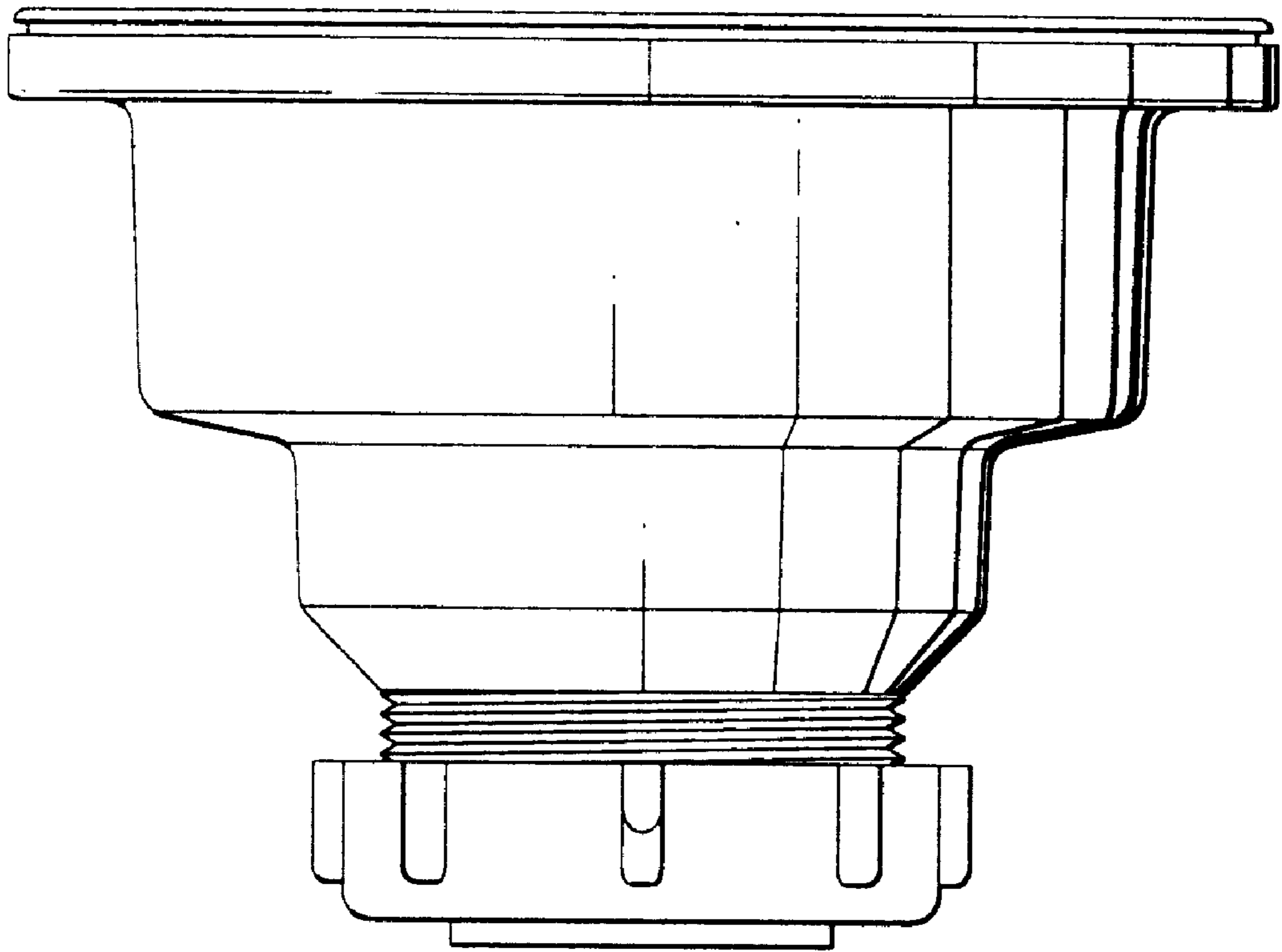


FIG. 2

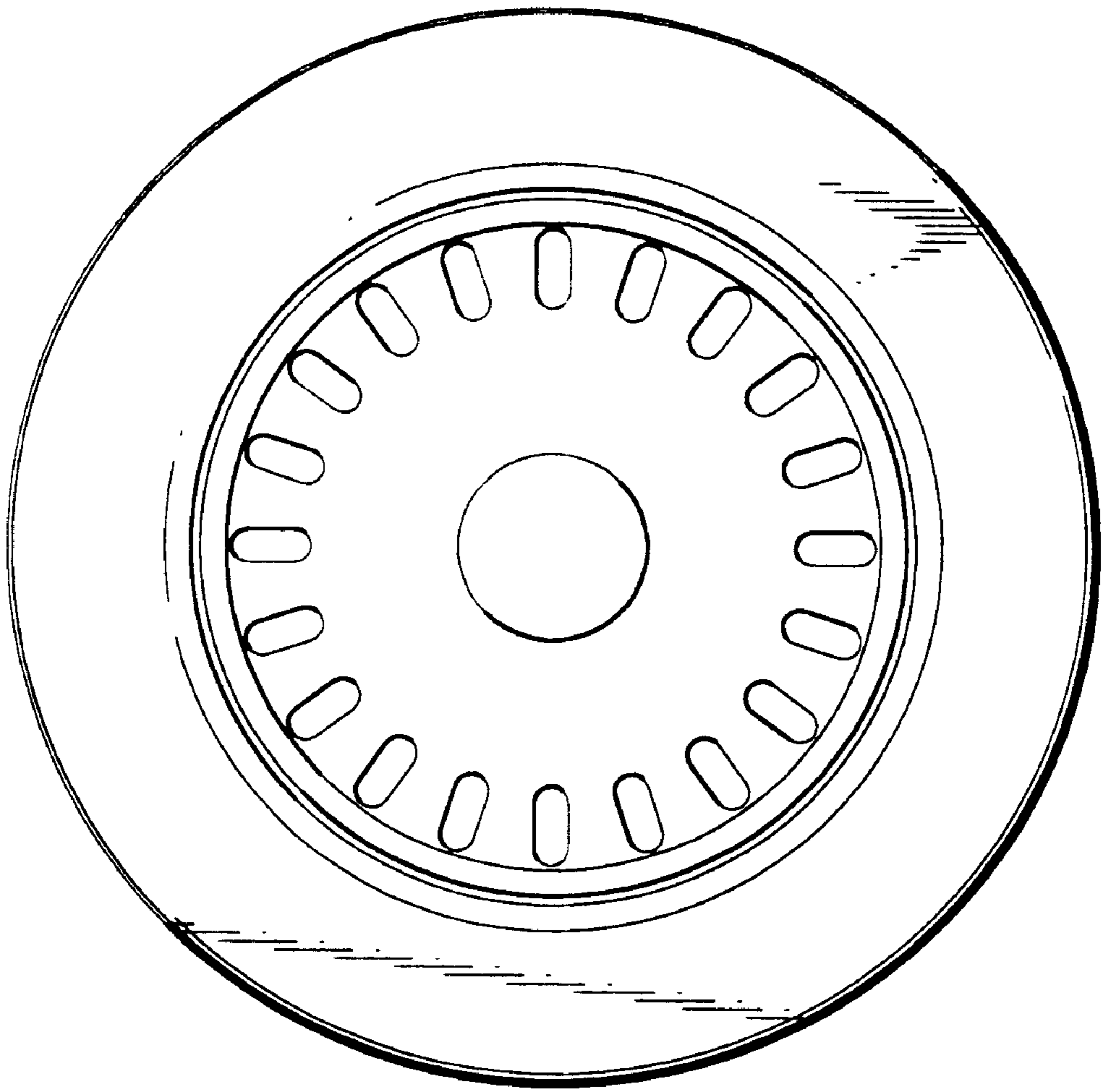


FIG. 3

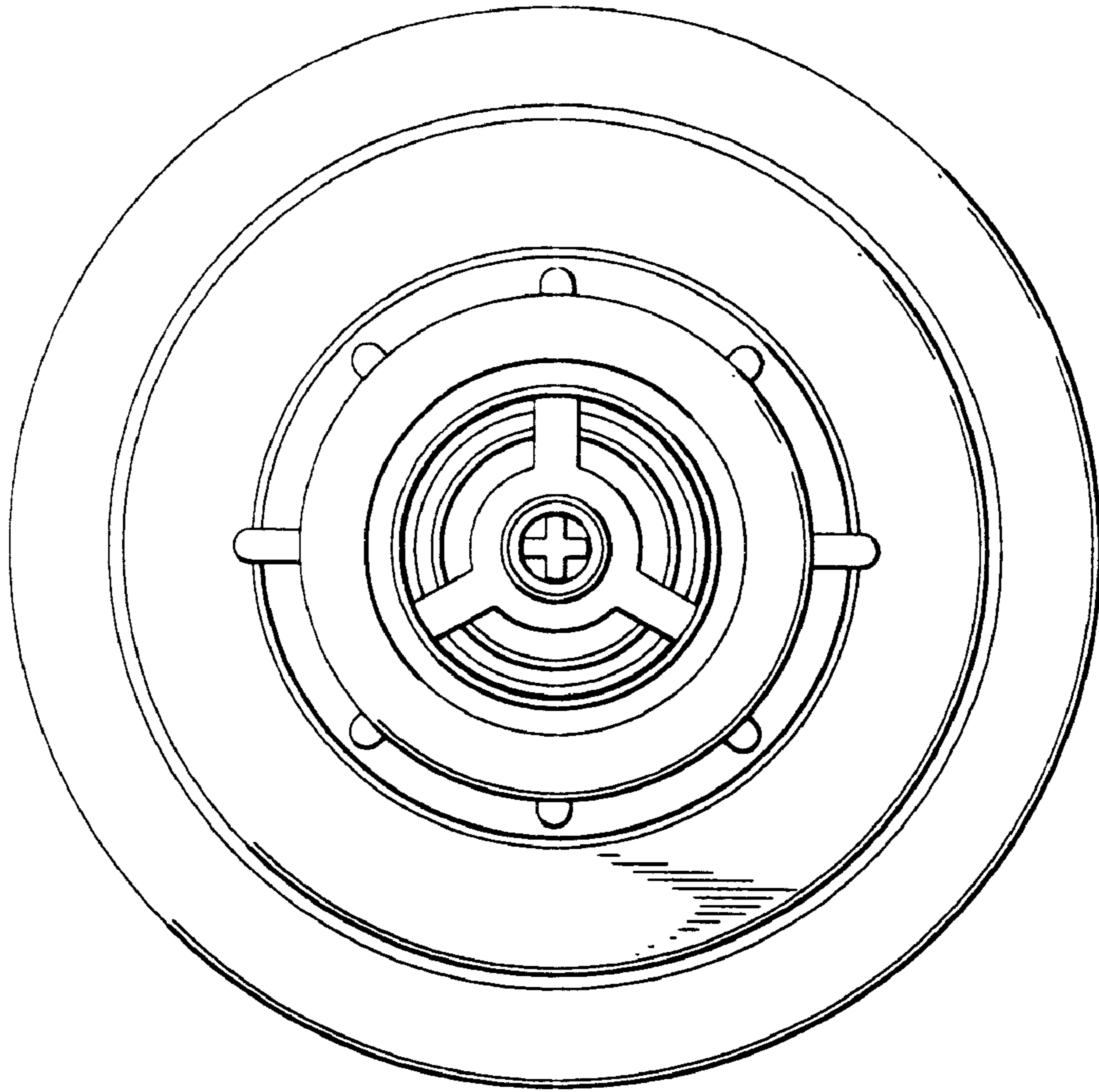


FIG. 4

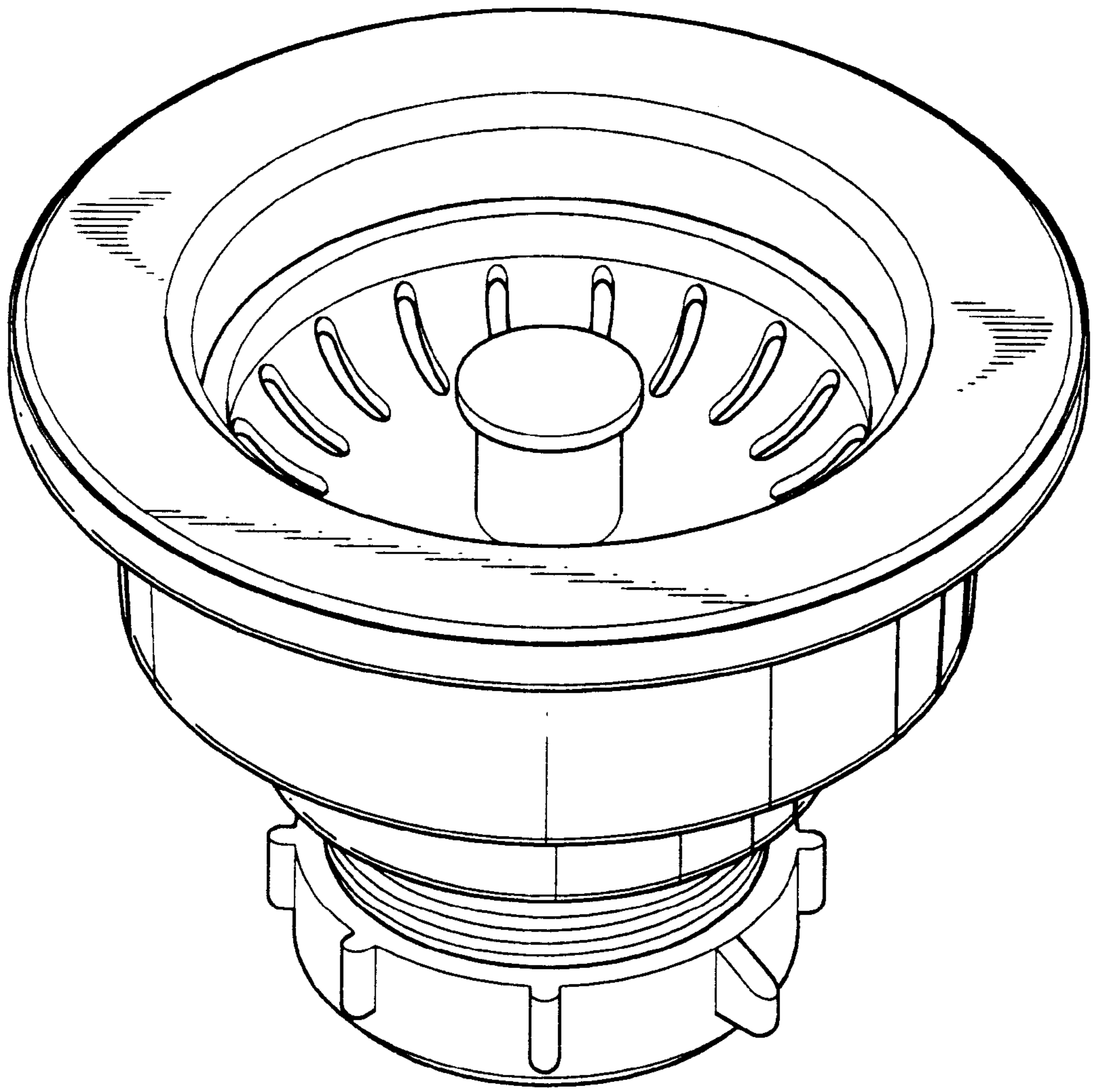


FIG. 5