



US00D441846S

(12) **United States Design Patent**
Müllenmeister

(10) **Patent No.:** **US D441,846 S**

(45) **Date of Patent:** **** May 8, 2001**

(54) **WALL-MOUNTED SHOWER AND TUB CONTROL**

(75) Inventor: **Daniel Müllenmeister**, Havixbeck (DE)

(73) Assignee: **Friedrich Grohe AG & Co. KG**, Hemer (DE)

(**) Term: **14 Years**

(21) Appl. No.: **29/132,879**

(22) Filed: **Nov. 16, 2000**

(30) **Foreign Application Priority Data**

Jun. 22, 2000 (DE) 4 00 05 887

(51) **LOC (7) Cl.** **23-01**

(52) **U.S. Cl.** **D23/254**

(58) **Field of Search** D23/238-243,
D23/245, 249-257; D8/300-310, 350-354;
4/675-678; 16/110 R-121; 137/801

(56) **References Cited**

U.S. PATENT DOCUMENTS

D. 363,765 * 10/1995 Starck D23/254

D. 409,290 * 5/1999 Gottwald D23/254

D. 412,359 * 7/1999 Lobermeier D23/254

D. 413,655 * 9/1999 Gottwald D23/254

D. 419,221 * 1/2000 Lobermeier D23/254

* cited by examiner

Primary Examiner—Louis S. Zarfaz

Assistant Examiner—Gregory Andoll

(74) *Attorney, Agent, or Firm*—Herbert Dubno

(57) **CLAIM**

The ornamental design for a wall-mounted shower and tub control, as shown and described.

DESCRIPTION

FIG. 1 is a top, front, left-side perspective view of a wall-mounted shower and tub control showing my new design;

FIG. 2 is a bottom plan view thereof;

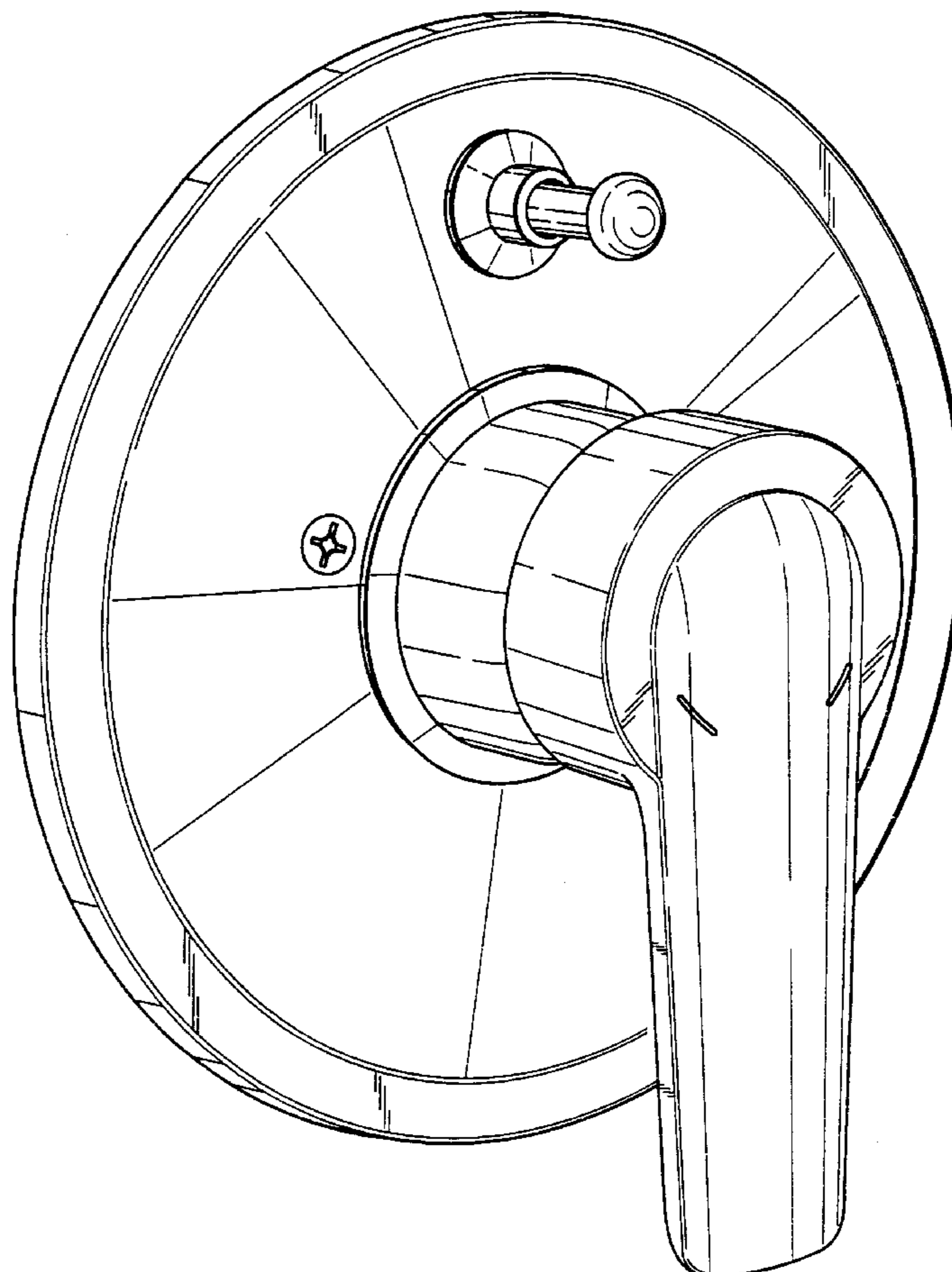
FIG. 3 is a left side elevational view thereof, the right side elevational view being mirror symmetrical thereto;

FIG. 4 is a front elevational view thereof;

FIG. 5 is a top plan view thereof; and,

FIG. 6 is a rear elevational view thereof.

1 Claim, 3 Drawing Sheets



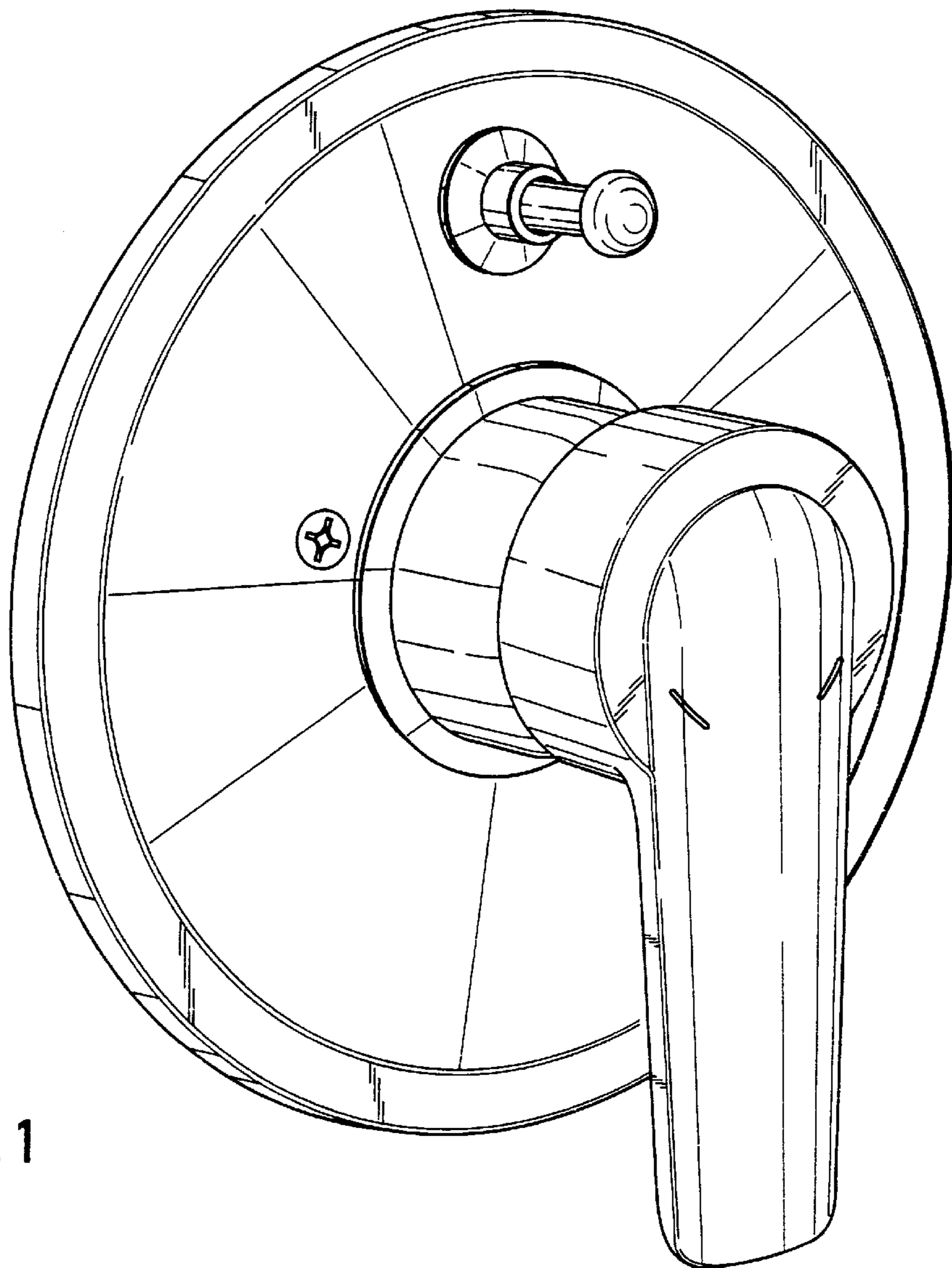


FIG. 1

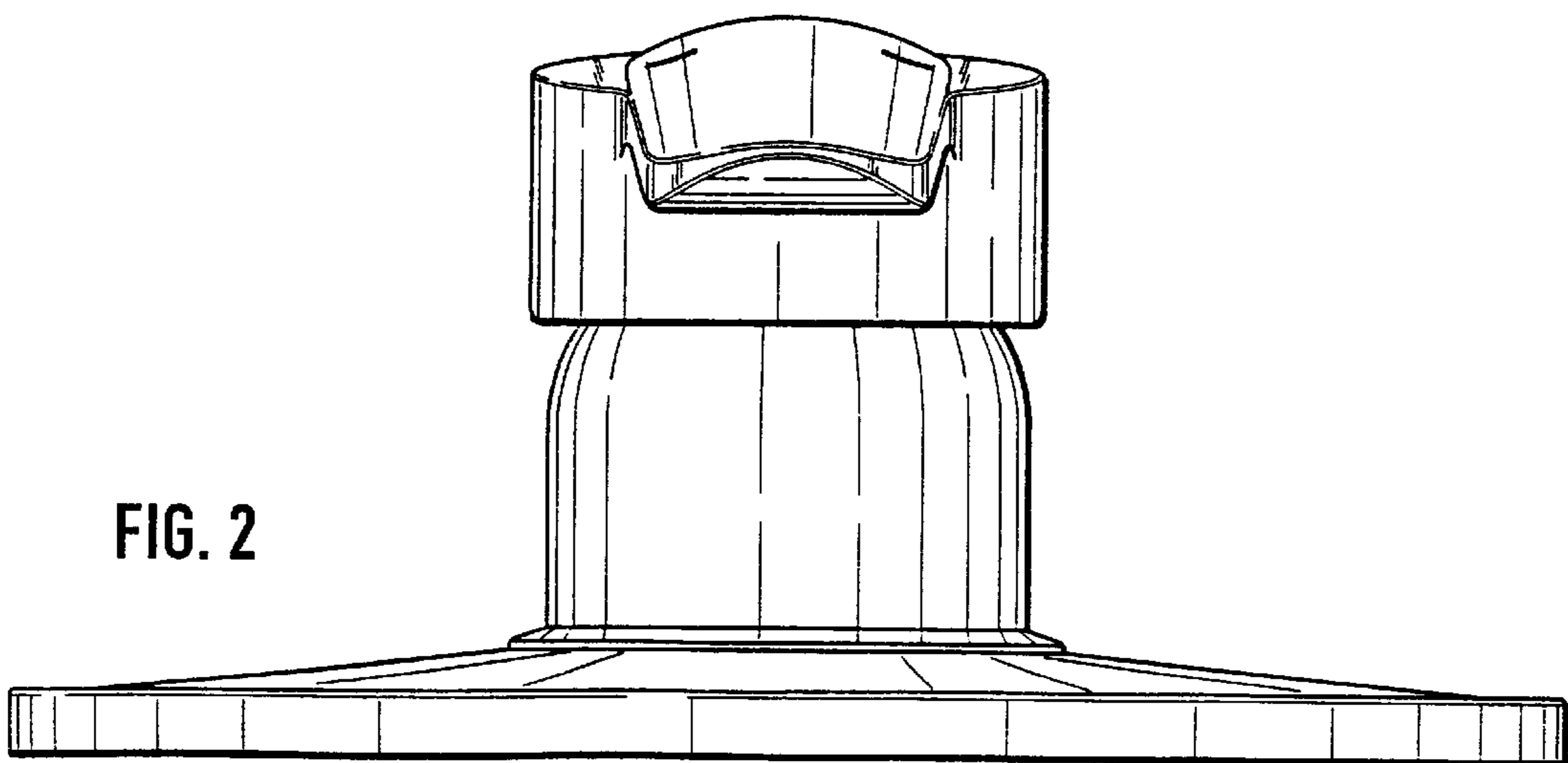


FIG. 2

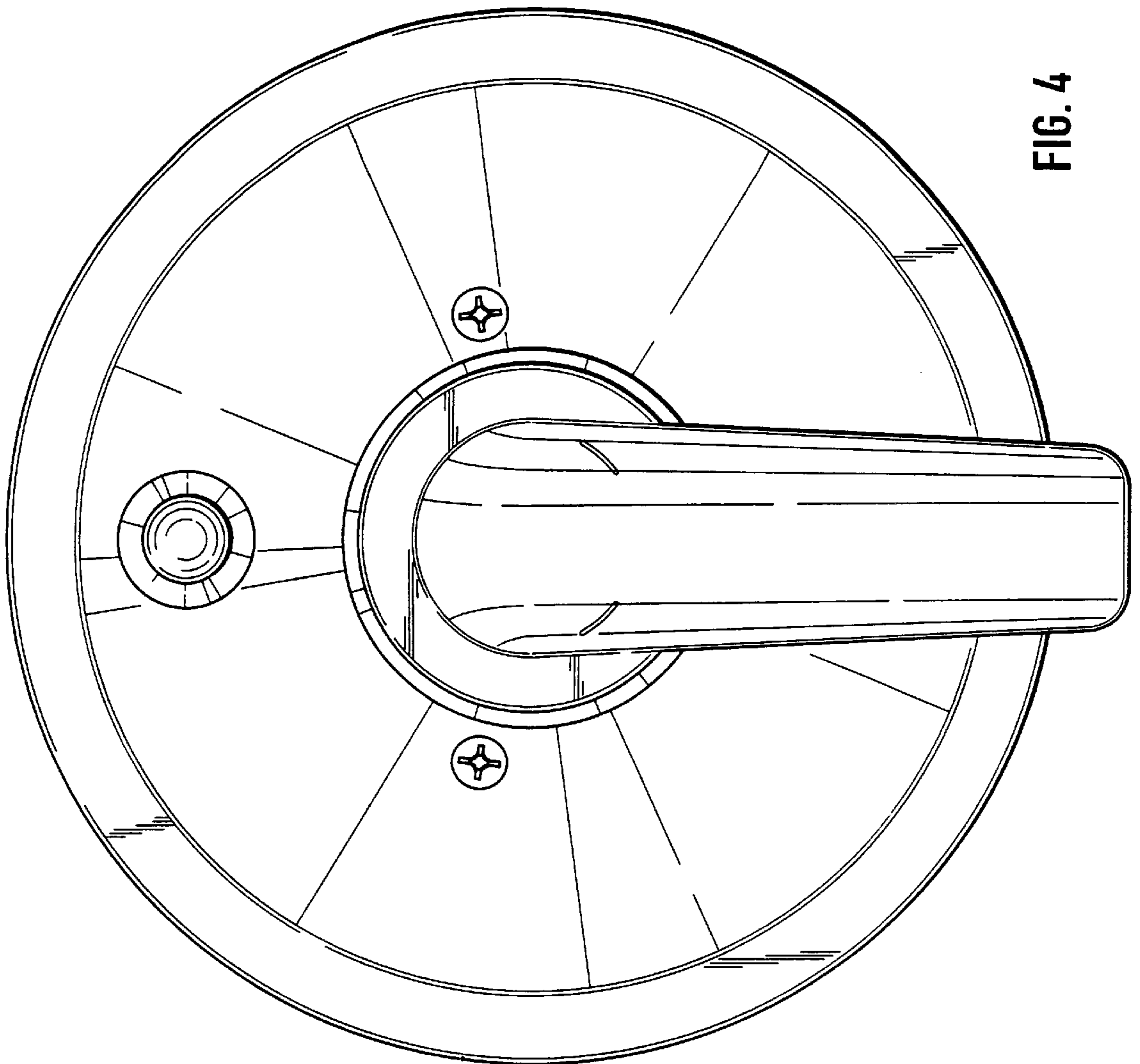


FIG. 4

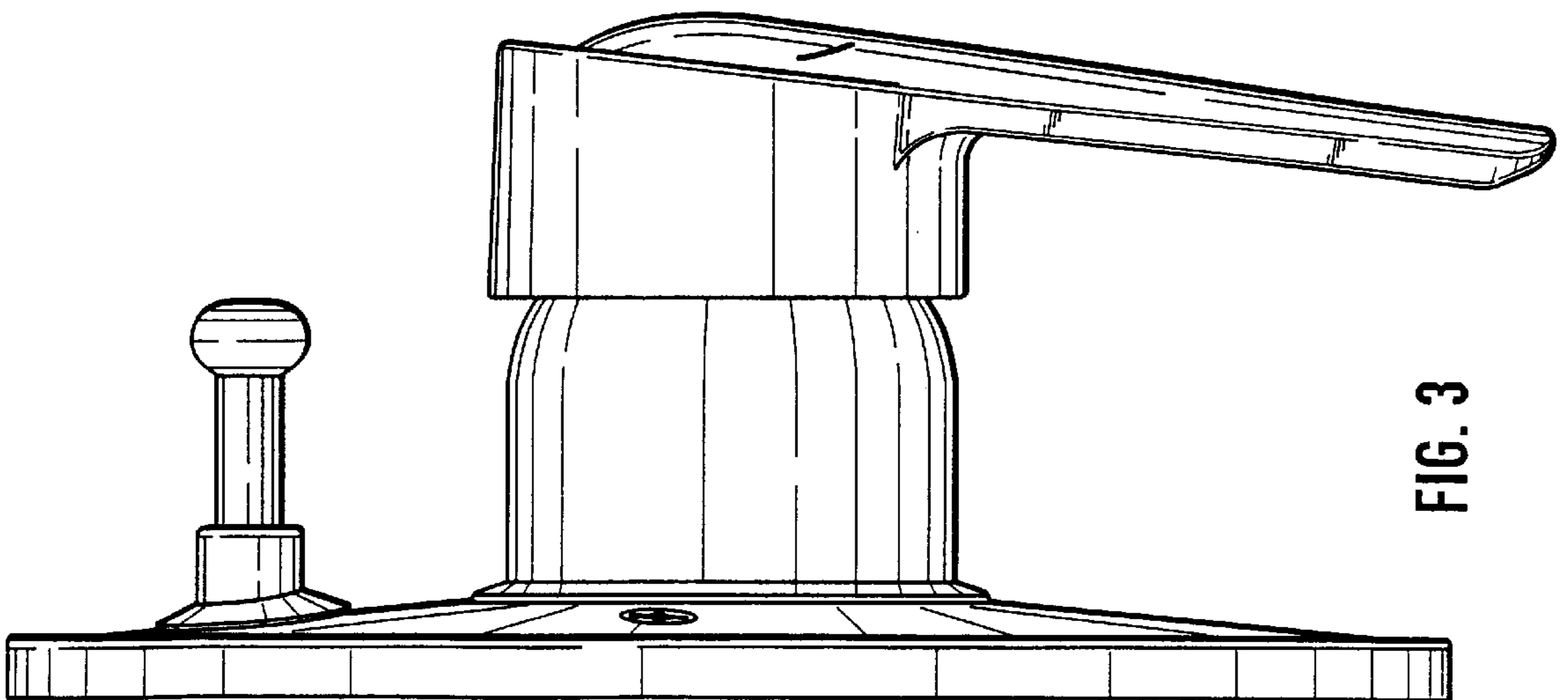


FIG. 3

