



US00D441842S

(12) **United States Design Patent**
Kuhlman

(10) **Patent No.:** **US D441,842 S**

(45) **Date of Patent:** **** May 8, 2001**

(54) **LABORATORY FAUCET BASE**

Sheldon Laboratory Systems, Vandalgard Unicast Laboratory Fixture, 1977, pp. 1, 2.

(75) Inventor: **Charles E. Kuhlman**, Chattanooga, TN (US)

Fittings and Fixtures, Water Faucets, 1997, p. 5.

(73) Assignee: **Collegedale Casework**, Collegedale, TN (US)

* cited by examiner

(**) Term: **14 Years**

Primary Examiner—Louis S. Zarfes

Assistant Examiner—Gregory Andoll

(21) Appl. No.: **29/131,092**

(74) *Attorney, Agent, or Firm*—Miller & Martin LLP

(22) Filed: **Oct. 12, 2000**

(57) **CLAIM**

(51) **LOC (7) Cl.** **23-01**

The ornamental design for a laboratory faucet base, as shown and described.

(52) **U.S. Cl.** **D23/249**

(58) **Field of Search** D23/238–259;
4/675–678; 137/801

DESCRIPTION

(56) **References Cited**

FIG. 1 is a perspective view of the laboratory faucet base;

U.S. PATENT DOCUMENTS

FIG. 2 is a front elevation view;

D. 211,727 * 7/1968 Cheslock D23/259

FIG. 3 is a top elevation view;

D. 254,801 * 4/1980 Santi D23/238

FIG. 4 is a side elevation view the opposite side being a mirror image;

D. 283,154 * 3/1986 McKinnon D23/259

FIG. 5 is a back elevation view; and,

D. 297,756 * 9/1988 Paul D23/242

FIG. 6 is a bottom elevation view.

D. 368,132 3/1996 Errington D23/241

D. 373,815 * 9/1996 Chaney D23/241

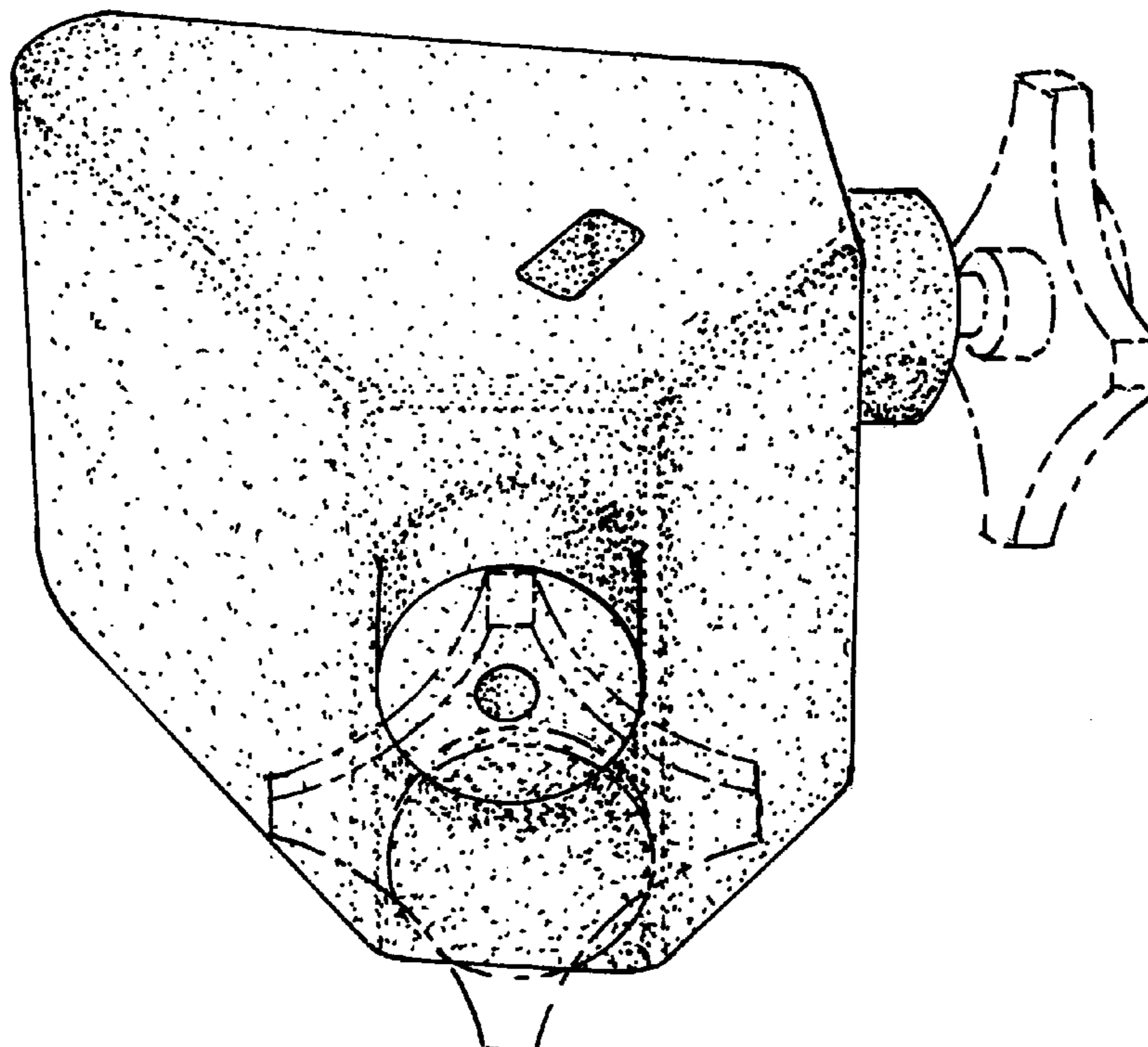
OTHER PUBLICATIONS

The broken lines in the Figures are for illustrative purposes only and form no part of the claimed design.

The Chicago Faucet Company, Product Bulletin No. 505, dated Mar. 13, 1996, 4 pages.

Sheldon Laboratory Systems, Axis 3 Brochure, date unknown, pp. 1–3.

1 Claim, 3 Drawing Sheets



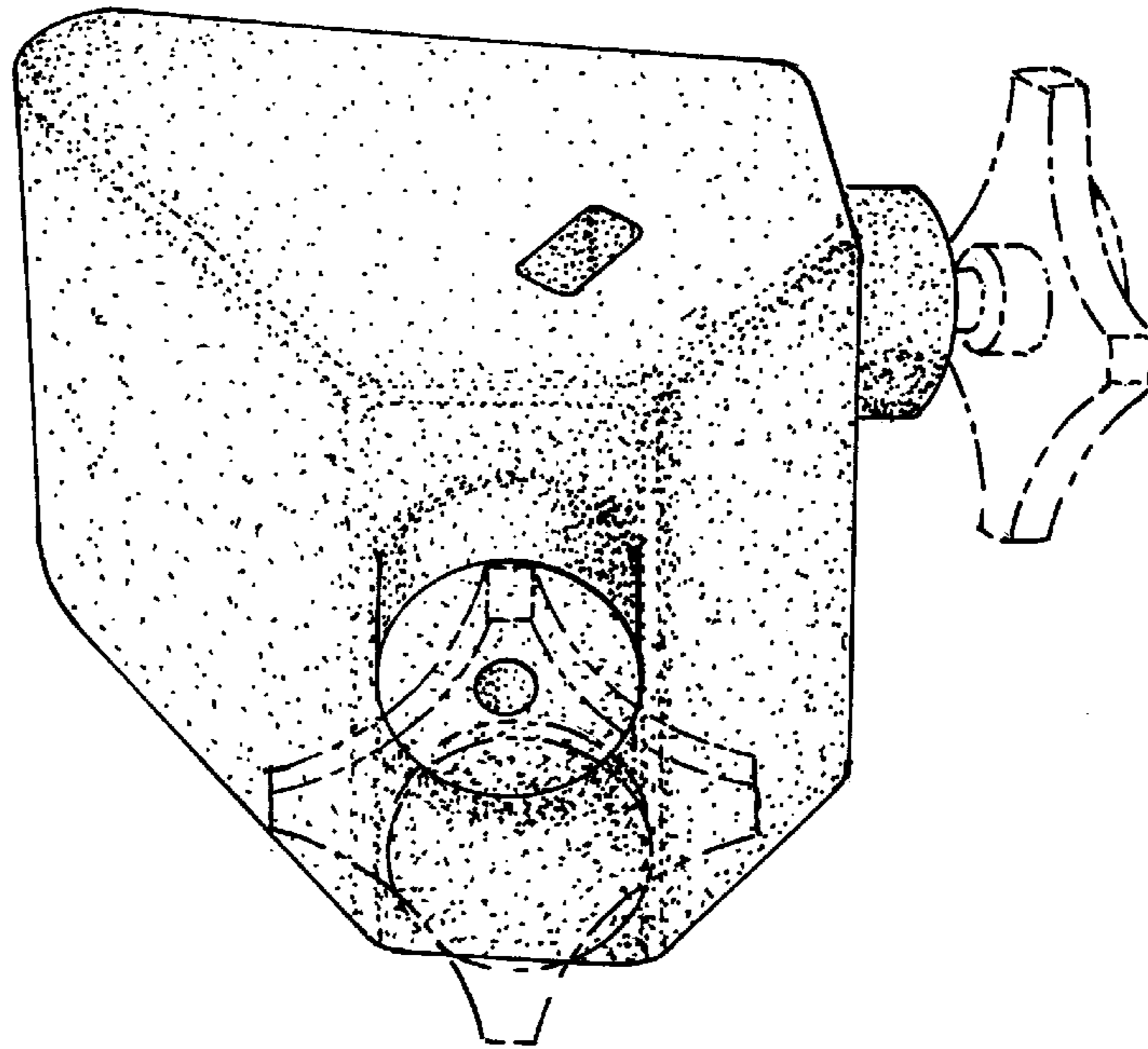


FIG. 1

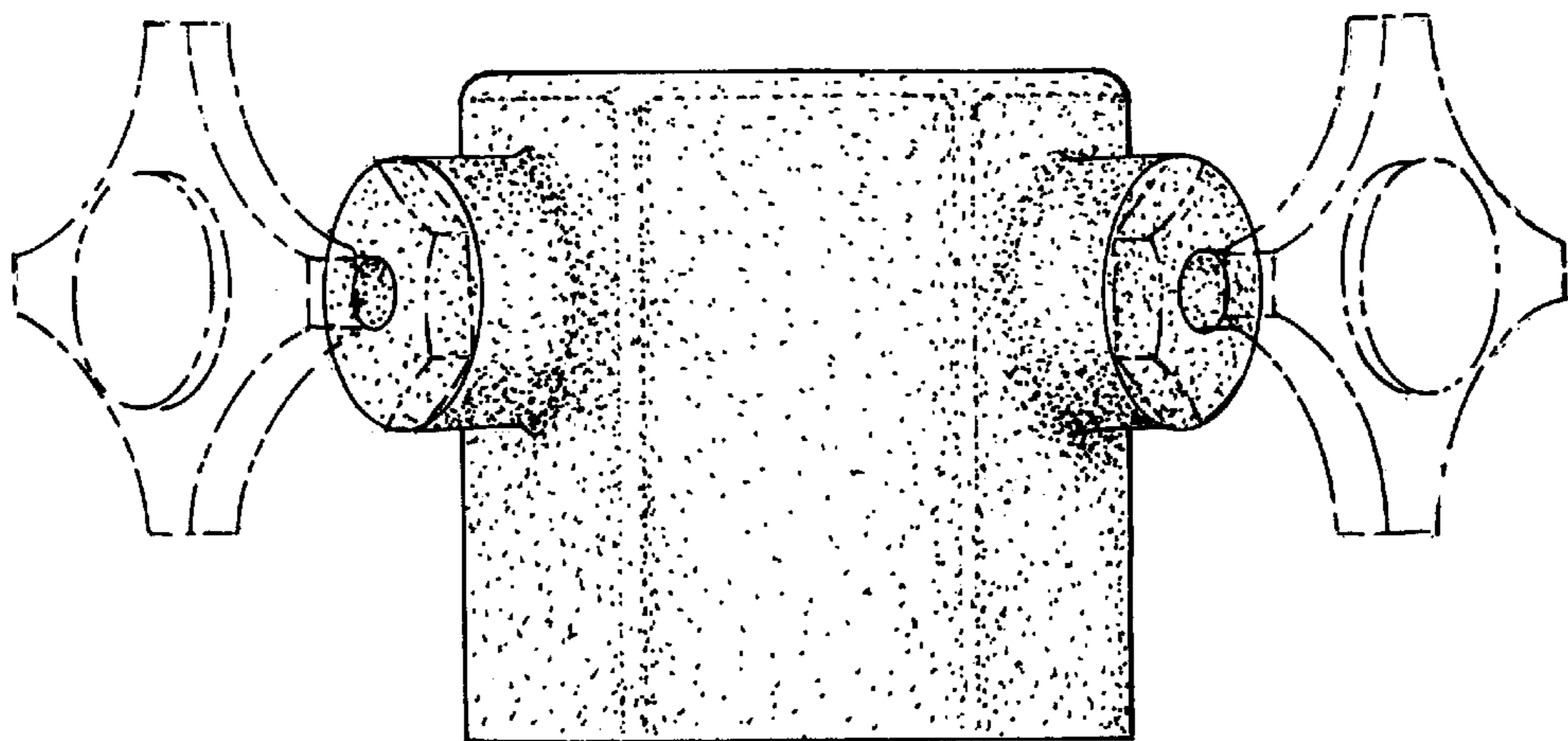


FIG. 2

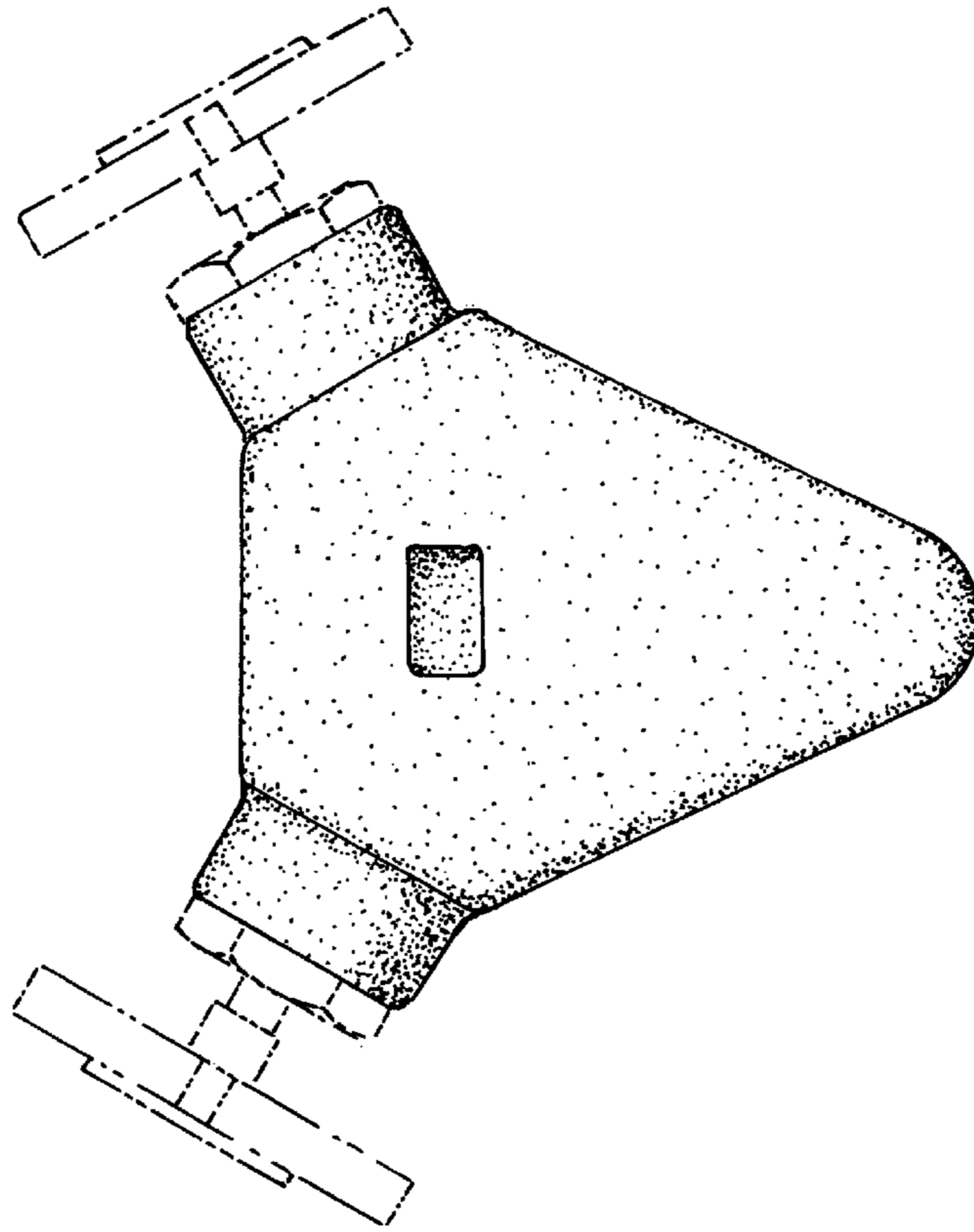


FIG. 3

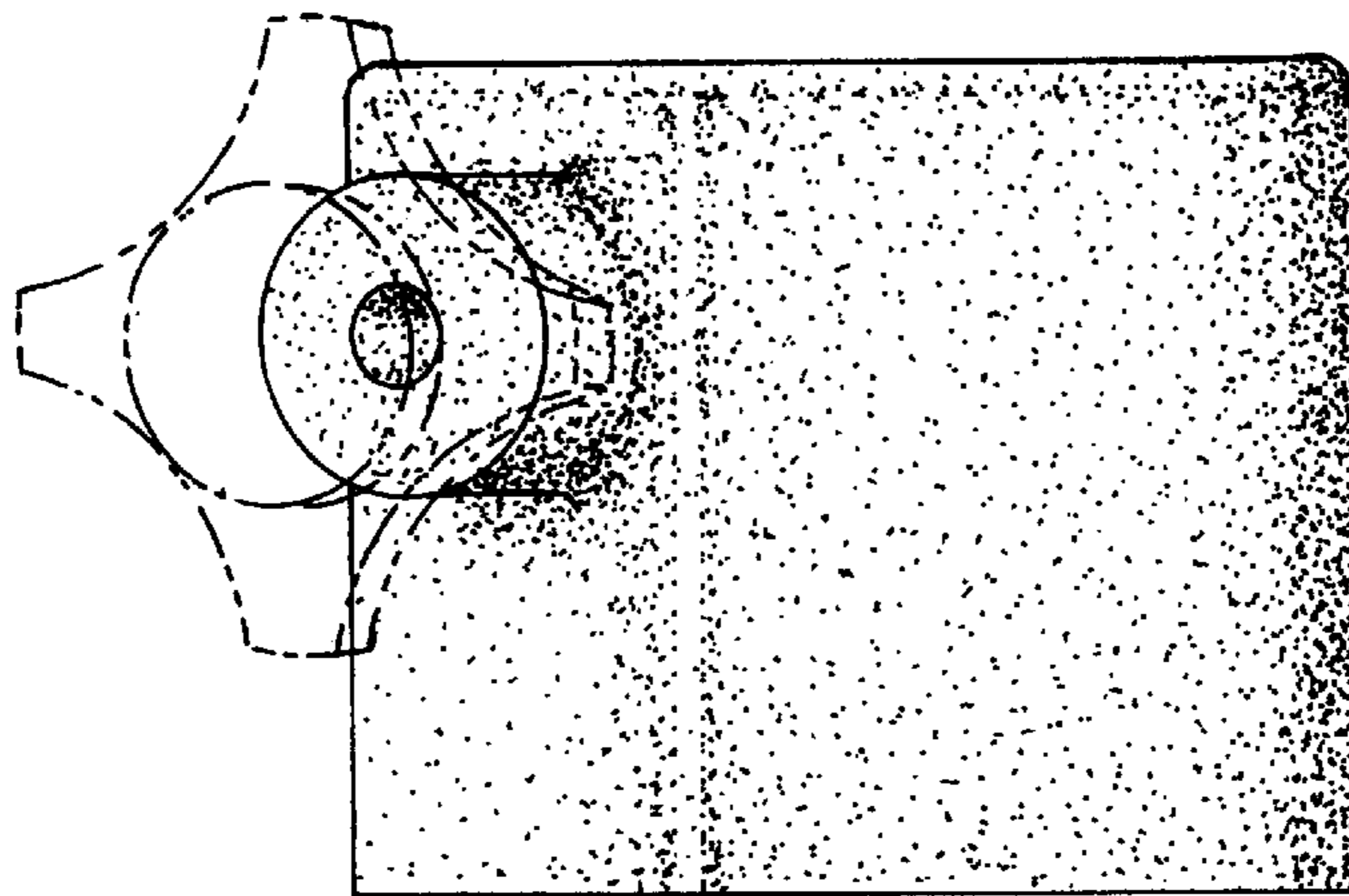


FIG. 4

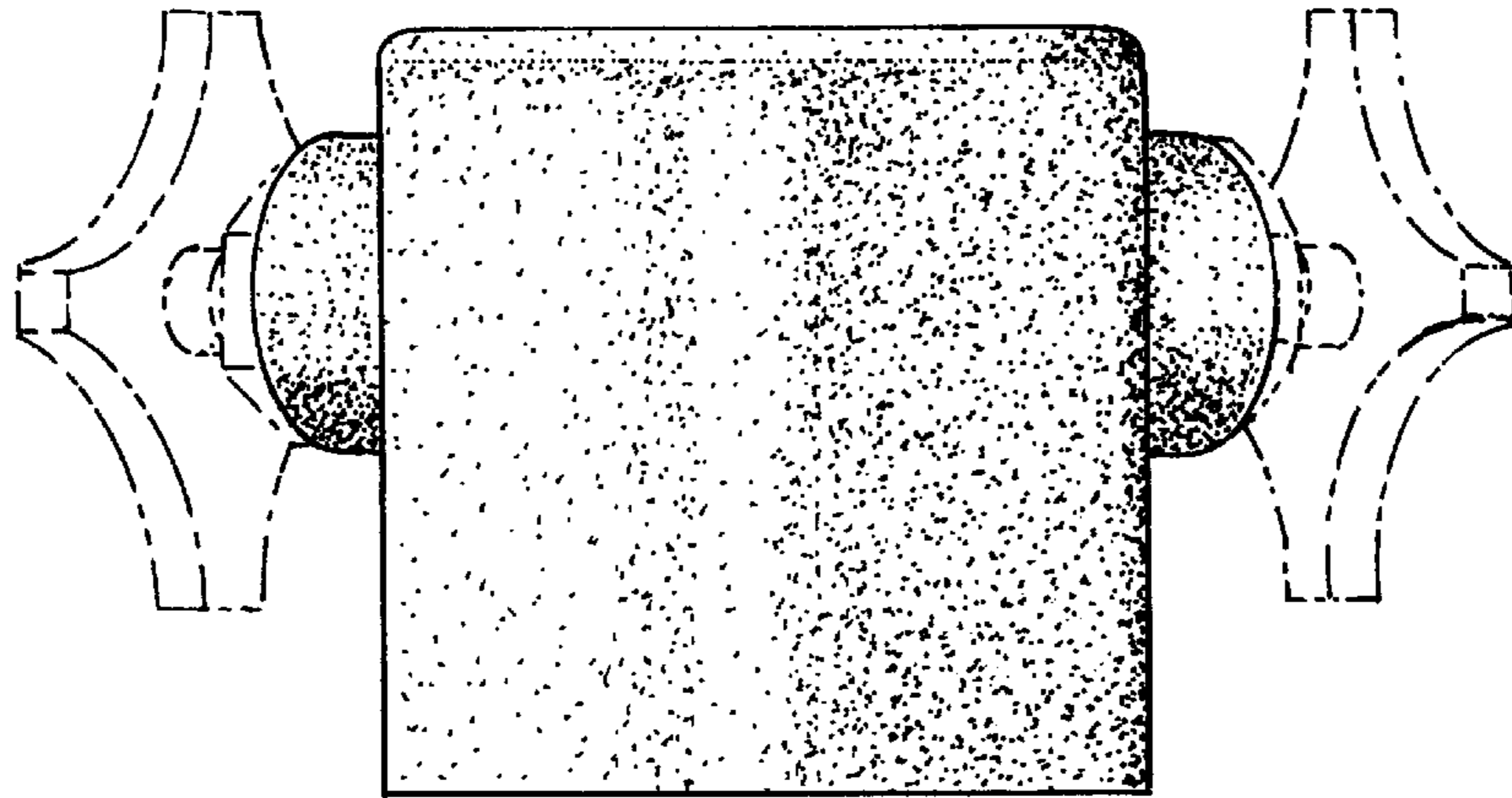


FIG. 5

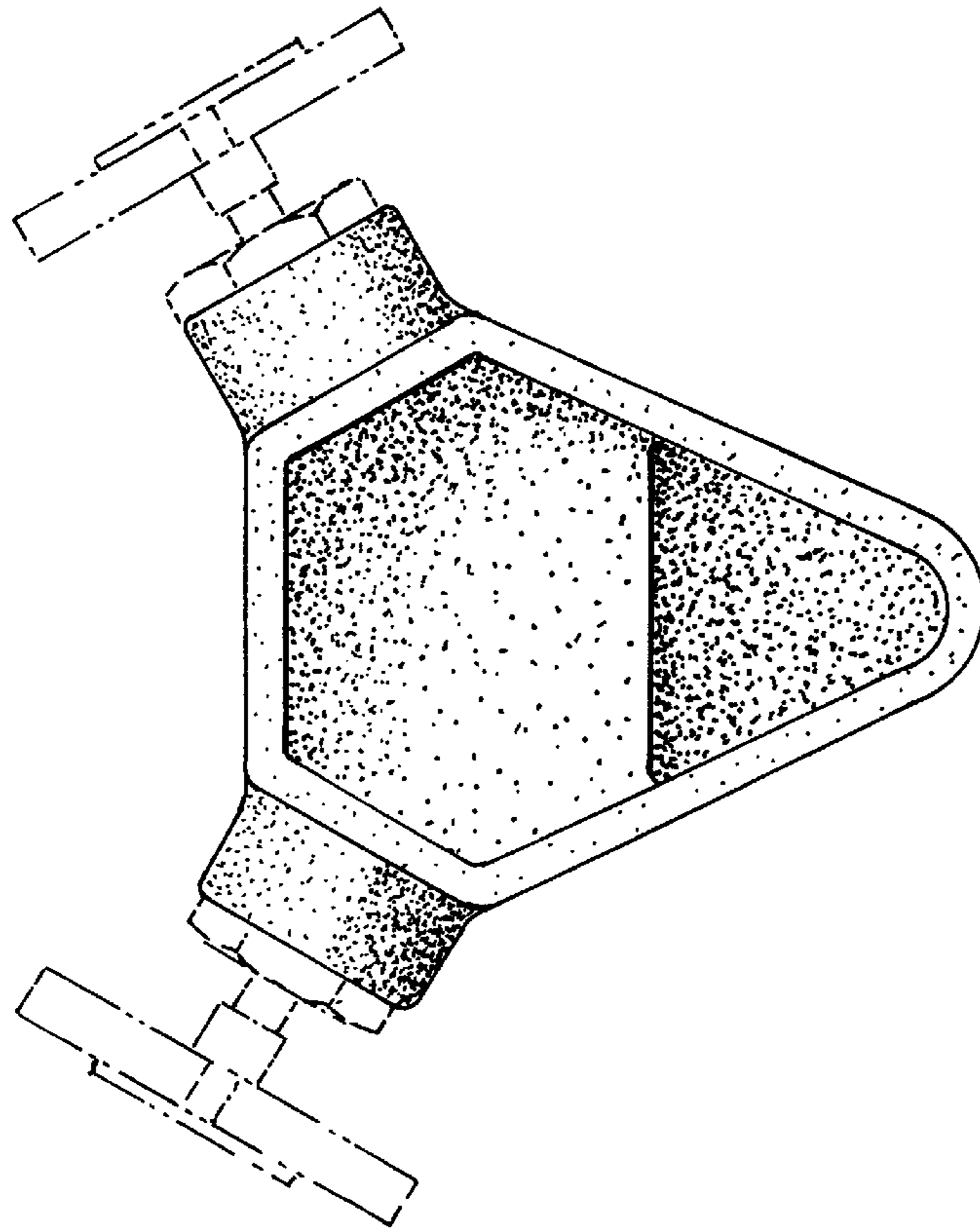


FIG. 6