



US00D441837S

(12) **United States Design Patent**
Fabian et al.

(10) **Patent No.:** **US D441,837 S**

(45) **Date of Patent:** **** May 8, 2001**

(54) **FAUCET**

D. 406,319 * 3/1999 Lord D23/243

D. 428,969 * 8/2000 Pitsch D23/241

(75) Inventors: **Wolfgang Fabian**, Mannheim (DE);
Brian Hunter, Nederland, CO (US)

* cited by examiner

(73) Assignee: **American Standard International Inc.**, New York, NY (US)

Primary Examiner—Louis S. Zarfes

Assistant Examiner—Gregory Andoll

(**) Term: **14 Years**

(57) **CLAIM**

The ornamental design for a faucet, as shown and described.

(21) Appl. No.: **29/121,364**

DESCRIPTION

(22) Filed: **Apr. 5, 2000**

(51) **LOC (7) Cl.** **23-01**

(52) **U.S. Cl.** **D23/238**

(58) **Field of Search** D23/238–243,
D23/250–257; 4/675–678; 137/801

FIG. 1 is a perspective view of a faucet showing my new design;

FIG. 2 is a top plan view thereof;

FIG. 3 is a right side elevational view thereof;

FIG. 4 is a front elevational view thereof;

FIG. 5 is a rear elevational view thereof;

FIG. 6 is a left side elevational view thereof; and,

FIG. 7 is a bottom plan view thereof.

The broken lines in FIG. 7 are for illustrative purposes only and form no part of the claimed design.

(56) **References Cited**

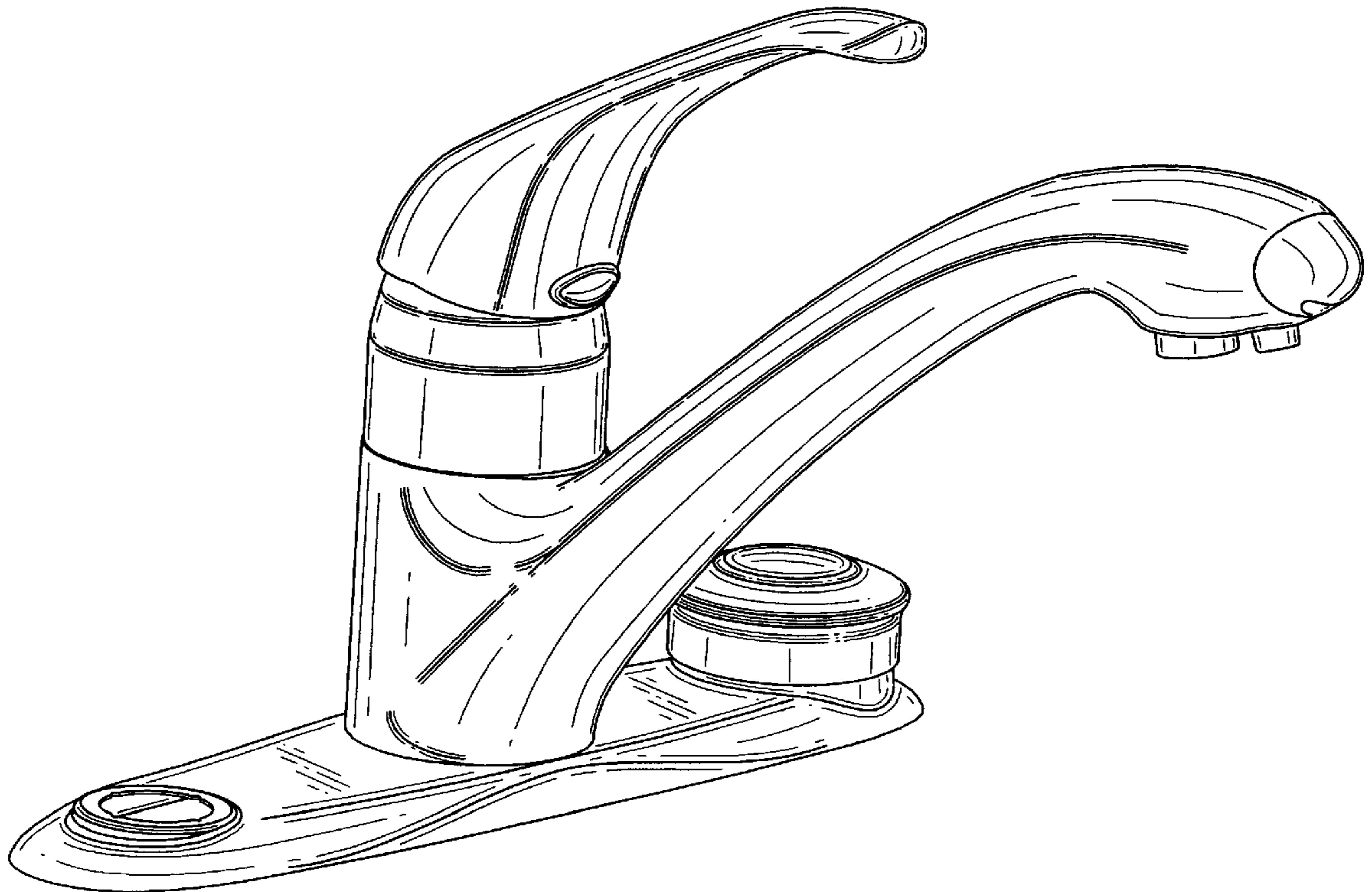
U.S. PATENT DOCUMENTS

D. 376,414 * 12/1996 Doughty et al. D23/241

D. 388,158 * 12/1997 Doughty et al. D23/238

D. 400,648 * 11/1998 Fabian et al. D23/243

1 Claim, 7 Drawing Sheets



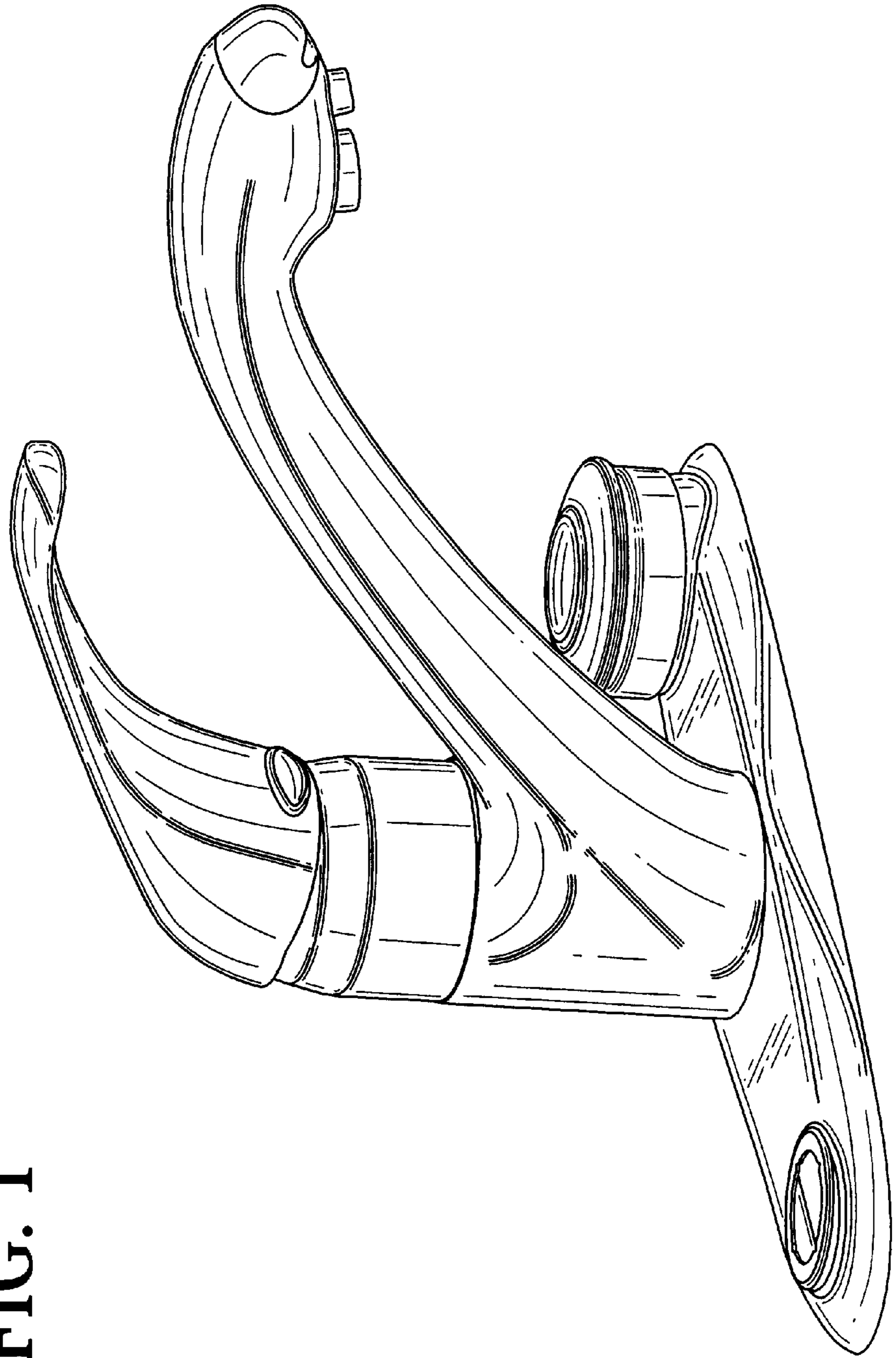


FIG. 1

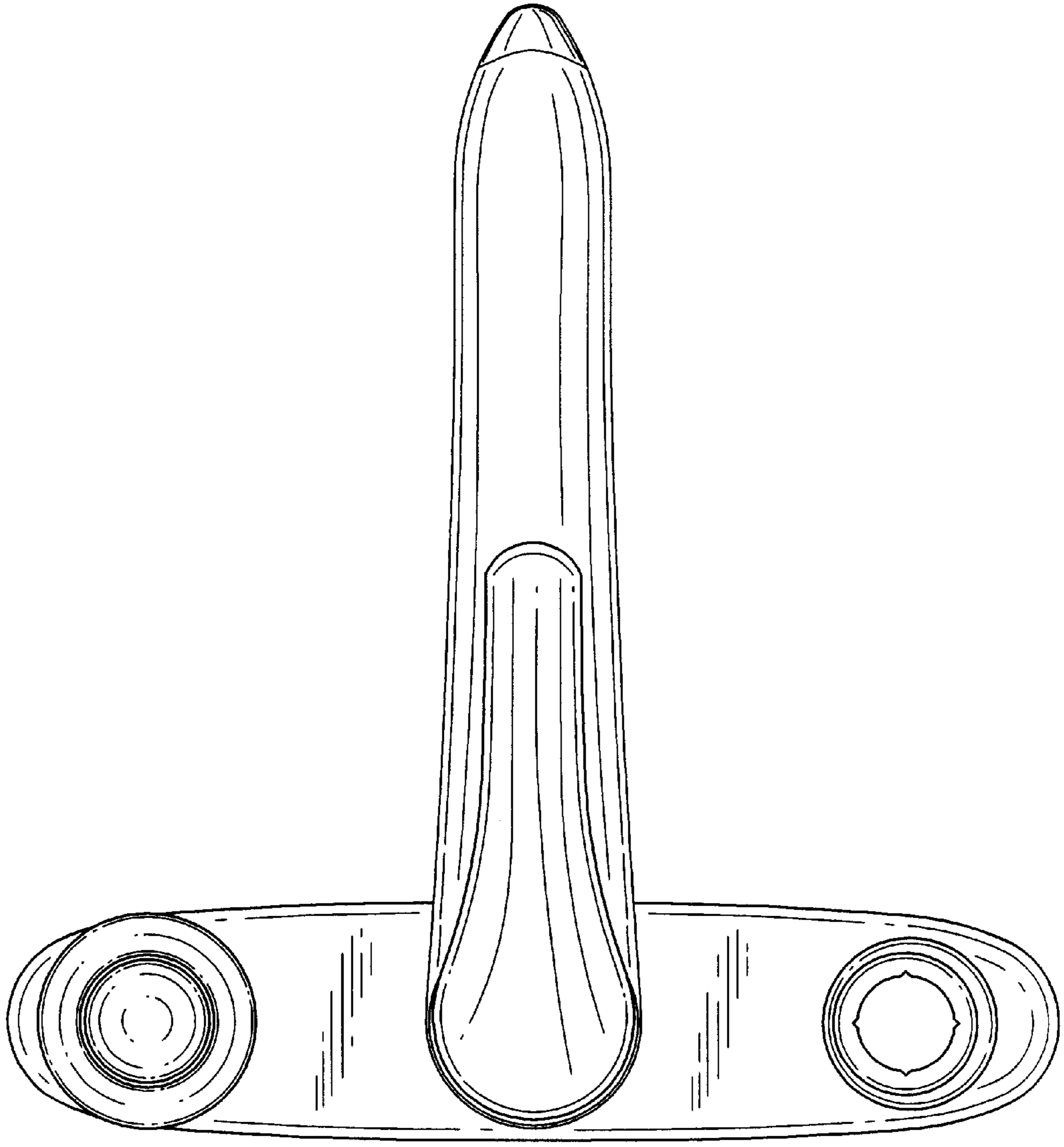


FIG. 2

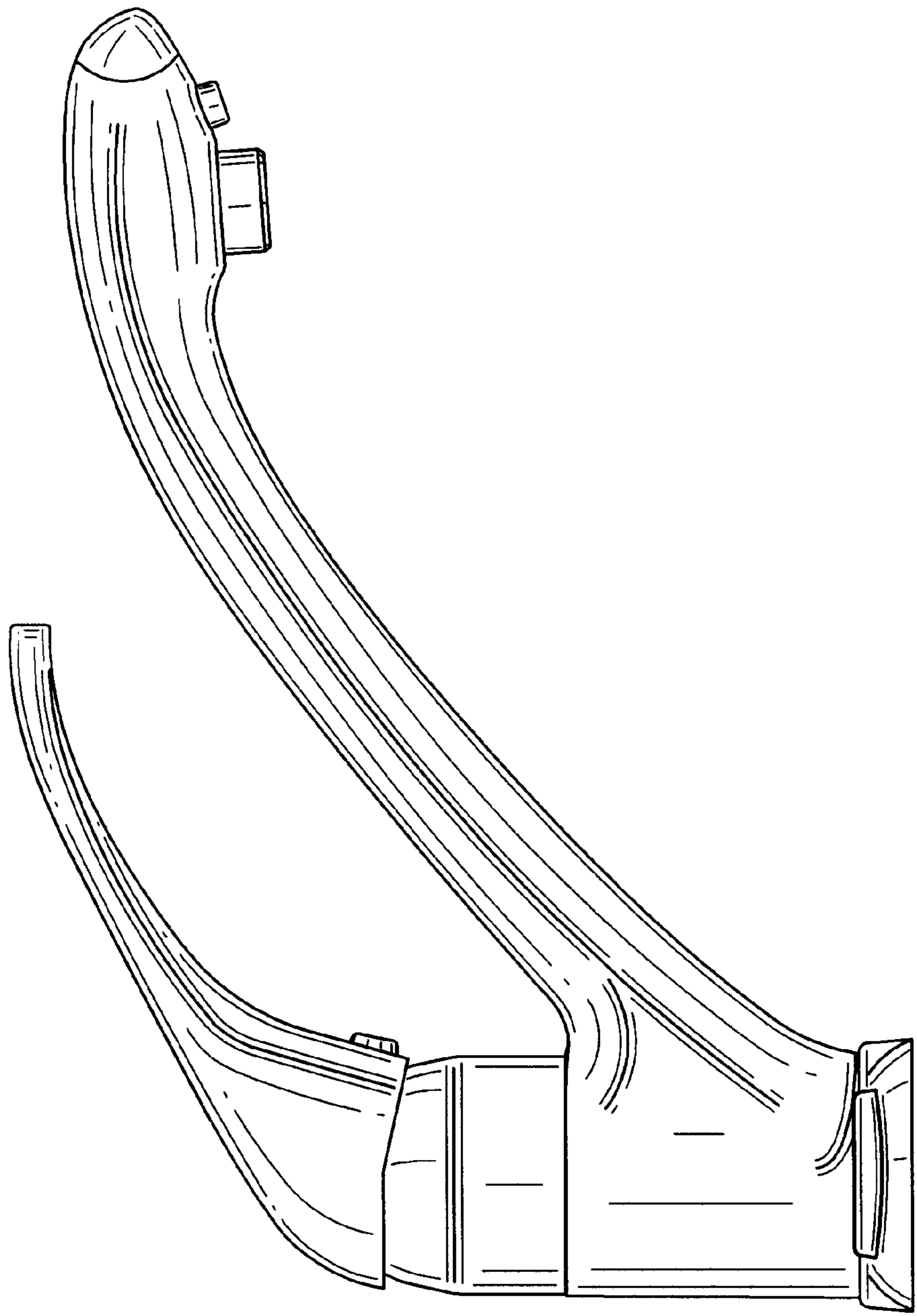


FIG. 3

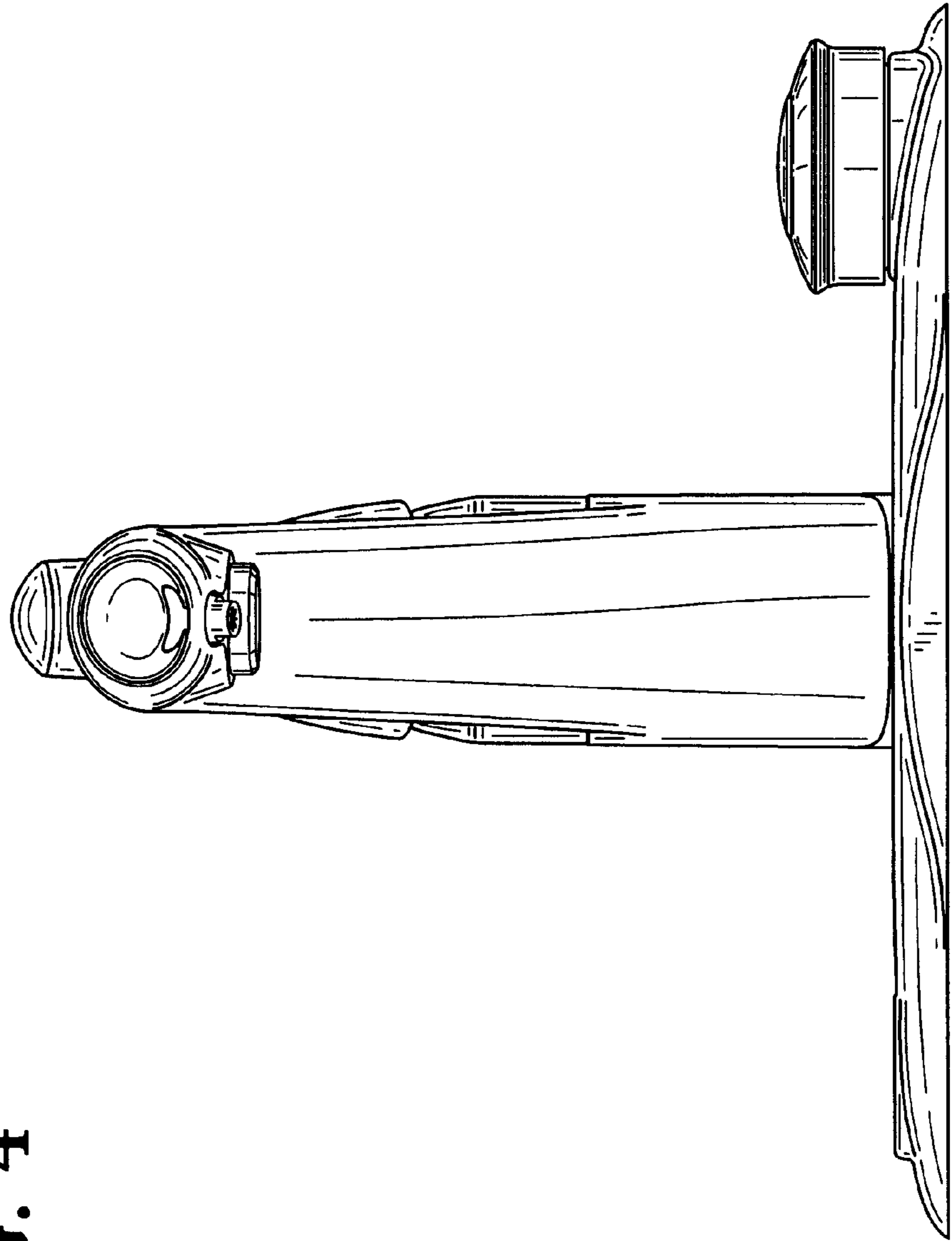
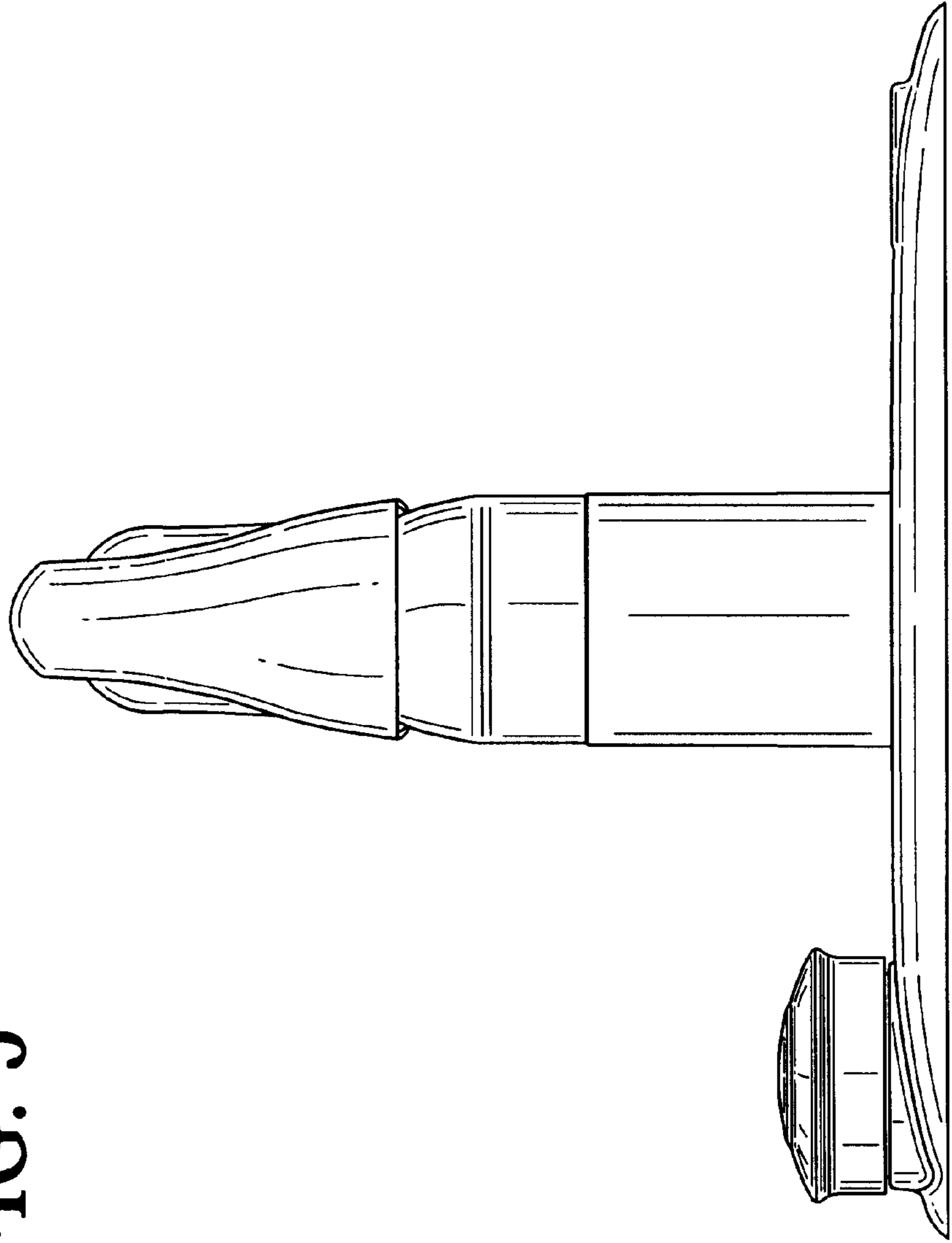


FIG. 4

FIG. 5



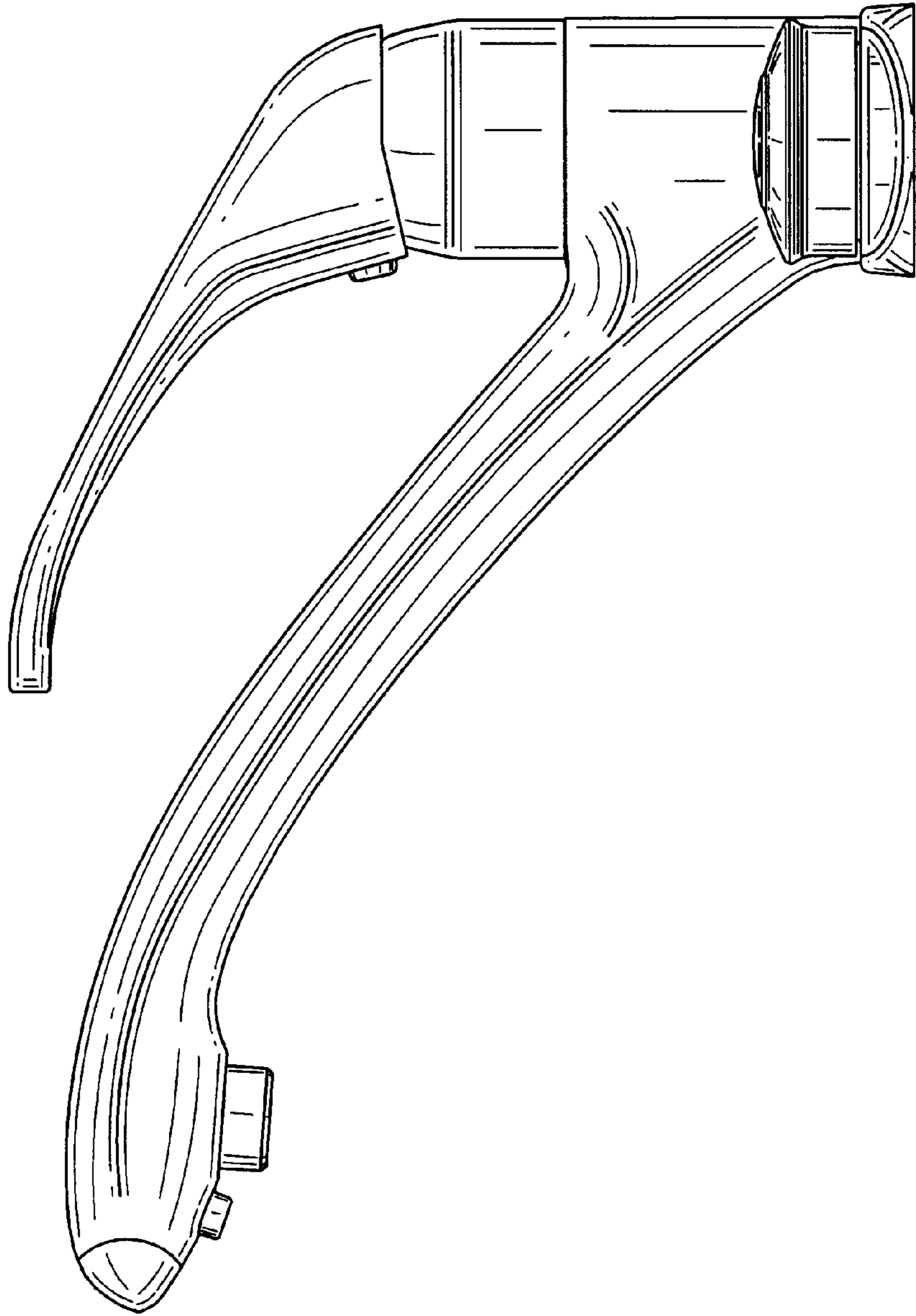


FIG. 6

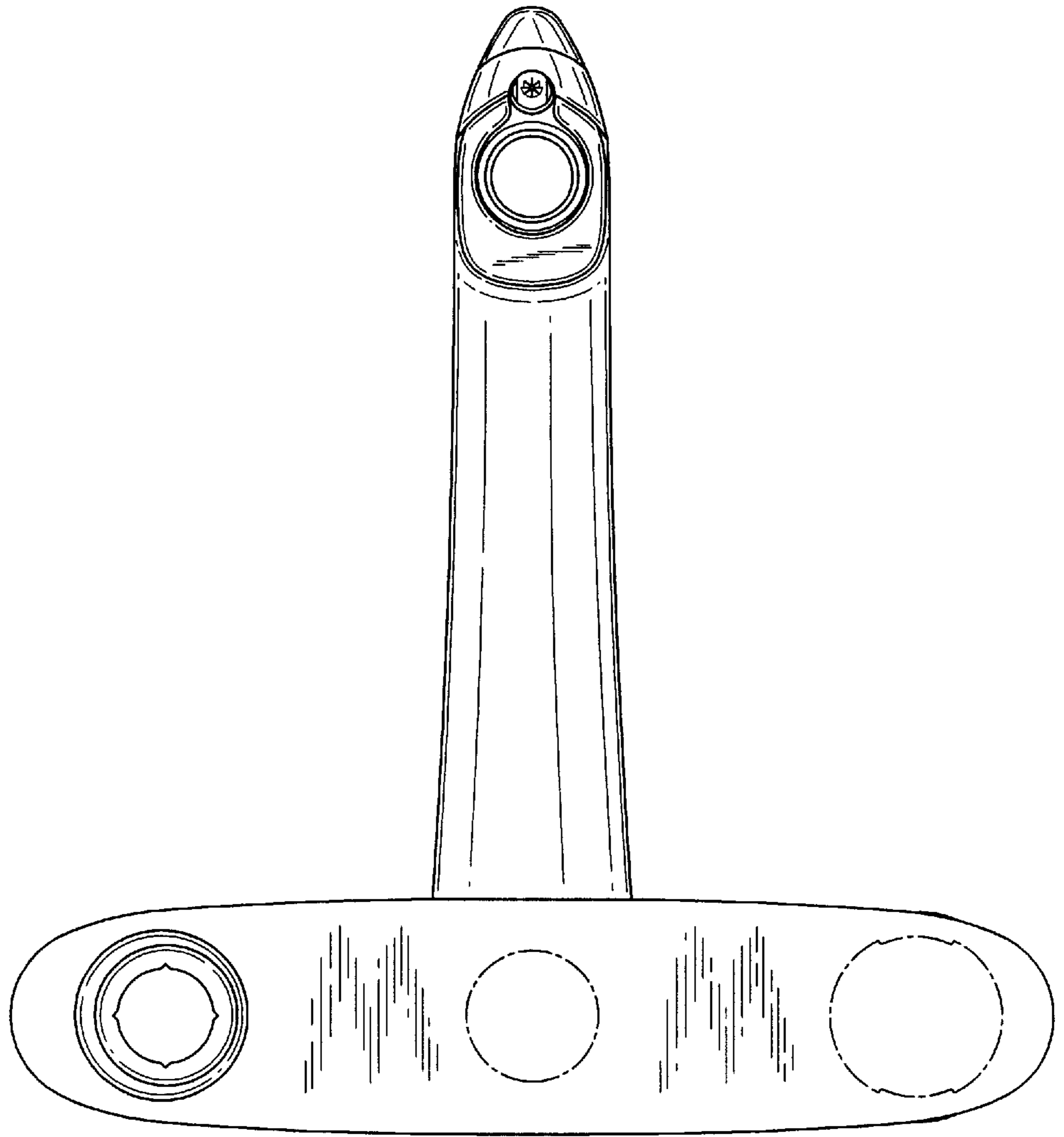


FIG. 7