



US00D441835S

(12) **United States Design Patent**
Costello et al.

(10) **Patent No.:** **US D441,835 S**

(45) **Date of Patent:** **** May 8, 2001**

(54) **FAUCET**

D. 392,025 3/1998 Doughty et al. .
D. 393,696 4/1998 Doughty et al. .

(75) Inventors: **John C. Costello**, Wellesley; **Kevin R. Young**, Newton; **Roy A. Thompson**, Mattapan, all of MA (US)

FOREIGN PATENT DOCUMENTS

(73) Assignee: **Moen Incorporated**, North Olmsted, OH (US)

616451 10/1983 (JP) .
726212 11/1987 (JP) .
726214 11/1987 (JP) .
886712 9/1993 (JP) .
912708 8/1994 (JP) .
973818 11/1996 (JP) .
986614 4/1997 (JP) .
986731 4/1997 (JP) .
1004203 11/1997 (JP) .
1016928 5/1998 (JP) .
163827-1 8/1995 (KR) .
177250 4/1996 (KR) .

(**) Term: **14 Years**

(21) Appl. No.: **29/096,885**

(22) Filed: **Nov. 23, 1998**

(51) **LOC (7) Cl.** **23-01**

(52) **U.S. Cl.** **D23/238**

(58) **Field of Search** D23/238-243,
D23/250-257; 4/675-678; 137/801

OTHER PUBLICATIONS

Catalog, Mar. 1997, Japan.
Catalog, Sep. 1997, Japan.
Catalog, Jun. 1, 1996, Japan.
Catalog, Jul. 1993, Japan.
Catalog, Feb. 1995, Japan.

(56) **References Cited**

U.S. PATENT DOCUMENTS

D. 149,398 4/1948 Bauberger .
D. 213,874 4/1969 Landell .
D. 258,522 3/1981 Thevenot .
D. 258,523 3/1981 Thevenot .
D. 276,257 11/1984 Fabian .
D. 280,437 9/1985 Rademacher .
D. 289,318 4/1987 Yost .
D. 308,568 6/1990 Strignano .
D. 315,397 3/1991 Knapp .
D. 324,905 3/1992 Chretien .
D. 344,324 2/1994 Mattis .
D. 359,342 6/1995 Doughty et al. .
D. 363,534 10/1995 Hill et al. .
D. 364,211 11/1995 Hill et al. .
D. 364,212 11/1995 Hill et al. .
D. 367,699 3/1996 Hill et al. .
D. 373,621 9/1996 Doughty et al. .
D. 376,414 12/1996 Doughty et al. .
D. 380,809 7/1997 Warshawsky .
D. 384,401 9/1997 Doughty et al. .
D. 390,639 2/1998 Ming-hua .
D. 390,919 2/1998 Lobermeier .

Primary Examiner—Louis S. Zarfes
Assistant Examiner—Robert A. Delehanty
(74) *Attorney, Agent, or Firm*—Cook, Alex, McFarron,
Manzo, Cummings & Mehler, Ltd.

(57) **CLAIM**

The ornamental design for a faucet, as shown and described.

DESCRIPTION

FIG. 1 is a top perspective view, as viewed from the top right side, of a faucet showing our new design;
FIG. 2 is a right side view thereof, with the left side view being a mirror image;
FIG. 3 is a front view thereof;
FIG. 4 is a rear view thereof;
FIG. 5 is a top view thereof; and,
FIG. 6 is a bottom view thereof.

1 Claim, 2 Drawing Sheets

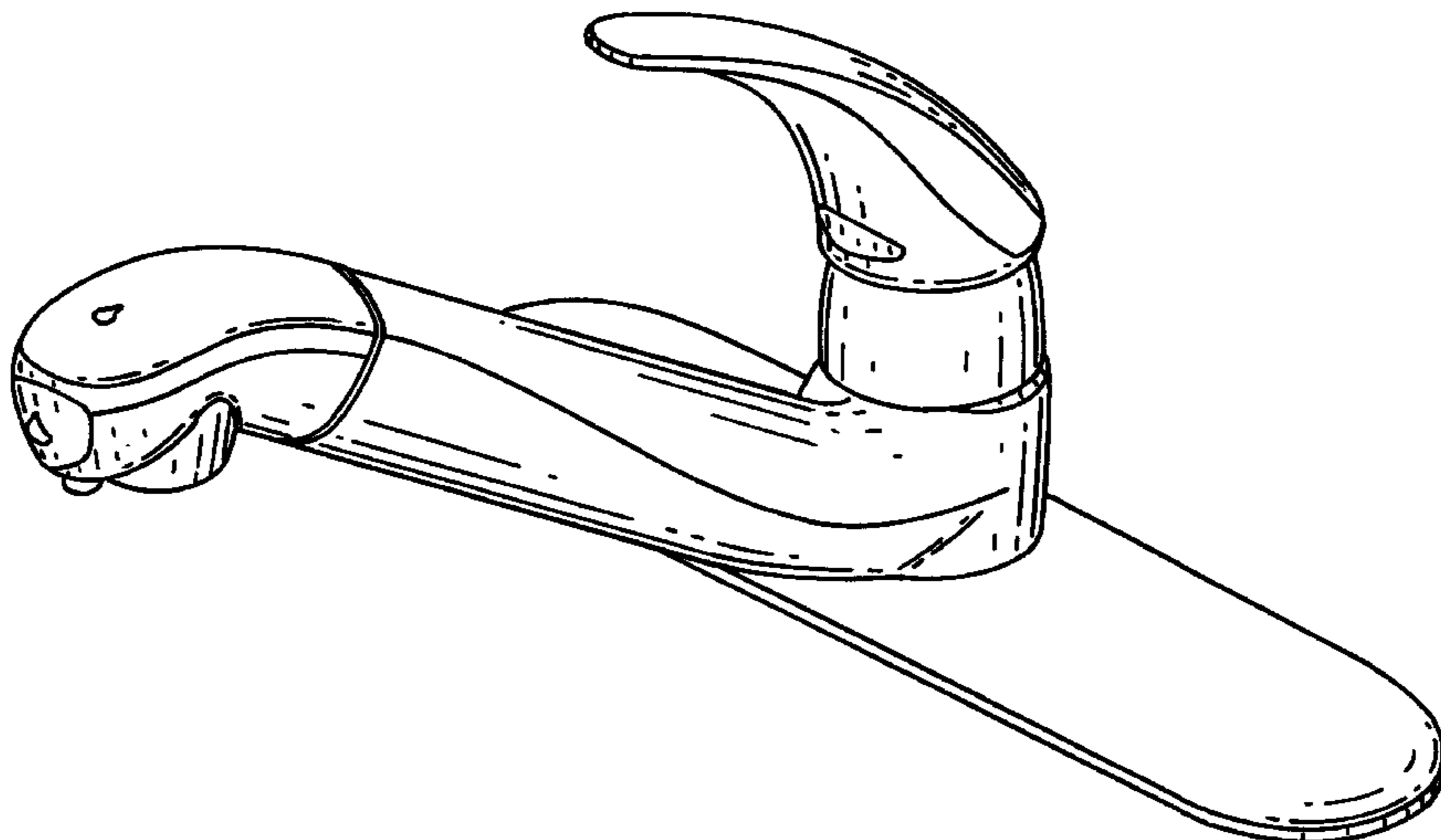


FIG. 1.

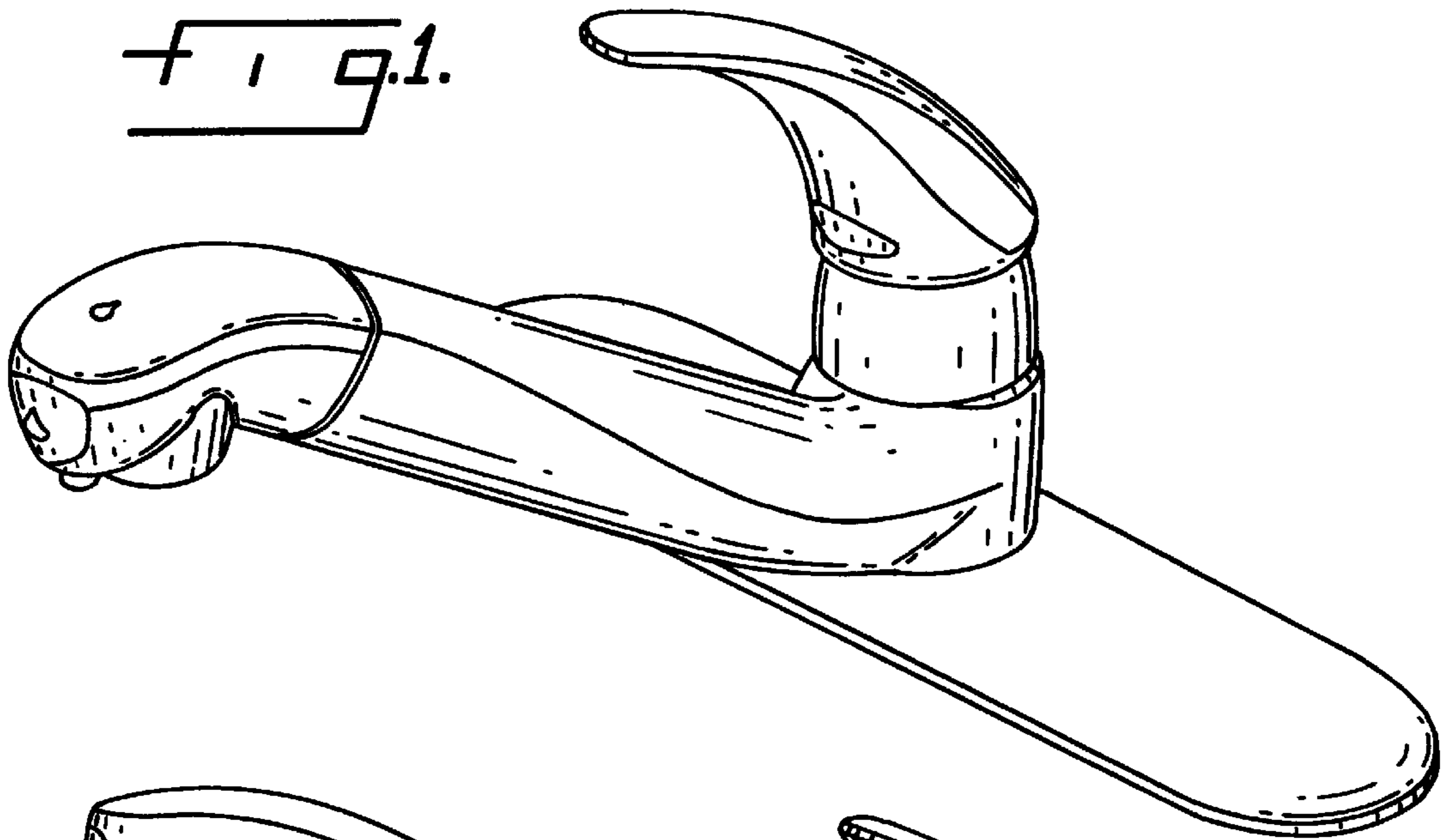


FIG. 2.

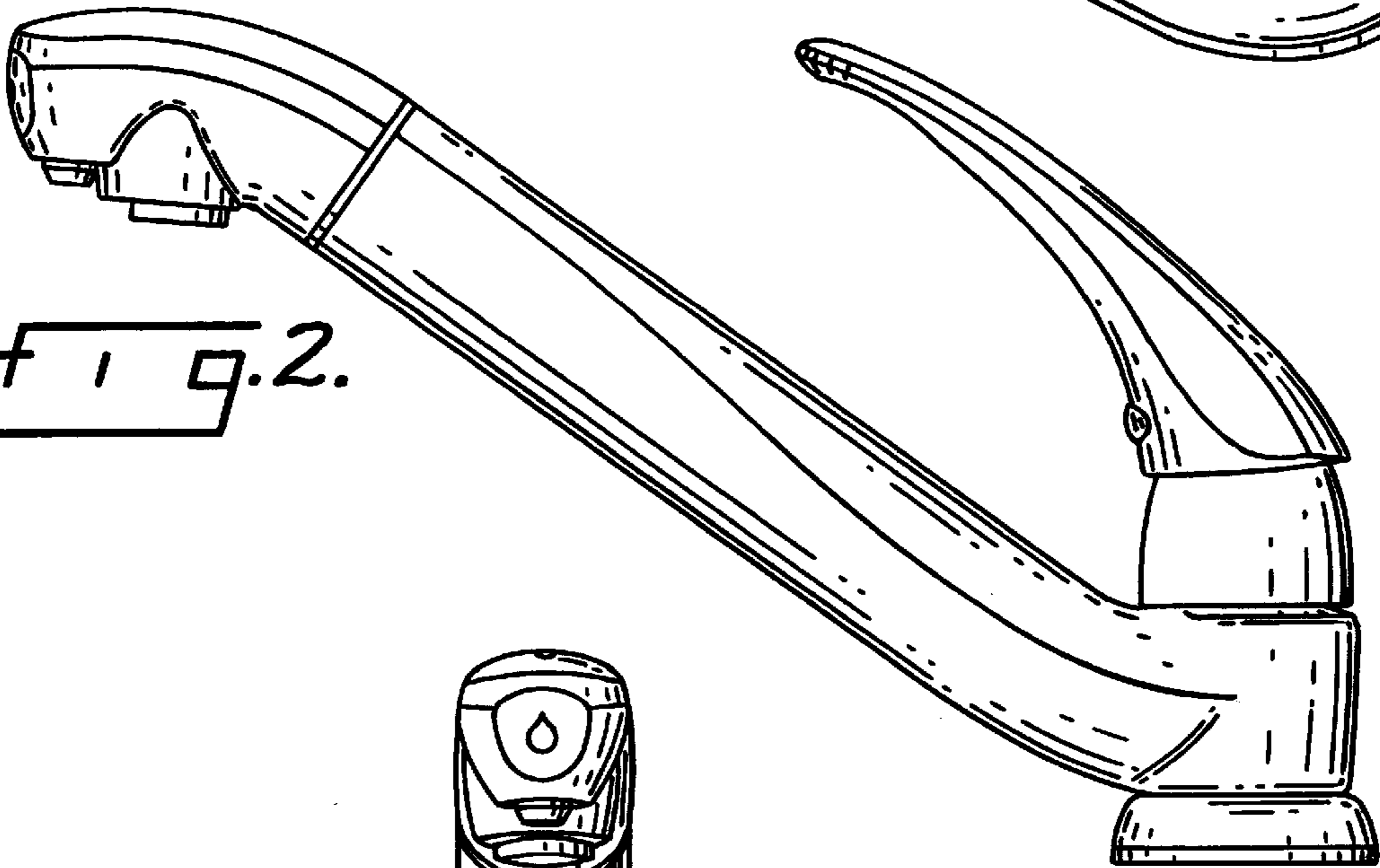


FIG. 3.

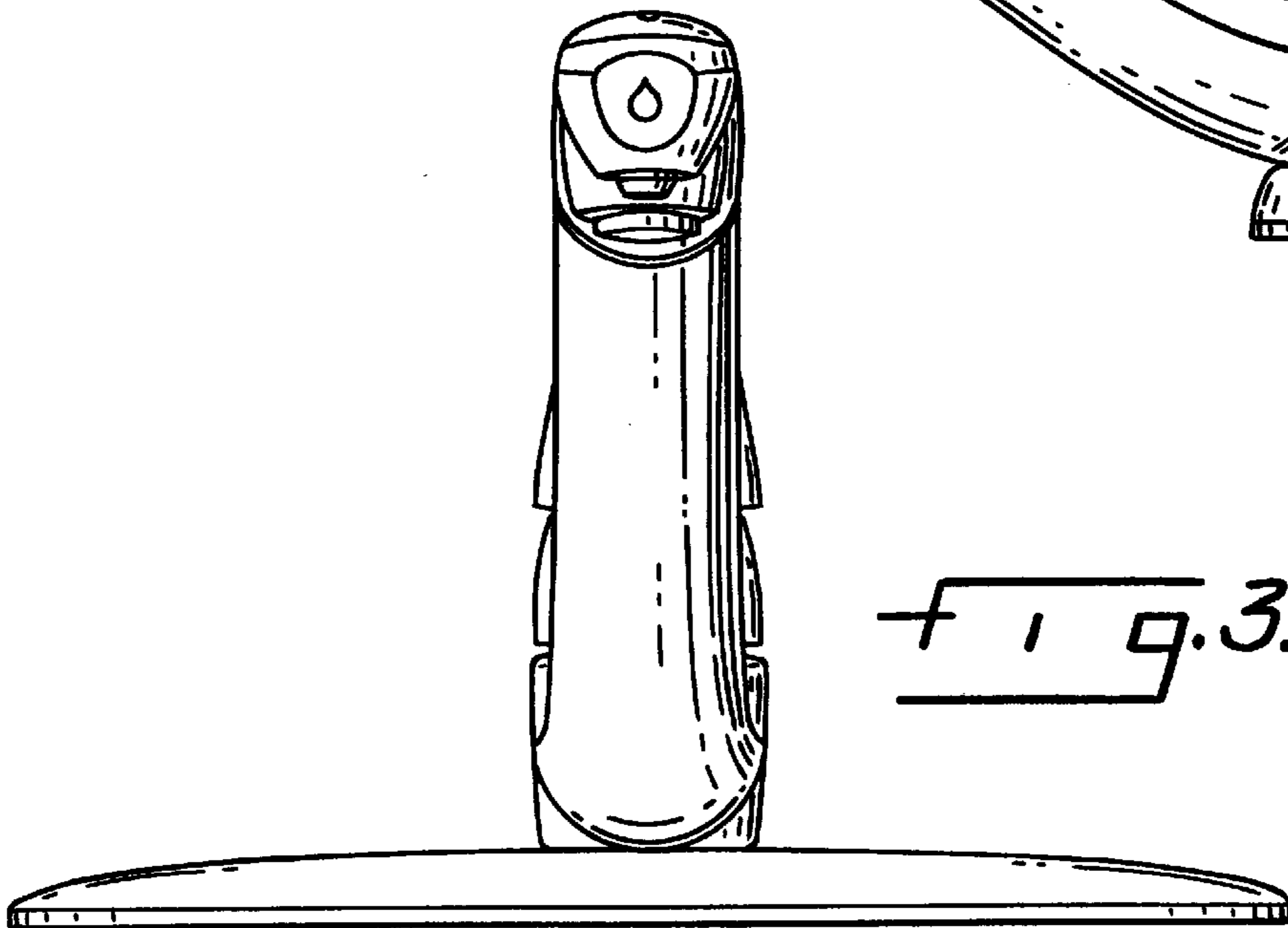


FIG. 5.

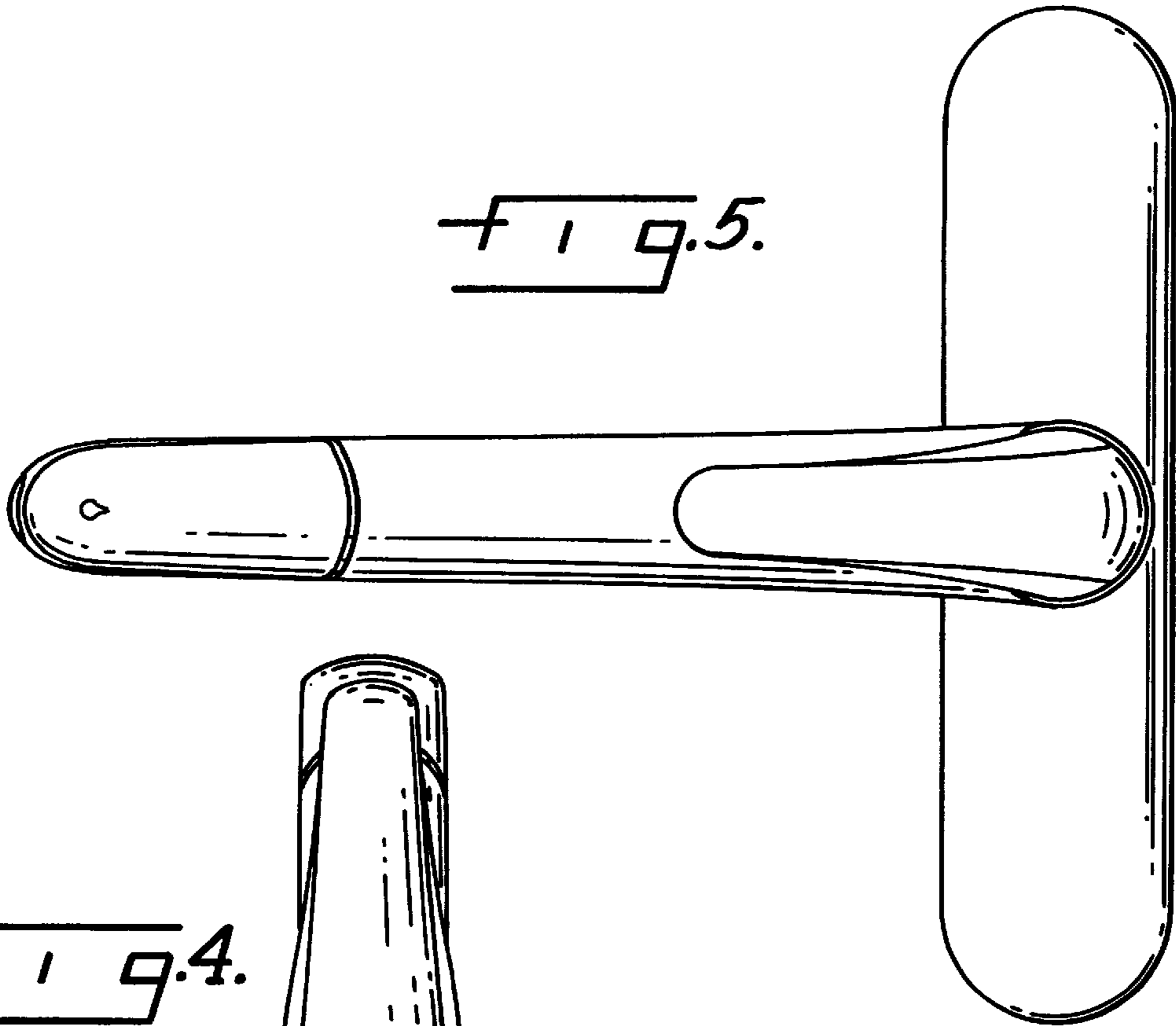


FIG. 4.

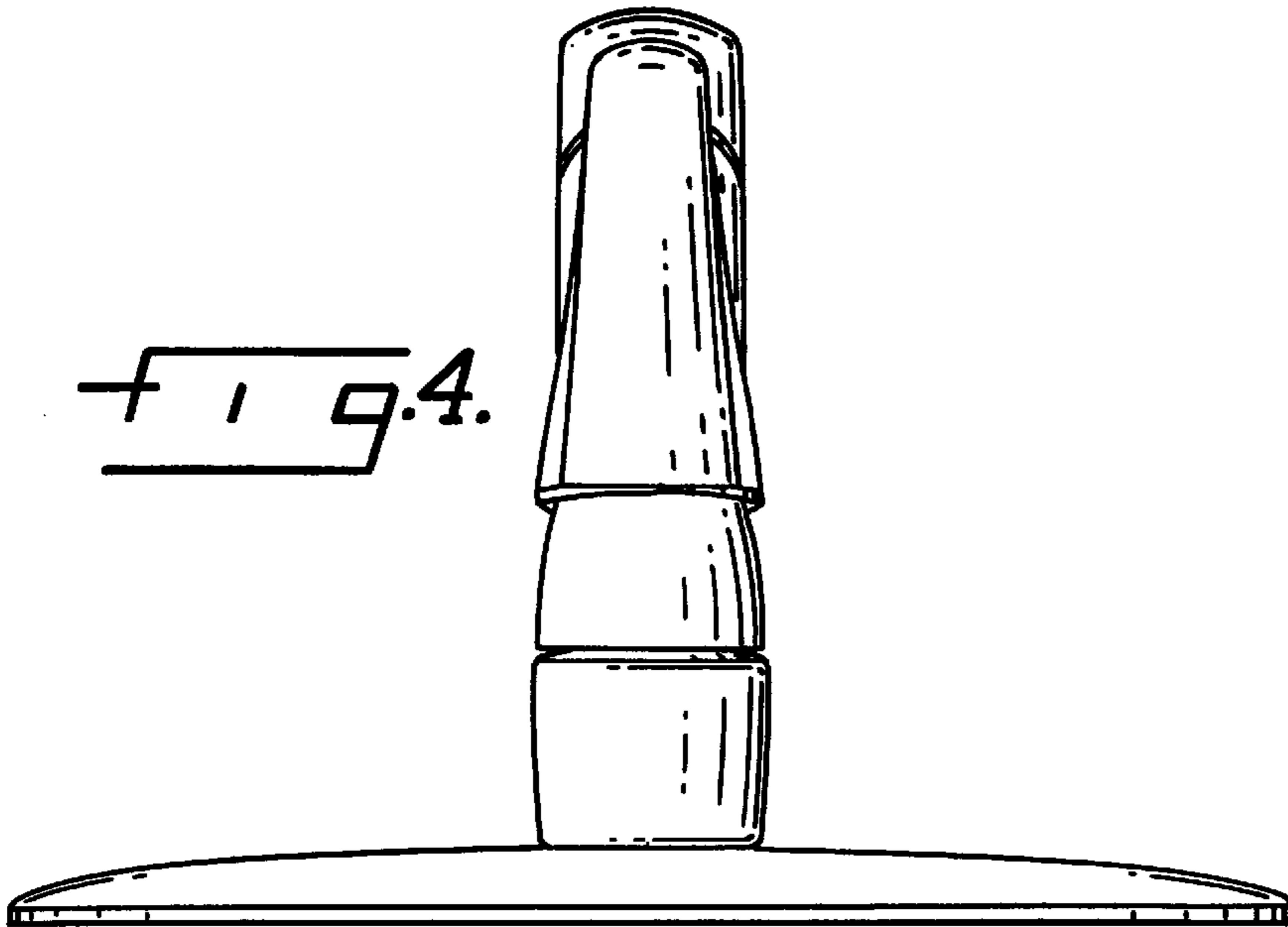


FIG. 6.

