



US00D441833S

(12) **United States Design Patent**
Haas

(10) **Patent No.:** **US D441,833 S**

(45) **Date of Patent:** **** May 8, 2001**

(54) **SPRAY COATING DEVICE**

5,503,880 * 4/1996 Matschke 361/227
5,678,770 * 10/1997 Shah 239/690

(75) Inventor: **Gerald Haas**, St. Gallen (CH)

* cited by examiner

(73) Assignee: **ITW Gema AG**, St. Gallen (CH)

Primary Examiner—Robin V. Taylor

(**) Term: **14 Years**

(74) *Attorney, Agent, or Firm*—Lowe Hauptman Gopstein
Gilman & Berner, LLP

(21) Appl. No.: **29/105,571**

(57) **CLAIM**

(22) Filed: **May 26, 1999**

The ornamental design for a spray coating device, as shown and described.

(30) **Foreign Application Priority Data**

Nov. 26, 1998 (CH) 125642

DESCRIPTION

(51) **LOC (7) Cl.** **23-01**

The drawings show two new designs (or two embodiments of a similar design) of a new spray coating gun for coating articles with a liquid or preferably with coating powder.

(52) **U.S. Cl.** **D23/226**

(58) **Field of Search** D23/213, 223,
D23/226; 239/394, 525-6, 690, 693; 361/227,
228

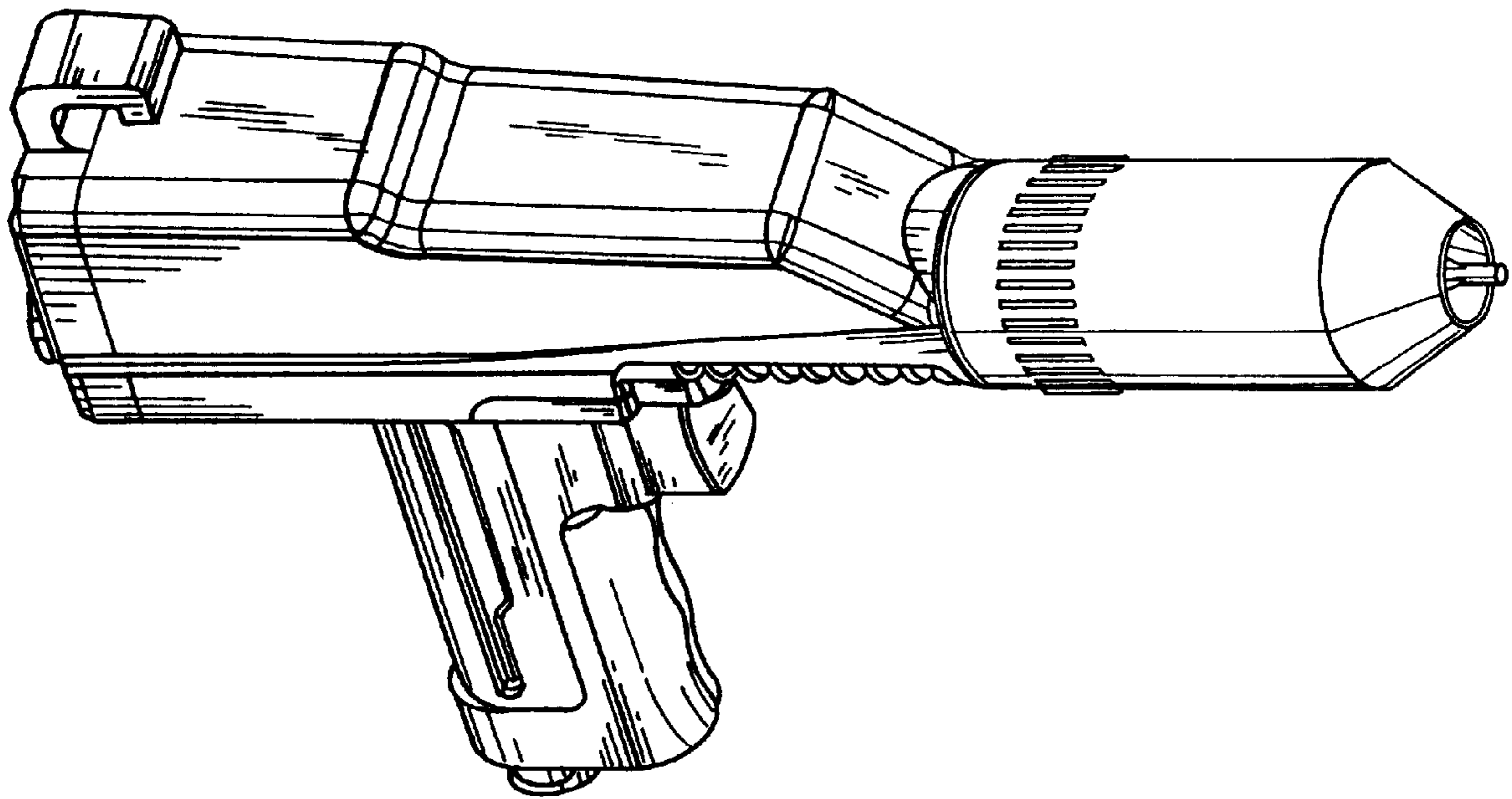
FIG. 1 is a top, right perspective view of a spray coating device showing my new design;
FIG. 2 is a front view thereof;
FIG. 3 is a bottom, left perspective view thereof;
FIG. 4 is a top view thereof;
FIG. 5 is a rear perspective view thereof; and,
FIG. 6 is a right side elevational view thereof.

(56) **References Cited**

U.S. PATENT DOCUMENTS

D. 325,241 * 4/1992 Buschor D23/226
D. 397,421 * 8/1998 Adams D23/226
3,819,115 * 6/1974 Soderman 239/690

1 Claim, 3 Drawing Sheets



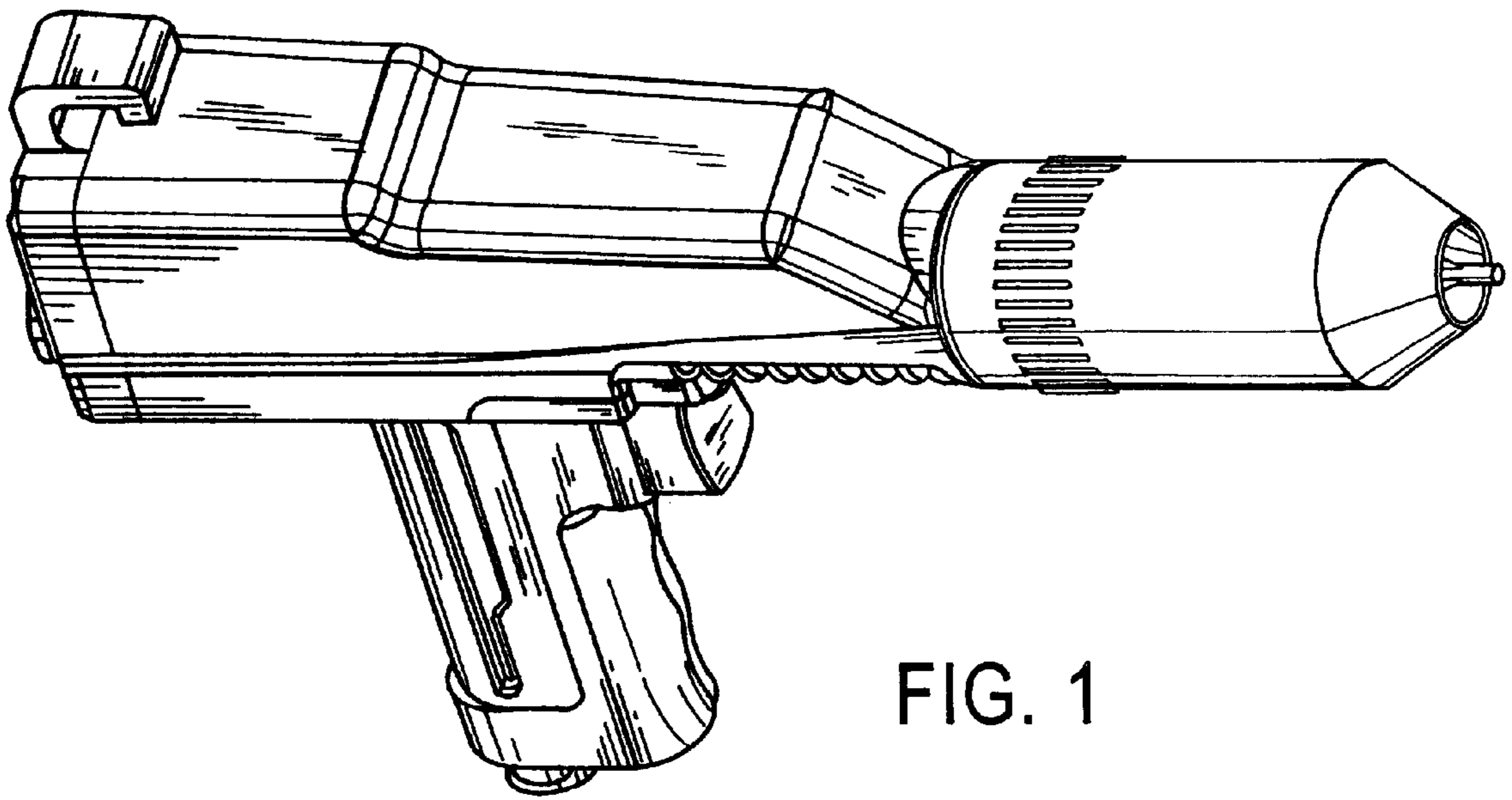


FIG. 1

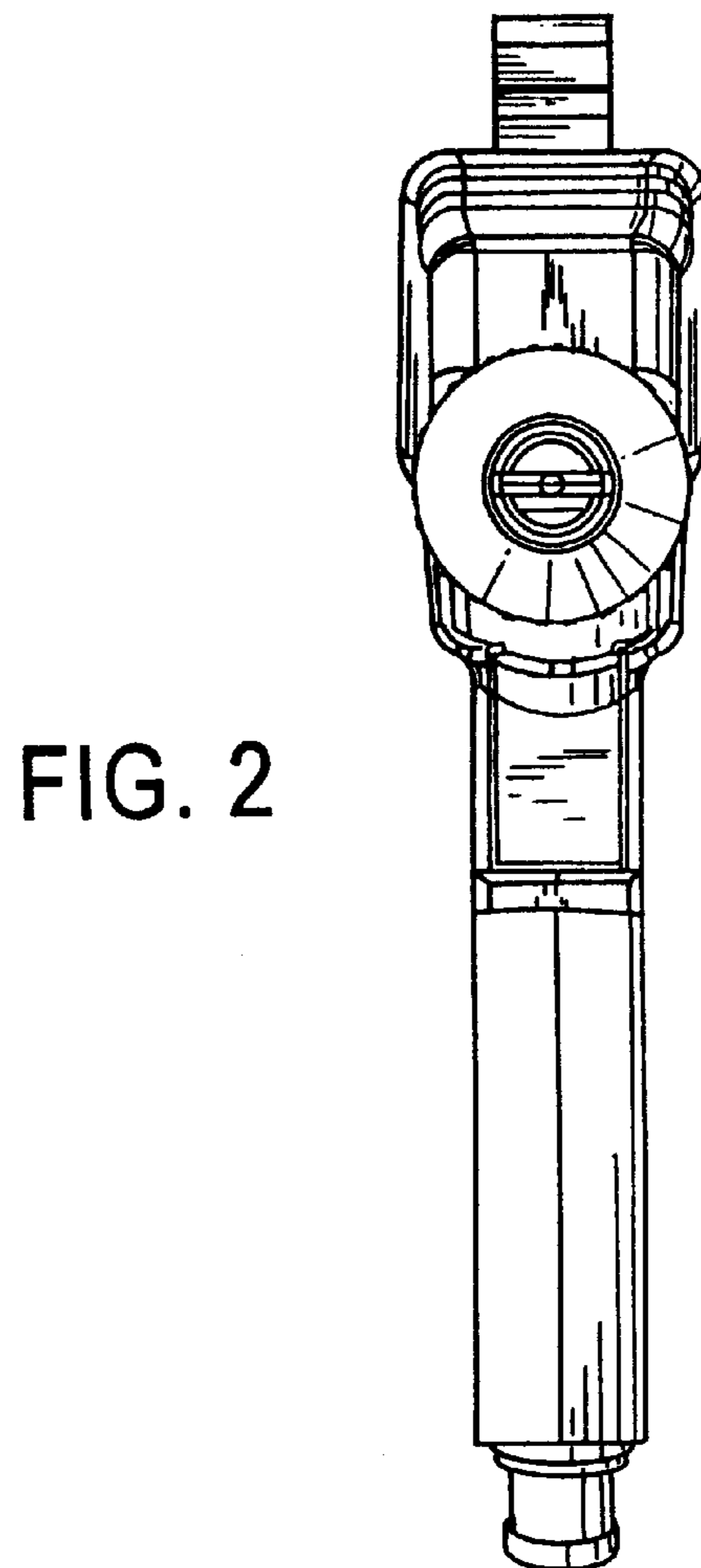


FIG. 2

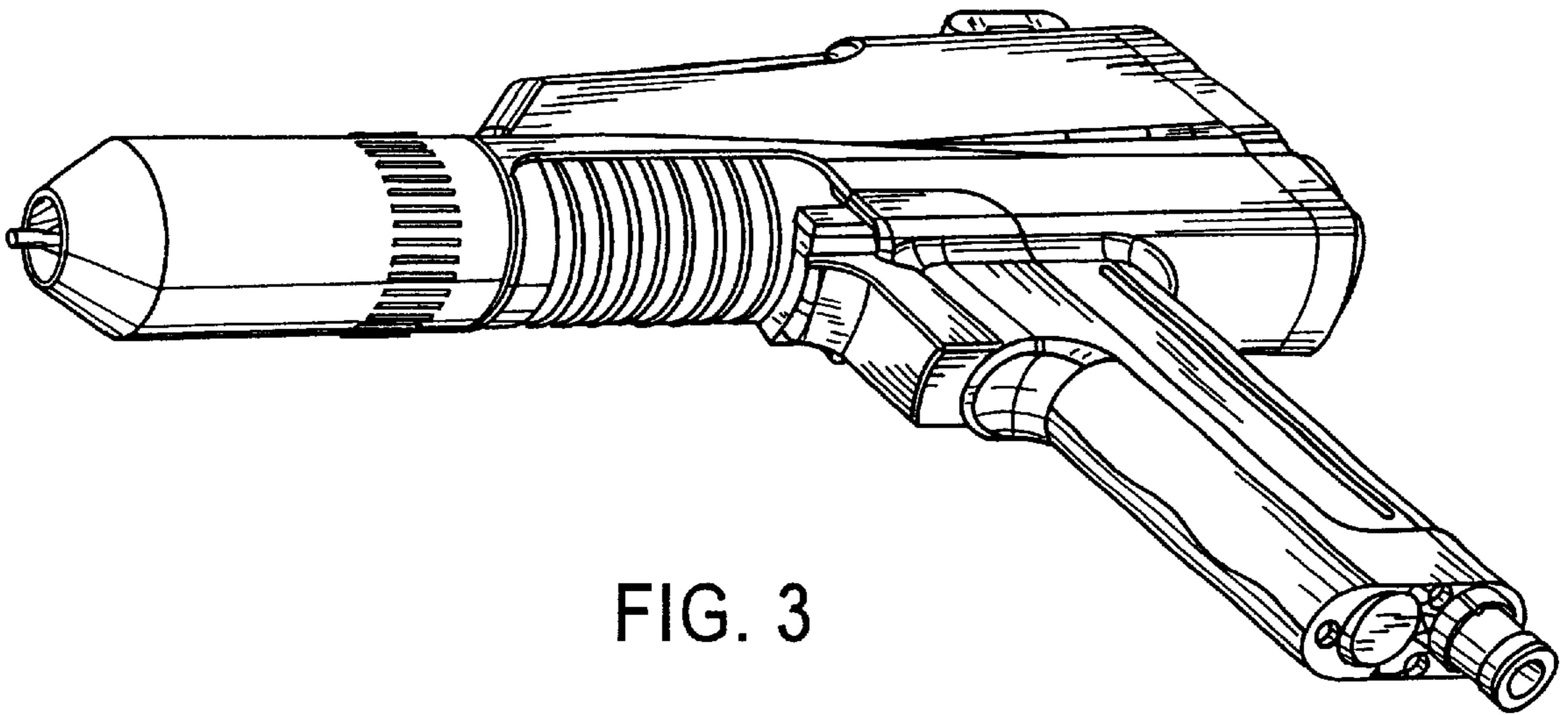


FIG. 3

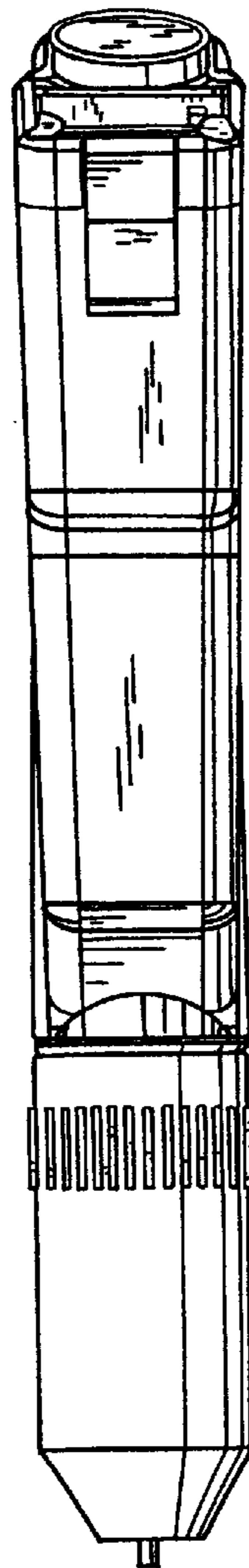


FIG. 4

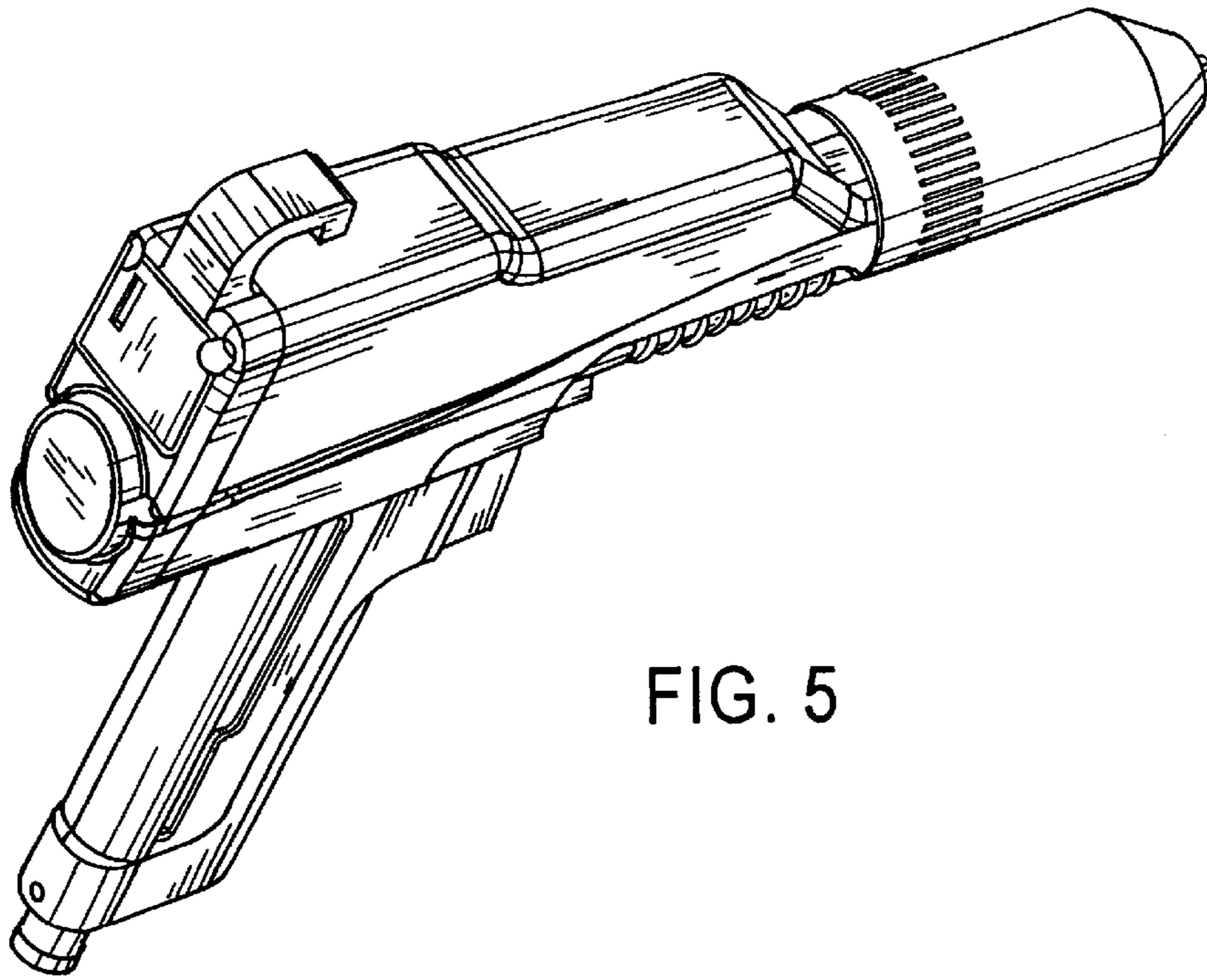


FIG. 5

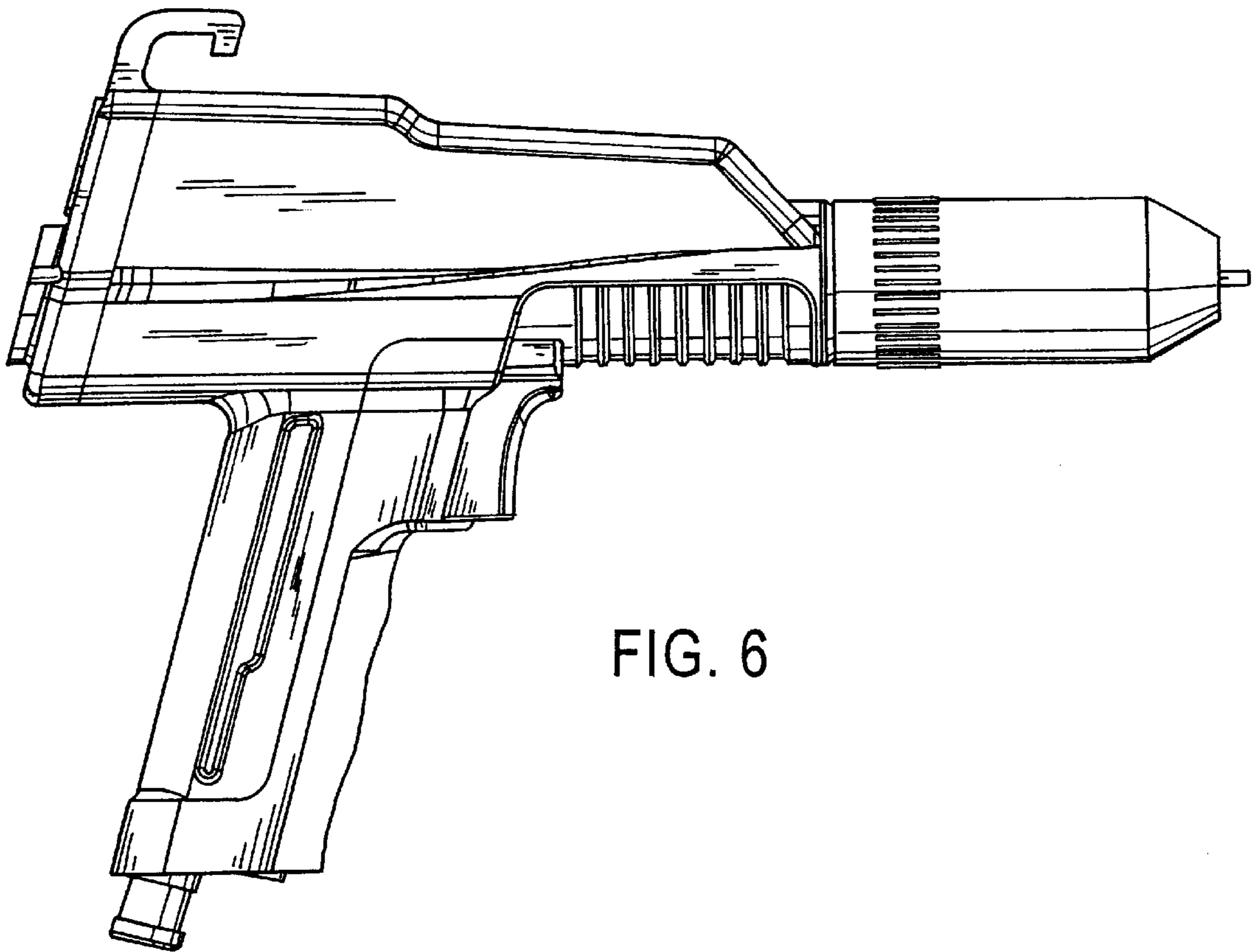


FIG. 6