



US00D441831S

(12) **United States Design Patent**  
**Heren et al.**

(10) **Patent No.:** **US D441,831 S**

(45) **Date of Patent:** **\*\* May 8, 2001**

(54) **LOCOMOTIVE TRAVELER**

D. 381,708 \* 7/1997 Petersson ..... D21/541  
D. 391,625 \* 3/1998 Sabatta ..... D23/220

(75) Inventors: **Lawrence P. Heren**, East Peoria, IL  
(US); **David L. Hunt**, Cincinnati, OH  
(US); **Joyce Thomas**, Lexington, IL  
(US)

\* cited by examiner

*Primary Examiner*—Robin V. Taylor  
(74) *Attorney, Agent, or Firm*—Mayer, Brown & Platt

(73) Assignee: **L. R. Nelson Corporation**, Peoria, IL  
(US)

(57) **CLAIM**

(\*\*) Term: **14 Years**

The ornamental design for a locomotive traveler, as shown and described.

(21) Appl. No.: **29/124,445**

**DESCRIPTION**

(22) Filed: **Jun. 6, 2000**

(51) **LOC (7) Cl.** ..... **23-01**

(52) **U.S. Cl.** ..... **D23/215**

(58) **Field of Search** ..... D23/213–215,  
D23/219, 220; 239/211; D12/38; D21/541

FIG. 1 is a isometric view thereof;  
FIG. 2 is a top plan view thereof;  
FIG. 3 is a bottom plan view thereof,  
FIG. 4 is a front elevational view showing my new design;  
FIG. 5 is a right side elevational view thereof,  
FIG. 6 is a left side elevational view thereof; and,  
FIG. 7 is a rear elevational view thereof.

(56) **References Cited**

**U.S. PATENT DOCUMENTS**

D. 202,863 \* 11/1965 Turner ..... D23/220

**1 Claim, 7 Drawing Sheets**

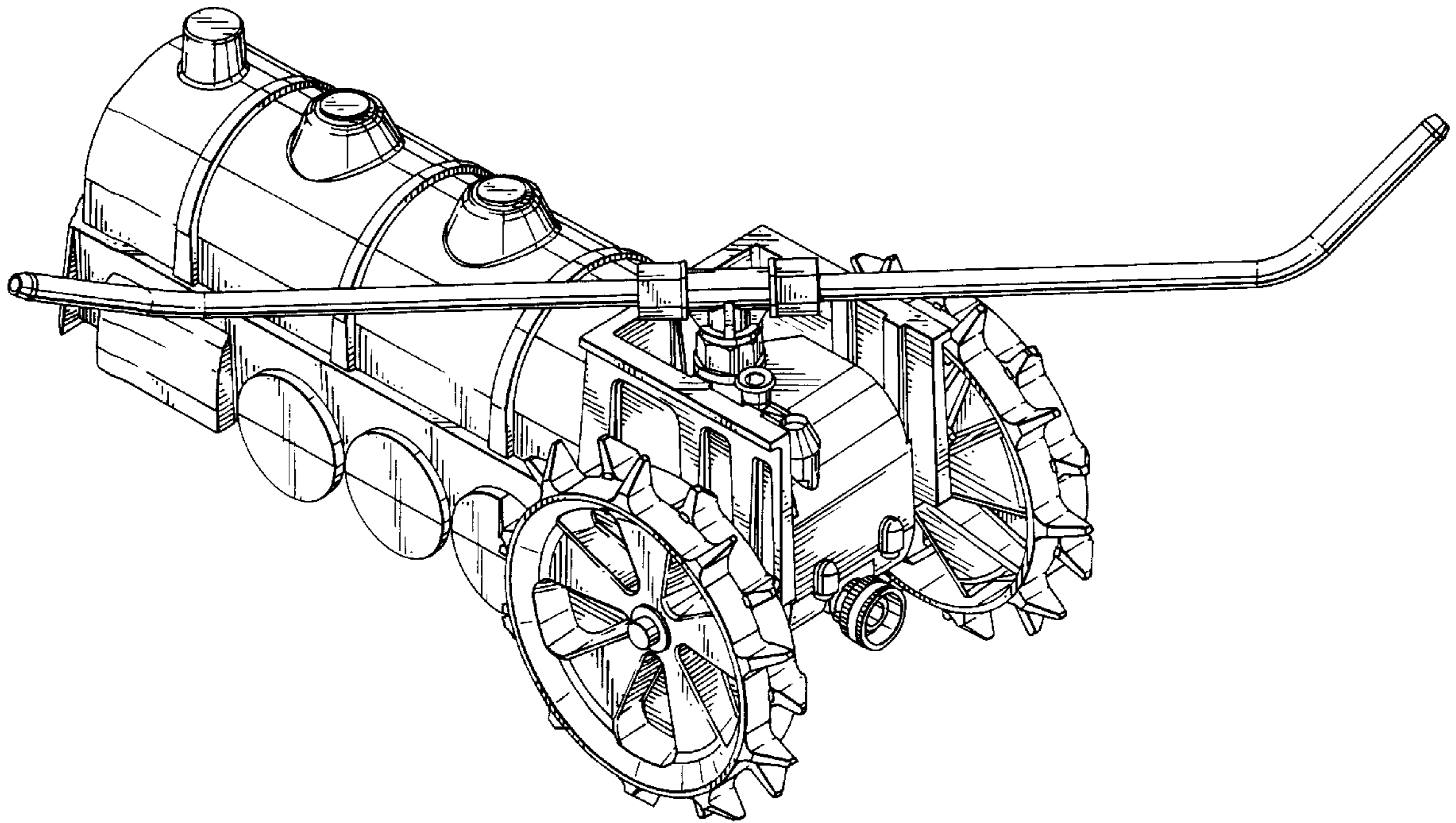


FIG. 1

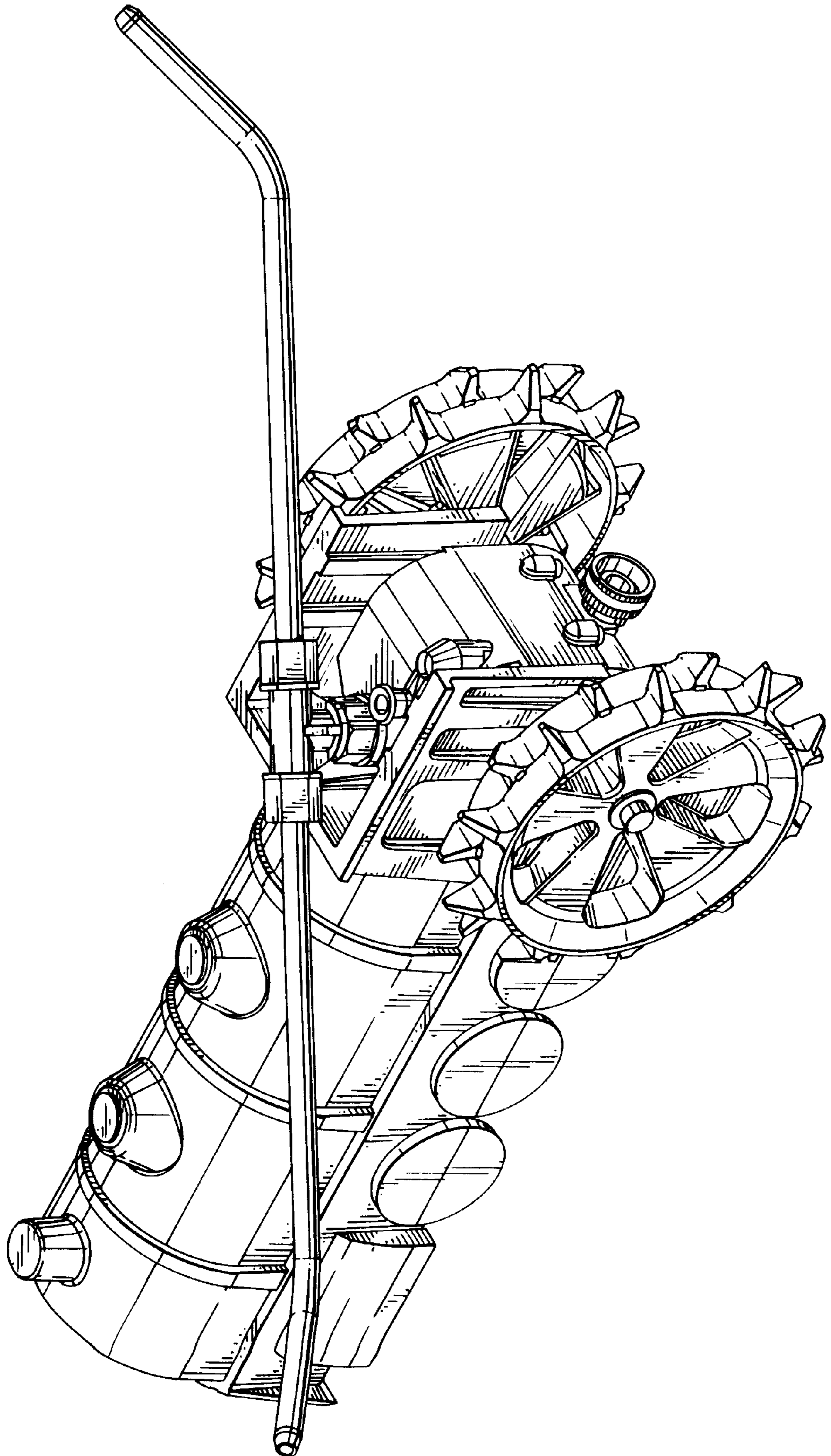


FIG. 2

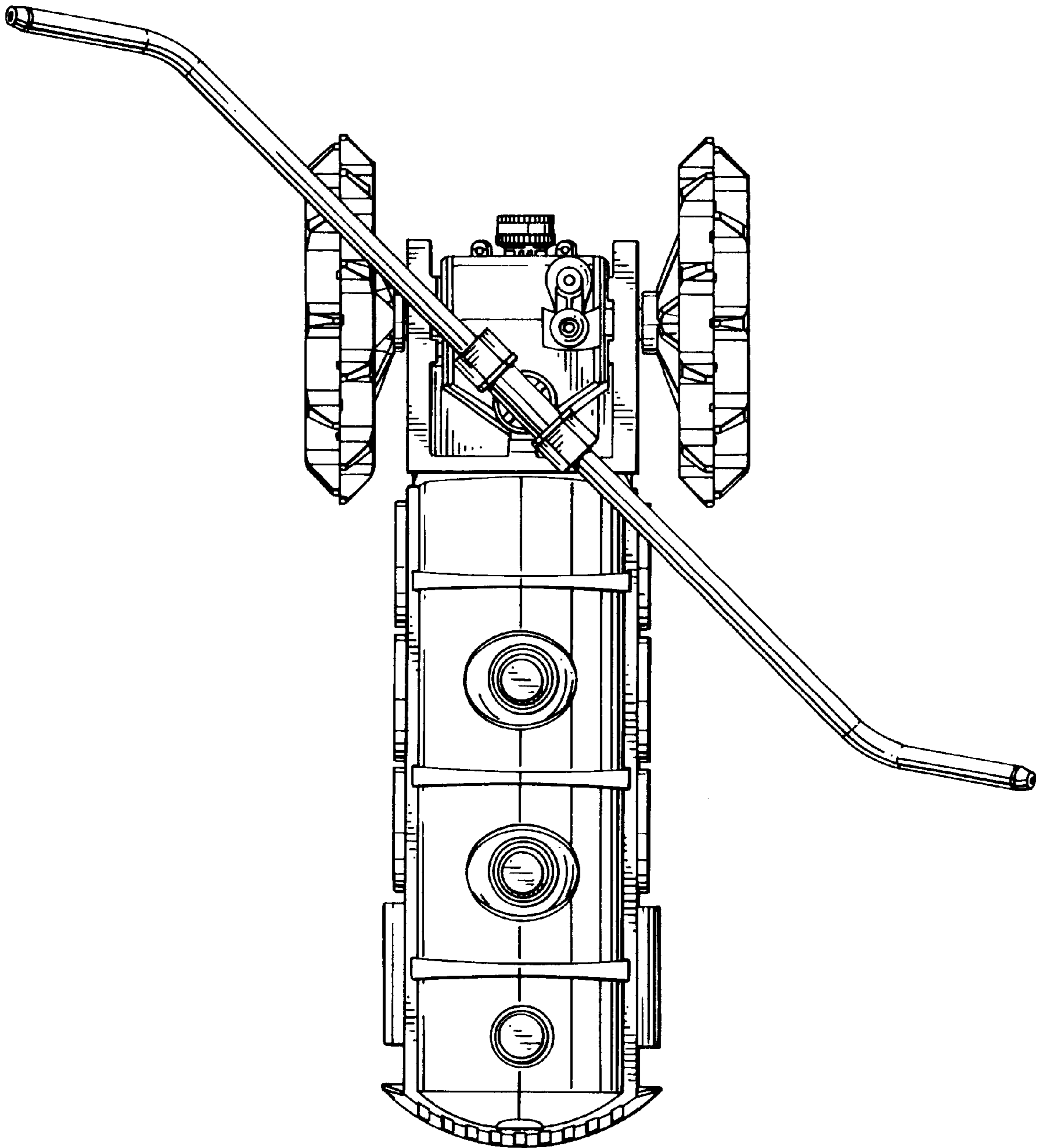




FIG. 3

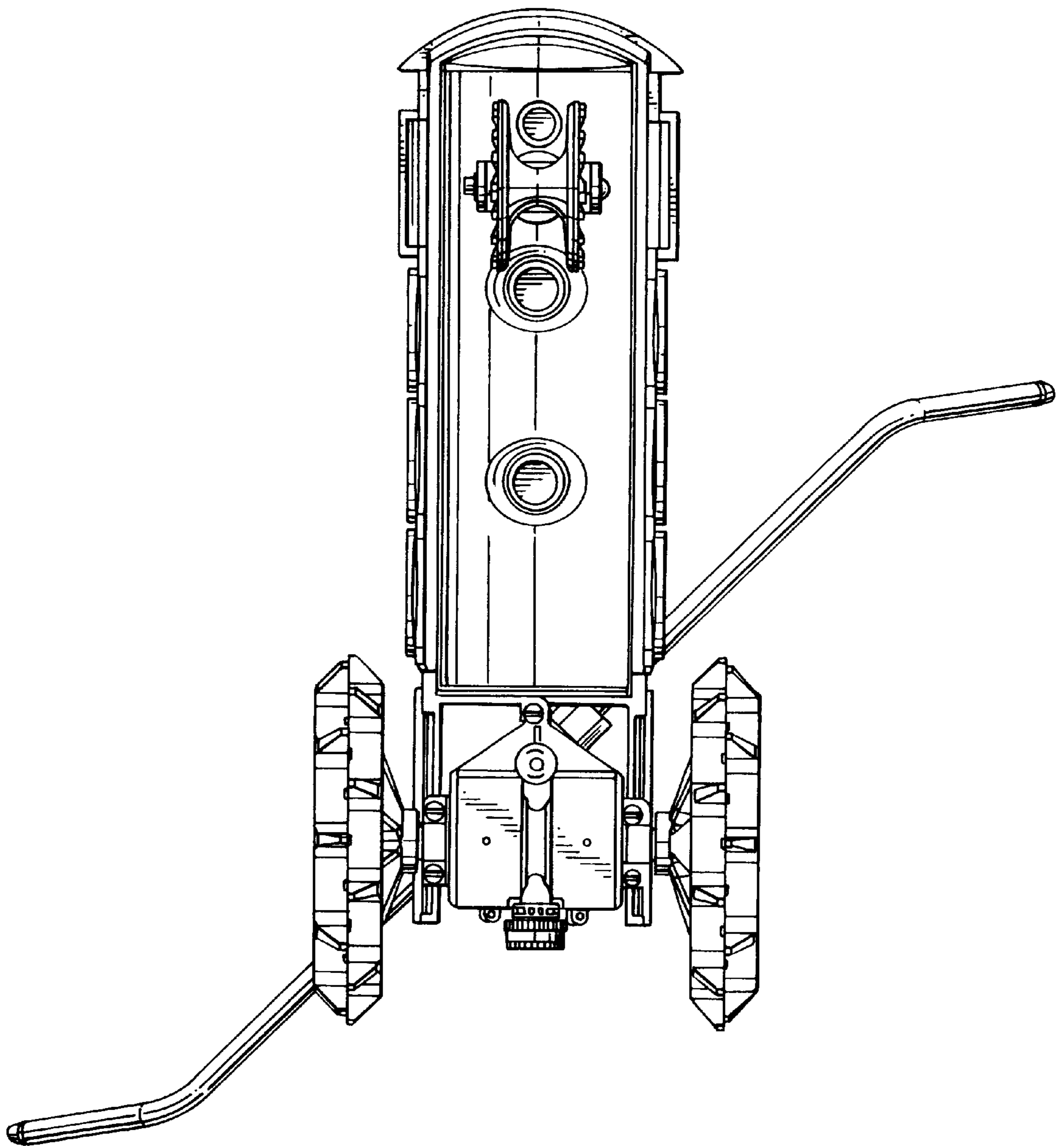


FIG. 4

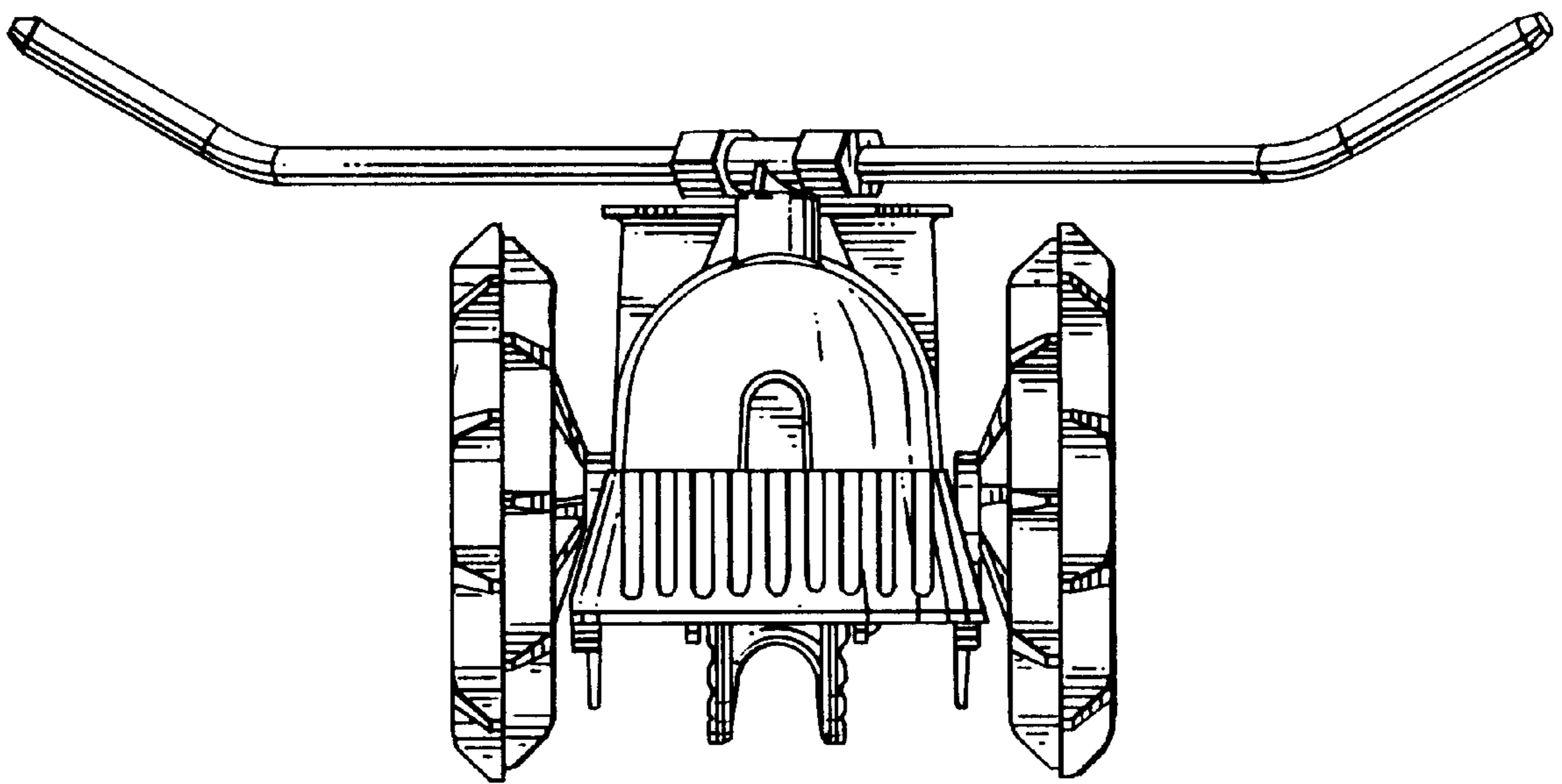


FIG. 5

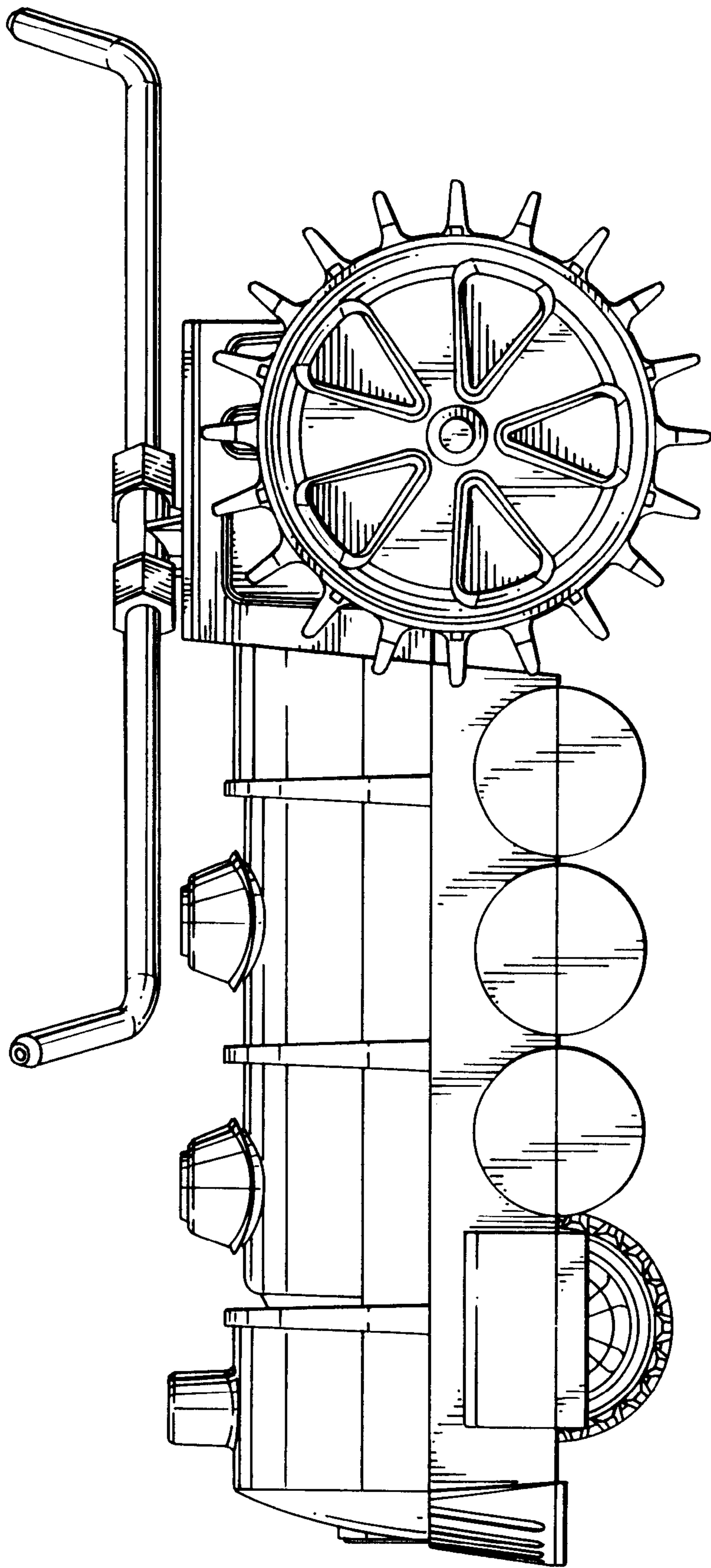


FIG. 6

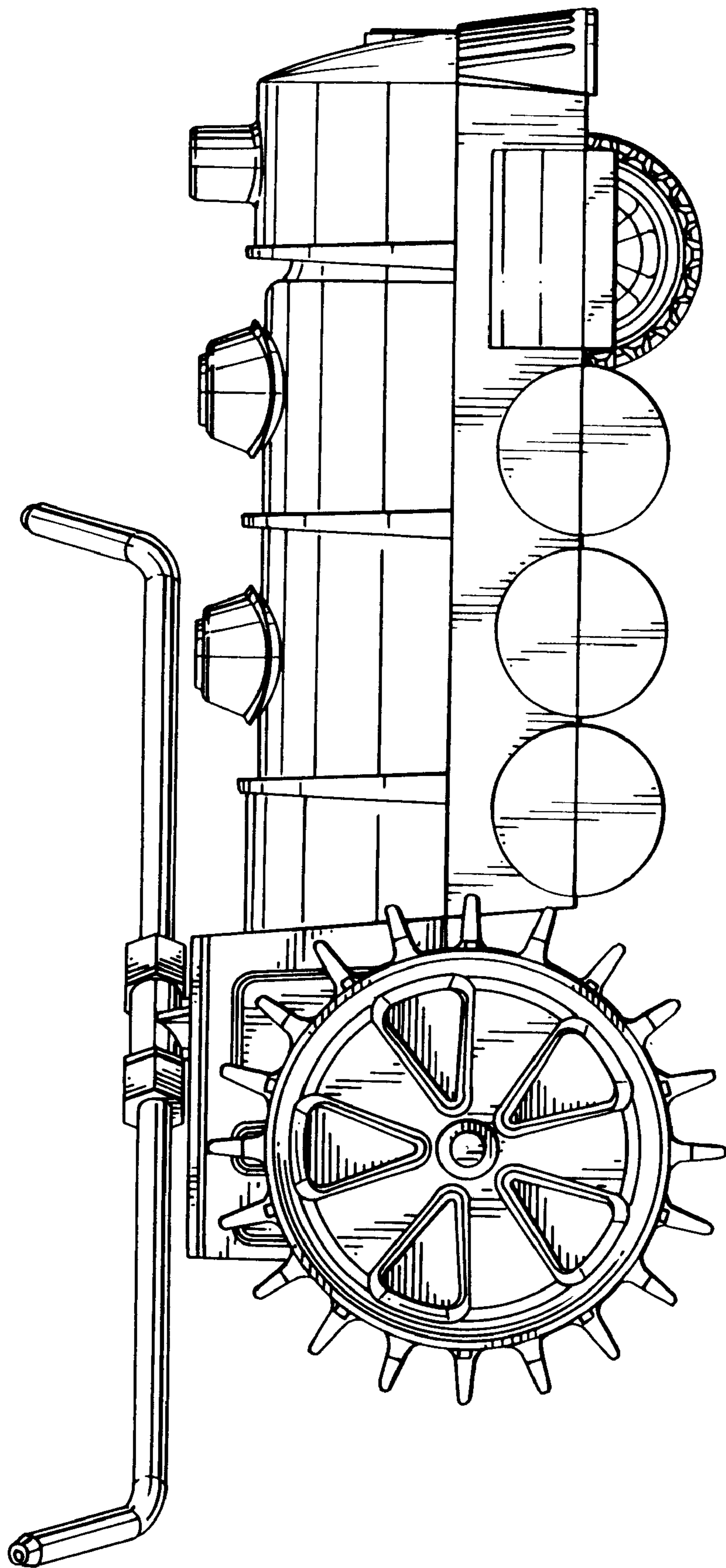


FIG. 7

