



US00D441830S

(12) **United States Design Patent**
Wolter, Jr.

(10) **Patent No.:** **US D441,830 S**

(45) **Date of Patent:** **** May 8, 2001**

(54) **BASE FOR A SPRINKLER**

5,273,214 * 12/1993 Huffstutler 239/279

(75) Inventor: **Robert B. Wolter, Jr.**, Rowayton, CT (US)

* cited by examiner

(73) Assignee: **Wren Garden Products, Inc.**, South Norwalk, CT (US)

Primary Examiner—Robin V. Taylor

(74) *Attorney, Agent, or Firm*—Ware, Fressola, Van der Sluys & Adolphson LLP

(**) Term: **14 Years**

(57) **CLAIM**

(21) Appl. No.: **29/119,880**

I claim the ornamental design for a base for a sprinkler, as shown and described.

(22) Filed: **Mar. 8, 2000**

DESCRIPTION

(51) **LOC (7) Cl.** **23-01**

(52) **U.S. Cl.** **D23/214; D23/221**

(58) **Field of Search** D23/213, 214, D23/221; 239/217, 280.5, 285, 273, 276, 279

FIG. 1 is a perspective view of the invention;

FIG. 2 is a side view of the invention;

FIG. 3 is a side view of the invention rotated forty-five degrees from FIG. 2;

FIG. 4 is a top view of the invention;

FIG. 5 is a bottom view of the invention; and,

FIG. 6 is a perspective view of the invention with the sprinkler head removed.

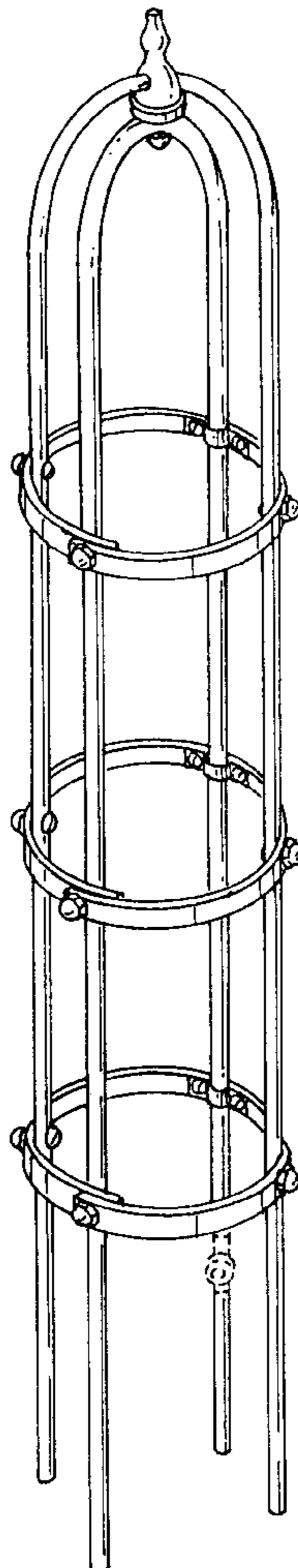
The broken lines shown in the figures are for illustrative purposes only and form no part of the claimed design.

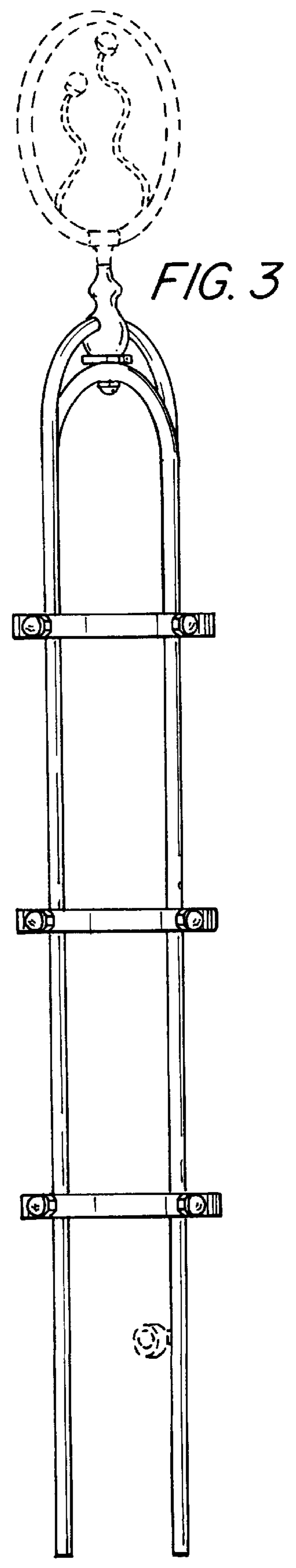
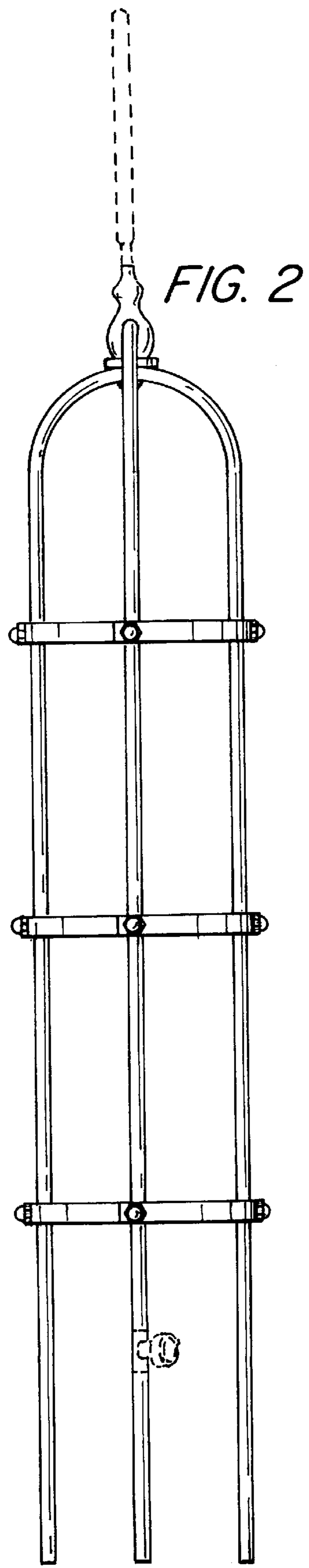
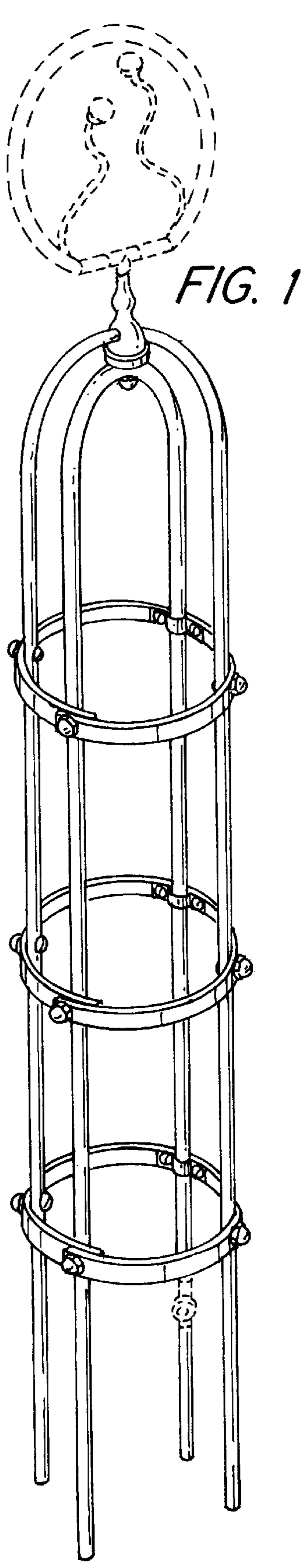
(56) **References Cited**

U.S. PATENT DOCUMENTS

- 267,689 * 11/1882 Hoak 239/17
- D. 302,458 * 7/1989 Locklair D23/221
- 1,959,886 * 5/1934 Wadsworth 239/273

1 Claim, 2 Drawing Sheets





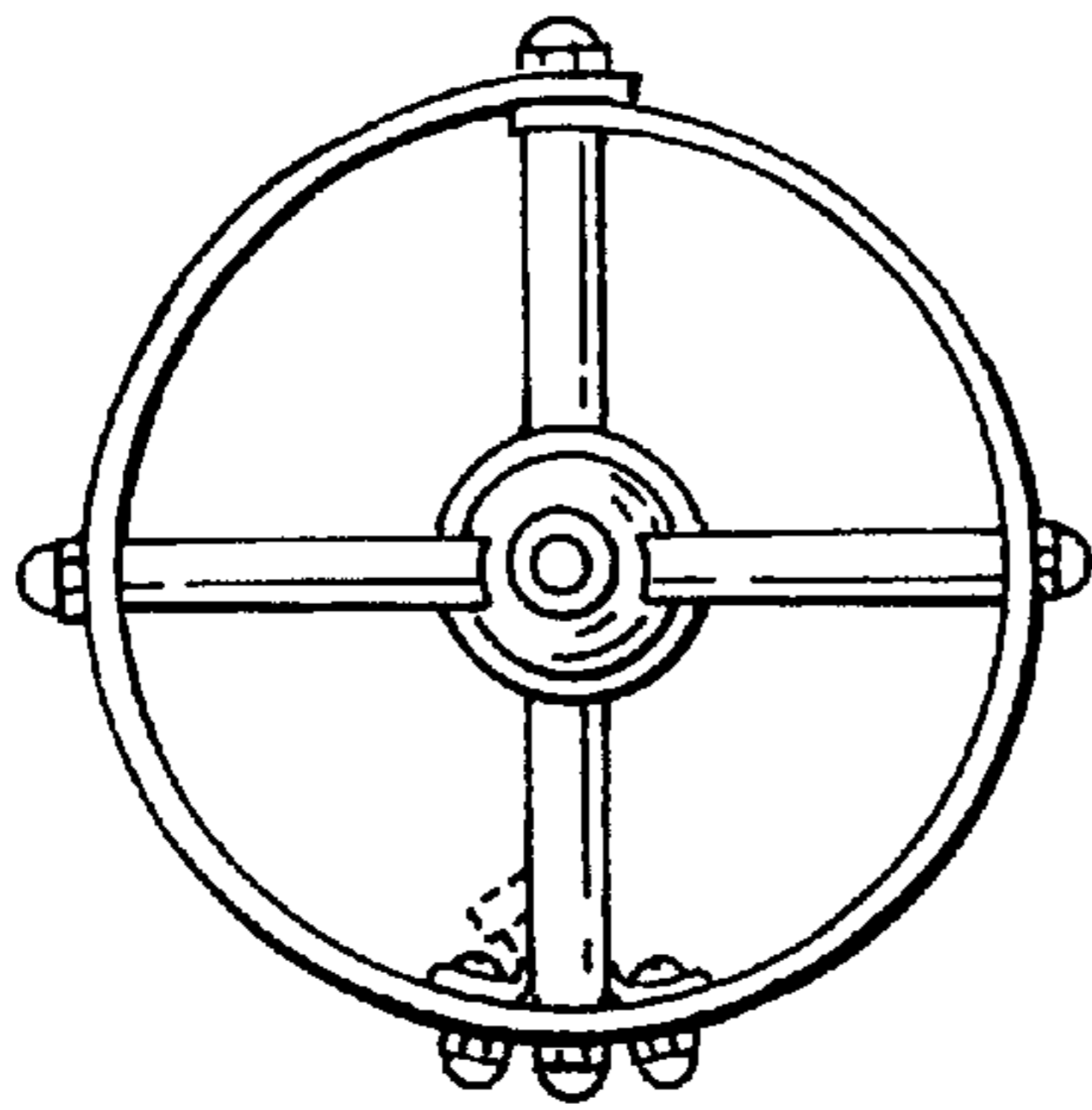


FIG. 4

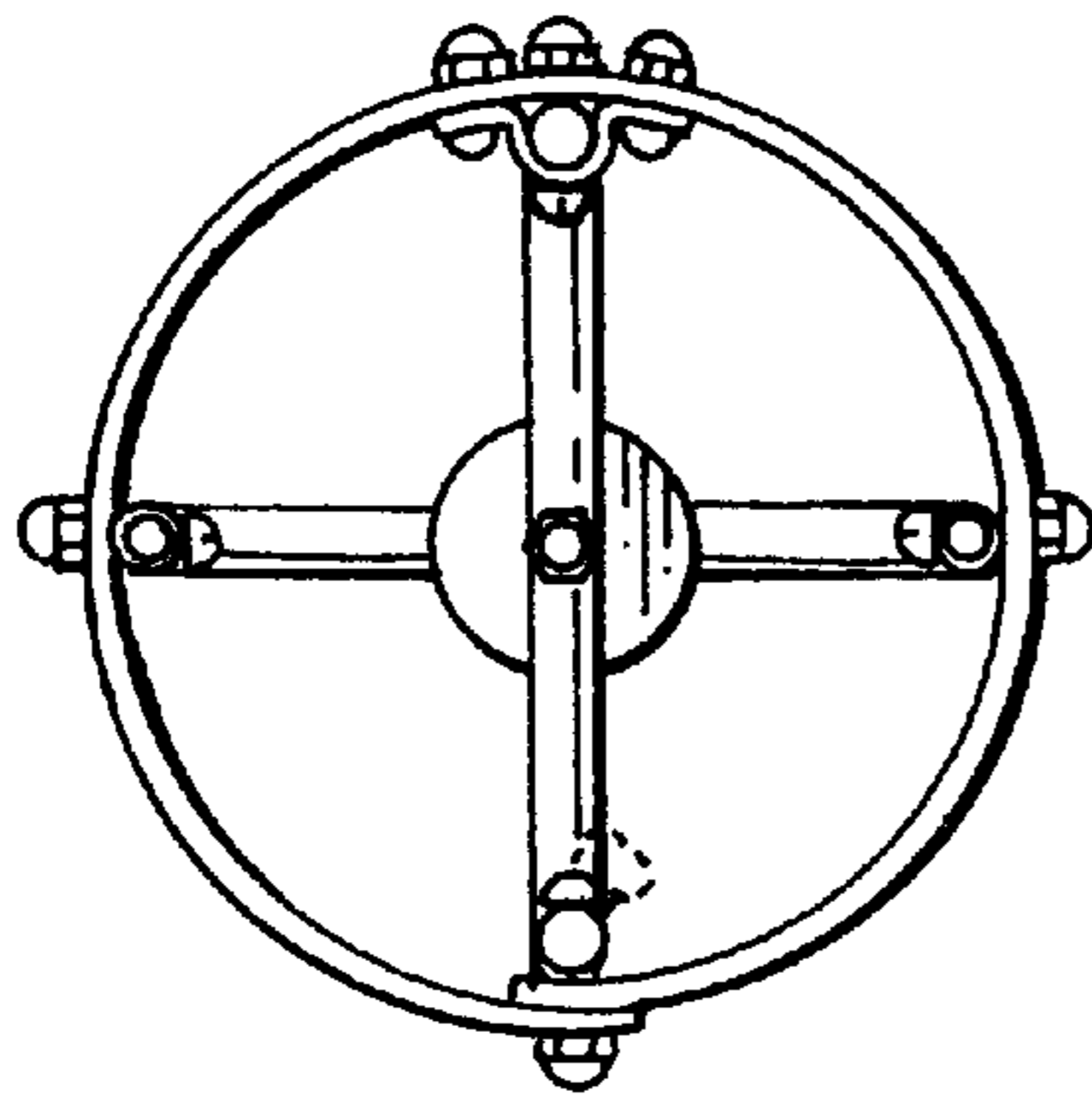


FIG. 5

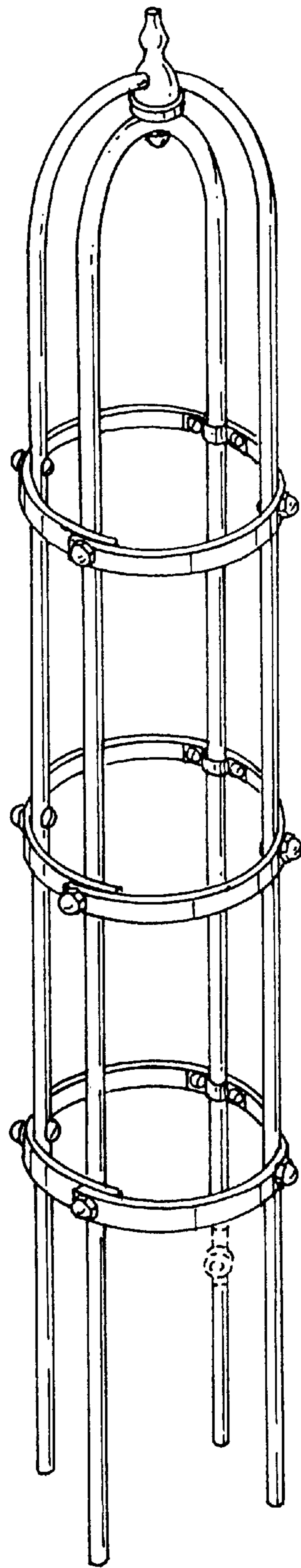


FIG. 6