



US00D441829S

(12) **United States Design Patent**
Wang

(10) **Patent No.:** **US D441,829 S**

(45) **Date of Patent:** **** May 8, 2001**

(54) **HANGING FILTER FOR AQUARIUM**

(75) Inventor: **Chiao-Ming Wang**, Taichung Hsien (TW)

(73) Assignee: **Meiko Pet Corporation**, Taichung Hsien (TW)

(**) Term: **14 Years**

(21) Appl. No.: **29/125,860**

(22) Filed: **Jul. 3, 2000**

(51) **LOC (7) Cl.** **23-01**

(52) **U.S. Cl.** **D23/210**

(58) **Field of Search** D23/209, 210;
210/416.2, 169

(56) **References Cited**

U.S. PATENT DOCUMENTS

- D. 291,720 * 9/1987 Willinger et al. D23/210
- D. 294,172 * 2/1988 Willinger D23/210
- D. 355,701 * 2/1995 Willinger et al. D23/209

4,602,996 * 7/1986 Willinger 210/169

4,842,727 * 6/1989 Willinger et al. 210/169

5,728,293 * 3/1998 Guoli et al. 210/416.2

6,106,709 * 8/2000 Bresolin 210/169

* cited by examiner

Primary Examiner—Robin V. Taylor

(74) *Attorney, Agent, or Firm*—Rosenberg, Klein & Lee

(57) **CLAIM**

The ornamental design for a hanging filter for aquarium, as shown and described.

DESCRIPTION

FIG. 1 is a perspective view of hanging filter for aquarium showing my new design;

FIG. 2 is a front elevation view thereof;

FIG. 3 is a rear elevation view thereof;

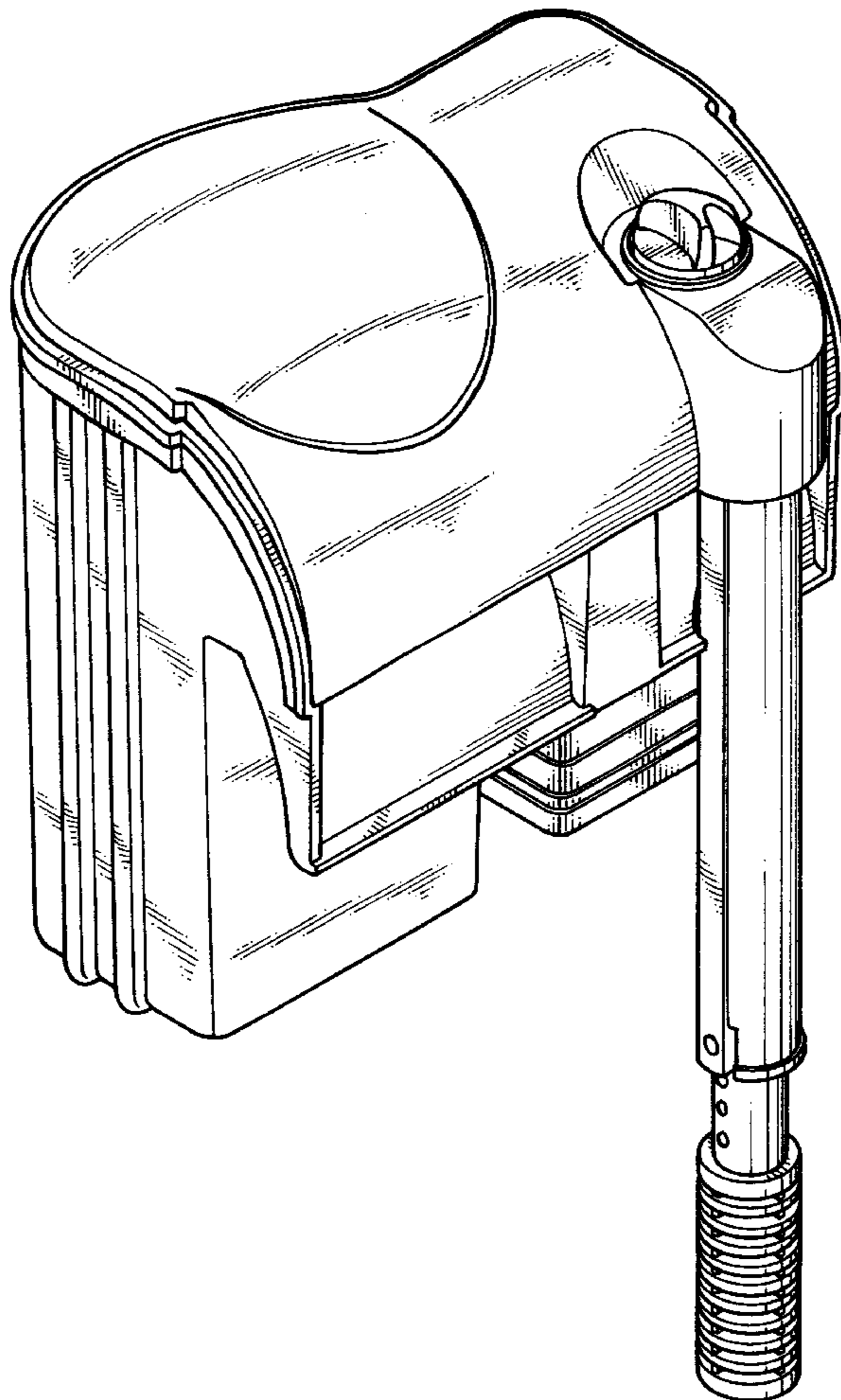
FIG. 4 is a left side elevation view thereof;

FIG. 5 is a right side elevation view thereof;

FIG. 6 is a top plan view thereof; and,

FIG. 7 is a bottom plan view thereof.

1 Claim, 4 Drawing Sheets



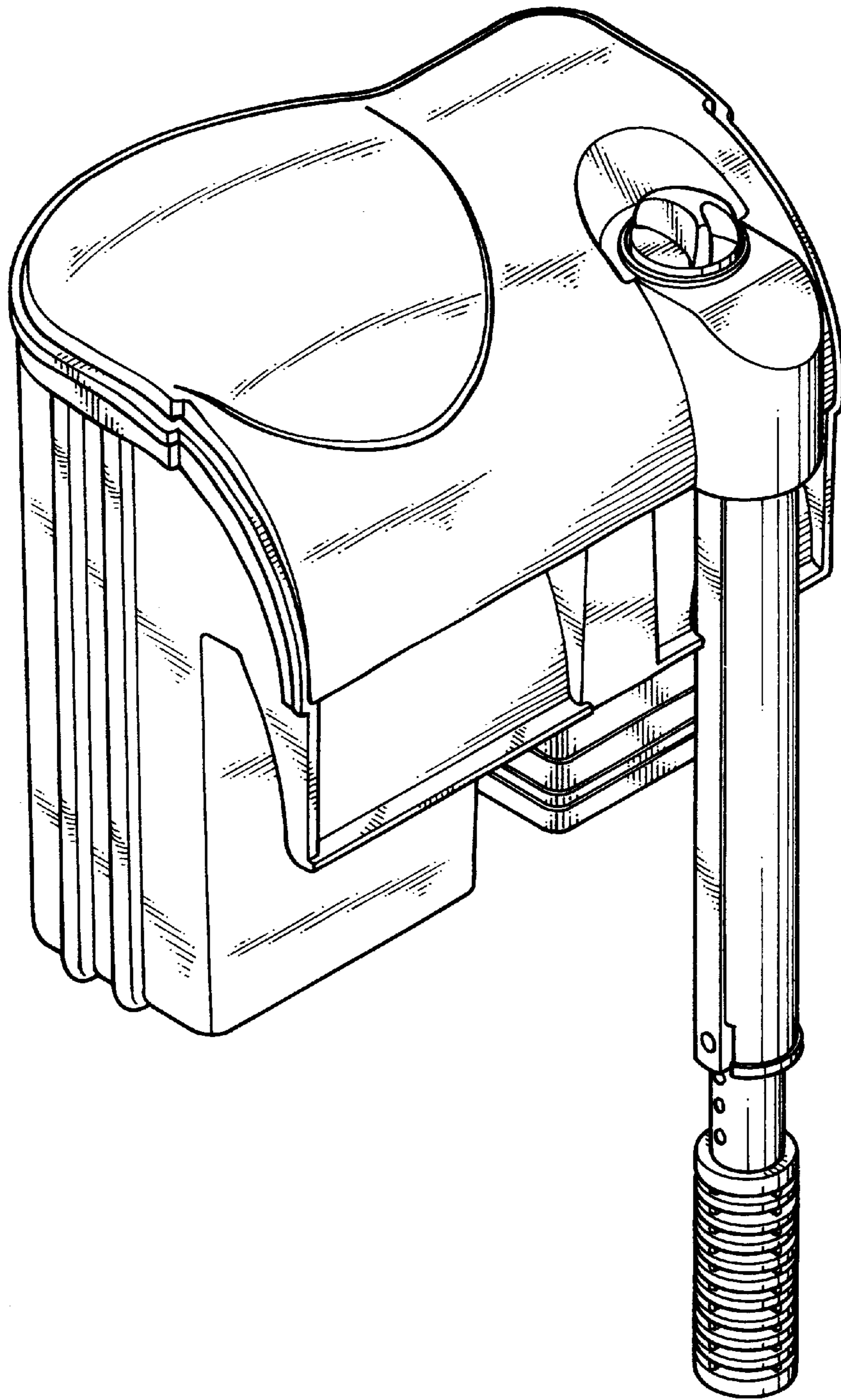


FIG. 1

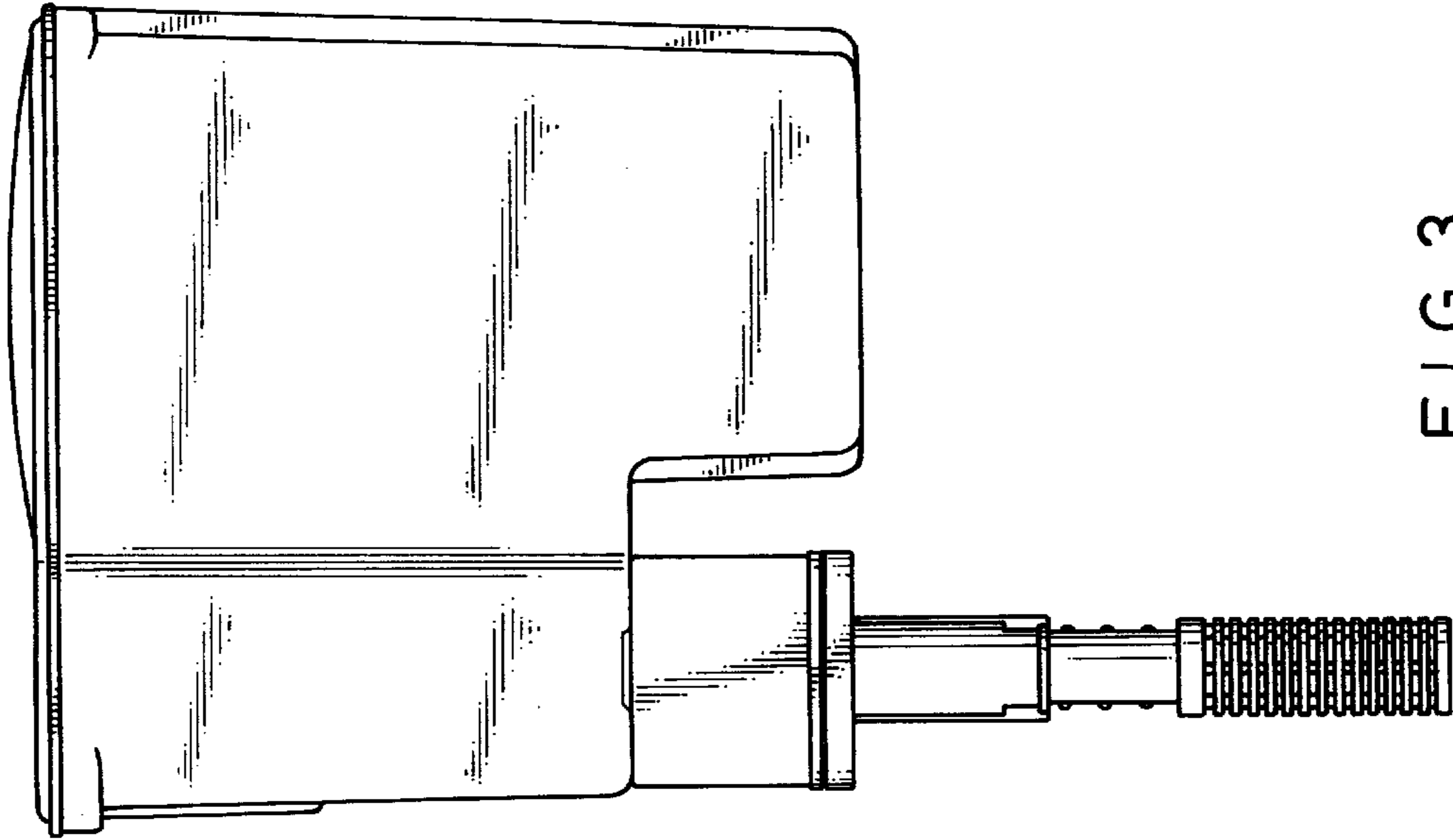


FIG. 3

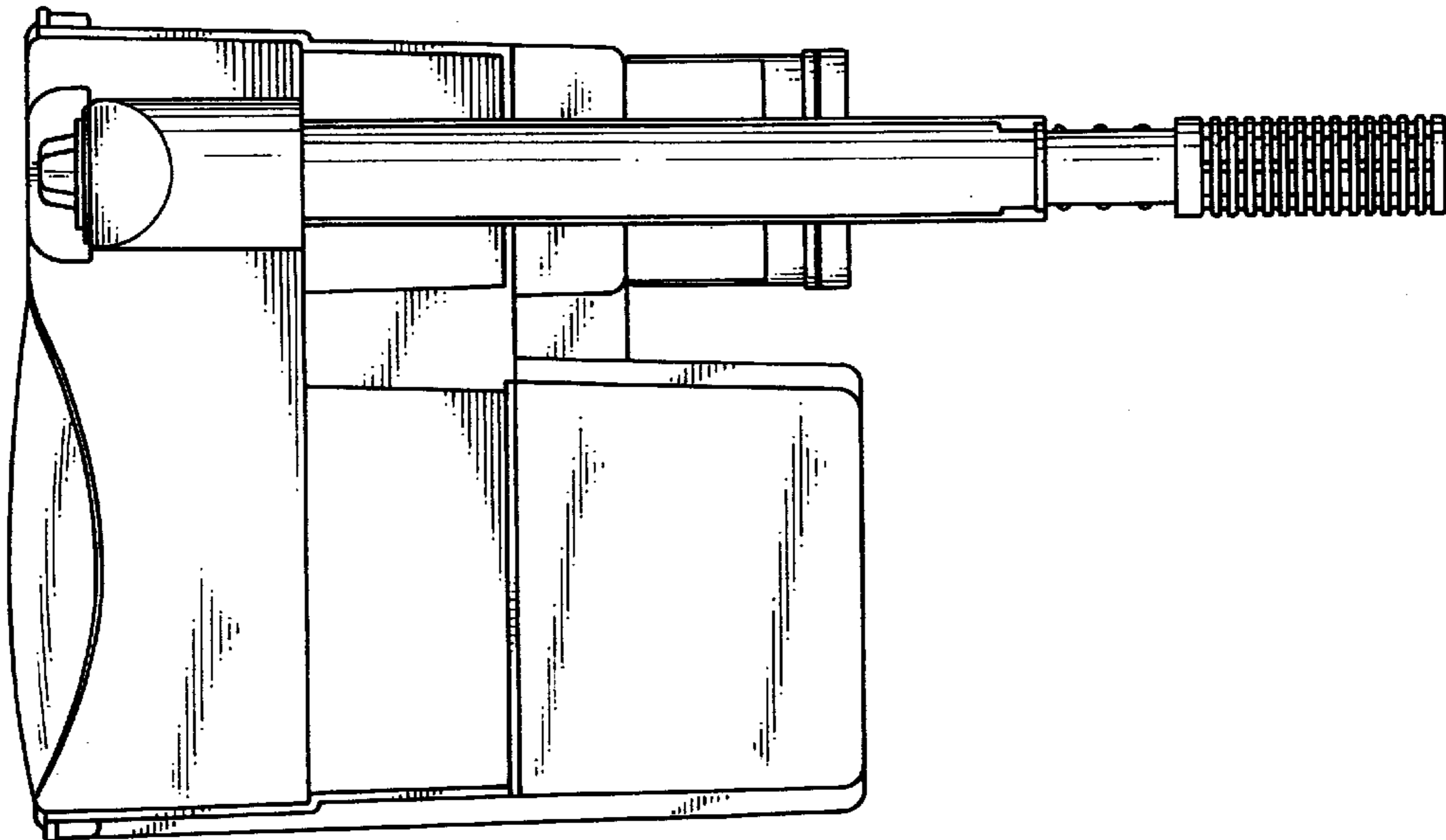


FIG. 2

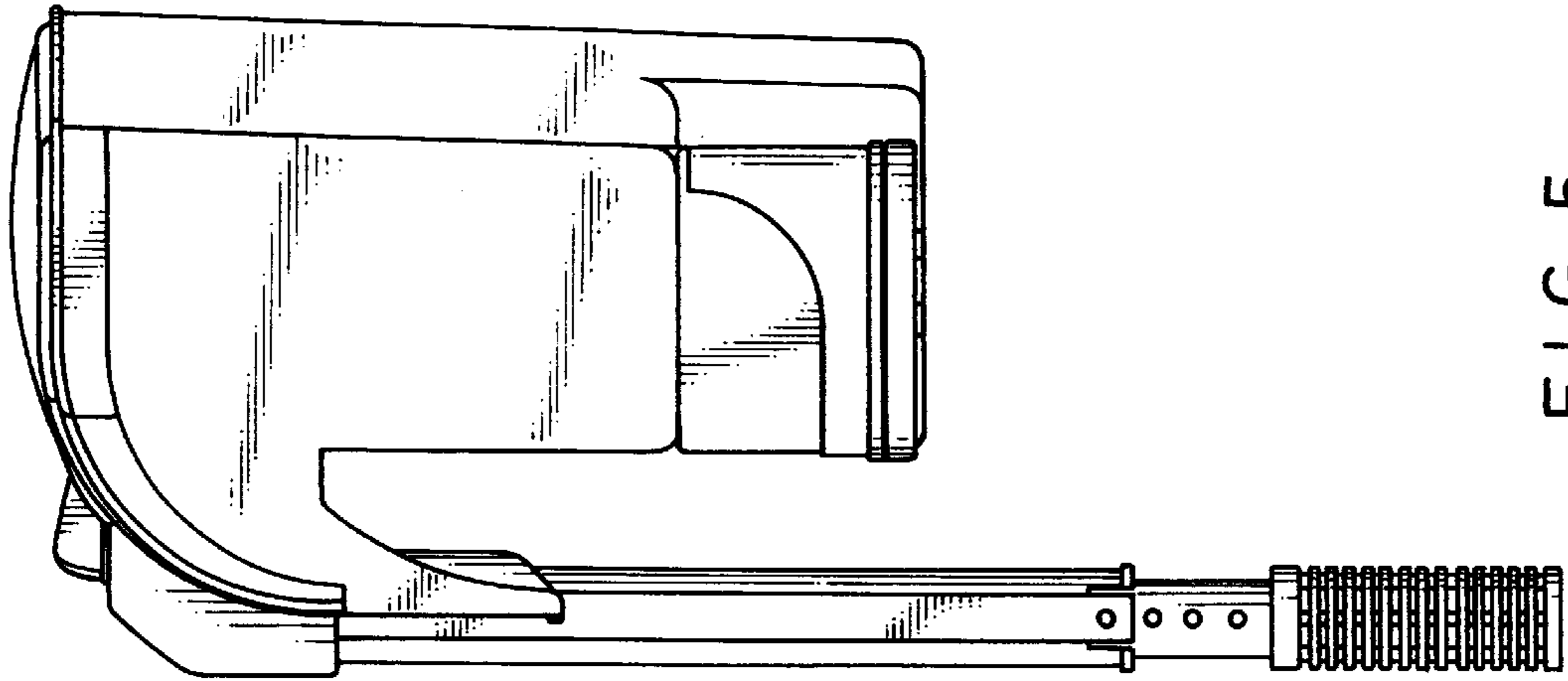


FIG. 5

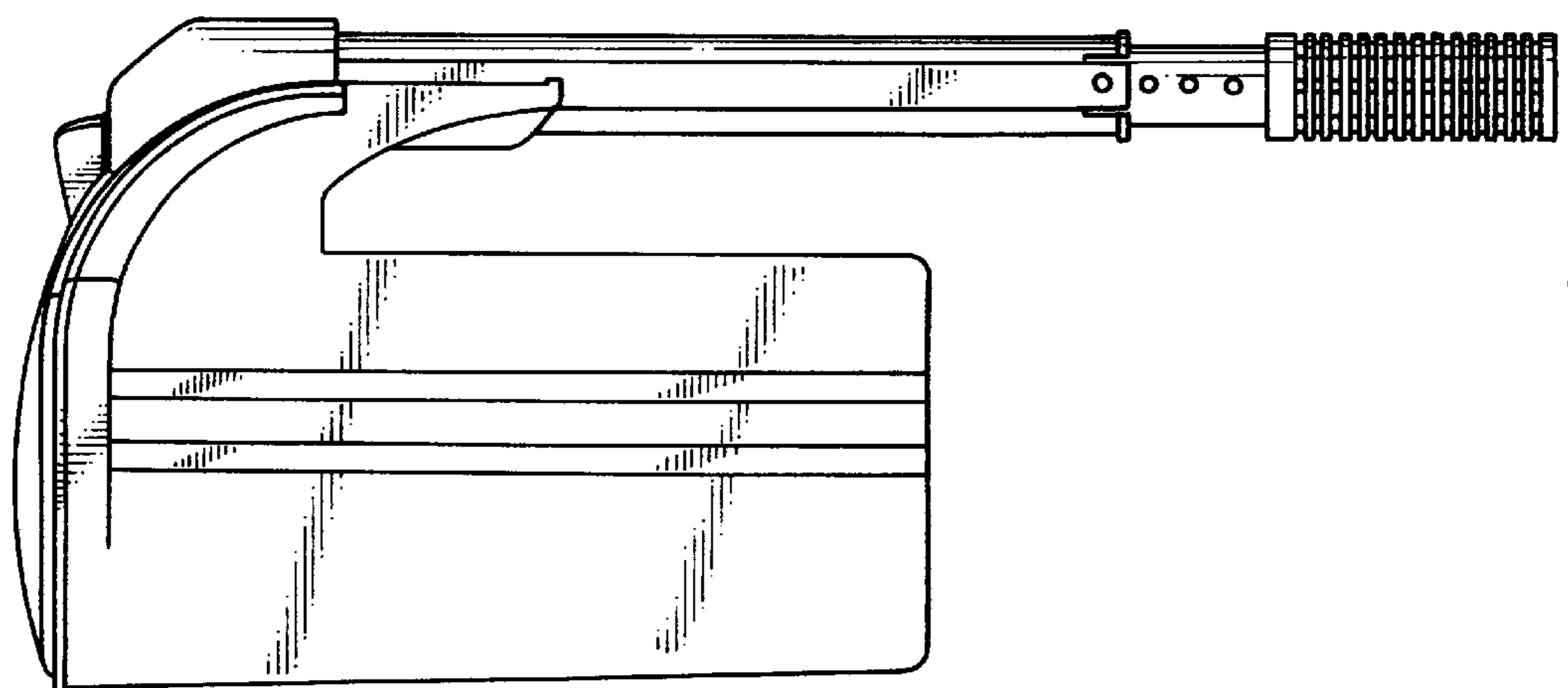


FIG. 4

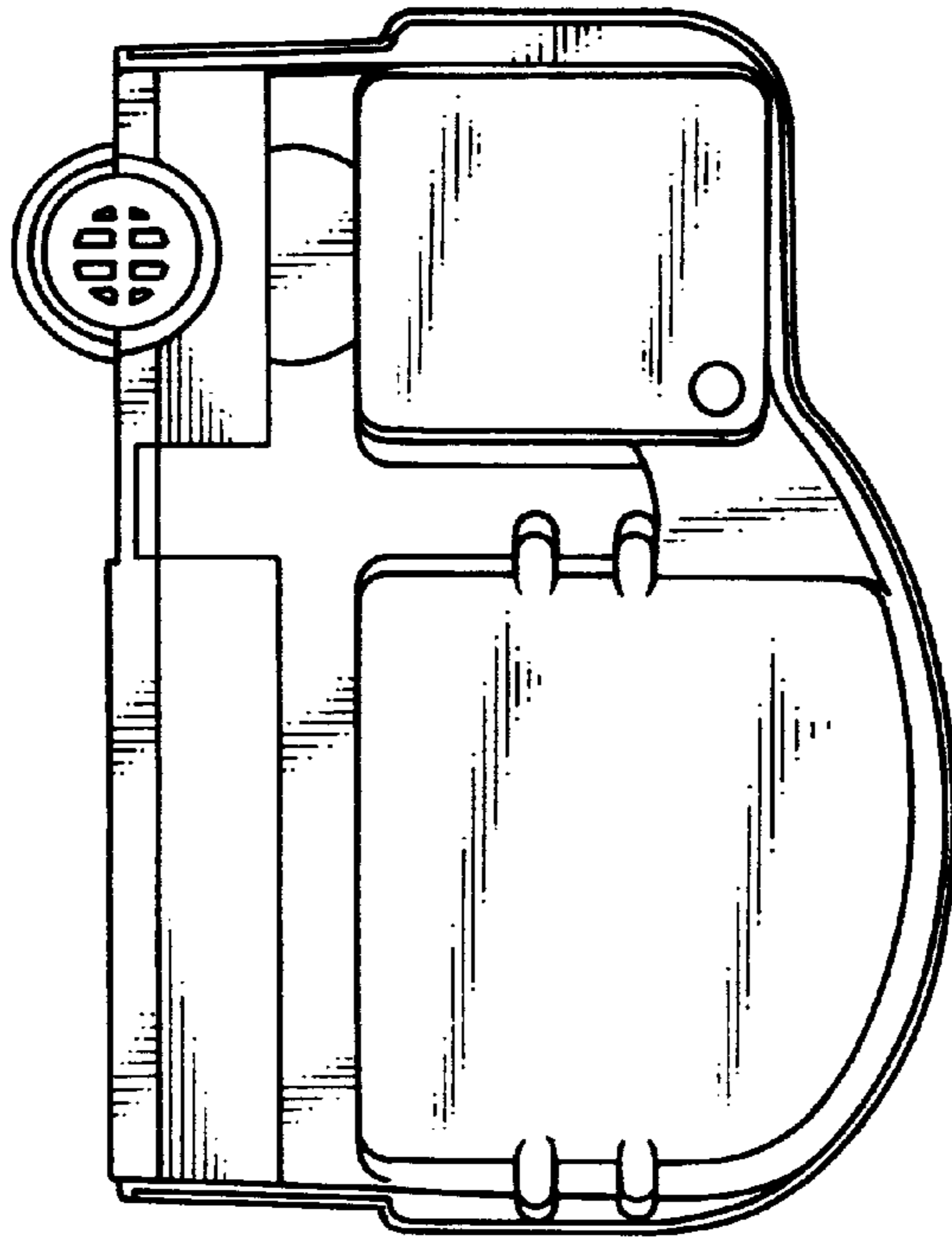


FIG. 7

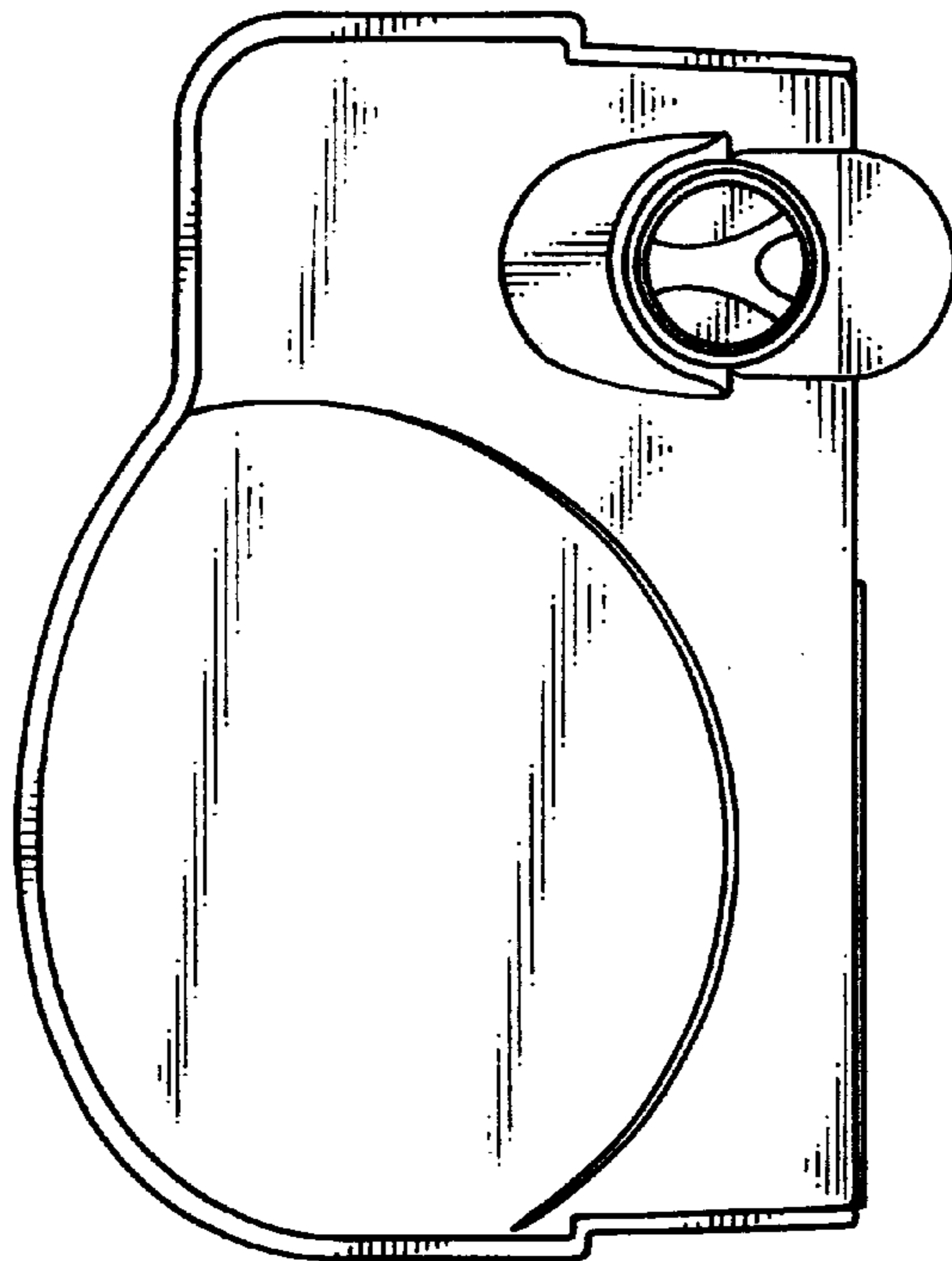


FIG. 6