



US00D441828S

(12) **United States Design Patent**  
**Leyerle et al.**

(10) **Patent No.:** **US D441,828 S**

(45) **Date of Patent:** **\*\* May 8, 2001**

(54) **RODENT TRAP**

(75) Inventors: **Rick Leyerle**, Madison; **Scott J. Collins**, Brown Deer; **James R. Walsh**, Wauwatosa, all of WI (US)

(73) Assignee: **Bell Laboratories, Inc.**, Madison, WI (US)

(\*\*) Term: **14 Years**

(21) Appl. No.: **29/113,430**

(22) Filed: **Nov. 4, 1999**

(51) **LOC (7) Cl.** ..... **22-06**

(52) **U.S. Cl.** ..... **D22/119**

(58) **Field of Search** ..... D22/119, 199; 43/81, 81.5, 82, 83, 61; D19/65; 24/510, 545, 67

(56) **References Cited**

**U.S. PATENT DOCUMENTS**

D. 297,555	*	9/1988	Holmberg	.....	D22/119
D. 320,833	*	10/1991	Lumsden	.....	D22/119
D. 323,016		1/1992	Vajs	.....	D22/119
D. 406,171	*	2/1999	Wolff	.....	D19/65
1,080,623		12/1913	Brorby	.	
1,422,049		7/1922	Gould	.	
1,630,241		5/1927	Mountford	.	
1,798,541	*	3/1931	Kleffman	.....	43/81
2,068,492		1/1937	Johnson	.	
2,138,092		11/1938	Evans	.	

2,174,929		10/1939	Slutz	.	
2,525,010		10/1950	Allison	.	
2,574,322		11/1951	Fitzsimons	.	
2,724,209		11/1955	Cain	.	
4,232,472	*	11/1980	Muelling	.....	43/61
4,578,893		4/1986	Wickenberg	.	
4,665,644		5/1987	Vajs et al.	.	
4,803,799		2/1989	Vajs et al.	.	
5,337,512	*	8/1994	Krenzler	.....	43/82

\* cited by examiner

*Primary Examiner*—Louis S. Zarfaz

*Assistant Examiner*—Catherine R. Oliver

(74) *Attorney, Agent, or Firm*—Lathrop & Clark LLP

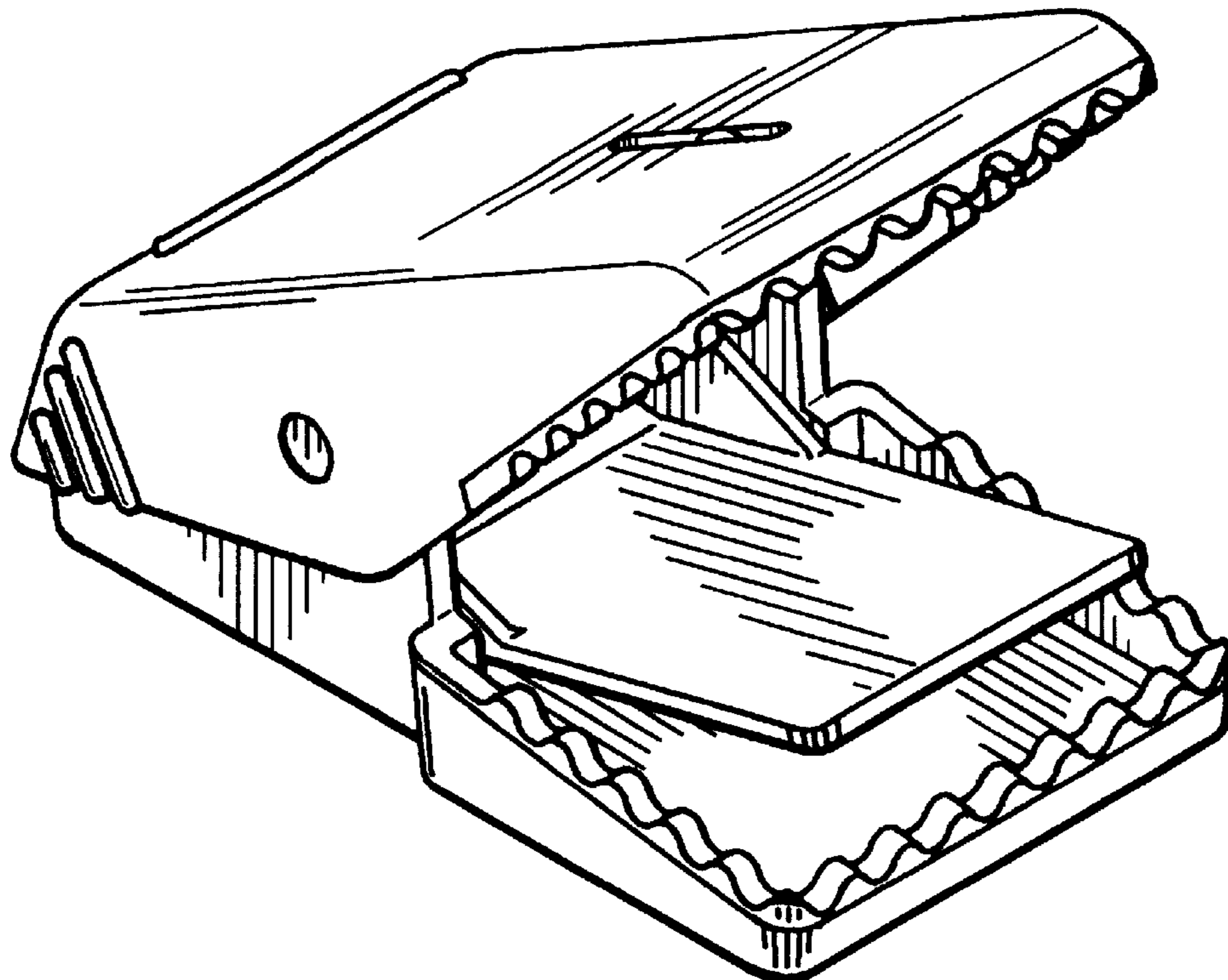
(57) **CLAIM**

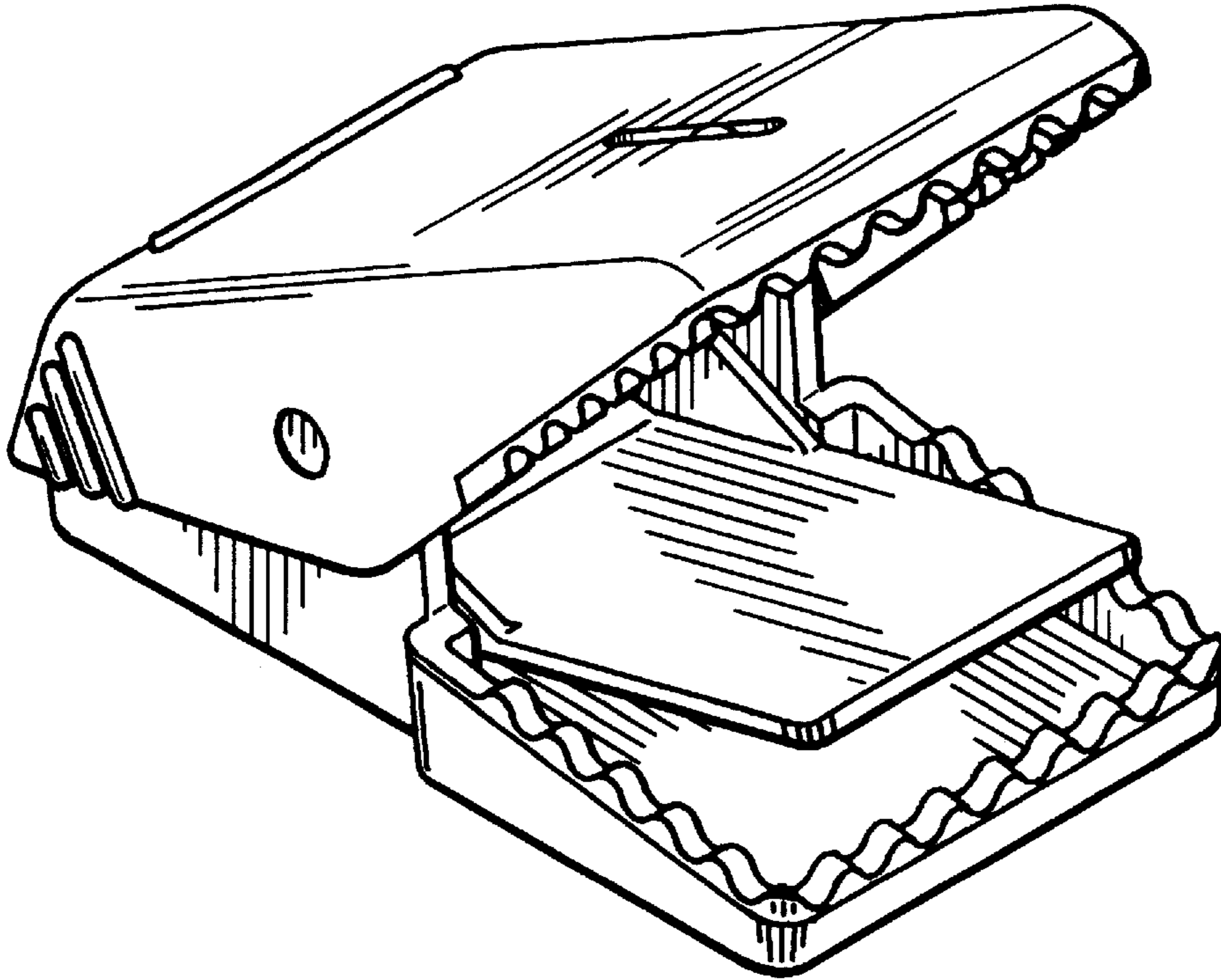
The ornamental design for a rodent trap, as shown and described.

**DESCRIPTION**

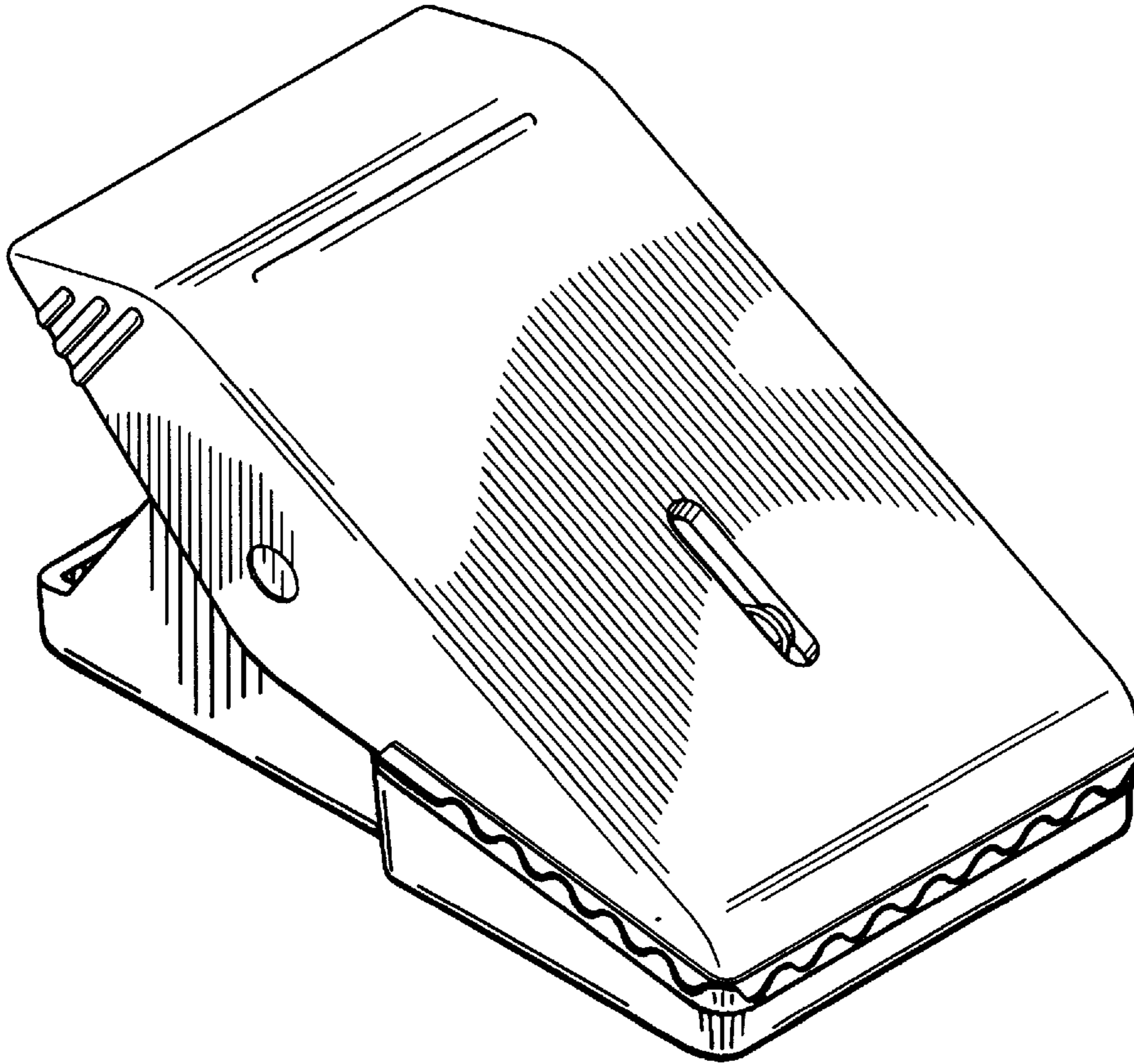
FIG. 1 is an isometric view of the rodent trap of this invention in an open configuration;  
 FIG. 2 is an isometric view thereof in a closed configuration;  
 FIG. 3 is a front elevational view thereof in an open configuration;  
 FIG. 4 is a rear elevational view thereof;  
 FIG. 5 is a left side elevational view thereof, the right side elevational view being a mirror image thereof;  
 FIG. 6 is a top plan view thereof; and,  
 FIG. 7 is a bottom plan view thereof.

**1 Claim, 3 Drawing Sheets**

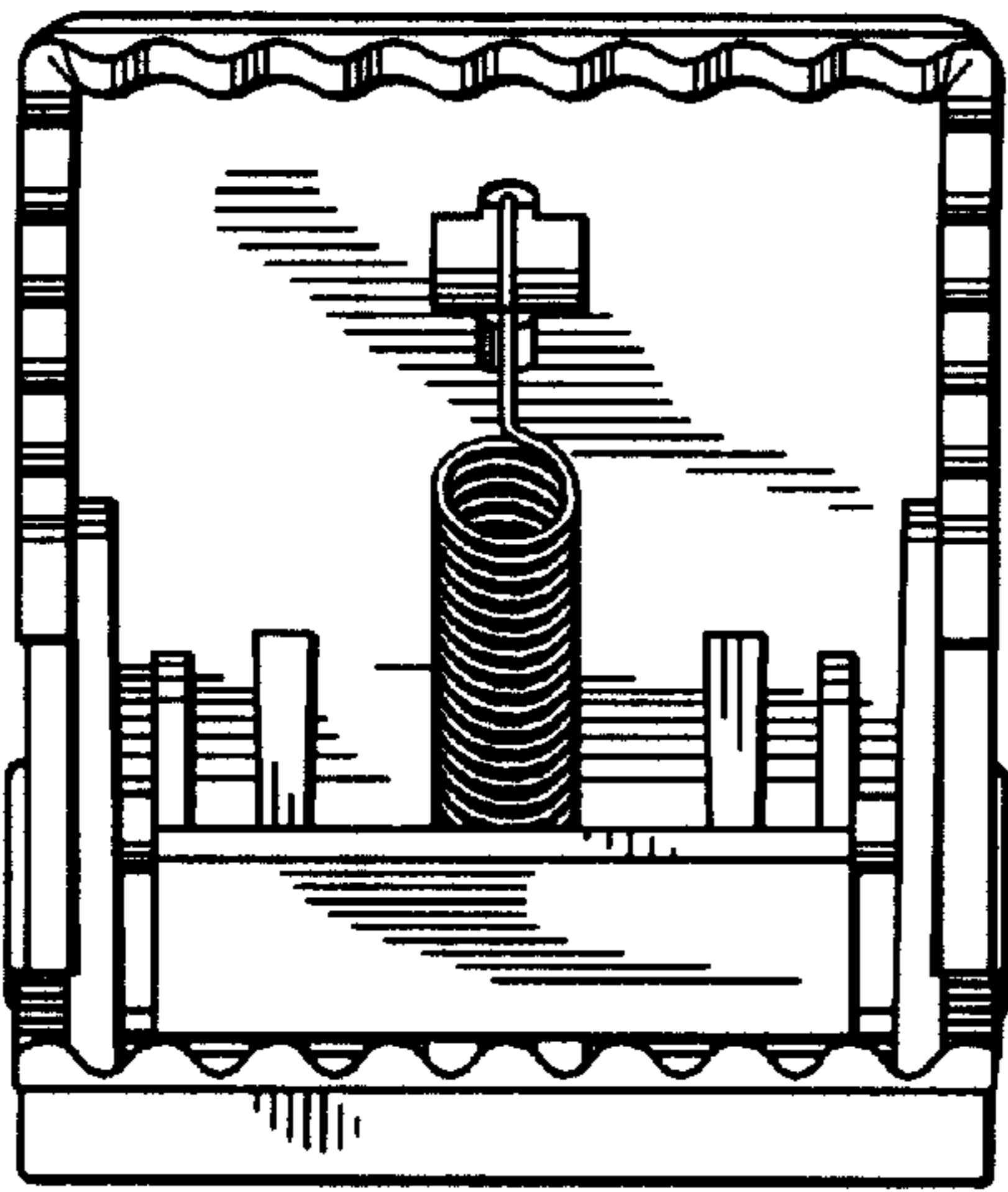




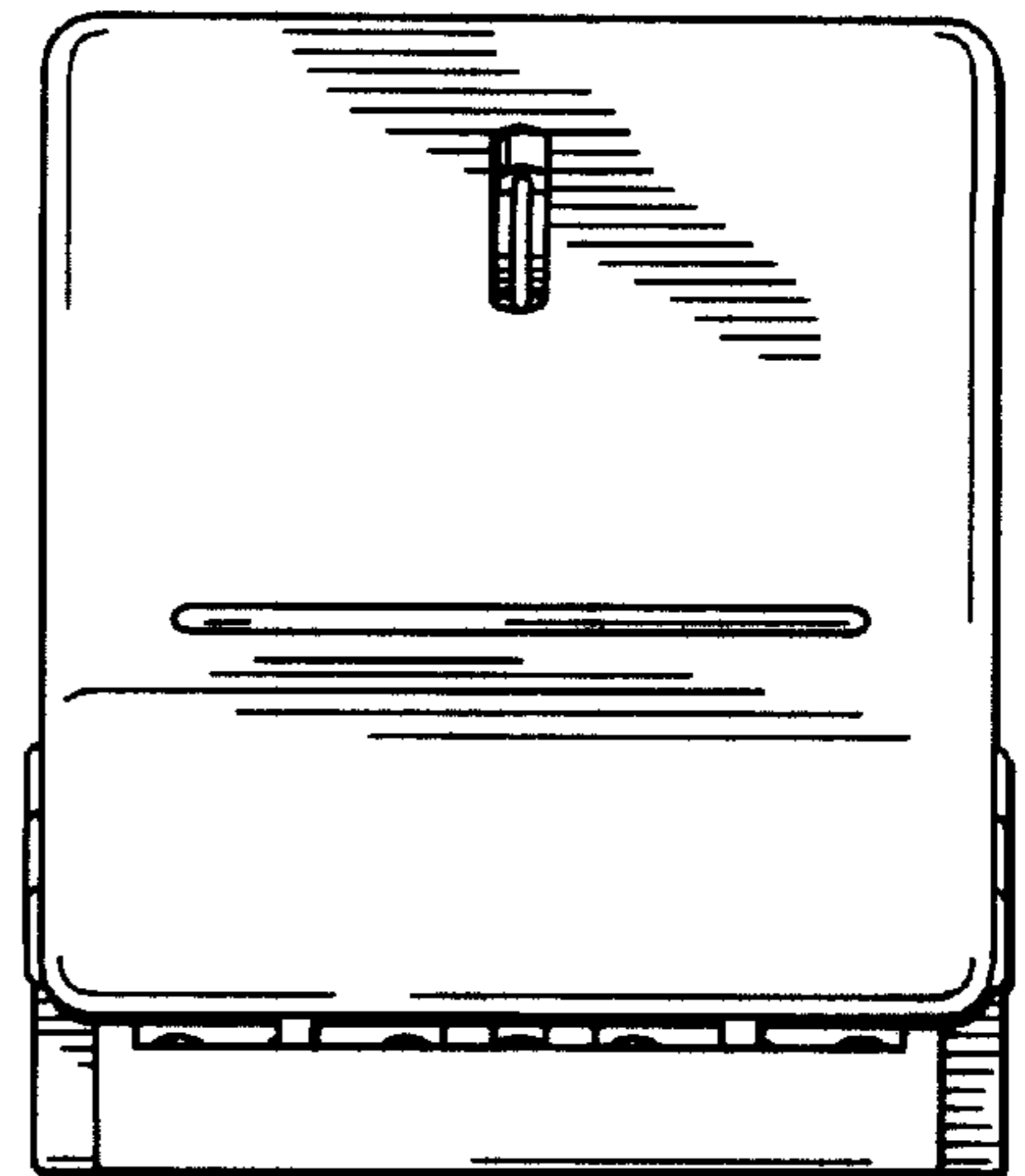
**FIG. 1**



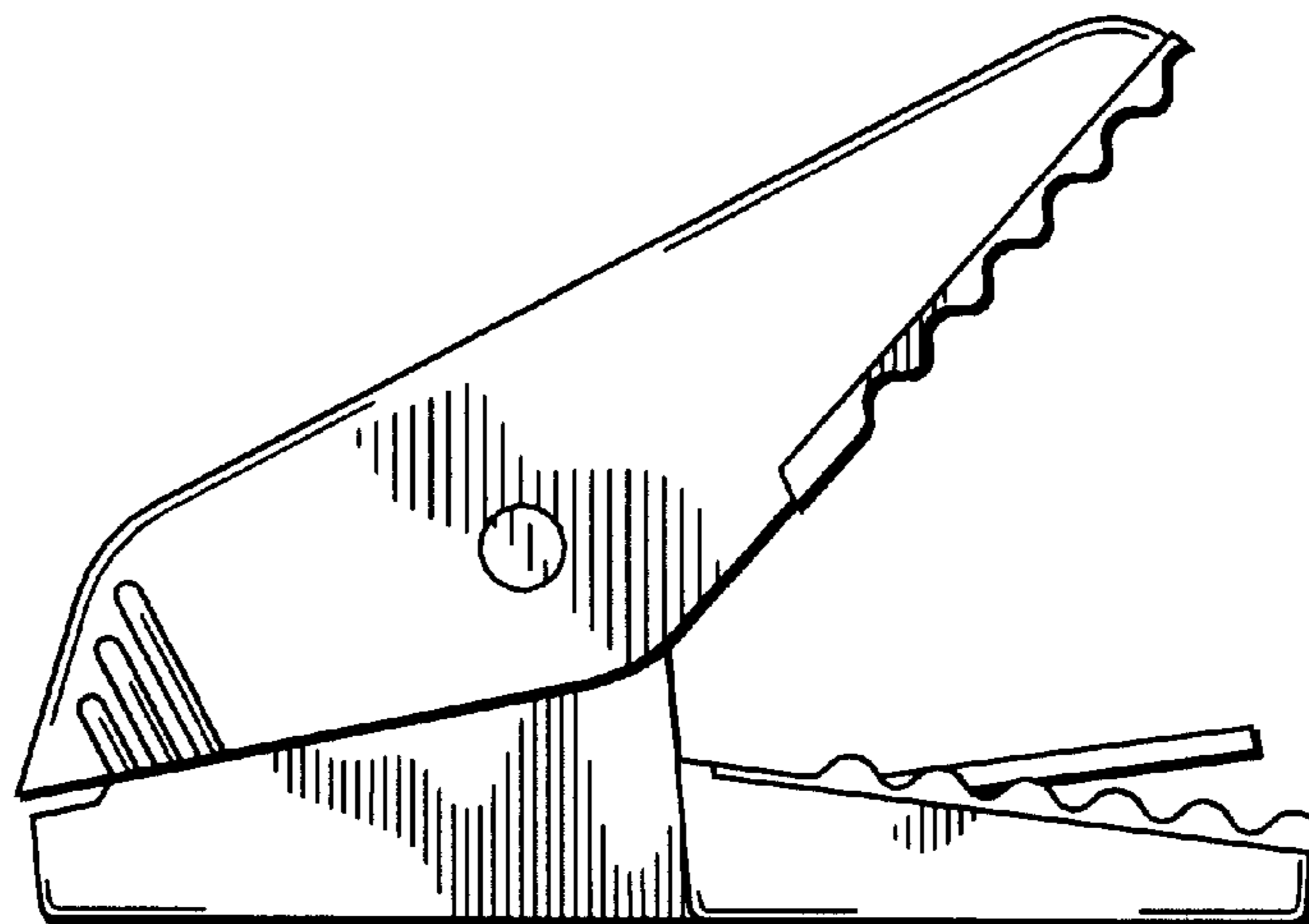
**FIG. 2**



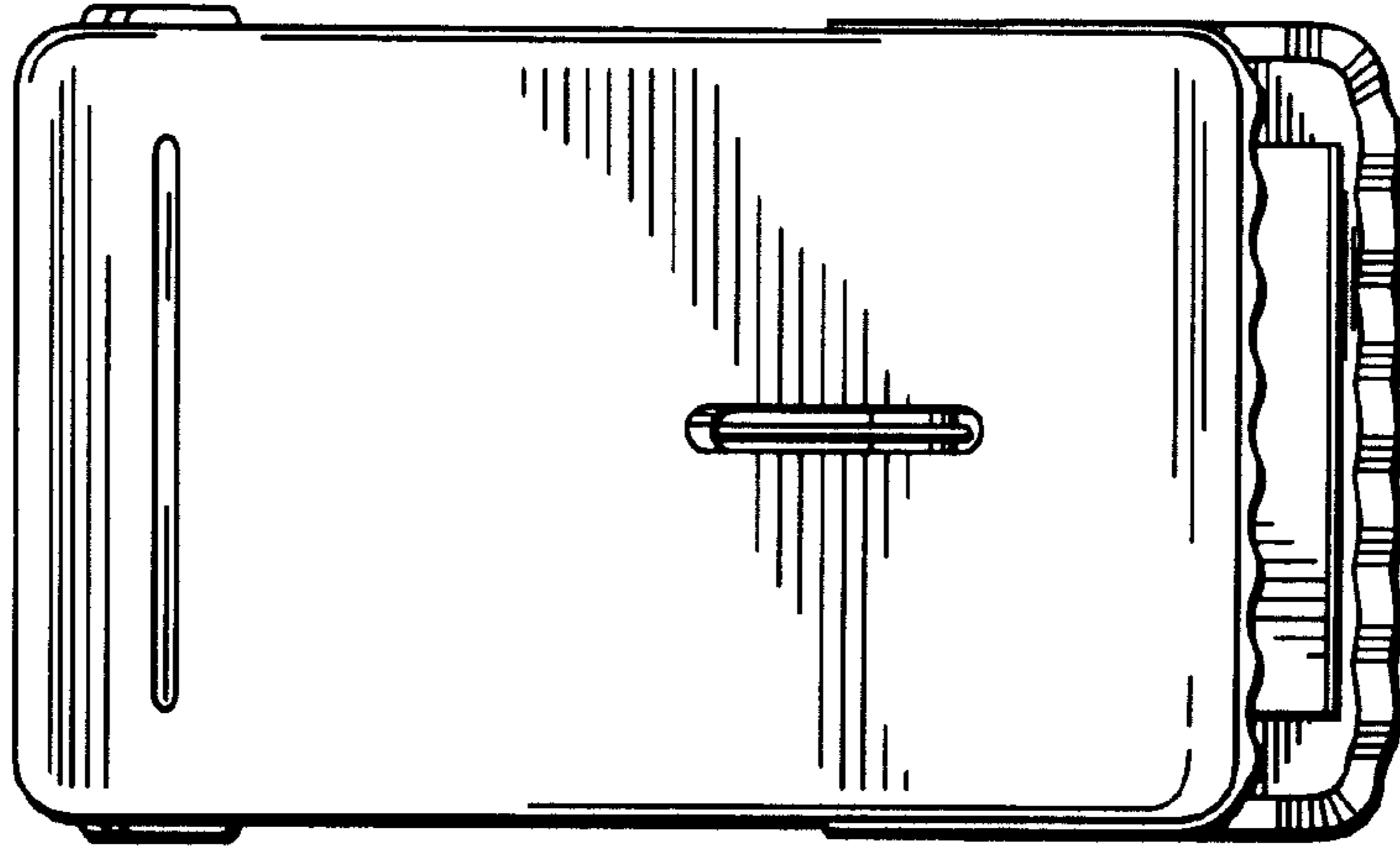
**FIG. 3**



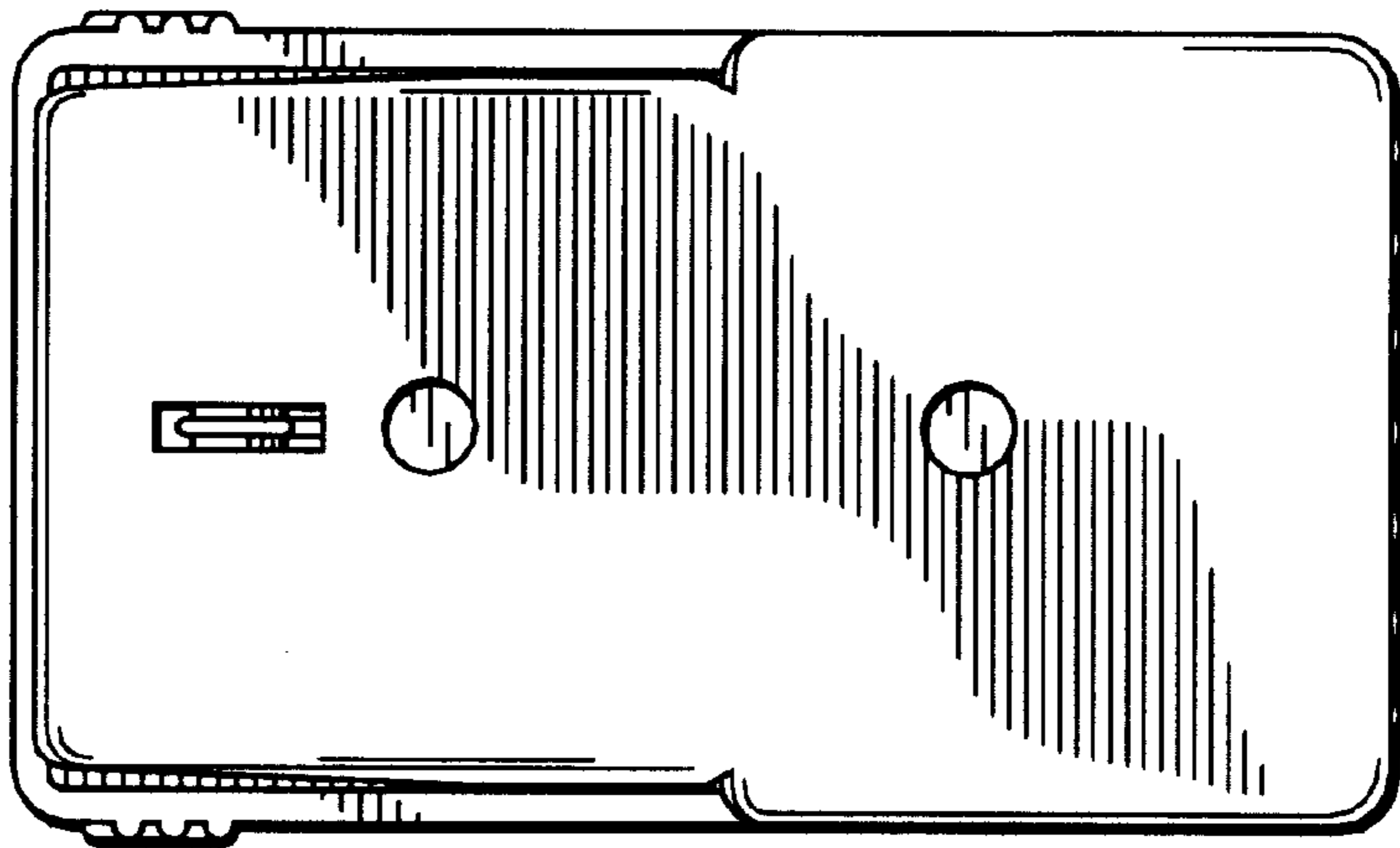
**FIG. 4**



**FIG. 5**



**FIG. 6**



**FIG. 7**