



US00D441825S

(12) **United States Design Patent**
Han

(10) **Patent No.:** **US D441,825 S**

(45) **Date of Patent:** **** May 8, 2001**

(54) **SLIDE**

D. 424,138 * 5/2000 Joyner D21/820
D. 429,306 * 8/2000 Addleman D21/818

(75) Inventor: **Sang Nam Han**, Pusan (KR)

* cited by examiner

(73) Assignee: **Haenim Toys Corp.**, Pusan (KR)

Primary Examiner—Mitchell Siegel

(**) Term: **14 Years**

(74) *Attorney, Agent, or Firm*—Merchant & Gould P.C.

(21) Appl. No.: **29/122,310**

(57) **CLAIM**

(22) Filed: **Apr. 25, 2000**

The ornamental design for a slide, as shown.

(51) **LOC (7) Cl.** **21-03**

DESCRIPTION

(52) **U.S. Cl.** **D21/820**

FIG. 1 is a perspective view of a slide;

(58) **Field of Search** D21/818-822;

FIG. 2 is a front elevational view thereof;

472/116, 117

FIG. 3 is a rear elevational view thereof;

FIG. 4 is a left side view thereof;

FIG. 5 is a right side view thereof;

FIG. 6 is a top plan view thereof; and,

FIG. 7 is a bottom plan view thereof.

(56) **References Cited**

U.S. PATENT DOCUMENTS

- D. 73,478 * 9/1927 Bezark D21/820
- D. 130,761 * 12/1941 Oermann D21/820
- D. 207,716 * 5/1967 Accorsi D21/820

1 Claim, 4 Drawing Sheets

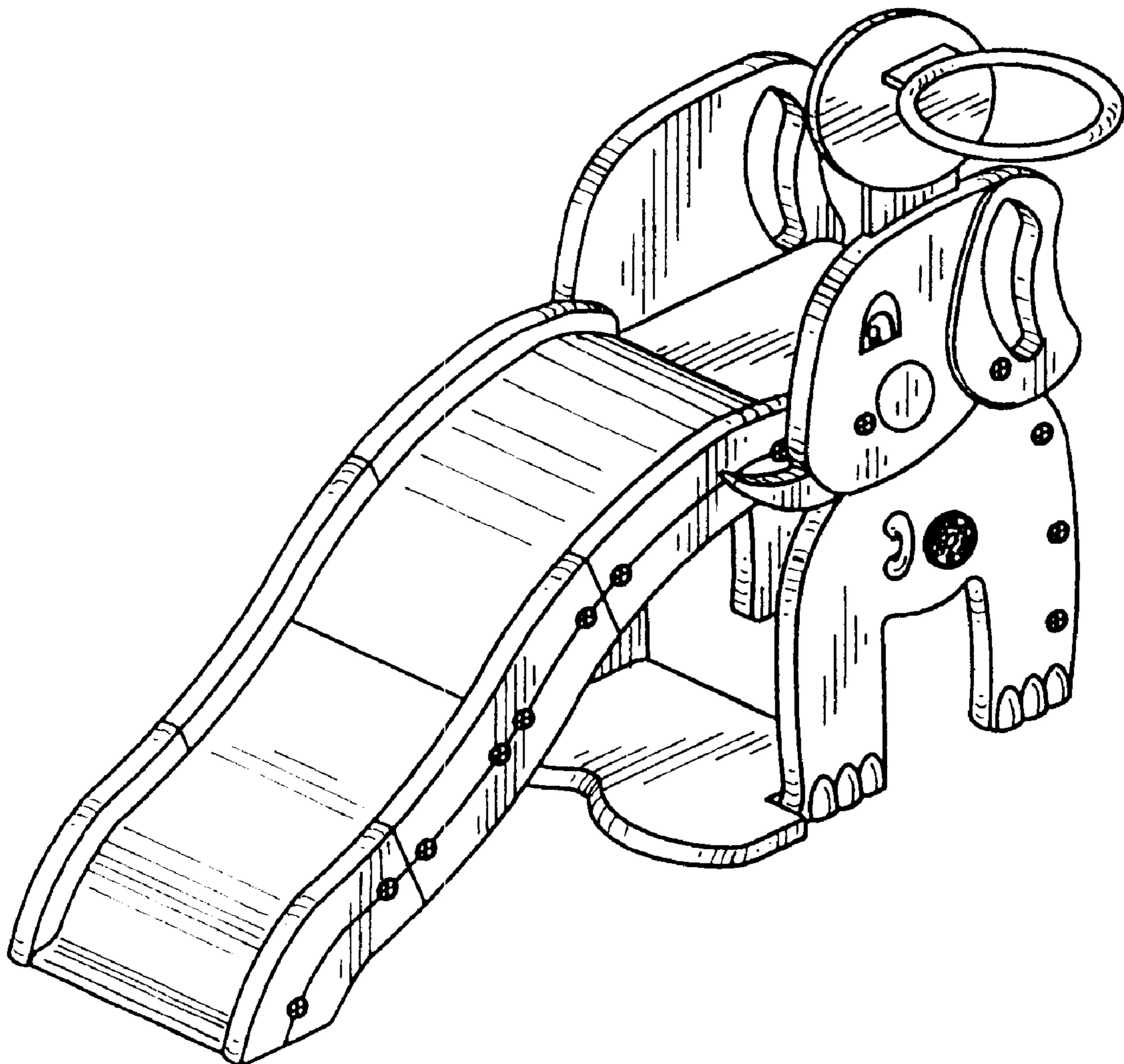


Fig. 1

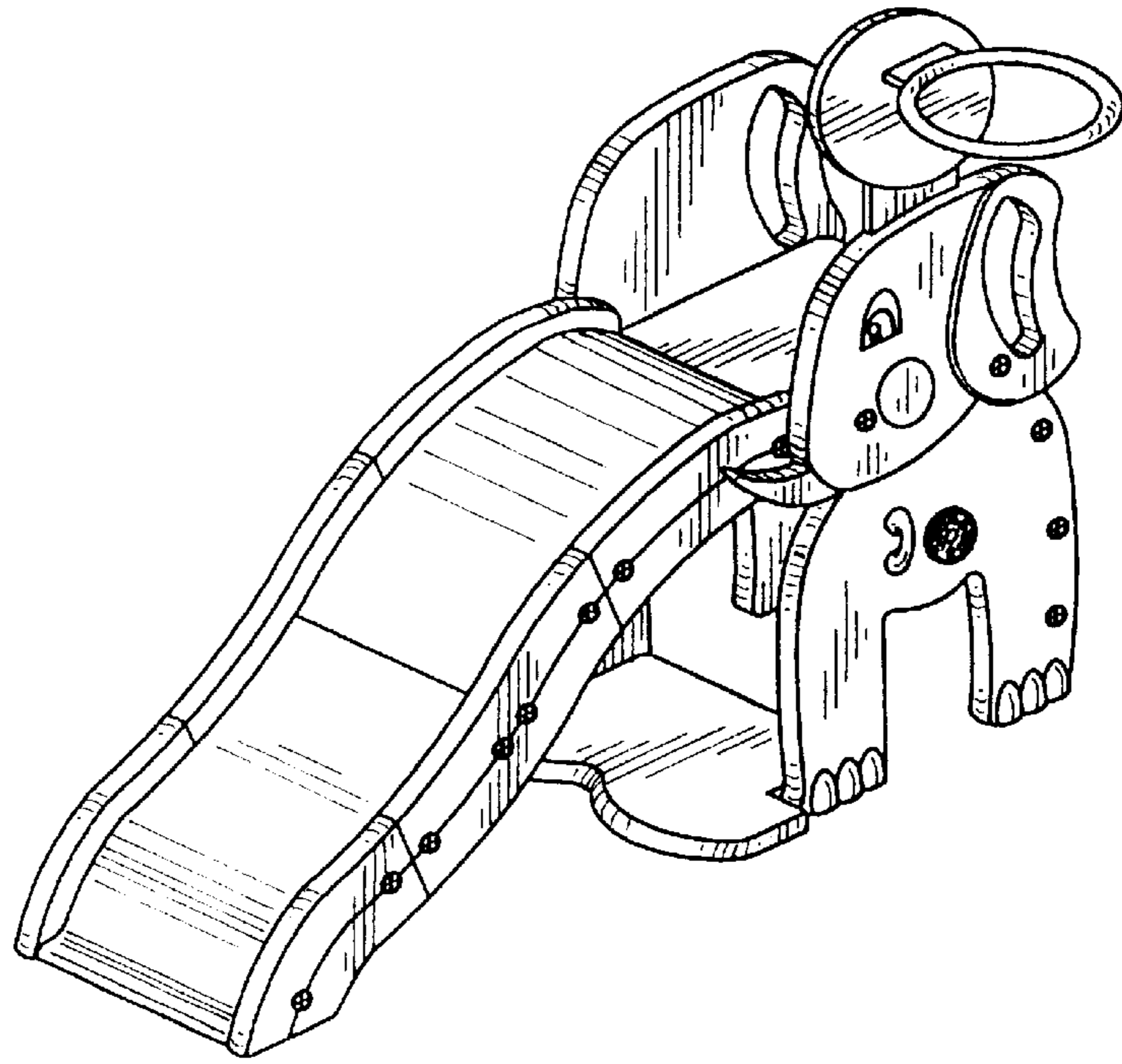


Fig. 2

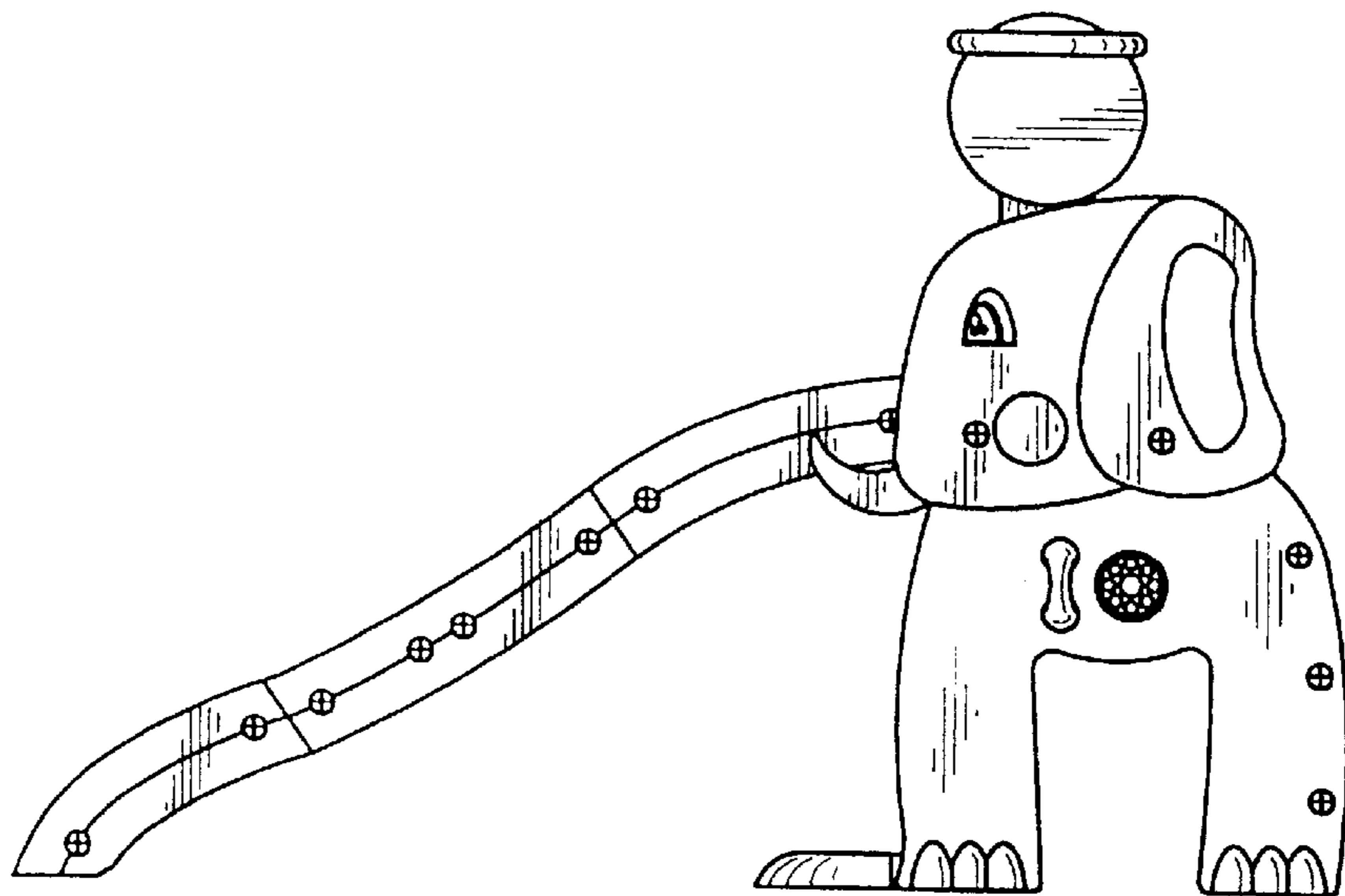


Fig. 3

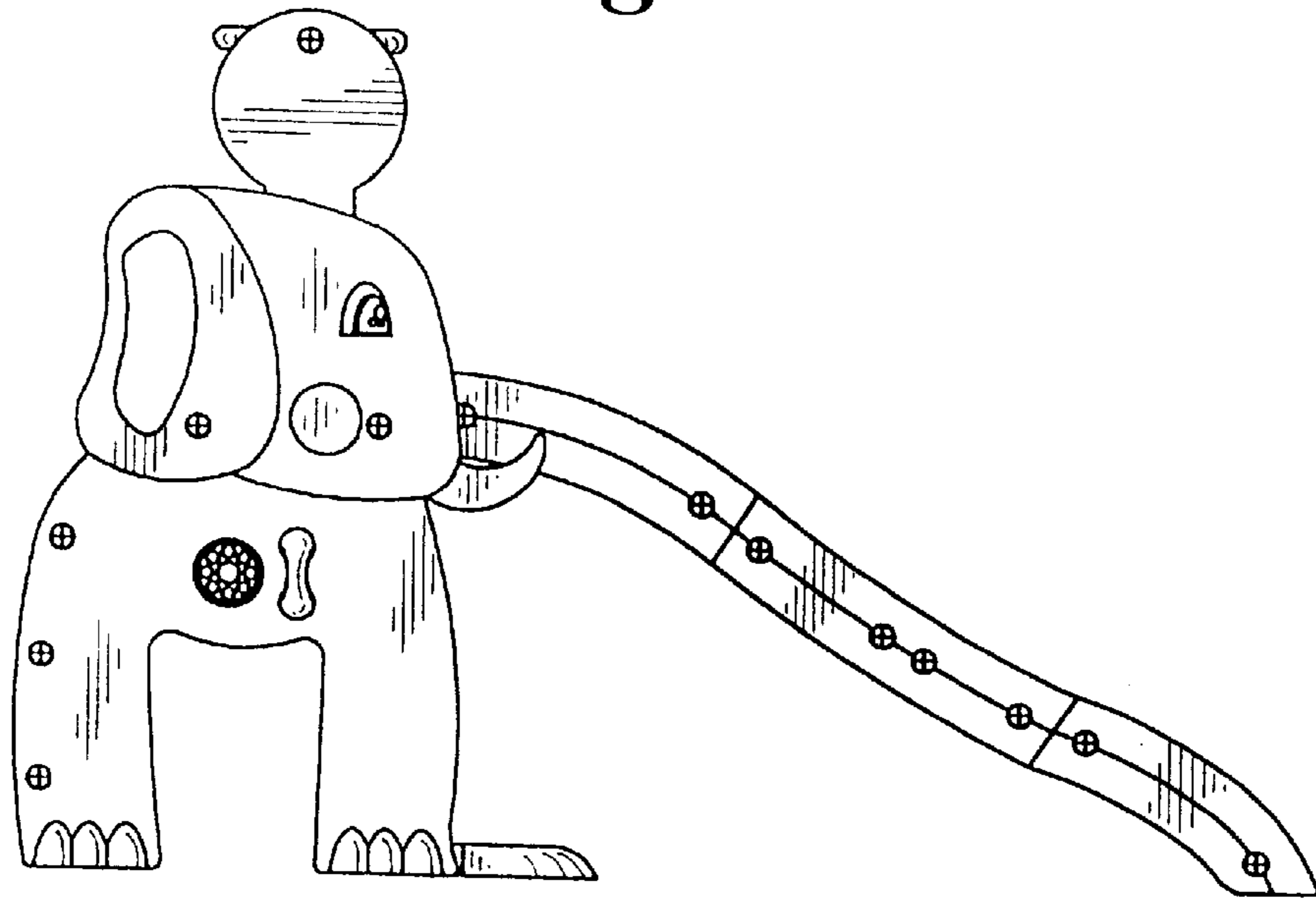


Fig. 4

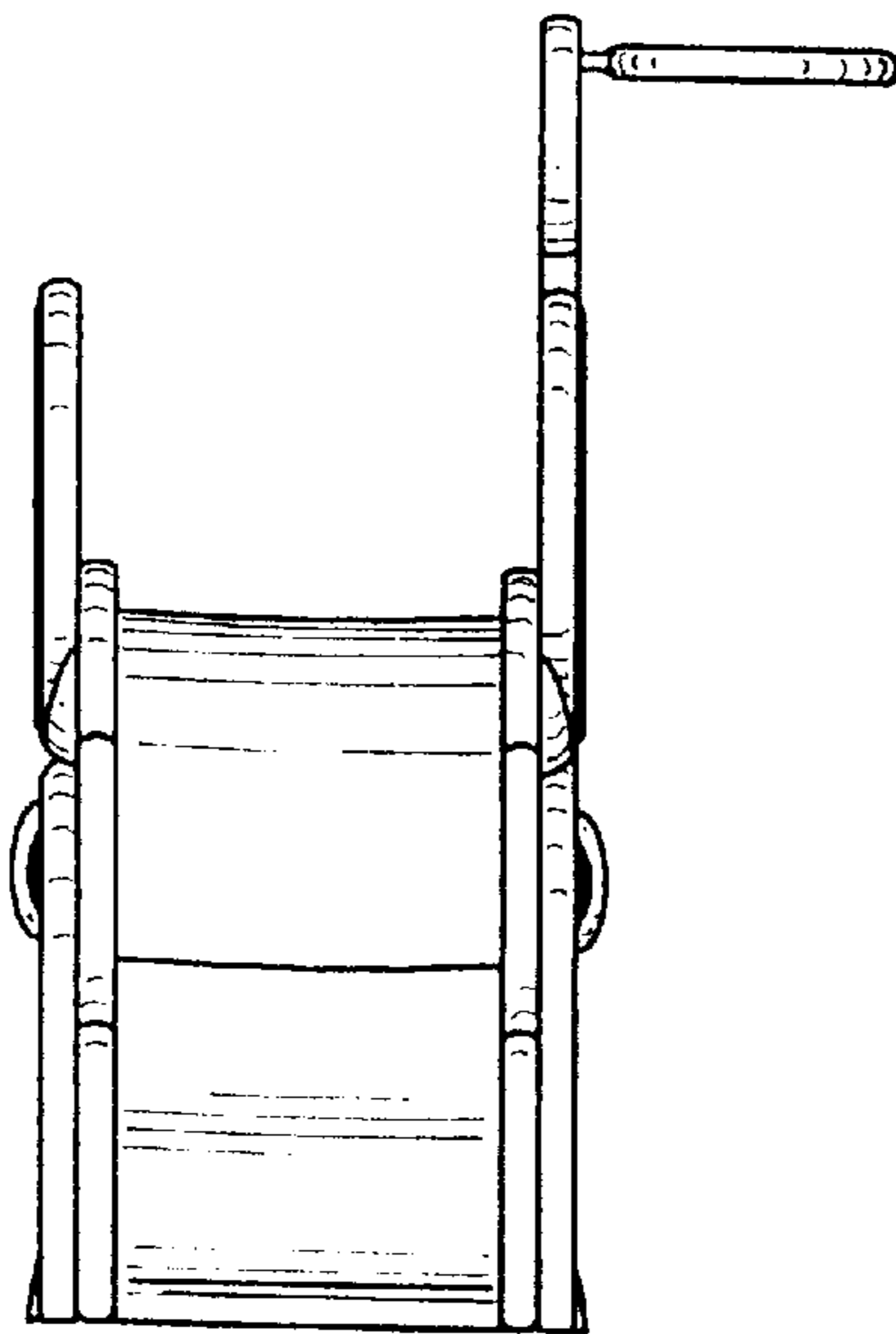


Fig. 5

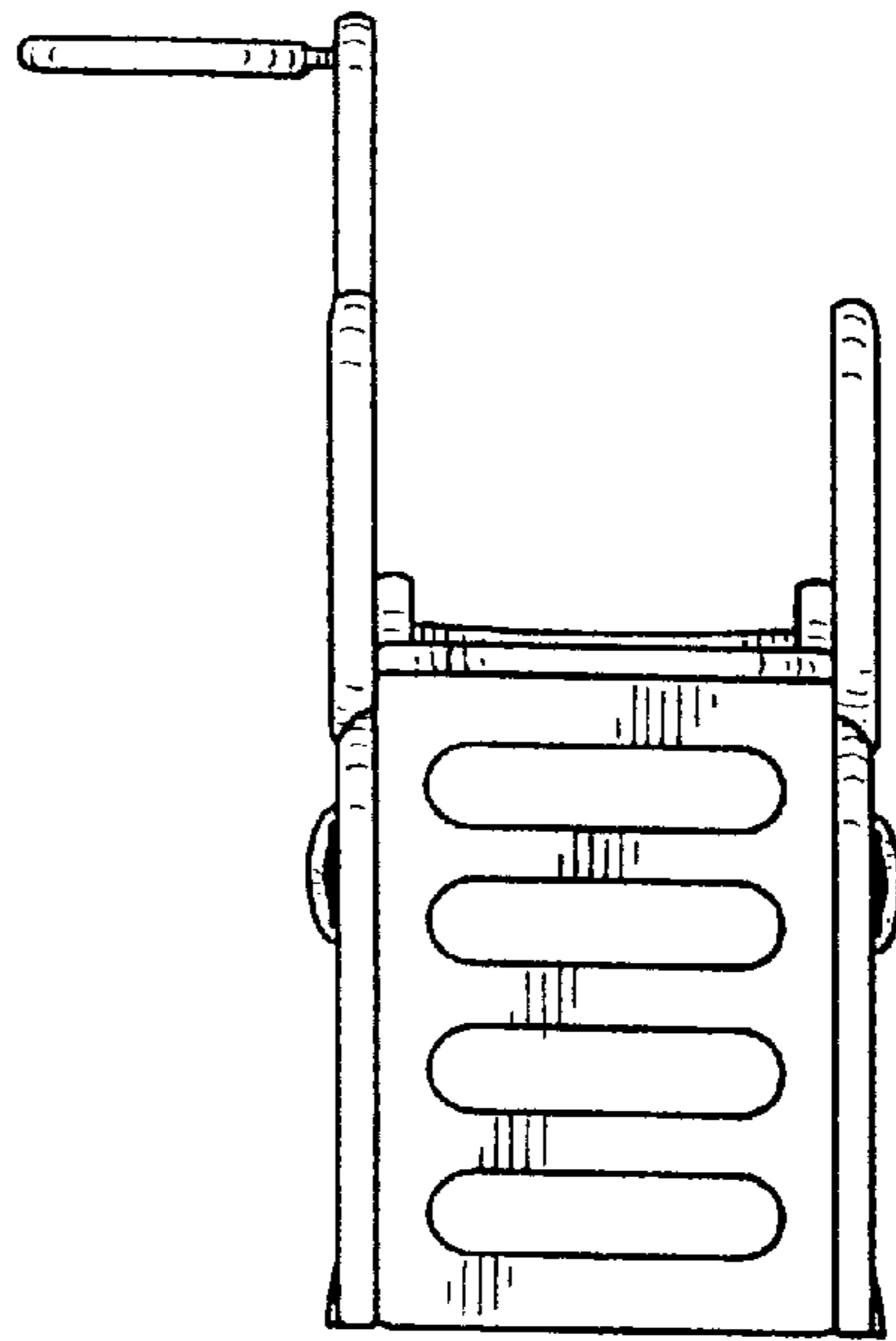


Fig. 6

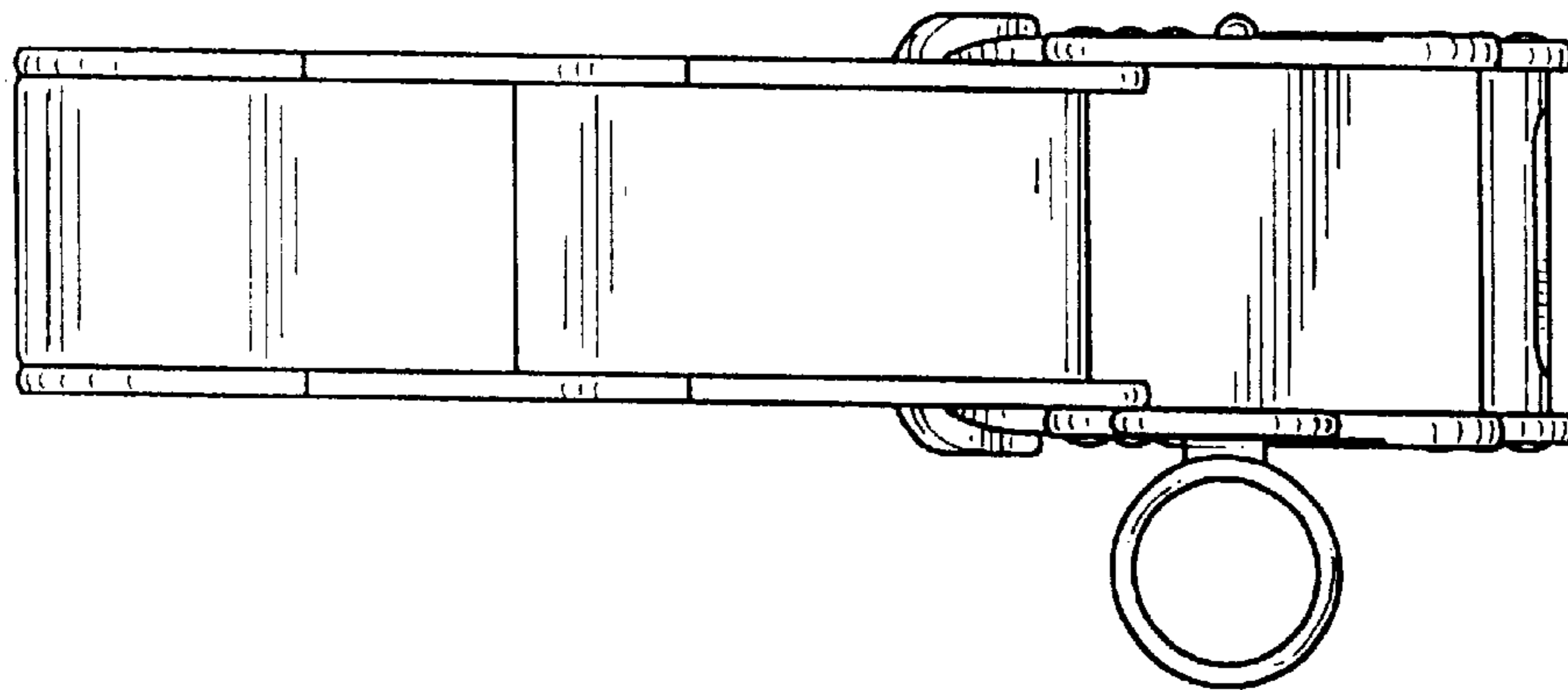


Fig. 7

